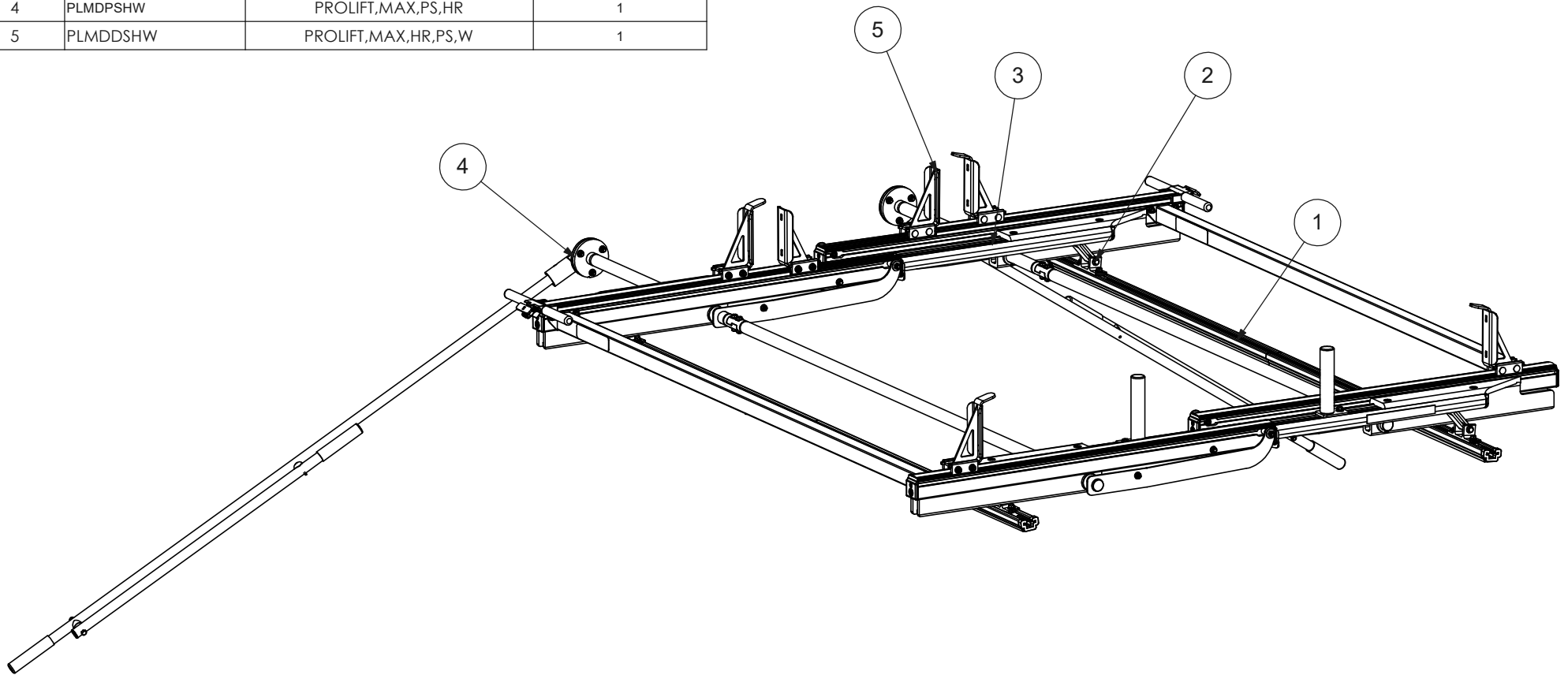


ITEM NO.	PART NUMBER	DESCRIPTION	QTY.
1	RRKFT	ROOF RAIL KIT FT FSV	1
2	URMBK4W	UTILITY,MNT BKT KT,RAIL,4W, WHITE	1
3	2BARCW	2BAR UTILITY RACK, CV, W	1
4	PLMDPSHW	PROLIFT,MAX,PS,HR	1
5	PLMDDSHW	PROLIFT,MAX,HR,PS,W	1



THIS DRAWING IS THE PROPERTY OF ADRIAN STEEL COMPANY AND IS NOT TO BE USED IN ANY MANNER DETRIMENTAL TO THE INTERESTS OF ADRIAN STEEL COMPANY

PRINTED DOCUMENT IS UNCONTROLLED

Sheet 1 of 1

TOLERANCES & INSPECTION

RELEASE & REVISIONS

MATERIAL & FINISH

PART / PRODUCT IDENTIFICATION

UNLESS OTHERWISE SPECIFIED
 ALL BEND ANGLES ARE 90 DEGREES
 ALL DIMENSIONS ARE IN INCHES.
 REFERENCE DIMENSIONS (X.XXX)
 DO NOT REQUIRE INSPECTION

FEATURES	HOLES/SLOTS	ANGLES
0.0 = ± .125	0.0 = ± .062	0° = ± 2°
0.00 = ± .062	0.00 = ± .031	0.0° = ± 1°
0.000 = ± .031	0.000 = ± .015	

Material Thickness: per ASTM Std.
 Weld Callouts per AWS

INITIAL ECN: **22817**

CURRENT ECN: **22817**

ECN DESCRIPTION:
RELEASE FOR PRODUCTION

REVISED BY:

MECHANICAL FINISHING:
N/A

PRIMER: **N/A**

FINAL FINISH: **NONE NONE**

Paint Weight: N/A

MATERIAL TYPE: **ASSM**

ADRIAN STEEL ADRIAN STEEL COMPANY 906 JAMES STREET, ADRIAN, MI 49221		REVISION LEVEL A
MAT'L USED: ASSM	DESIGNED BY: B.Southward	
DESCRIPTION: DUAL SIDED MAX DROP DOWN TRANSIT HIGH ROOF		
WEIGHT (Lbs.): 194.98	SEGMENT CODE: VLR	PART NUMBER: PLM63TH