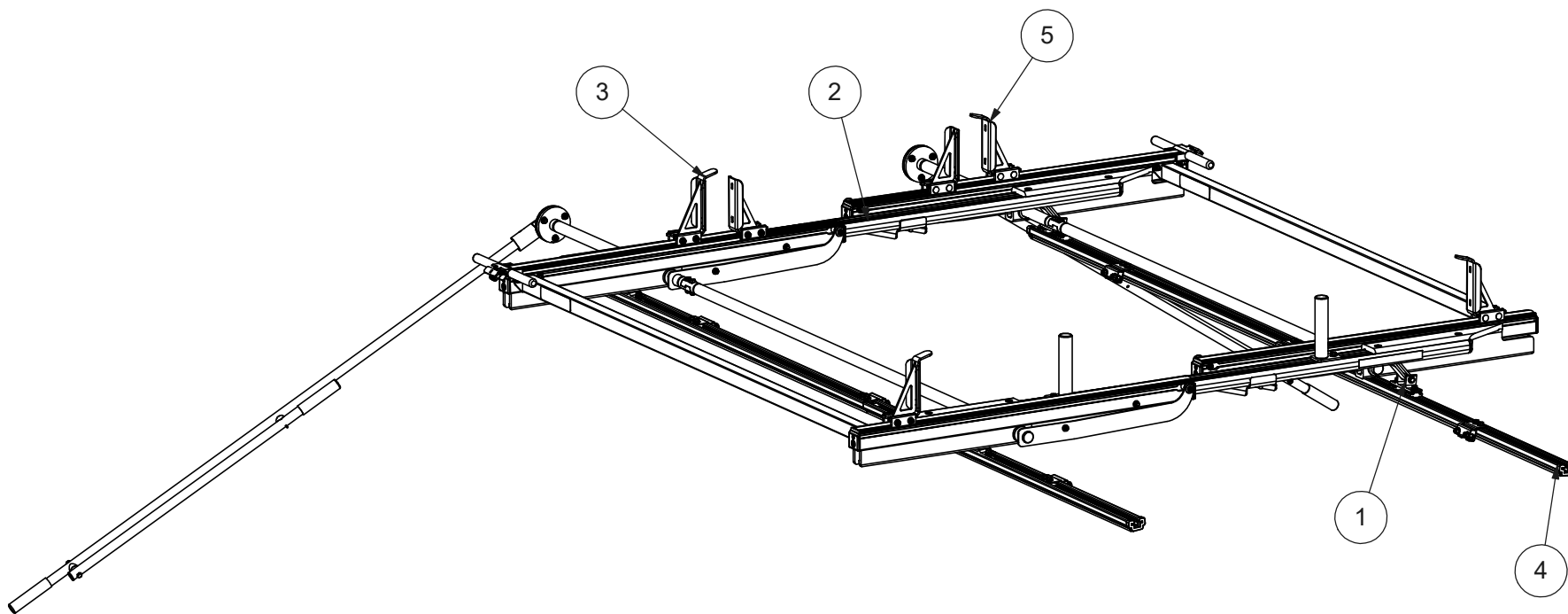


ITEM NO.	PART NUMBER	DESCRIPTION	QTY.
1	URMBK4W	UTILITY,MNT BKT KT,RAIL,4W	1
2	2BARW	2-BAR CROSS SUPPORTS	1
3	PLMDPSHW	PROLIFT,MAX,PS,HR	1
4	RRKPM136WB	ROOF RAIL KIT, PROMASTER 136WB	1
5	PLMDDSHW	PROLIFT,MAX,HR,PS,W	1



THIS DRAWING IS THE PROPERTY OF ADRIAN STEEL COMPANY AND IS NOT TO BE USED IN ANY MANNER DETRIMENTAL TO THE INTERESTS OF ADRIAN STEEL COMPANY

PRINTED DOCUMENT IS UNCONTROLLED

Sheet 1 of 1

**TOLERANCES & INSPECTION**

**RELEASE & REVISIONS**

**MATERIAL & FINISH**

**PART / PRODUCT IDENTIFICATION**

UNLESS OTHERWISE SPECIFIED  
 ALL BEND ANGLES ARE 90 DEGREES  
 ALL DIMENSIONS ARE IN INCHES.  
 REFERENCE DIMENSIONS (X.XXX)  
 DO NOT REQUIRE INSPECTION

FEATURES	HOLES/SLOTS	ANGLES
0.0 = ± .125	0.0 = ± .062	0° = ± 2°
0.00 = ± .062	0.00 = ± .031	0.0° = ± 1°
0.000 = ± .031	0.000 = ± .015	

Material Thickness: per ASTM Std.  
 Weld Callouts per AWS

INITIAL ECN: **22817**

CURRENT ECN: **22817**

ECN DESCRIPTION:  
**Release for Production**

REVISED BY:

MECHANICAL FINISHING:  
**N/A**

PRIMER: **N/A**

FINAL FINISH: **NONE**      **NONE**

**Paint Weight: N/A**

MATERIAL TYPE: **ASSM**

<b>ADRIAN STEEL</b> <small>ADRIAN STEEL COMPANY          906 JAMES STREET, ADRIAN, MI 49221</small>		REVISION LEVEL
		<b>A</b>
MAT'L USED: <b>ASSM</b>	DESIGNED BY: <b>B.Southward</b>	
DESCRIPTION: <b>Dual Sided Max-Drop Prolift PM HR136</b>		
WEIGHT (Lbs.): <b>216.32</b>	SEGMENT CODE: <b>VLR</b>	PART NUMBER: <b>PLM63PH136</b>