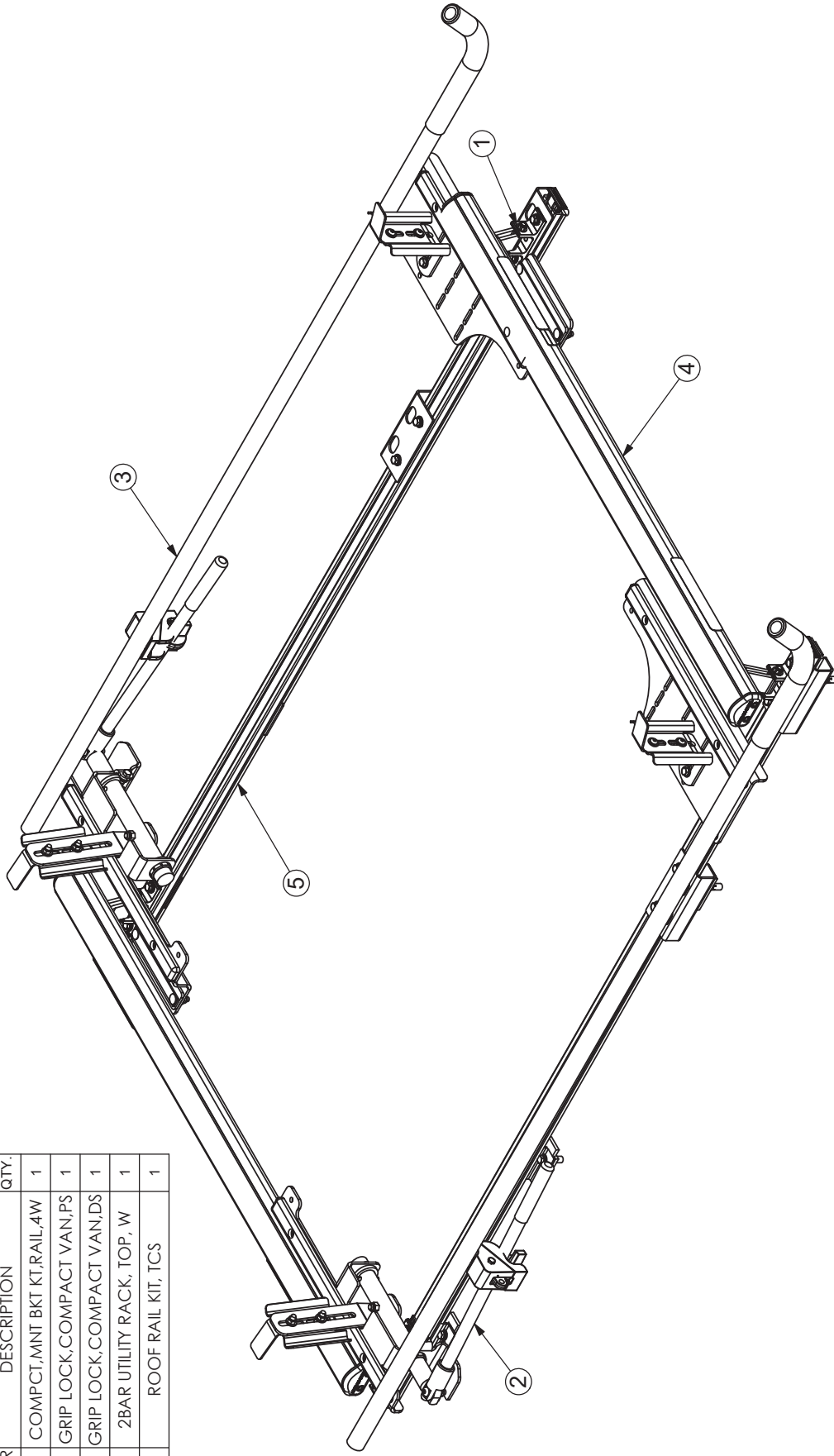


ITEM NO.	PART NUMBER	DESCRIPTION	QTY.
1	CRMBK4W	COMPCT.MNT BKT KT.RAIL,4W	1
2	GL-CVPS	GRIP LOCK.COMPACT VAN,PS	1
3	GL-CVDS	GRIP LOCK.COMPACT VAN,DS	1
4	2BARTOPW	2BAR UTILITY RACK, TOP, W	1
5	RRKTCS	ROOF RAIL KIT, TCS	1



THIS DRAWING IS THE PROPERTY OF ADRIAN STEEL COMPANY AND IS NOT TO BE USED IN ANY MANNER
DETRIMENTAL TO THE INTERESTS OF ADRIAN STEEL COMPANY

PRINTED DOCUMENT IS UNCONTROLLED

Sheet 1 of 1

TOLERANCES & INSPECTION

UNLESS OTHERWISE SPECIFIED
 ALL BEND ANGLES ARE 90 DEGREES
 ALL DIMENSIONS ARE IN INCHES.
 REFERENCE DIMENSIONS (X.XXX)
 DO NOT REQUIRE INSPECTION

FEATURES	HOLE(S)/SLOTS	ANGLES
0.0 ± .125	0.0 ± .062	0° ± 2°
0.00 ± .062	0.00 ± .031	0.0° ± 1°
0.000 ± .031	0.000 ± .015	

Material Thickness: per ASTM Std.
 Weld Callouts per AWS

RELEASE & REVISIONS

INITIAL ECN: 26547
 CURRENT ECN: 26547
 ECN DESCRIPTION:
RELEASE FOR PRODUCTION

REVISED BY: N/A

MATERIAL & FINISH

MECHANICAL FINISHING:
 N/A

PRIMER: N/A

FINAL FINISH: NONE

Paint Weight: N/A

MATERIAL TYPE: ASSM

PART / PRODUCT IDENTIFICATION

ADRIAN STEEL®
 ADRIAN STEEL COMPANY
 906 JAMES STREET, ADRIAN, MI 49221

MAT'L USED: ASSM

DESIGNED BY: E. Willnow

DESCRIPTION: Dual Sided Grip Lock TCS 105"WB

WEIGHT (Lbs.): 155.665

SEGMENT CODE: VLR

PART NUMBER: GL63TCS

REVISION LEVEL
A