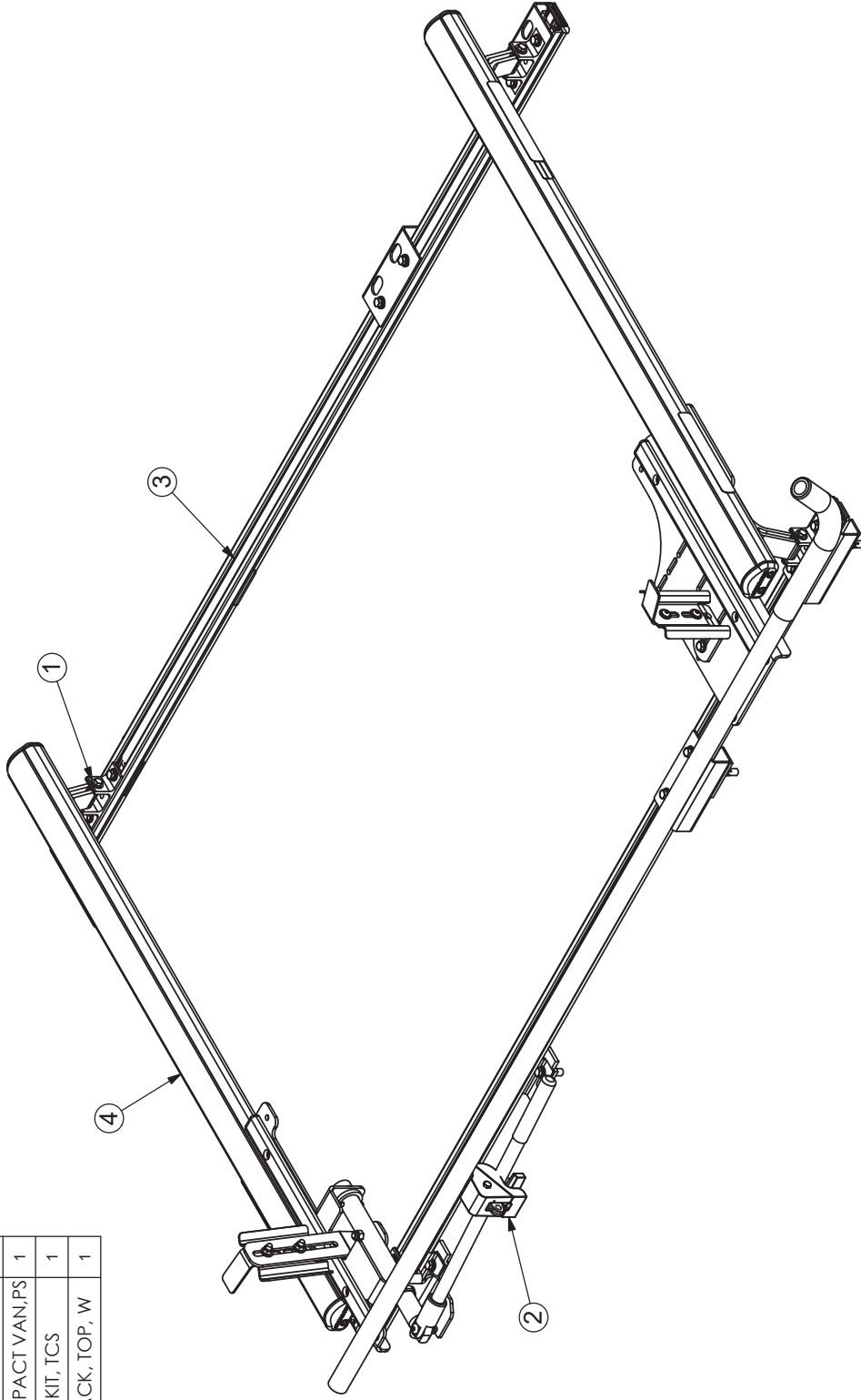


ITEM NO.	PART NUMBER	DESCRIPTION	QTY.
1	CRMBK4W	COMPCT,MNT BKT KT,RAIL,4W	1
2	GL-CVPS	GRIP LOCK,COMPACT VAN,PS	1
3	RRKTCS	ROOF RAIL KIT, TCS	1
4	2BARTOPW	2BAR UTILITY RACK, TOP, W	1



THIS DRAWING IS THE PROPERTY OF ADRIAN STEEL COMPANY AND IS NOT TO BE USED IN ANY MANNER  
DETRIMENTAL TO THE INTERESTS OF ADRIAN STEEL COMPANY

PRINTED DOCUMENT IS UNCONTROLLED

Sheet 1 of 1

**TOLERANCES & INSPECTION**

UNLESS OTHERWISE SPECIFIED  
 ALL BEND ANGLES ARE 90 DEGREES  
 ALL DIMENSIONS ARE IN INCHES.  
 REFERENCE DIMENSIONS (X.XXX)  
 DO NOT REQUIRE INSPECTION

FEATURES	HOLE(S)/LOTS	ANGLES
0.0 ± .125	0.0 ± .062	0° ± 2°
0.00 ± .062	0.00 ± .031	0.0° ± 1°
0.000 ± .031	0.000 ± .015	

Material Thickness: per ASTM Std.  
 Weld Callouts per AWS

**RELEASE & REVISIONS**

INITIAL ECN: 26547  
 CURRENT ECN: 26547  
 ECN DESCRIPTION:  
**RELEASE FOR PRODUCTION**

REVISED BY: N/A

**MATERIAL & FINISH**

MECHANICAL FINISHING:  
 N/A

PRIMER: N/A

FINAL FINISH: NONE

Paint Weight: N/A

MATERIAL TYPE: ASSM

**PART / PRODUCT IDENTIFICATION**

**ADRIAN STEEL®**  
 ADRIAN STEEL COMPANY  
 906 JAMES STREET, ADRIAN, MI 49221

MAT'L USED: ASSM

DESIGNED BY: E. Willnow

DESCRIPTION: Single Grip Lock TCS 105"WB

WEIGHT (lbs.): 120.255

SEGMENT CODE: VLR

PART NUMBER: GL61TCS

REVISION LEVEL  
**A**