



**ADRIAN STEEL®**

Cargo Management Solutions for Commercial Vehicles

## **HVAC PUMP STORAGE**

*PRODUCT WEIGHT*

**4.6 LBS**

*WIDTH X DEPTH X HEIGHT*

**15.72" X 6.72" X 4.0"**

*CAPACITY*

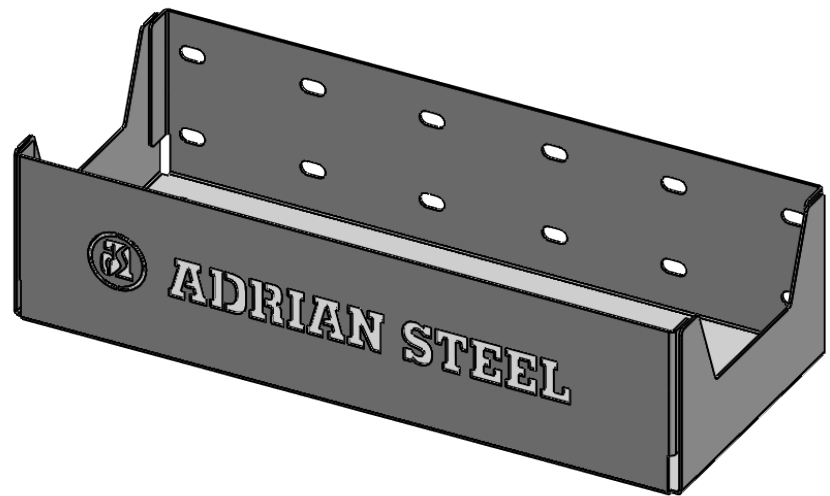
**20 LBS**

*COLOR*

**GRAY**

*CATALOG NUMBER*

**VPH1**



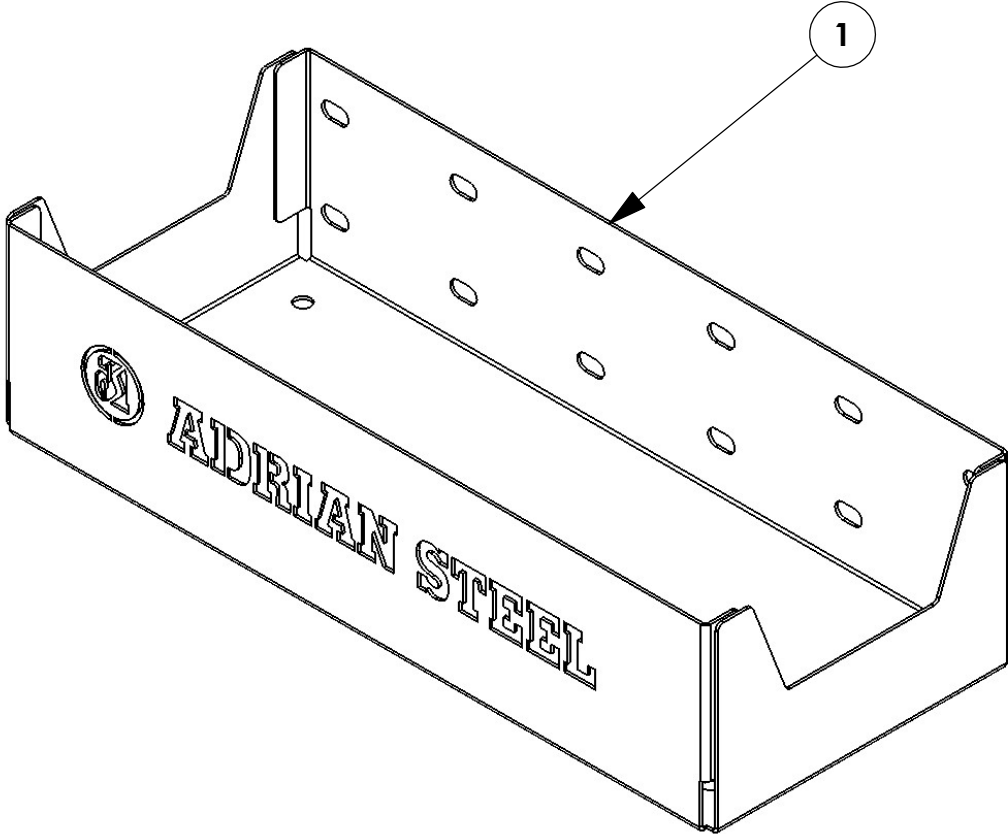
### **PRODUCT FEATURES**

***USED TO STORE THE HVAC PUMP IN A SAFE PLACE THAT PROTECTS THE PUMP FROM DAMAGE***

***THIS UNIT WILL MOUNT IN ANY VEHICLE THAT ALLOWS FOR SPACE, OR ON A END PANEL, FLOOR OR ANYWHERE ELSE THAT ALLOWS ROOM FOR MOUNTING. IS COMPATIBLE WITH NEXT GENERATION SHELVING.***

**SEE PAGE 2 FOR APPLICATION NOTES, ACCESSORIES AND OTHER PRODUCTS THAT WORK WITH THIS UNIT.**

<i>INSTR. NUMBER</i> : <b>69804</b>	<i>PG:</i> <b>1</b>	<i>REV:</i> <b>B</b>	<i>ITEM NO.</i>	<i>PART NUMBER</i>	<i>DESCRIPTION</i>	<i>QTY.</i>
			1	69802-G	HVAC PUMP STORAGE, GRAY	1
<i>PART NUMBER</i> : <b>69802-G</b>						
<i>PART DESC.</i> : HVAC PUMP STORAGE, GRAY						



**GET TO KNOW THE VEHICLE** - AT THE BEGINNING OF ANY INSTALLATION, CHECK THE LOCATION OF THE FUEL TANK, FUEL LINES, BRAKE LINES, HIGH VOLTAGE BATTERIES AND WIRING HARNESSSES TO AVOID INJURY OR PROPERTY DAMAGE FROM TOOL CONTACT.

**SEAL ALL EXTERIOR HOLES** - ALL INSTALLATION HOLES SHOULD BE SEALED WITH BUTYL TAPE OR SILICON TO PREVENT WATER AND EXHAUST GASES FROM ENTERING THE VEHICLE.

**CONTROL DRILL DEPTH** - TO AVOID DAMAGE TO THE VEHICLE, USE A DRILL STOP OR CLEARED STEP BIT WHEN DRILLING INSTALLATION HOLES.

**ALWAYS ADD PRIMER** - WHEN ADDING INSTALLATION HOLES BE SURE TO USE A SELF-ETCHING PRIMER TO PREVENT CORROSION, FASTENER FAILURE AND INJURY.

**MOUNTING POINTS MUST HAVE METAL-TO-METAL CONTACT** - USE PROVIDED MOUNTING SPACERS TO ACCOMMODATE FOR VEHICLE FEATURES, CARPET OR SUBFLOORS.

**PROVIDE CLEARANCE FOR SPACERS** - IF THE INSTALLATION VEHICLE CONTAINS A CARPET OR SUBFLOOR, USE A 1-3/16" DIAMETER CARPET CUTTER (P/N: 31183-0) AT ALL MOUNTING LOCATIONS TO OPEN UP ROOM FOR SPACERS.

**CHECK SPACER ORIENTATION** - BE SURE THAT THE INDENT IN THE SPACER COVERS THE PLUSNUT HEAD; THIS ENSURES THE MOST METAL-TO-METAL CONTACT AND REDUCES VIBRATION.

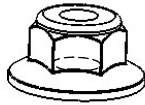
**PLUSNUT INSTALLATION** - A PLUSNUT GUN IS RECOMMENDED FOR PLUSNUT INSTALLATION FOR ITS PRODUCTION SPEED. HOWEVER, A PLUSNUT SETTING TOOL CAN ALSO BE USED (P/N: 22200-0).

**THRU-BOLT CLEARANCE** - WHEN USING A THRU-BOLT AT ANY MOUNTING LOCATION, BE SURE THAT YOUR HOLE HAS 1/16" CLEARANCE.

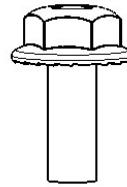
**FASTENERS USED**

**BAGS REFERENCED: BAG65880 AND BAGPEPACCMNT4**

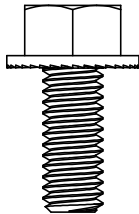
FAS0055  
NUT,HEX NLK  
FLG 1/4-20 ZP  
QTY: 04



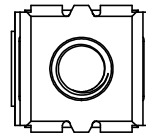
FAS0018  
SCREW,HH SFLNG  
1/4-20 X .62 ZP  
QTY: 04



FAS00438  
SCREW,  
HFLNG 5/16-  
18X.75ZP  
QTY: 04



FAS0915  
SNAP-IN NUT,  
0.028-0.056"  
QTY: 04

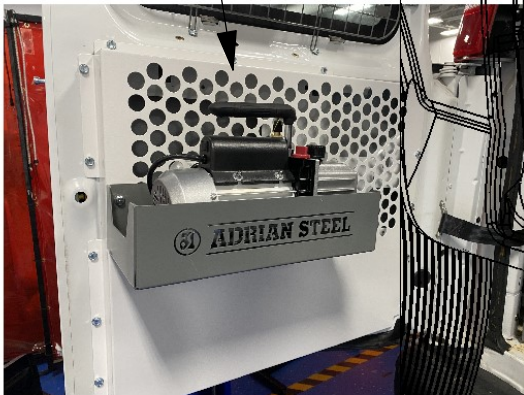


**STEP 1 - MOUNTING THE HVAC PUMP STORAGE UNIT.  
THIS UNIT CAN BE MOUNTED IN VARIOUS LOCATIONS.**

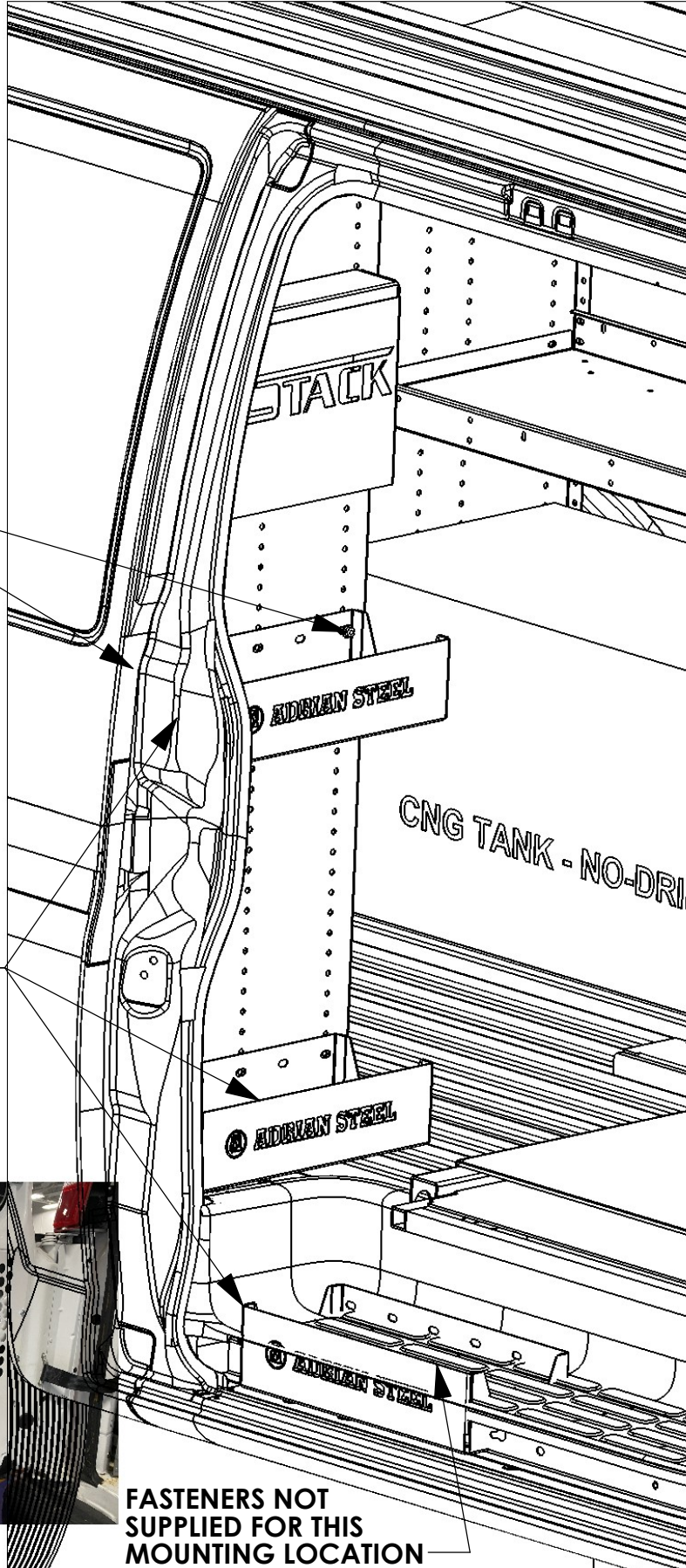
USE FAS0055 AND FAS0018  
(02 PLACES)  
7/16 WRENCH  
7/16 SOCKET

POSSIBLE MOUNTING  
LOCATIONS FOR THE HVAC  
PUMP STORAGE UNIT

ANOTHER LOCATION FOR  
MOUNTING THE HVAC PUMP  
STORAGE UNIT



FASTENERS NOT  
SUPPLIED FOR THIS  
MOUNTING LOCATION

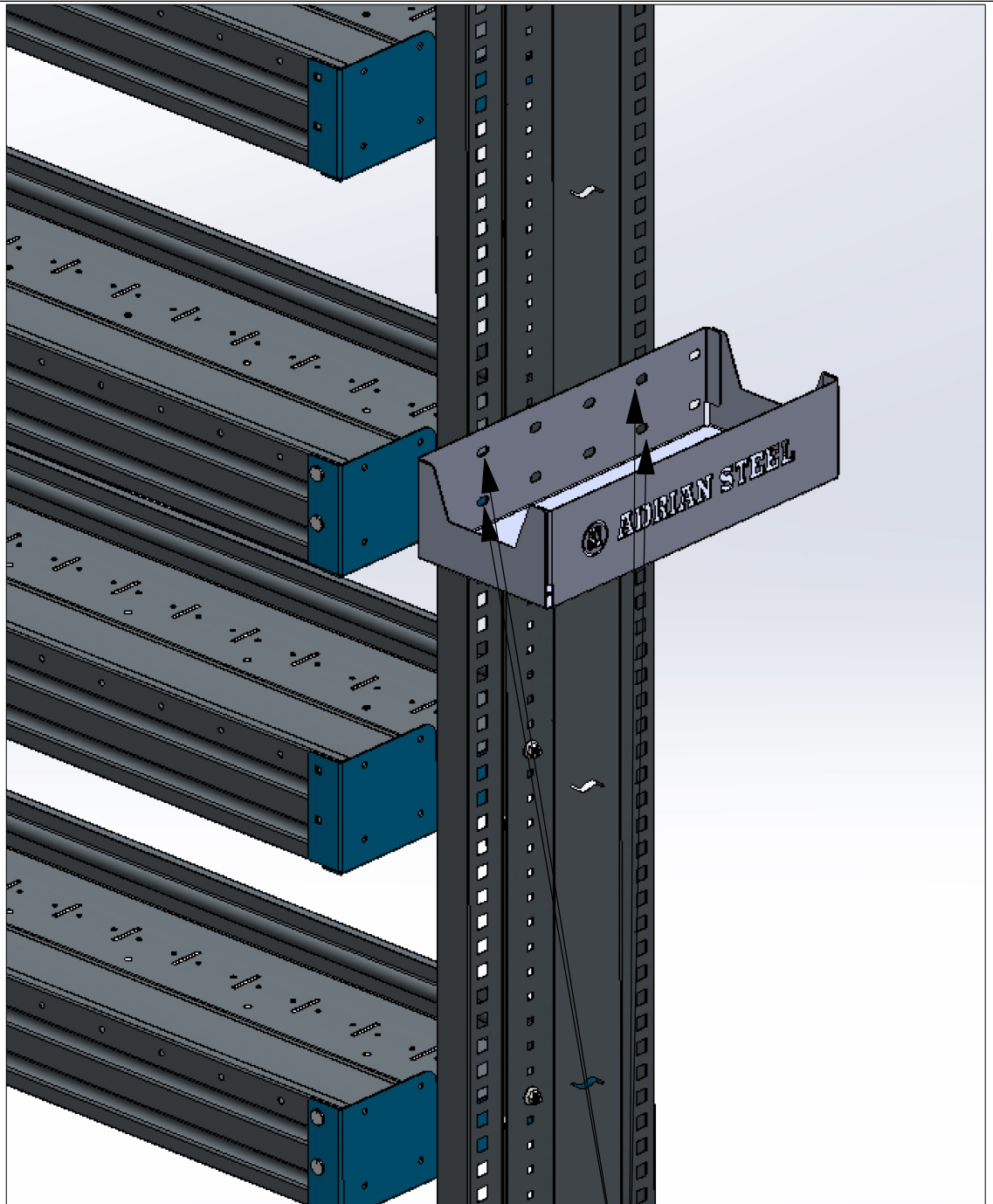


# STEP 1 - MOUNTING TO NEW ASC END PANEL

**STEP 1: ALIGN VPH1 IN DESIRED LOCATION, INSERT FAS0915 (QTY: 4) IN CORRESPONDING SQUARE CUTOUTS.**

**STEP 2: RE-ALIGN VPH1 AND FASTEN USING FAS0438 (QTY: 4) AND 1/2" SOCKET OR WRENCH**

**STEP 3: FULLY TIGHTEN ALL FASTENERS**



**BRKT DESIGN TO FIT CENTERED OR FLUSH WITH EP ON EITHER SIDE.**

**STEPS 1-3**

**INSTALLATION IS NOW COMPLETE!**