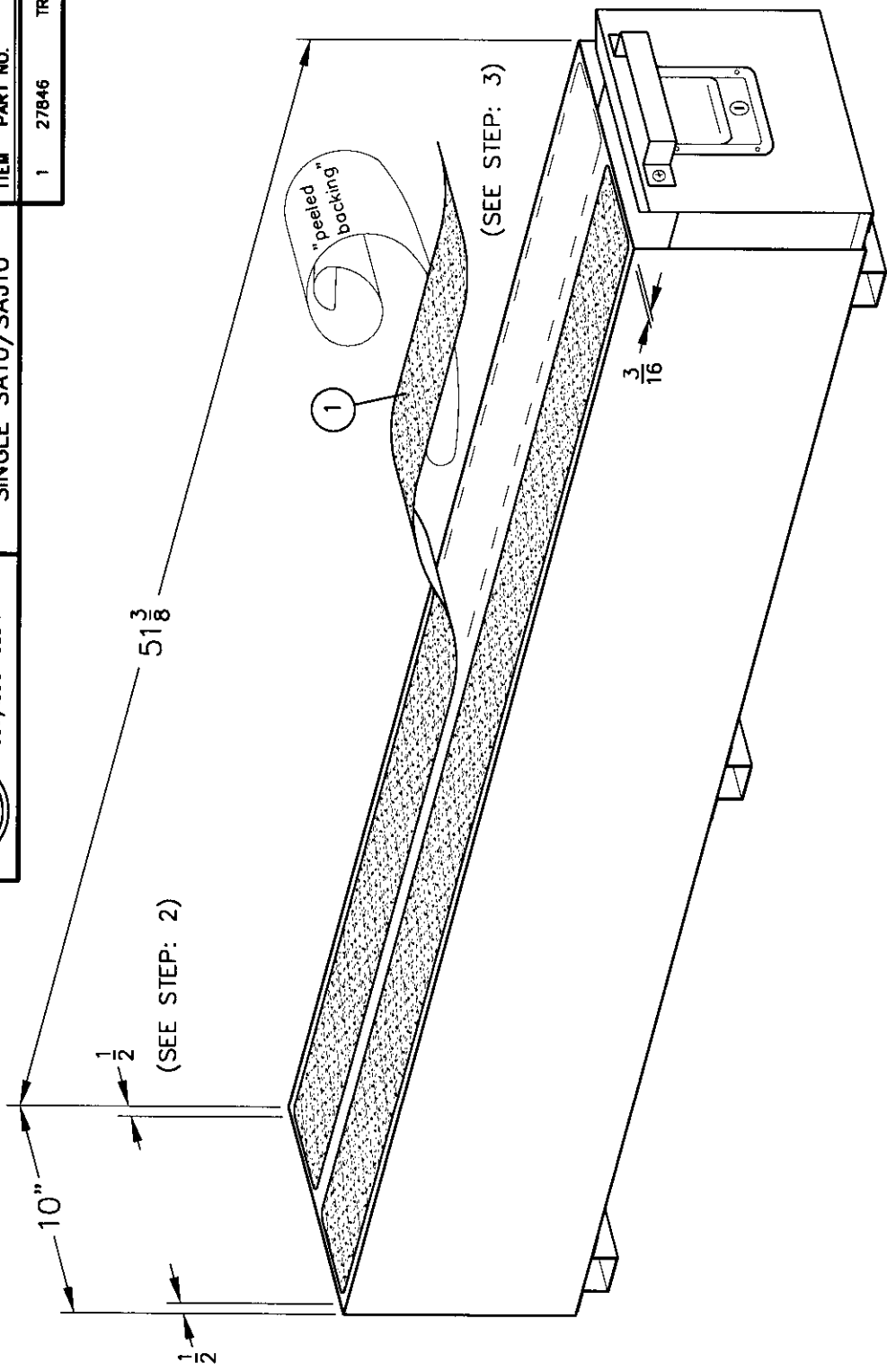


ADRIAN STEEL CO.
 906 JAMES STREET
 ADRIAN, MI 49221
 517/266-6194

TK 10
STOW-ALL TRACTION KIT
 APPLICATION INSTRUCTION
 "SINGLE SA10/SAJ10"

DWG BY	ECN #	DATE	CHK BY	PACKAGE #	ISS.
KAS	6071	8/29/02	SM	S/L TK10	A
PACKAGE WEIGHT-		000.00 #	HORIZONTAL & VERTICAL		
ITEM		PART NO.	DESCRIPTION		QTY.
1	27846	TRACTION STRIP - DIE CUT, 4 X 51			2



APPLICATION STEPS:

- 1) CLEAN TOP SURFACE OF STOW-ALL GETTING RID OF ANY DIRT, DEBRIS, OR FINGER PRINTS.
 (SURFACE MUST BE CLEAN FOR PROPER ADHESION OF TRACTION STRIPS.)
- 2) PARTIALLY "PEEL OFF BACKING" OF TRACTION STRIP AND APPLY STICKY END TO FRONT OR BACK EDGE OF STOW-ALL AT THE DIMENSIONS SHOWN ABOVE.
- 3) ONCE TRACTION STRIP IS SECURE AT THE FRONT OR BACK EDGE OF STOW-ALL, PEEL OFF BACKING WHILE FIRMLY TACKING DOWN REMAINDER OF TRACTION STRIP KEEPING ALIGNED WITH SIDE EDGE OF STOW-ALL AND ADJACENT TRACTION STRIP. BE SURE TO "ROLL" OR "PRESS" OUT ALL EDGE GAPS AND BUBBLES.

CAUTION:
 DRILL THRU FLOOR WITH CARE
 WATCH FOR GAS TANK, CONTROL
 LINES, & ELECTRICAL WIRING.

(SCALE: 1/8)

A- TK10