



TDK - TIE-DOWN KITS

TDK1, TDK2, TDK4, TDK6 TIE-DOWNS Assembly – User Instructions

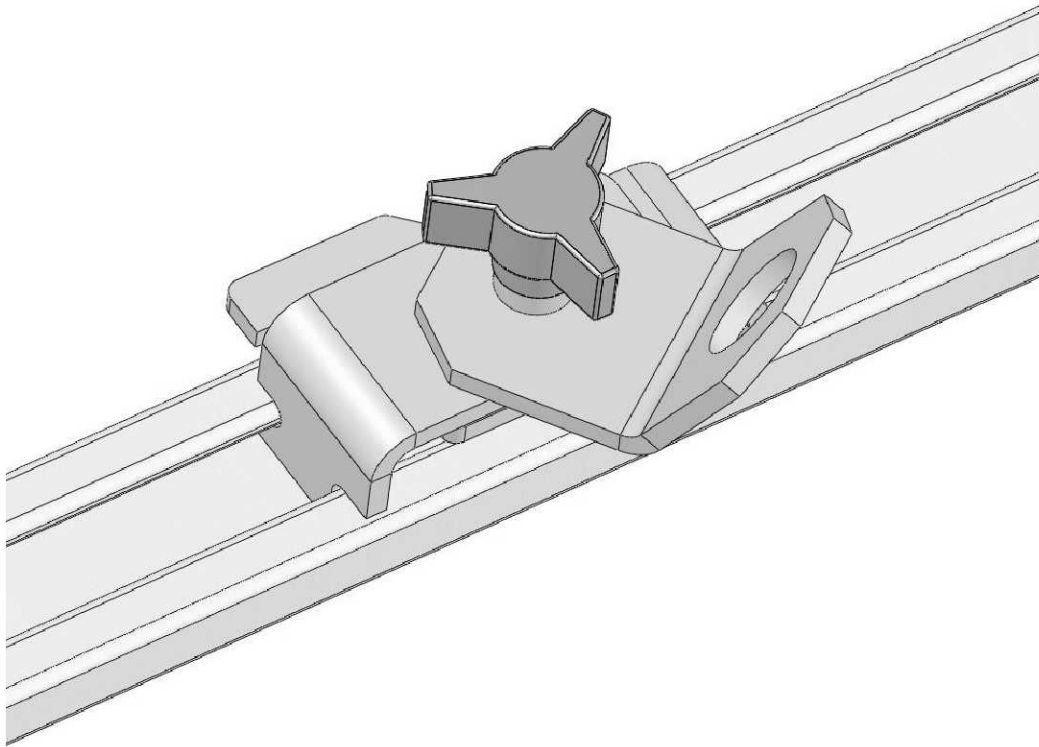
P.N.: 37010-0

ISSUE: C

CHK.BY: DWC

REV.BY: T.WILLIS

DWG.BY: TSR



The tie-downs are designed to be used in your AD-SERIES mounting rails (as shown above).

ECN- 12266 DATE: 04/16/2009

WARNING

EACH TIE-DOWN IS RATED FOR SECURING A MAXIMUM LOAD OF 200 POUNDS! LOADS CONTAINING PRODUCT(S) THAT MAY SHIFT DURING TRANSIT (SUCH AS LIQUIDS) MAY REQUIRE ADDITIONAL TIE-DOWNS!



IT IS THE RESPONSIBILITY OF THE VEHICLE DRIVER TO ENSURE THAT A SUFFICIENT QUANTITY OF TIE DOWNS ARE USED TO SECURE THE LOAD(S).



TDK - TIE-DOWN KITS

BEFORE YOU START!

IMPORTANT INSTALLATION STEPS ARE DENOTED USING A STOP SIGN. THESE STEPS MUST BE PERFORMED AS SPECIFIED IN ORDER TO ENSURE A PROPER INSTALLATION AND MUST BE FOLLOWED IN ORDER TO MAINTAIN YOUR PRODUCT WARRANTY!



CRITICAL INFORMATION PERTAINING TO USER AND/OR VEHICLE SAFETY IS DENOTED USING A CAUTION SIGN. SAFETY ITEMS MUST BE STRICTLY ADHERED TO IN ORDER TO ENSURE A SAFE WORKING ENVIROMENT!



YOU WILL NEED THE FOLLOWING TOOLS IN ORDER TO COMPLETE THIS JOB.

NO TOOLS WILL BE NEEDED FOR THIS PRODUCT.

ALL FASTENERS USED IN THE ASSEMBLY AND INSTALLATION OF THIS PRODUCT SHOULD BE TIGHTENED TO THE SPECIFIED TORQUE AS LISTED WITH EACH FASTENER CALLOUT BOX.



THE USE OF AIR OR ELECTRIC IMPACT TOOLS FOR THE ASSEMBLY OF FASTENERS IS NOT RECOMMENDED AND COULD CAUSE FASTENER FAILURE!



WARNING



THE USE OF DRILLS WITH INTEGRAL DRILL STOPS ALONG WITH PROPER INSPECTION FOR GAS TANK, GAS LINES, BRAKE LINES AND ELECTRICAL LINES PRIOR TO DRILLING ANY MOUNTING HOLES IS STRONGLY RECOMMENDED TO ENSURE THAT VEHICLE DAMAGE IS AVOIDED!







THE USE OF NON-STANDARD FASTENERS AND/OR DEVIATING FROM THE FASTENERS SPECIFIED IN THE INSTRUCTION (S) MAY VOID YOUR PRODUCT WARRANTY!

ALL DRILLED HOLES IN THE VEHICLE SHOULD HAVE THE RAW METAL EDGES SEALED WITH A SELF-ETCHING PRIMER TO RESIST CORROSION AND POTENTIAL FASTENER POINT FAILURE!

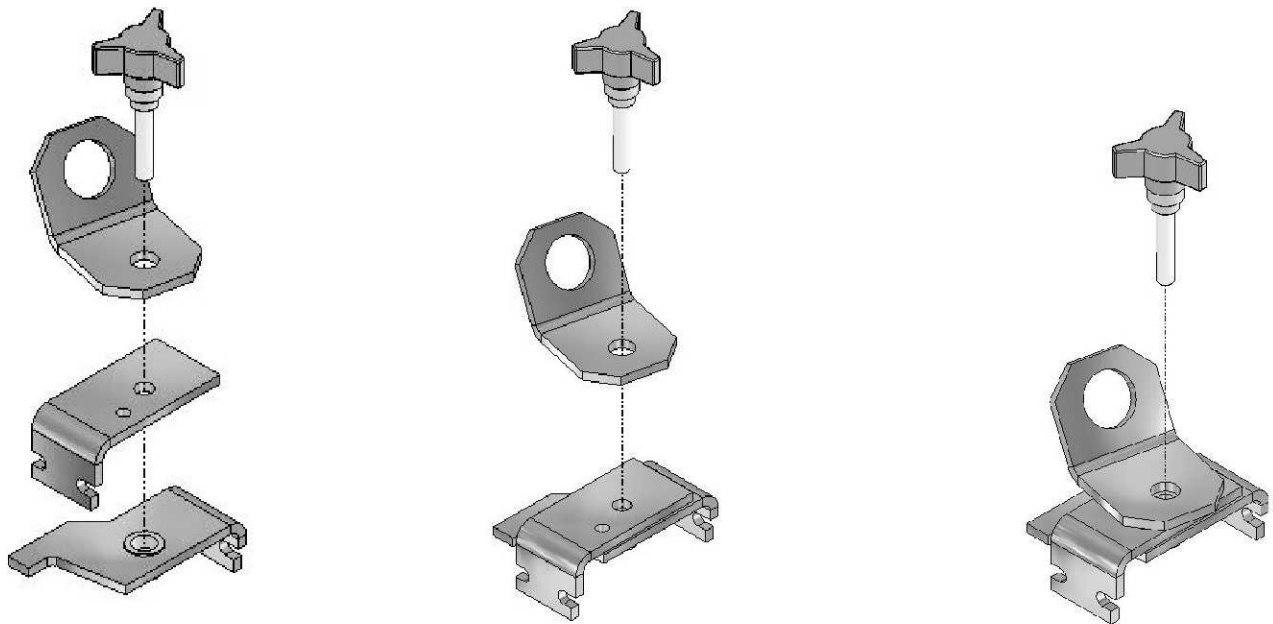


STEP - 01

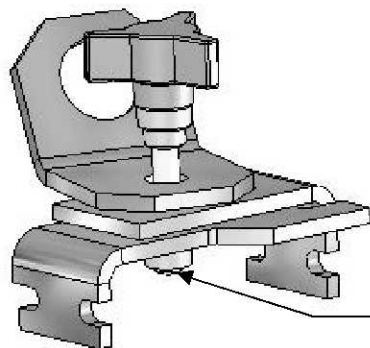
ASSEMBLE THE TIE DOWN COMPONENTS

 <p>37346-0 THREADED HAND KNOB (1) REQUIRED</p>	 <p>36932-0 LOCK RETAINER ASSEMBLY (1) REQUIRED</p>	 <p>36933-0 LOCK BASE (1) REQUIRED</p>	 <p>36943-0 TIE-DOWN PLATE (1) REQUIRED</p>
---	--	---	---

Stack component parts as shown and insert threaded hand knob through parts as shown.



Partially thread hand knob into lock retainer (bottom part) so the threaded portion extends just below the retainer plate.

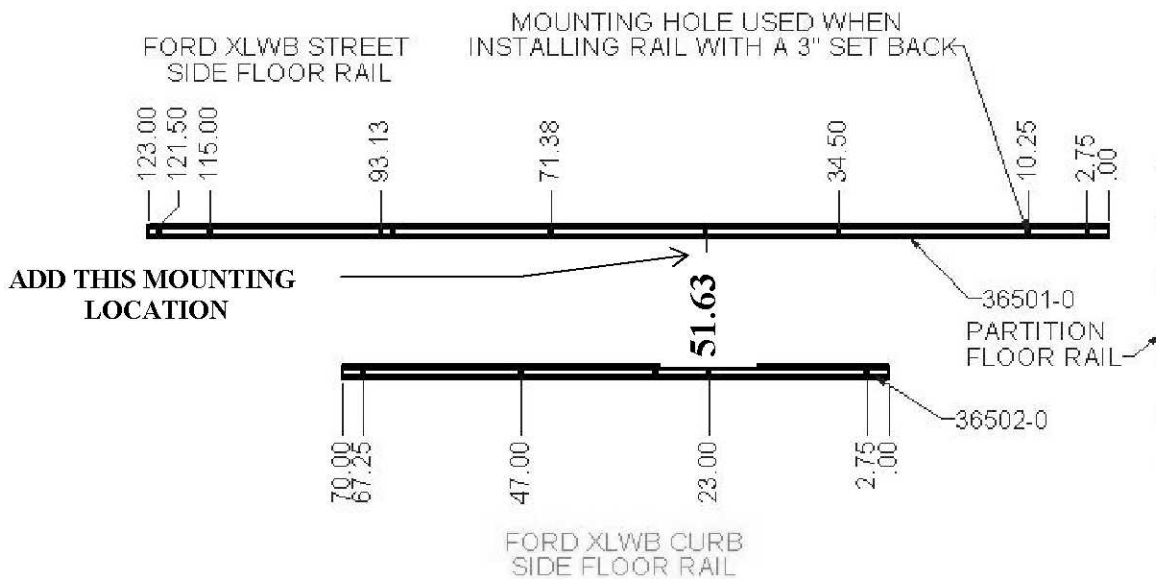
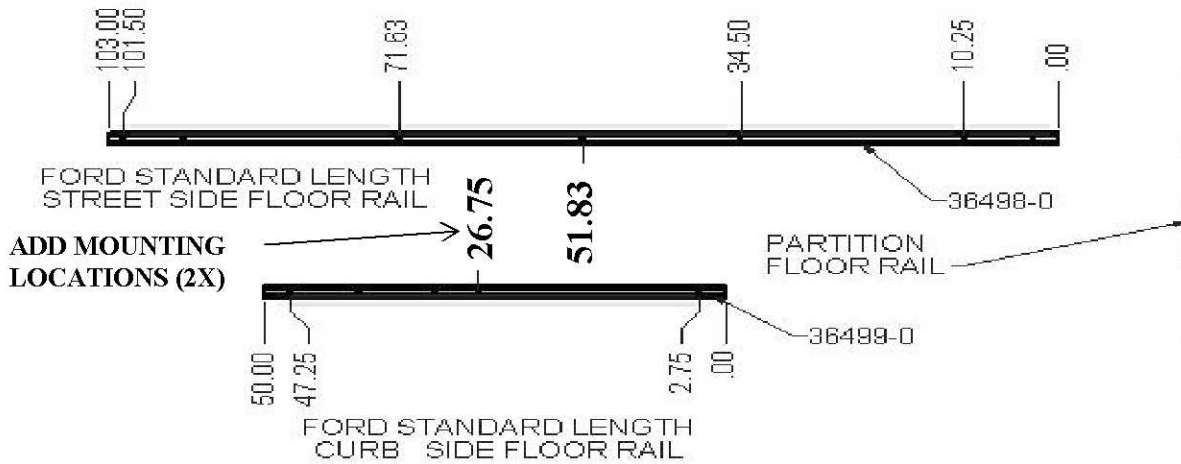


Thread hand knob into part until it just extends slightly out the bottom as shown. (The exact amount is not important right now)



REQUIRED MOUNTING LOCATIONS WHEN USING TIE DOWNS.
FULL SIZE VANS ONLY.

**BOLT THRU THE FLOOR WHERE POSSIBLE, WHEN NOT POSSIBLE USE PLUSNUTS.
SEE RAIL KIT MOUNTING INSTRUCTIONS
RKFSVFD:REF 36568-0**



RKFSVXLF:REF 37133-0

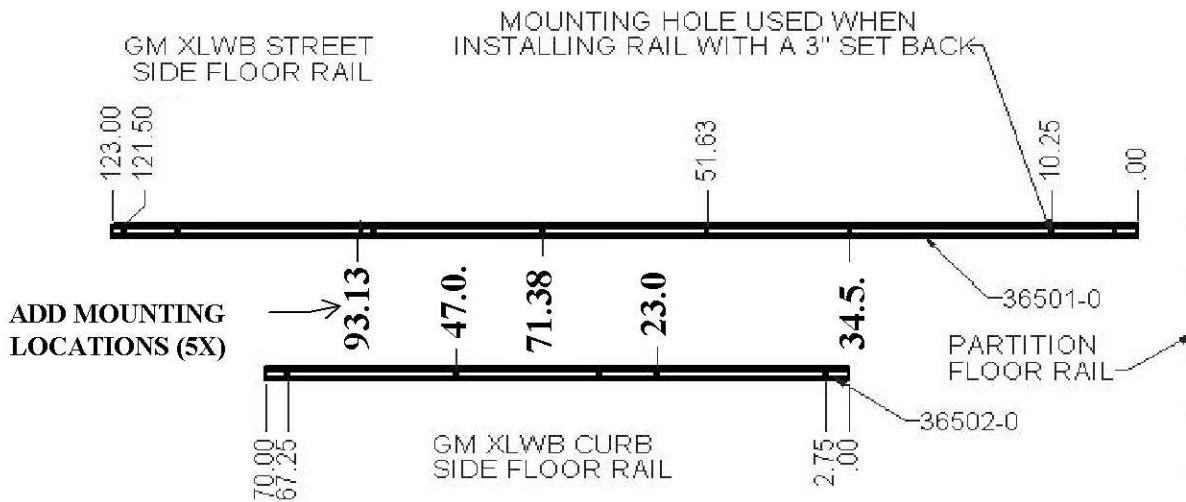
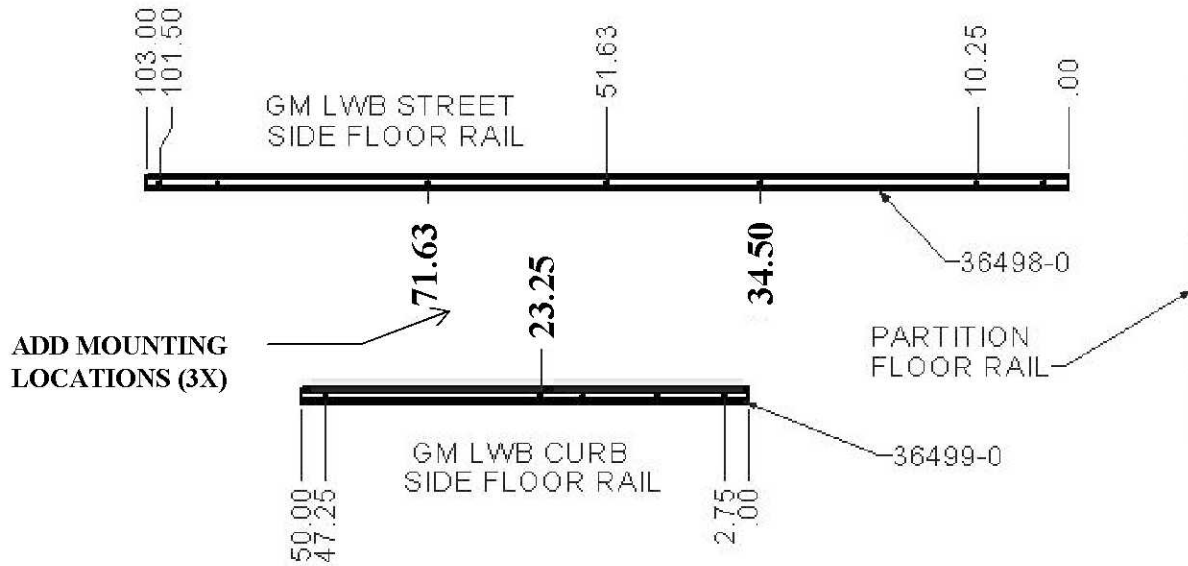
ADRIAN STEEL COMPANY • 906 JAMES ST. • ADRIAN, MI. 49221 • (517) 265-6194



TDK - TIE-DOWN KITS

REQUIRED MOUNTING LOCATIONS WHEN USING TIE DOWNS.
FULL SIZE VANS ONLY.

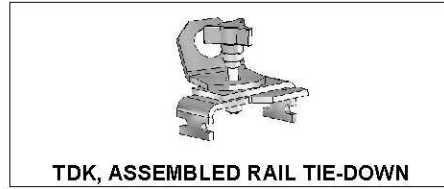
**BOLT THRU THE FLOOR WHERE POSSIBLE, WHEN NOT POSSIBLE USE PLUSNUTS.
SEE RAIL KIT MOUNTING INSTRUCTIONS
GM:REF 36566-0
FOR BOLT THRU INSTRUCTIONS: REF 36568-0**



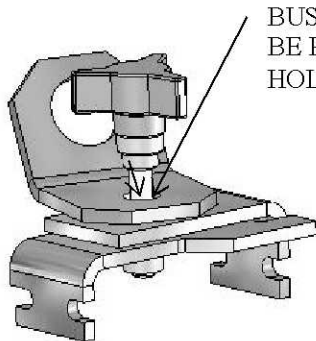


STEP - 02

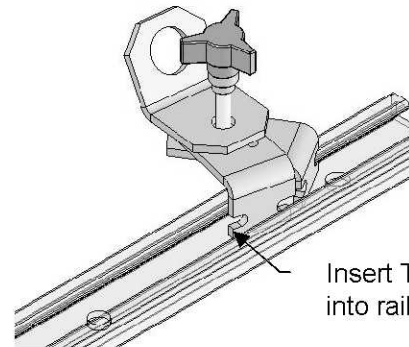
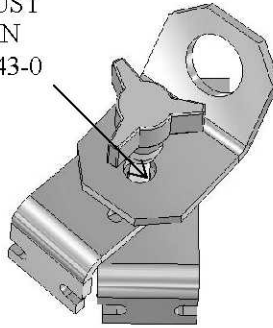
ADJUSTING AND USING THE TIE DOWN(S)



Start by twisting the bottom parts of the tie-down towards each other as shown. This will allow the two parts to be inserted into the rail(s) anywhere along the rail(s).



BUSHING MUST BE PLACED IN HOLE IN 36943-0

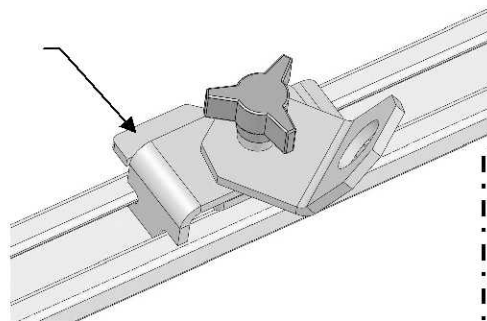


Insert Tie-Down into rail as shown.

Once the parts are inserted into the rail, straighten the parts out as shown below.

WARNING

This tab should be facing **AWAY FROM LOAD!**



LOAD TO BE SECURED SHOULD BE ON THIS SIDE OF RAIL AND TIE-DOWN!

Slide the Tie-Down into the desired position and then tighten down the hand knob until secure. The Tie-Down plate swivels allowing you to properly secure your load.

WARNING

EACH TIE-DOWN IS RATED FOR SECURING A MAXIMUM LOAD OF 200 POUNDS! LOADS CONTAINING PRODUCT(S) THAT MAY SHIFT DURING TRANSIT (SUCH AS LIQUIDS) MAY REQUIRE ADDITIONAL TIE-DOWNS!



STOW THIS COPY IN THE VEHICLE FOR FUTURE REFERANCE!