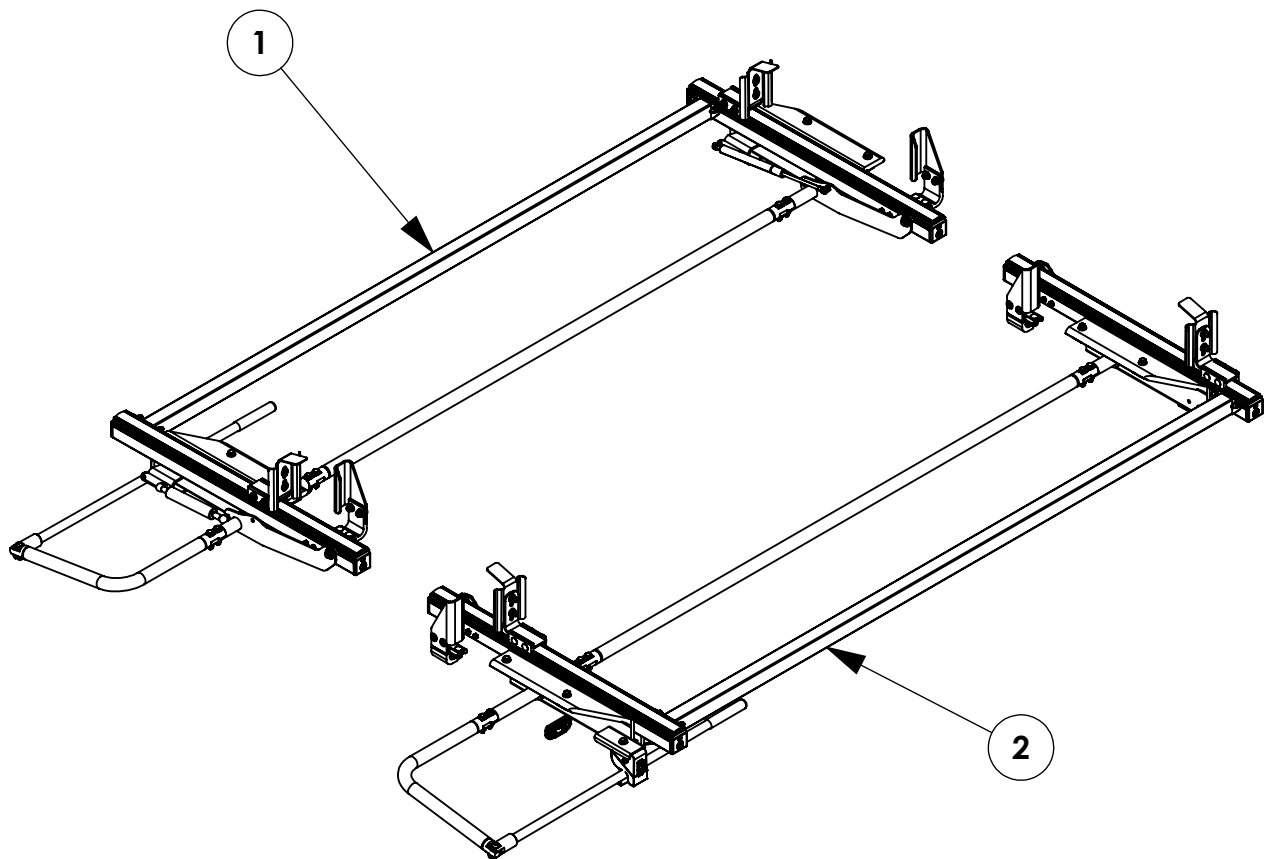


<i>INSTR. NUMBER</i> : <b>67276</b>	<i>PG:</i> <b>1</b>	<i>REV:</i> <b>A</b>	<i>ITEM NO.</i>	<i>PART NUMBER</i>	<i>DESCRIPTION</i>	<i>QTY.</i>
			1	SDPLDS	SINGLE DROP PROLIFT DRIVER SIDE	1
<i>PART NUMBER</i> • <b>SDPLPS</b> <i>PART NUMBER</i> • <b>SDPLDS</b>			2	SDPLPS	SINGLE DROP PROLIFT PASSENGER SIDE	1
<i>PART DESC.</i> • INSTALL INSTR. FOR SDPL						

**DRIVER AND PASSENGER SIDE SINGLE DROP PROLIFT**  
**THESE INSTRUCTIONS CAN BE USED FOR A SINGLE OR DOUBLE SINGLE DROP DOWN ON**  
**VARIOUS LOW ROOF VEHICLES**



**GET TO KNOW THE VEHICLE** - AT THE BEGINNING OF ANY INSTALLATION, CHECK THE LOCATION OF THE FUEL TANK, FUEL LINES, BRAKE LINES, HIGH VOLTAGE BATTERIES AND WIRING HARNESSSES TO AVOID INJURY OR PROPERTY DAMAGE FROM TOOL CONTACT.

**SEAL ALL EXTERIOR HOLES** - ALL INSTALLATION HOLES SHOULD BE SEALED WITH BUTYL TAPE OR SILICON TO PREVENT WATER AND EXHAUST GASES FROM ENTERING THE VEHICLE.

**CONTROL DRILL DEPTH** - TO AVOID DAMAGE TO THE VEHICLE, USE A DRILL STOP OR CLEARED STEP BIT WHEN DRILLING INSTALLATION HOLES.

**ALWAYS ADD PRIMER** - WHEN ADDING INSTALLATION HOLES BE SURE TO USE A SELF-ETCHING PRIMER TO PREVENT CORROSION, FASTENER FAILURE AND INJURY.

**MOUNTING POINTS MUST HAVE METAL-TO-METAL CONTACT** - USE PROVIDED MOUNTING SPACERS TO ACCOMMODATE FOR VEHICLE FEATURES, CARPET OR SUBFLOORS.

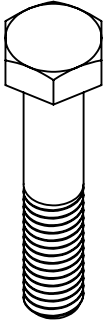
**PROVIDE CLEARANCE FOR SPACERS** - IF THE INSTALLATION VEHICLE CONTAINS A CARPET OR SUBFLOOR, USE A 1-3/16" DIAMETER CARPET CUTTER (P/N: 31183-0) AT ALL MOUNTING LOCATIONS TO OPEN UP ROOM FOR SPACERS.

**CHECK SPACER ORIENTATION** - BE SURE THAT THE INDENT IN THE SPACER COVERS THE PLUSNUT HEAD; THIS ENSURES THE MOST METAL-TO-METAL CONTACT AND REDUCES VIBRATION.

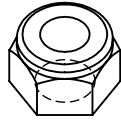
**PLUSNUT INSTALLATION** - A PLUSNUT GUN IS RECOMMENDED FOR PLUSNUT INSTALLATION FOR ITS PRODUCTION SPEED. HOWEVER, A PLUSNUT SETTING TOOL CAN ALSO BE USED (P/N: 22200-0).

**THRU-BOLT CLEARANCE** - WHEN USING A THRU-BOLT AT ANY MOUNTING LOCATION, BE SURE THAT YOUR HOLE HAS 1/16" CLEARANCE.

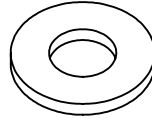
**FASTENERS USED**



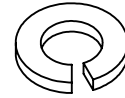
FAS0436  
SHORT DESC.  
QTY: 6



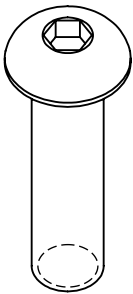
FAS0248  
SHORT DESC.  
QTY: 18



FAS0552  
SHORT DESC.  
QTY: 26



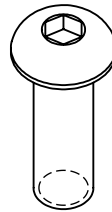
FAS0588  
SHORT DESC.  
QTY: 2



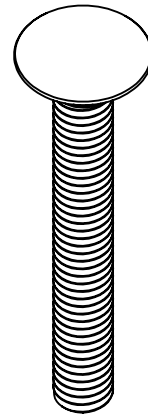
FAS0819  
SHORT DESC.  
QTY: 1



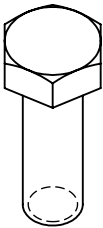
FAS0399  
SHORT DESC.  
QTY: 1



FAS0813  
SHORT DESC.  
QTY: 4



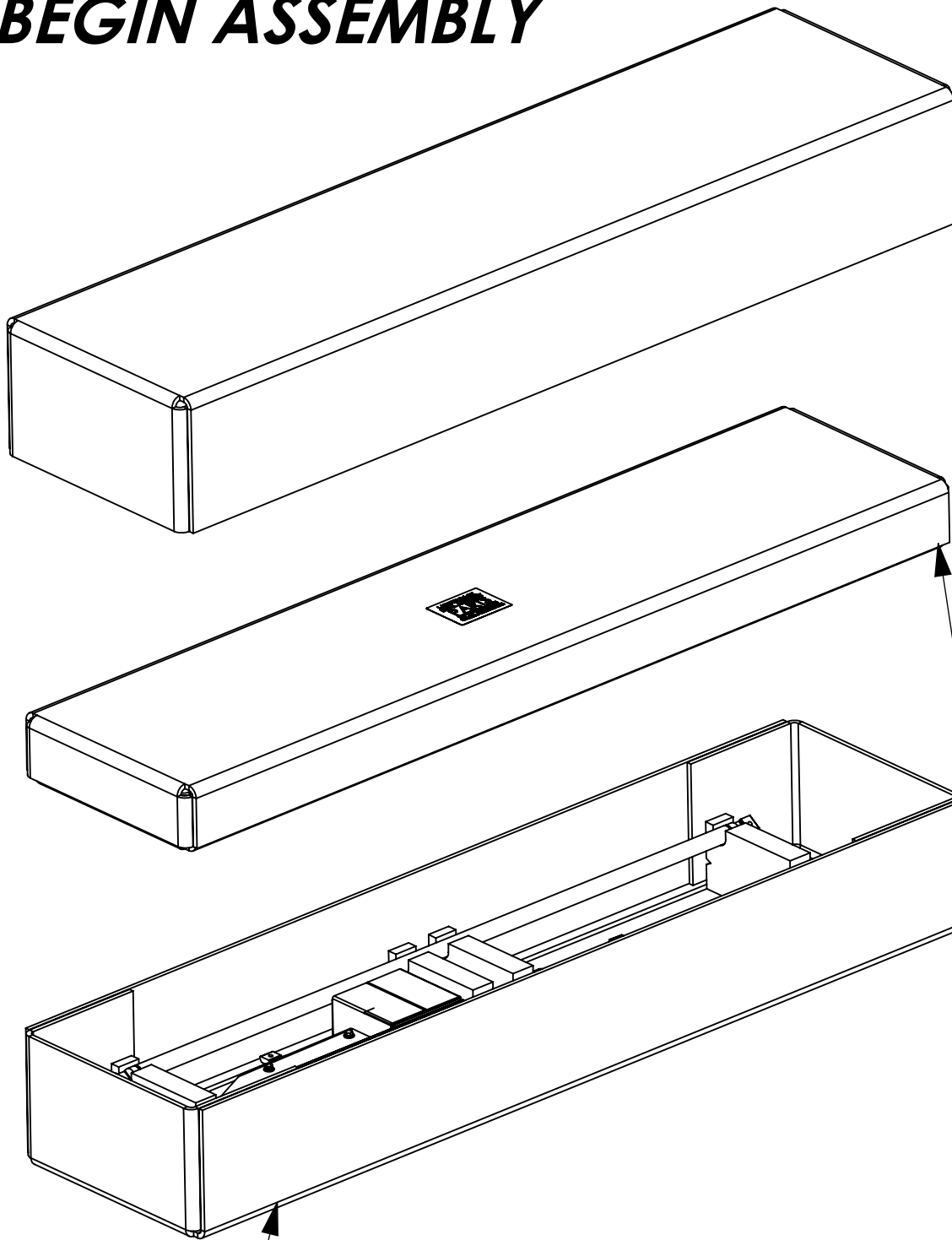
FAS0838  
SHORT DESC.  
QTY: 4



FAS0597  
SHORT DESC.  
QTY: 2

**FOR DOUBLE SIDED RACK DOUBLE FASTENER QUANTITY**

# **BEGIN ASSEMBLY**



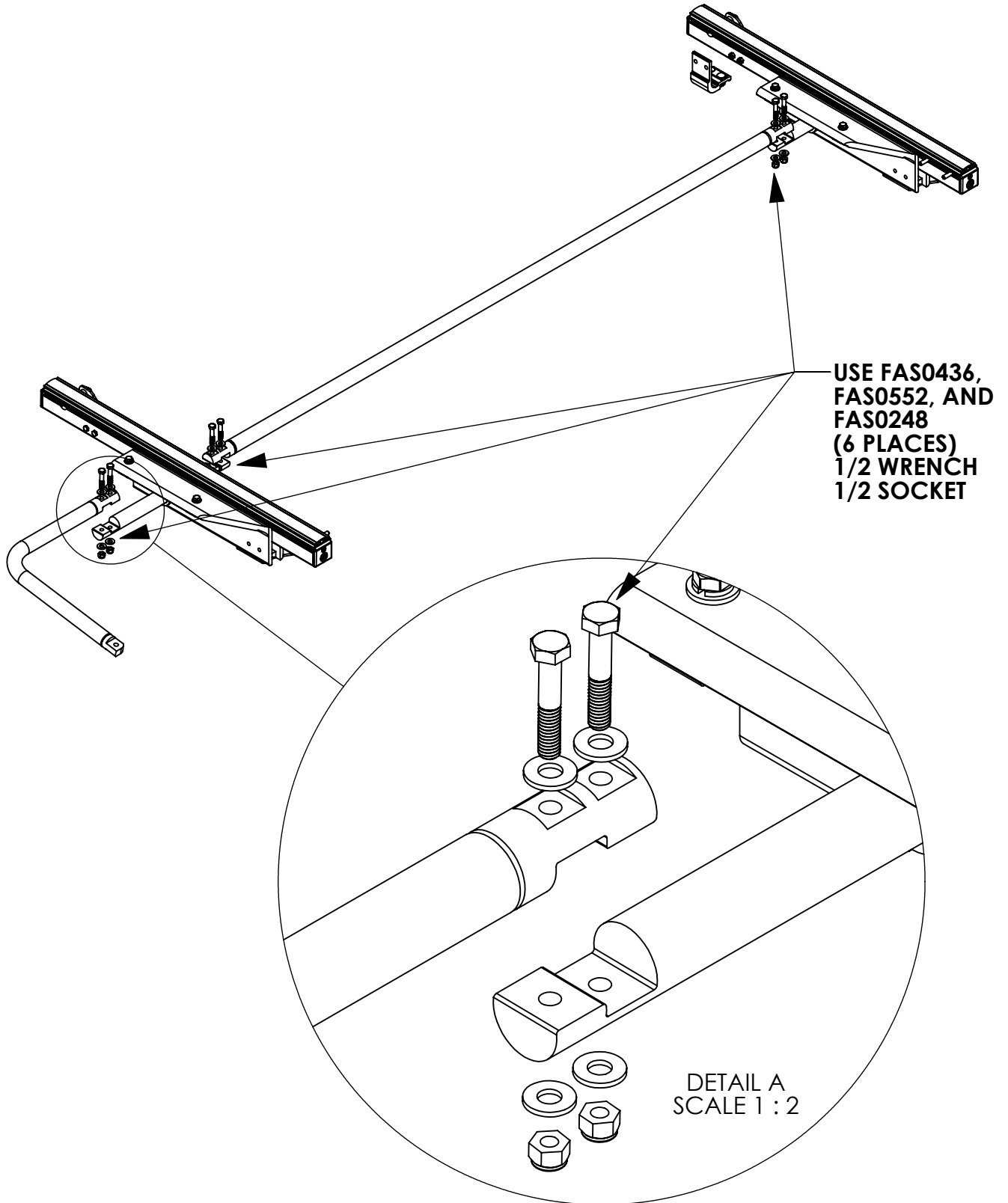
**START ASSEMBLY WITH OUTER BOX  
(CRT67161,CRT67161-1)**

## **FOR SHIP THRU:**

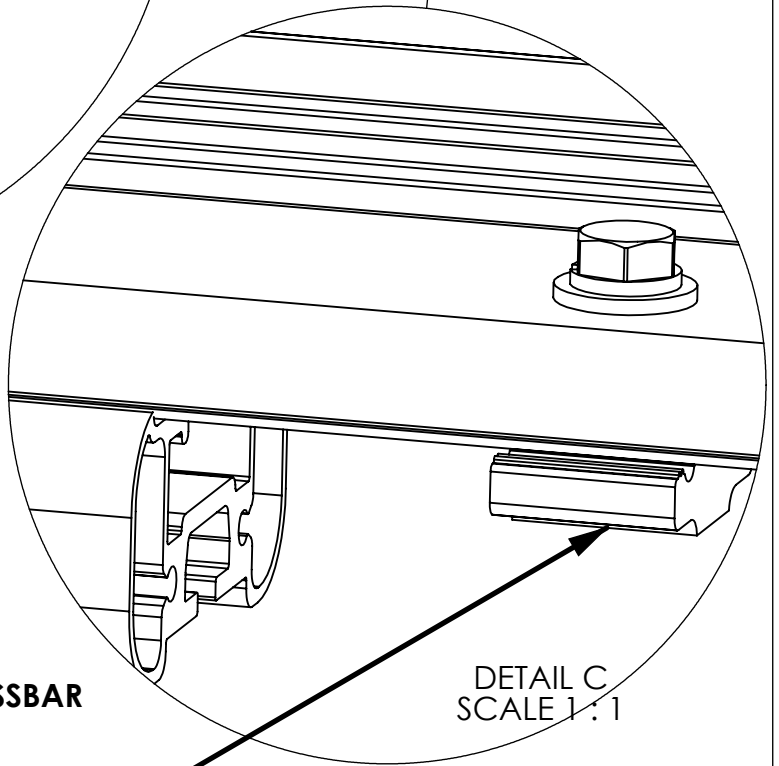
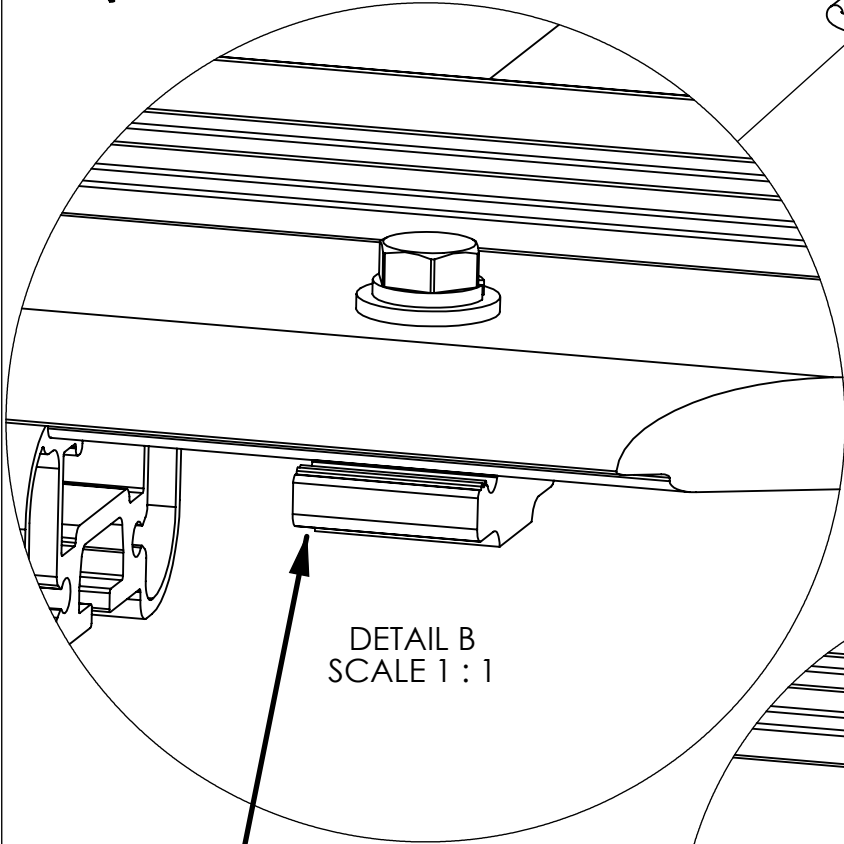
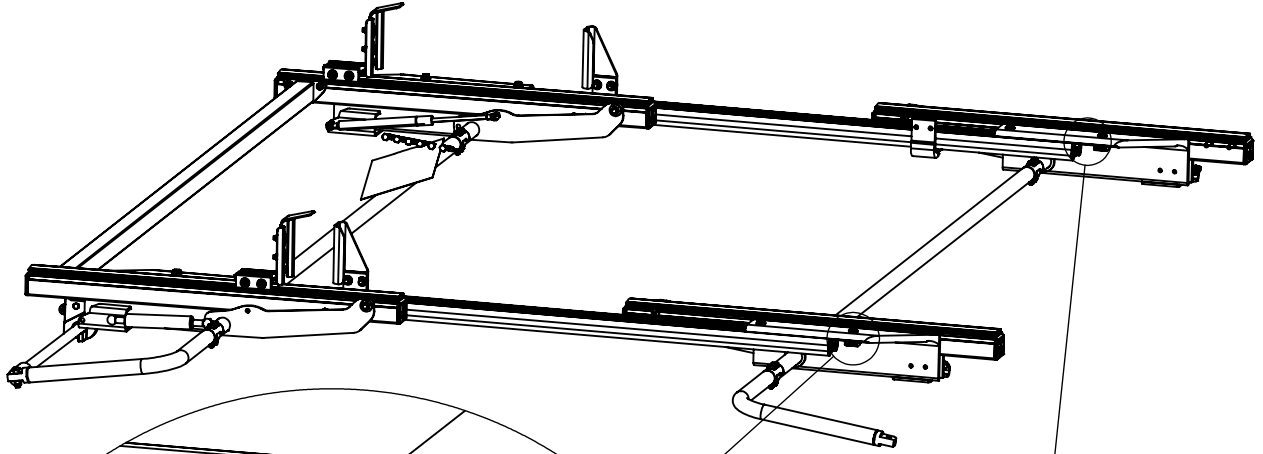
**REMOVE INNER BOX (CRT67160, CRT67160-1) FROM OUTER  
BOX & STOW IN VEHICLE FOR FINAL INSTALL AT DEALER**

**BEGIN ASSEMBLY**

**STEP 1 - ASSEMBLE FRONT AND REAR ASSEMBLY TO DRIVELINE & HANDLE**



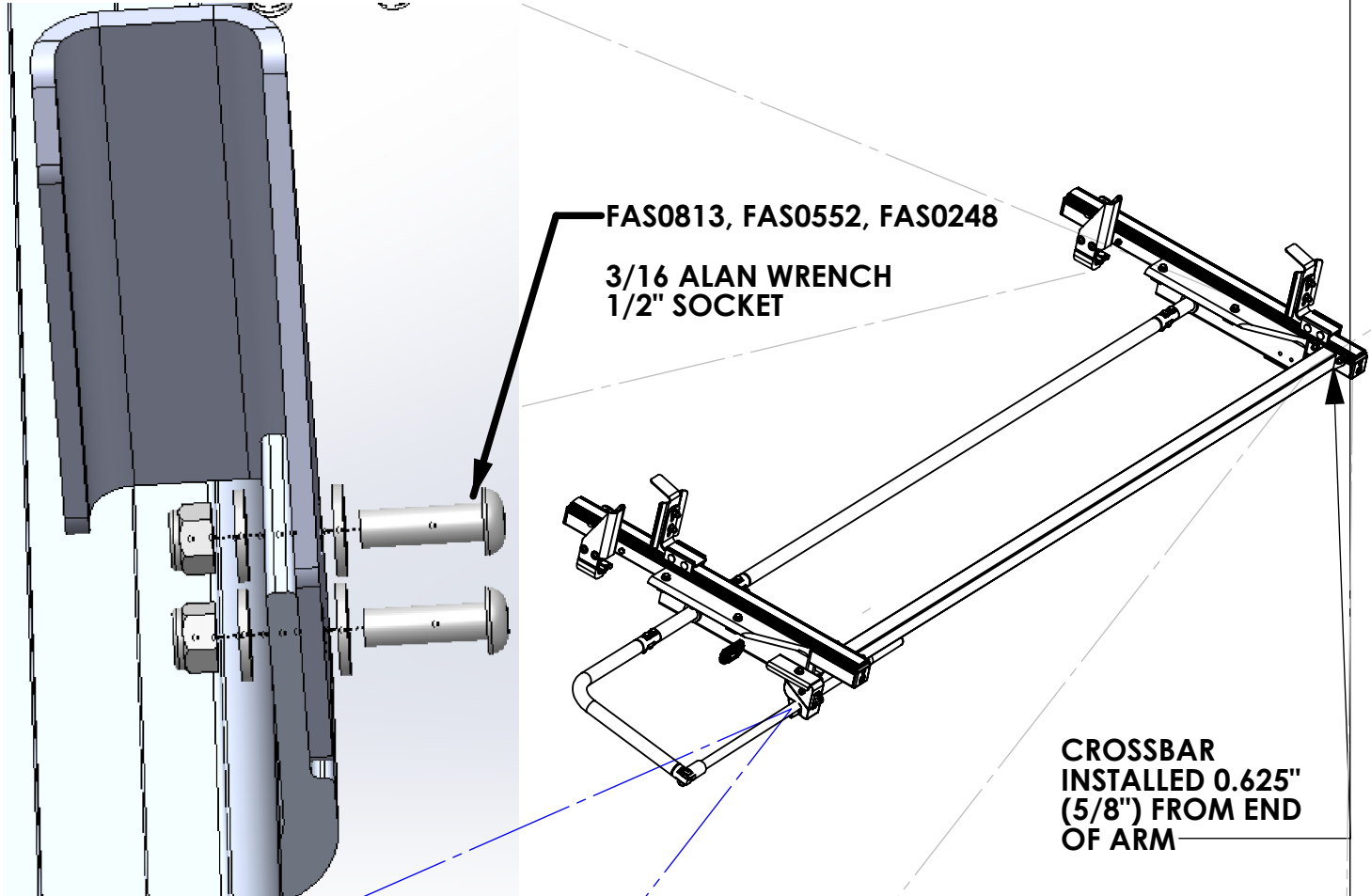
**STEP 2 - INSTALL DUAL STAGE DROP DOWN INTO CROSSBARS**



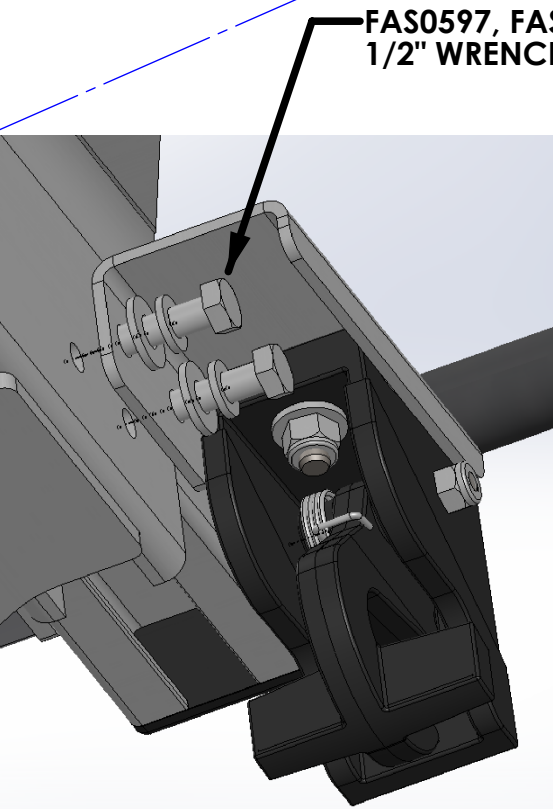
**SLIDE DROP DOWN INTO CROSSBAR**

**LEAVE FASTENERS LOOSE FOR  
ADJUSTING RACK ONCE ON VEHICLE**

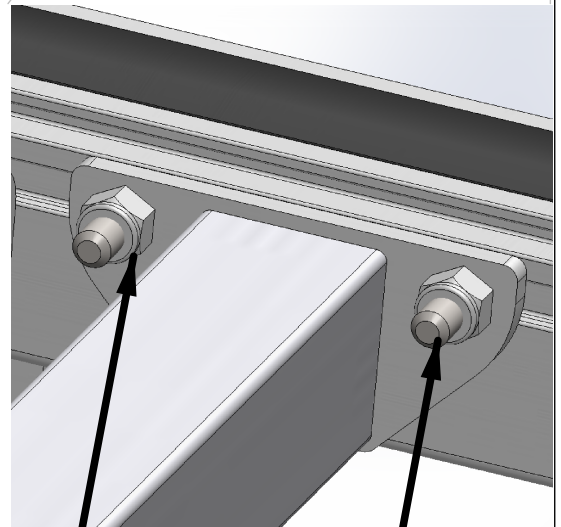
**FOR SHIP THRU SKIP TO PAGE 10**  
**STEP 3 - INSTALL OUTER RAIL, LOCK, & INNER POST**



**CROSSBAR  
INSTALLED 0.625"  
(5/8") FROM END  
OF ARM**



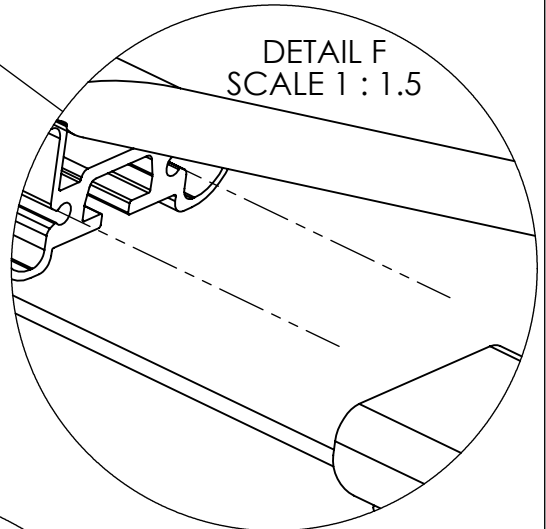
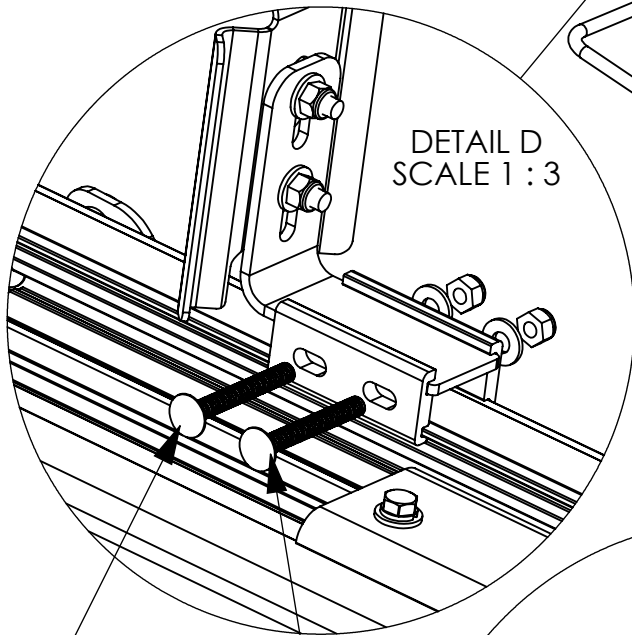
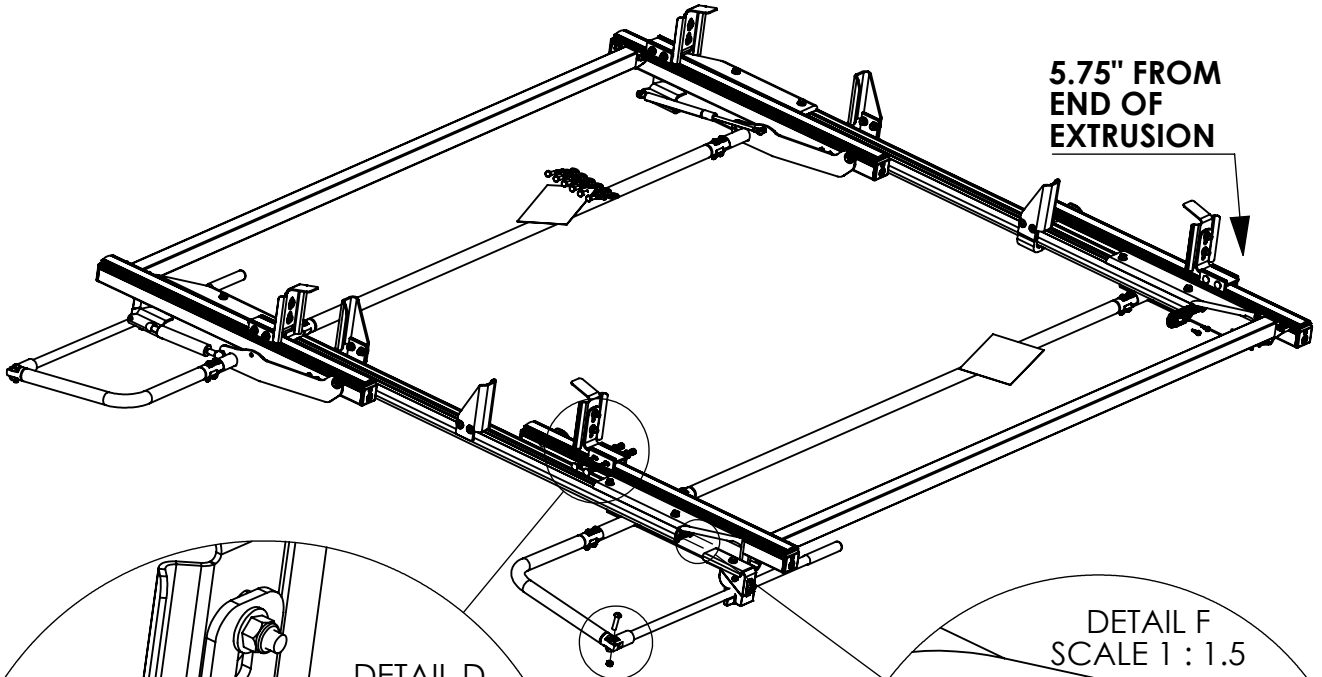
**FAS0597, FAS0588, FAS0552  
1/2" WRENCH**



**FAS0248**

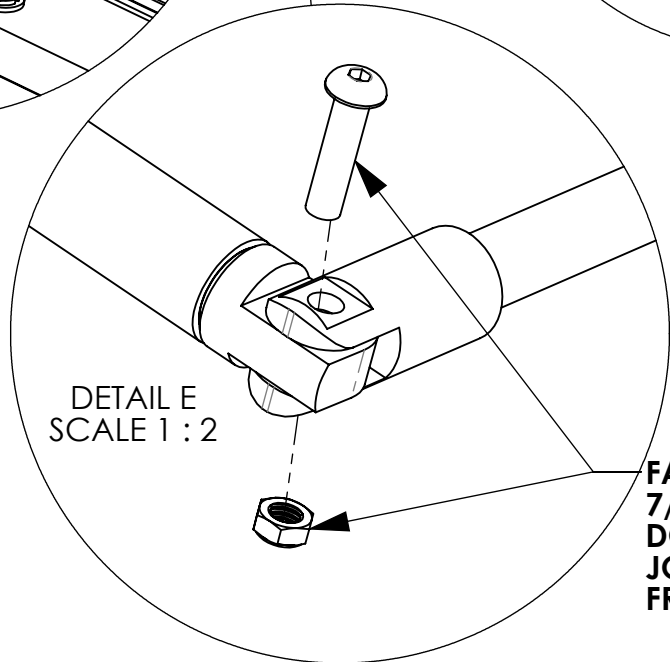
**1/2" WRENCH**

**FOR SHIP THRU SKIP TO PAGE 10**  
**STEP 4 - INSTALL LADDER CLAMPS, HANDLE, & END CAPS**



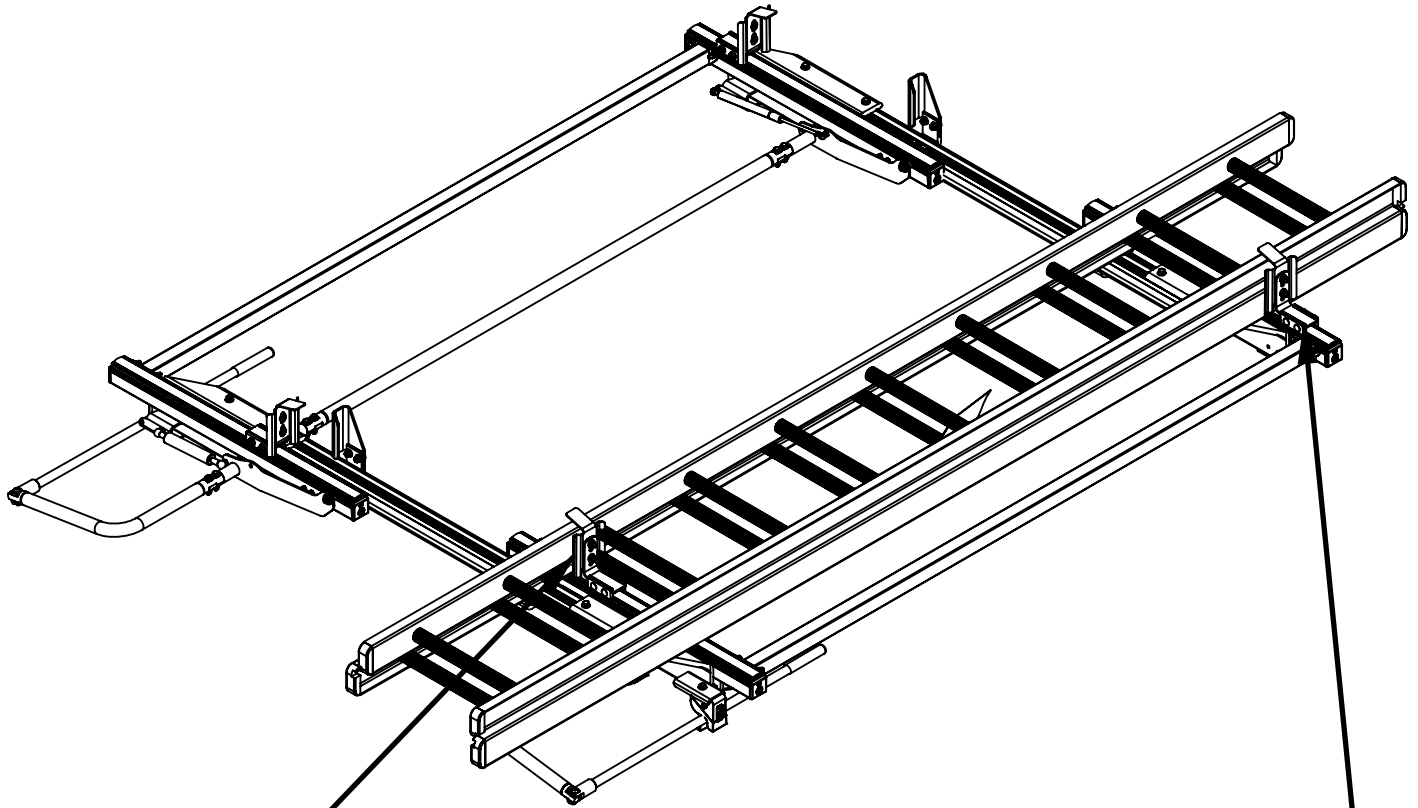
FAS0838  
FAS0552  
FAS0248  
(3 PLACES)

1/2" WRENCH



FAS0819 & FAS0399  
7/32 ALLEN WRENCH  
DO NOT OVERTIGHTEN  
JOINT SHOULD MOVE  
FREELY

**INSTALL FOOT KIT (URMBK4W) FOLLOW INSTRUCTIONS PROVIDED  
THEN INSTALL ON ROOF RAILS ON VEHICLE ROOF**



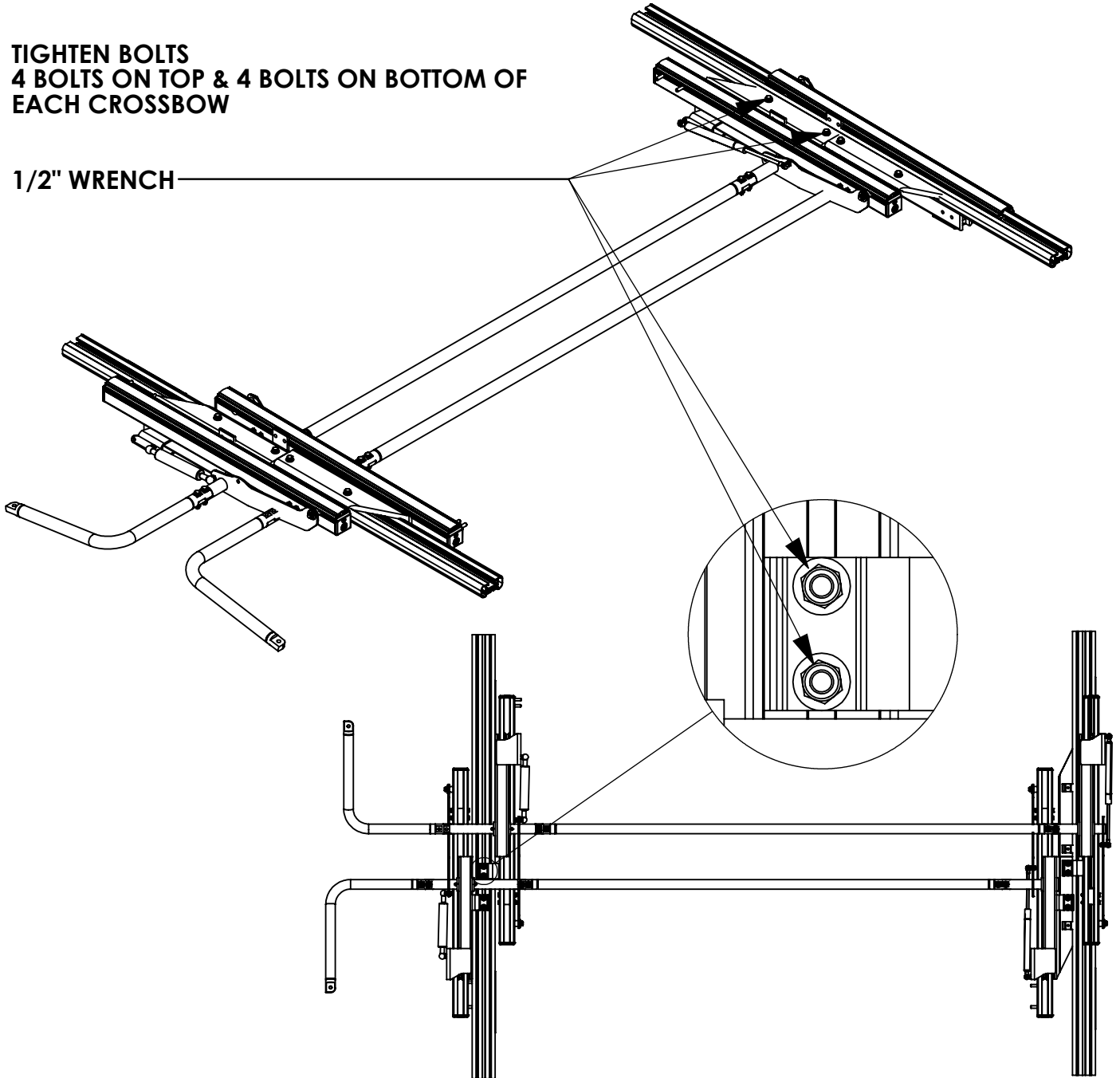
**NOTE:  
CLAMPS MAY NEED TO BE ADJUSTED BASED ON TYPE OF LADDER BEING CARRIED**

***INSTALLATION IS COMPLETE***

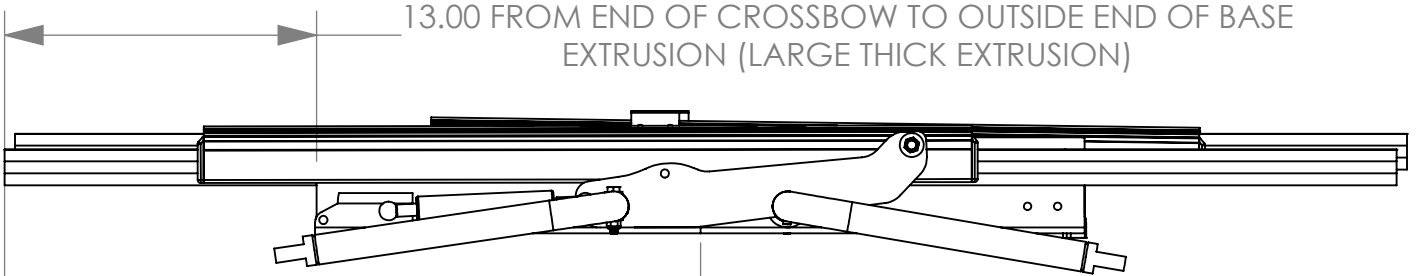
**FOR SHIP THRU SLIDE RACK INTO CENTER OF CROSSBOW & TIGHTEN BOLTS**

**TIGHTEN BOLTS  
4 BOLTS ON TOP & 4 BOLTS ON BOTTOM OF  
EACH CROSSBOW**

1/2" WRENCH



13.00 FROM END OF CROSSBOW TO OUTSIDE END OF BASE EXTRUSION (LARGE THICK EXTRUSION)



(29.00 FROM END OF CROSSBOW TO END OF BASE EXTRUSION)

**INSTALL FOOT KIT (URMBK4W) FOLLOW INSTRUCTIONS PROVIDED THEN INSTALL ON VEHICLE ROOF**