

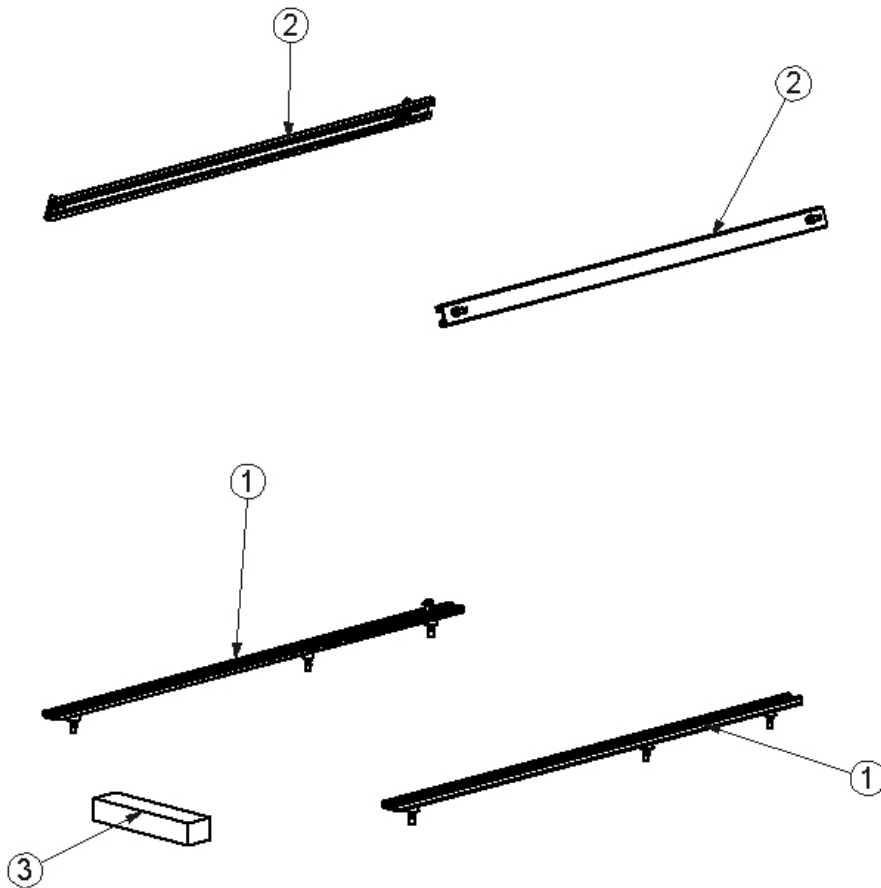
**Introduction / Comments:**

THIS RAIL KIT IS INTENDED TO BE USED IN THE MERCEDES-BENZ METRIS

**Note:**

It is advised that all fasteners used in this assembly and installation should be checked for tightness at the following intervals: @ 2-weeks and again @ 6-weeks of operation. This preventive maintenance step must be completed to ensure your Product gives you long service life.

ITEM NO.	PART NUMBER	DESCRIPTION	RKMM2SD/QTY.
1	50467	RAIL 50" CRB,BOT,METRIS	2
2	50466	RAIL 47" CRB,UPPER,METRIS	2
3	HDWRKMM2S	HDW,KIT,RKMM2S	1



**RKMM2SD  
RAIL KIT, METRIS, DUAL SLIDING DOOR**

## - PRECAUTIONS -



**CAUTION**  
THE USE OF AIR IMPACT TOOLS CAN  
OVER-TORQUE FASTENERS AND  
CAUSE FASTENER FAILURE!



**CAUTION**  
ALL INSTALLATION HOLES SHOULD BE SEALED  
WITH SILICON OR BUTYL SEALANT TO PREVENT  
EXHAUST FUMES FROM ENTERING THE VEHICLE!



**DANGER**  
INSPECT FOR FUEL TANK, FUEL LINES, BRAKE LINES, HIGH  
VOLTAGE BATTERIES AND ELECTRICAL LINES PRIOR TO  
DRILLING TO AVOID DAMAGING CRITICAL VEHICLE SYSTEMS  
OR INJURY TO INSTALLER DURING INSTALLATION PROCESS!



**CAUTION**  
TO AVOID DAMAGING THE VEHICLE ALWAYS USE DRILL  
STOPS WHEN DRILLING ANY INSTALLATION HOLES!  
ADRIAN AVAILABLE PART #'S 31121-0 (3/8" X 1/2"  
DEEP), 31121-0 (1/2" x 1/2" DEEP)



## - IMPORTANT WARRANTY REQUIREMENTS -

1. SUBSTITUTING ADRIAN STEEL SPECIFIED FASTENERS FOR ASSEMBLY AND/OR INSTALLATION WILL VOID YOUR PRODUCT WARRANTY.
2. ALL HOLES DRILLED INTO VEHICLE SHOULD HAVE THE RAW METAL EDGES SEALED WITH A SELF-ETCHING PRIMER TO RESIST CORROSION AND POTENTIAL FASTENER POINT FAILURE.
3. ALL FASTENERS USED IN THE INSTALLATION OF THIS PRODUCT SHOULD BE TIGHTENED TO THE TORQUE(S) SPECIFIED IN THESE INSTRUCTIONS.
4. THESE INSTRUCTIONS SHOULD BE KEPT WITH THE VEHICLE.

### THE BASIC TOOLS NEEDED FOR MOST INSTALLATIONS



DRILL



DRILL BIT WITH  
STOP



RATCHET, SOCKETS  
AND/OR WRENCHES



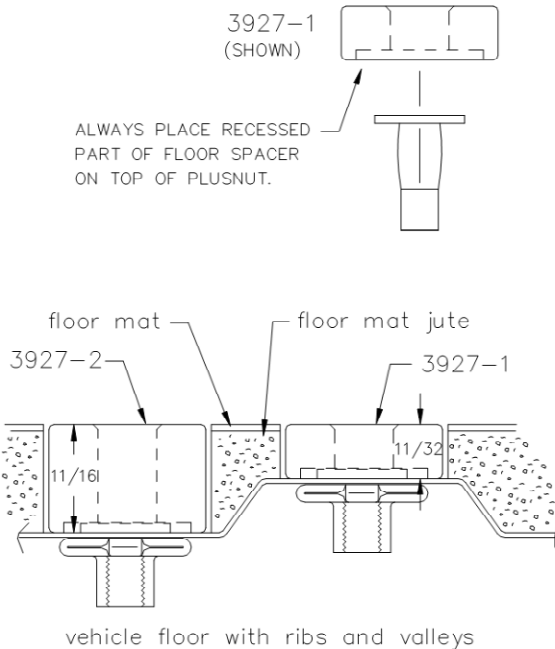
SCREWDRIVERS



MEASURING TAPE

ADDITIONAL TOOLS MAY BE NEEDED FOR THIS INSTALLATION AND THEY WILL BE IDENTIFIED IN THE STEPS THAT FOLLOW.

If your vehicle contains carpet or a rubber floor mat you will need to prepare the mounting location. Position the product to be installed into the vehicle and once you are satisfied with the mounting locations, mark the mounting locations. Using a 1-3/16" diameter carpet cutter (P/N: 31183-0). Select the appropriate floor spacers as shown in the illustration. Set those aside for use later into the installation process. Using the correct drill bit size for the selected plusnut, drill the mounting holes in the vehicle sheet metal to prepare for installing the plusnuts. If you are thru-bolting at any of the locations simply drill a hole that is 1/16" larger than the bolt size(s) for those locations. Once you have drilled the holes into the vehicle, the raw metal edges should be sealed using a self-etching primer to resist corrosion and potential fastener point failure.



A PLUSNUT (RIVNUT) SETTING TOOL IS REQUIRED FOR PLUSNUT (RIVNUT) INSTALLATION . PLUS NUT SETTING TOOL CAN BE ORDERED THROUGH ADRIAN STEEL, OR USE AN AIR POWERED PLUSNUT SETTING GUN.

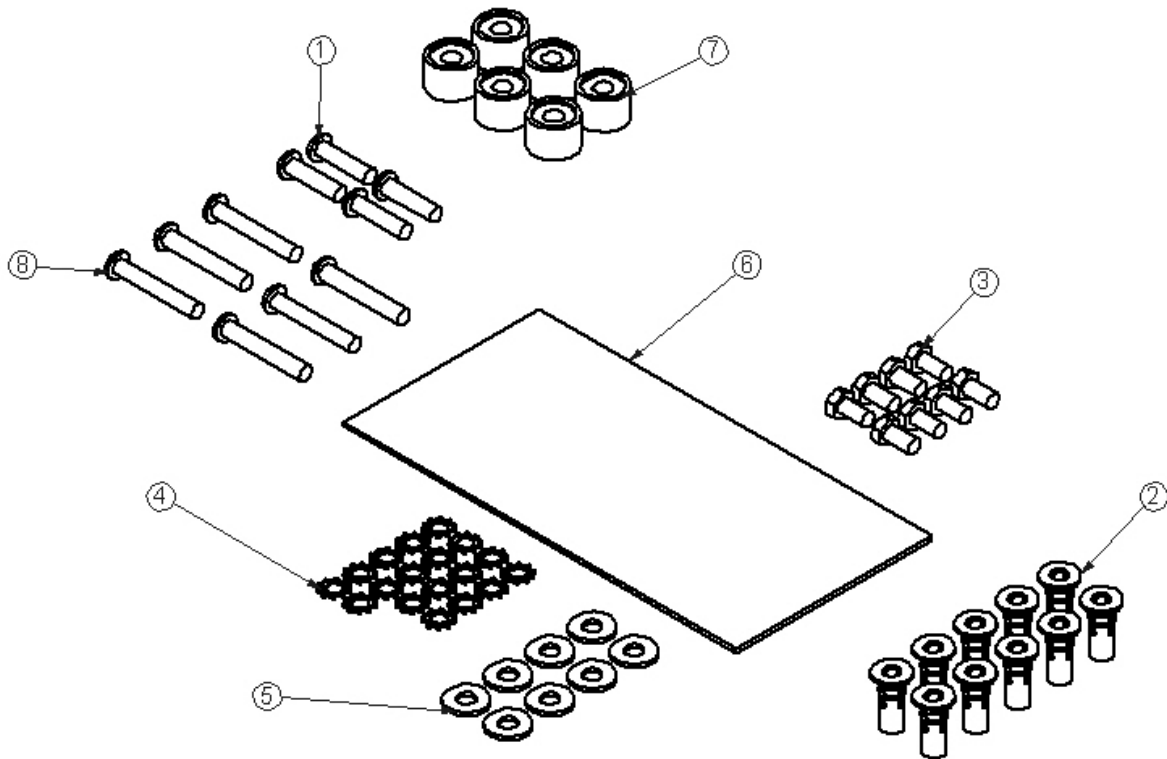
1/4-20UNC Plusnut (FAS0052) Use 3/8" dia. drill w/stop  
 FAS0080 SCREW, HXHD, 1/4-20UNCx2.00", G8  
 FAS0067 WASHER, FLAT, 1/4"ID  
 22200-0 PLUSNUT TOOL

5/16-18UNC Plusnut (FAS0091) Use 1/2" dia. drill w/stop  
 FAS0095 SCREW, HXHD, 5/16-18UNCx2.00", G8  
 FAS0086 WASHER, FLAT, 5/16"ID  
 22200-0 PLUSNUT TOOL

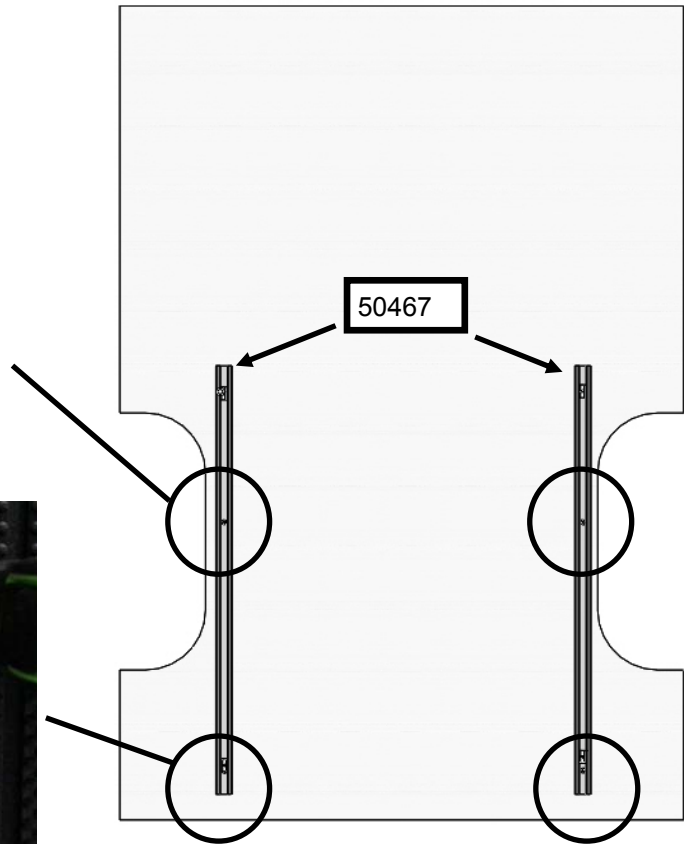
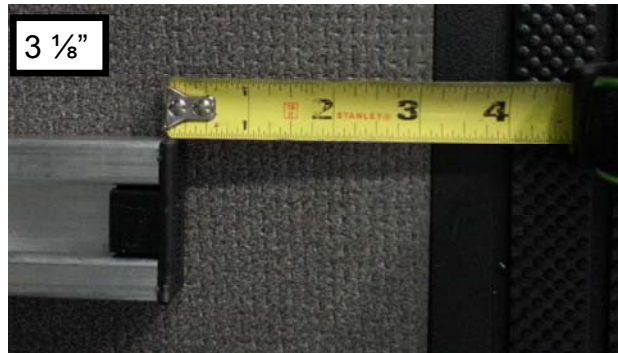
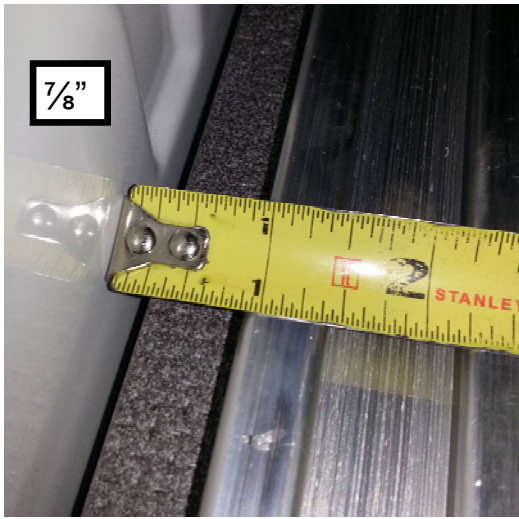
Place barrel of the plusnut body in sheet metal thru hole until flange is flush with sheet metal. Using a 9/16" combination wrench of plusnut tool body and a second hand wrench, ratchet, or air tool, rotate the hex bolt head CW to draw plus nut flanges up (set the plusnut).

**Installation and/or Assembly Fasteners  
BAGRKMM2S —BAG, RKMM2SD, METRIS**

ITEM NO.	PART NUMBER	DESCRIPTION	BAGRKM M2S/QTY.
1	FAS0708	Screw, Button Hd Hex Soc, 5/16-18X1.25, BLK OXIDE	4
2	FAS0091	Plusnut, 5/16	10
3	FAS0165	Screw, Hex Hd, 5/16-18x.625	8
4	FAS0085	Washer, Lock, Ext. Tooth, 5/16	18 </td
5	FAS0086	WASHER,FLAT USS 5/16 ZP	8
6	BAG0510-A	5"X9" 4MIL AUTOBAG	1
7	03927-2	Tall Floor Spacer	6
8	FAS0048	Screw, Button Hd Hex Soc, 5/16-18X 2, BLK OXIDE	6

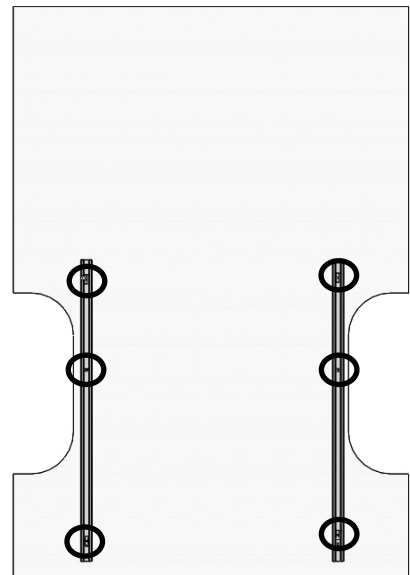
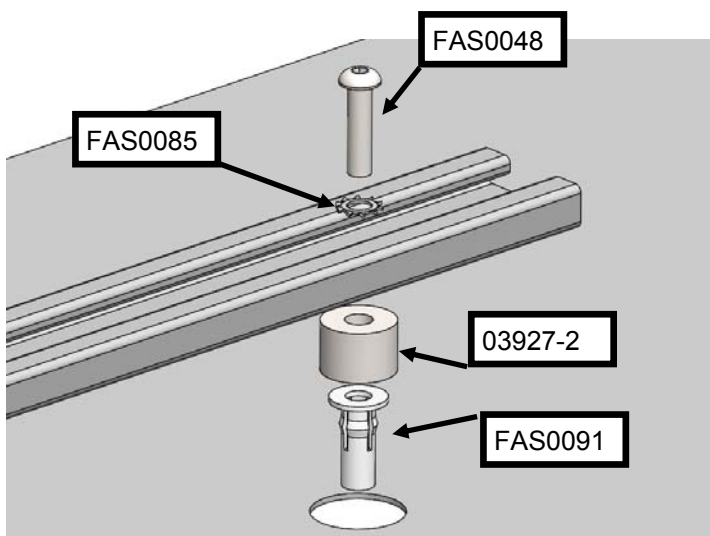


**Step 01** PLACE FLOOR RAILS INTO THE VAN AS SHOWN

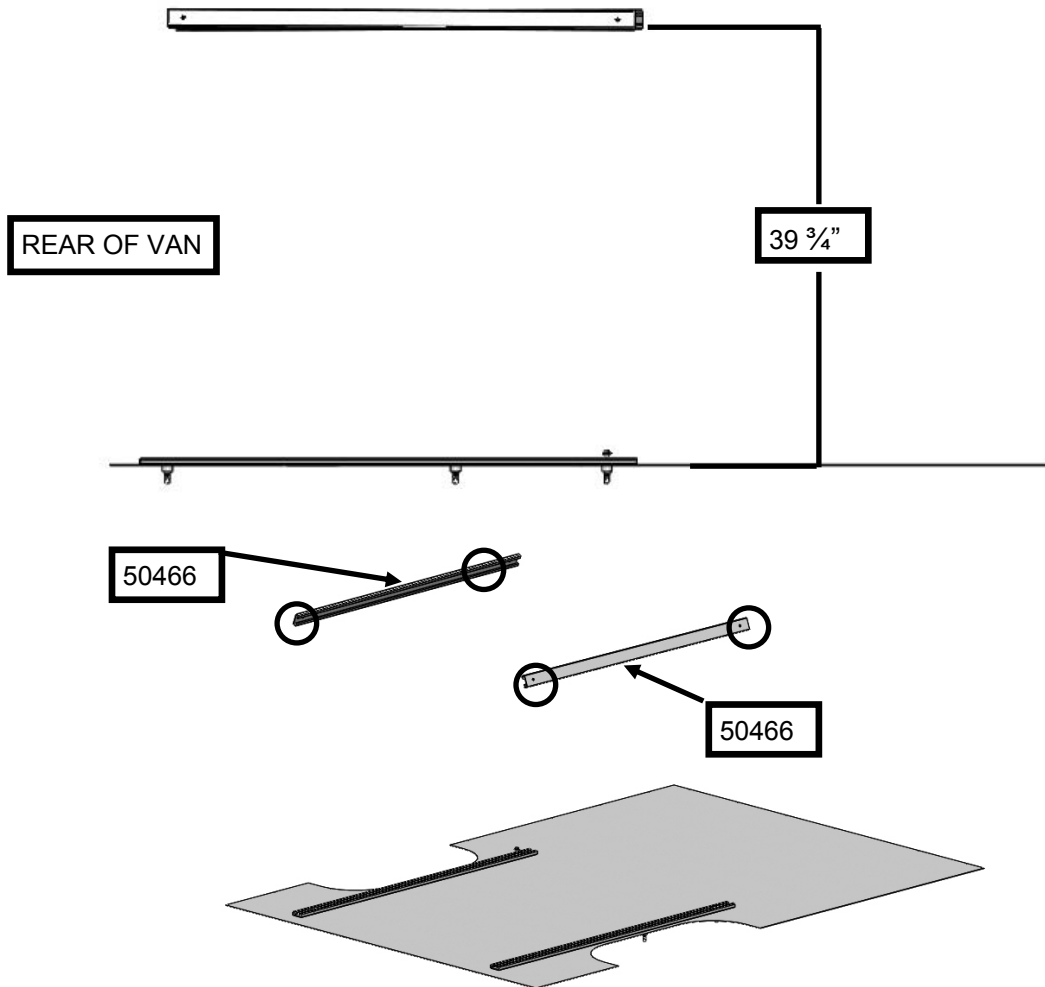


**STEP 02** FASTEN RAILS TO FLOOR USING FASTENERS SHOWN

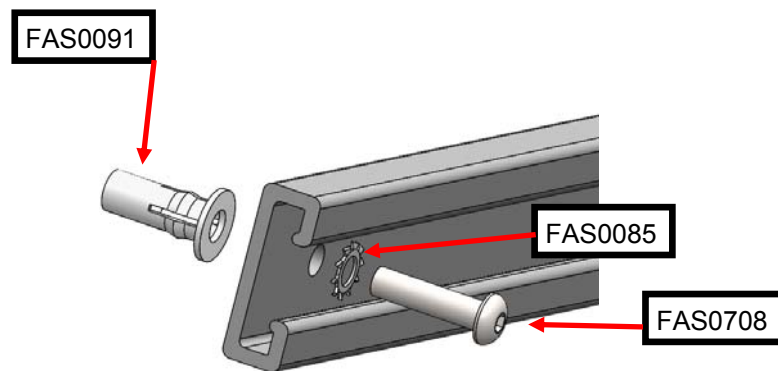
REFER TO PAGE 3 FOR INSTALLING PLUSNUTS



**Step 04** PLACE UPPER RAILS 39 3/4" OFF THE FLOOR, MARK THE 2 MOUNTING POINTS ON STREETSIDE AND 2 ON CURBSIDE. DRILL AND SET PLUSNUTS

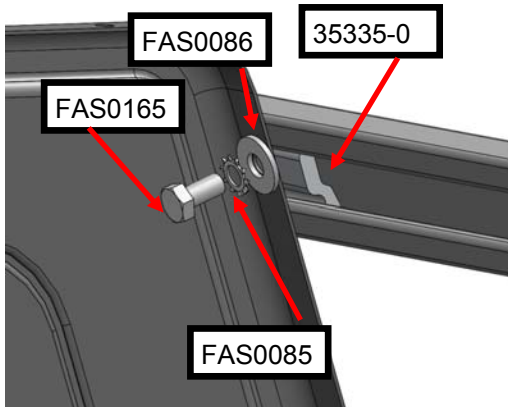


**Step 05** ATTACH THE RAILS TO WALL OF VAN USING THE LOCATIONS IN THE PREVIOUS STEP. INSTALL 2 SLIDES (35335-0) INTO THE TOP RAILS BEFORE INSTALLING

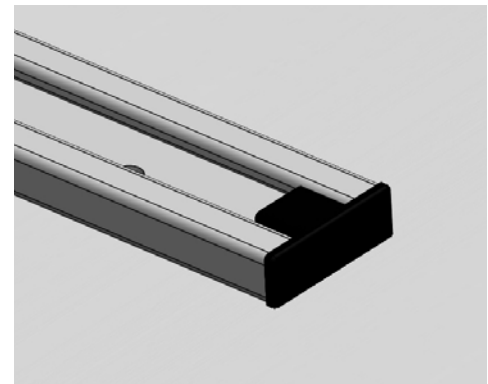
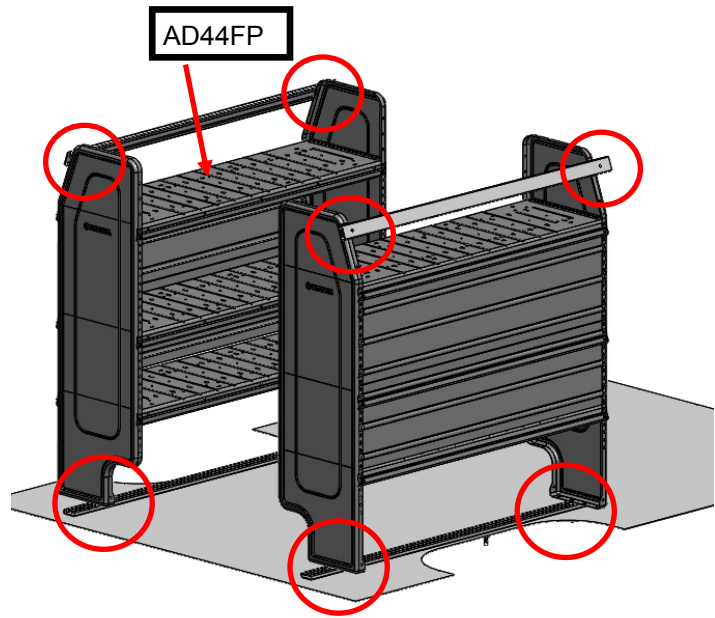
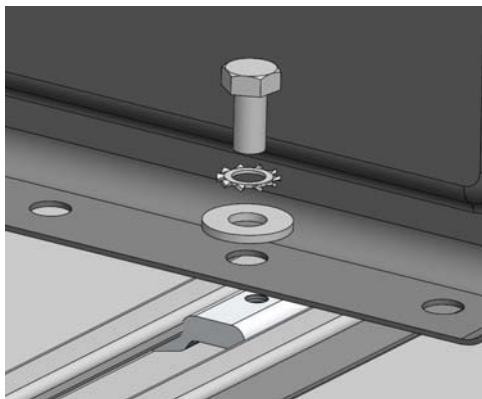


**Step 06** PLACE THE SHELVING UNITS INTO THE VAN AND ATTACH TO RAILS AS SHOWN. INSTALL 2 SLIDES (35335-0) INTO EACH RAIL PER SHELF INSTALLED

**WALL MOUNTING**



**FLOOR MOUNTING**



INSTALL END CAP (36496-0) INTO THE FRONT AND REAR ON THE FLOOR RAILS. AND IN THE FRONT OF THE TOP RAILS. 6 TOTAL

**DOUBLE CHECK ALL FASTENERS LOCATIONS TO BE SURE THAT ALL FASTENERS ARE TIGHTENED TO SPECIFICATIONS.  
YOUR INSTALLATION IS NOW COMPLETE!  
STOW THIS COPY IN THE VEHICLE FOR FUTURE REFERENCES!**