



ADRIAN STEEL®

Cargo Management Solutions for Commercial Vehicles

SF UNIT, T, 2T, 16X60X30, A, 3

PRODUCT WEIGHT

80 lbs

WIDTH X DEPTH X HEIGHT

60" X 16" X 30"

CAPACITY

250 lbs per shelf

COLOR

**Gray with ASC
Blue End Caps**

CATALOG NUMBER

PTSU2T166030A3



PRODUCT FEATURES

This shelving unit is made to be mounted to Extendedobed slide-outs. It is free standing and mounts using threaded inserts installed in the wood top. The front lips are 2 3/8" and the rear lips are 4 1/2". The shelving system is rated to 50 lbs/ft of shelving or 250 lbs for this 5 ft shelf.

This is a modular shelving kit made up of an end panel kit, an end cap kit, and a shelf kit.

SEE PAGE 2 FOR APPLICATION NOTES, ACCESSORIES AND OTHER PRODUCTS THAT WORK WITH THIS UNIT.

**SF UNIT, T, 2T, 16X60X30, A, 3**

CATALOG NUMBER
PTSU2T166030A3

PRODUCT APPLICATION

This free-standing shelving unit is designed to be mounted to Extended side-outs.

ACCESSORIES THAT WILL WORK WITH THIS PRODUCT

CATALOG NUMBER	DESCRIPTION (smart)
WRH3	WIRE SPOOL HOLDER, 3-BAR
ACH3-8	AEROSOL CAN HLDR, LG 3-HL
1NTR	TANK HOLDER, NITROGEN

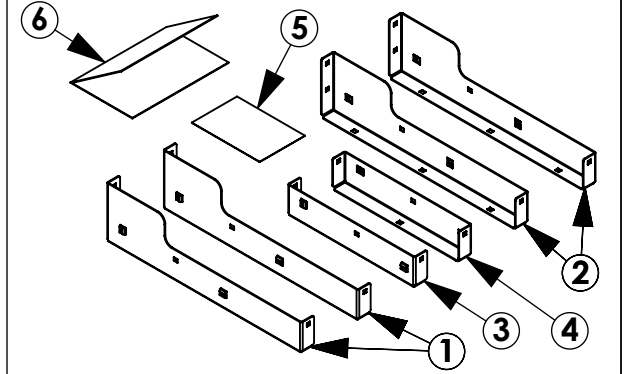
NOTE: THIS INSTRUCTION IS VALID FOR THE FOLLOWING KITS:

TRUCK END CAP KITS

- PECKT2T16A3
- PECKT2T16A1

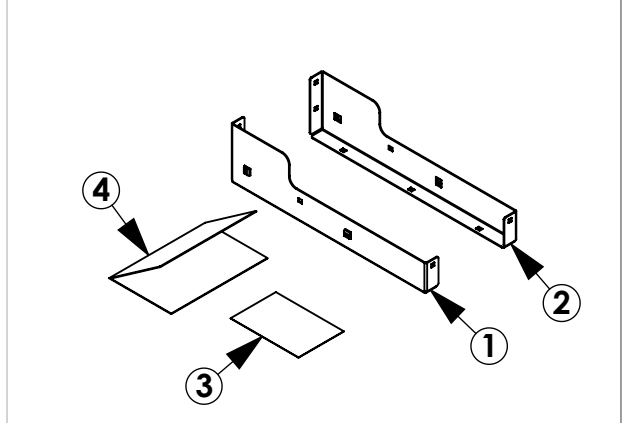
PECKT2T16A3

ITEM NO.	PART NUMBER	DESCRIPTION	QTY.
1	PECT2T16L-A	END CAP,T,2T,16D,LEFT, A	2
2	PECT2T16R-A	END CAP,T,2T,16D,RIGHT, A	2
3	PEC2S10L-A	END CAP,2S,10D,LEFT, A	1
4	PEC2S10R-A	END CAP,2S,10D,RIGHT, A	1
5	BAGPECK2T3	BAG FOR BAGPECK2T3	1
6	INS-PECK	INSTALL INS FOR END CAP KITS	1



PECKT2T16A1

ITEM NO.	PART NUMBER	DESCRIPTION	QTY.
1	PECT2T16L-A	END CAP,T,2T,16D,LEFT, A	1
2	PECT2T16R-A	END CAP,T,2T,16D,RIGHT, A	1
3	BAGPECK2T1	BAG FOR BAGPECK2T1	1
4	INS-PECK	INSTALL INS FOR END CAP KITS	1



TOOLS NEEDED:

- 7/16" SOCKET
- TAPE MEASURE
- MARKER

GET TO KNOW THE VEHICLE - AT THE BEGINNING OF ANY INSTALLATION, CHECK THE LOCATION OF THE FUEL TANK, FUEL LINES, BRAKE LINES, HIGH VOLTAGE BATTERIES AND WIRING HARNESES TO AVOID INJURY OR PROPERTY DAMAGE FROM TOOL CONTACT.

SEAL ALL EXTERIOR HOLES - ALL INSTALLATION HOLES SHOULD BE SEALED WITH BUTYL TAPE OR SILICON TO PREVENT WATER AND EXHAUST GASES FROM ENTERING THE VEHICLE.

CONTROL DRILL DEPTH - TO AVOID DAMAGE TO THE VEHICLE, USE A DRILL STOP OR CLEARED STEP BIT WHEN DRILLING INSTALLATION HOLES.

ALWAYS ADD PRIMER - WHEN ADDING INSTALLATION HOLES BE SURE TO USE A SELF-ETCHING PRIMER TO PREVENT CORROSION, FASTENER FAILURE AND INJURY.

MOUNTING POINTS MUST HAVE METAL-TO-METAL CONTACT - USE PROVIDED MOUNTING SPACERS TO ACCOMMODATE FOR VEHICLE FEATURES, CARPET OR SUBFLOORS.

PROVIDE CLEARANCE FOR SPACERS - IF THE INSTALLATION VEHICLE CONTAINS A CARPET OR SUBFLOOR, USE A 1-3/16" DIAMETER CARPET CUTTER (P/N: 31183-0) AT ALL MOUNTING LOCATIONS TO OPEN UP ROOM FOR SPACERS.

CHECK SPACER ORIENTATION - BE SURE THAT THE INDENT IN THE SPACER COVERS THE PLUSNUT HEAD; THIS ENSURES THE MOST METAL-TO-METAL CONTACT AND REDUCES VIBRATION.

PLUSNUT INSTALLATION - A PLUSNUT GUN IS RECOMMENDED FOR PLUSNUT INSTALLATION FOR ITS PRODUCTION SPEED. HOWEVER, A PLUSNUT SETTING TOOL CAN ALSO BE USED (P/N: 22200-0).

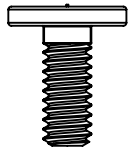
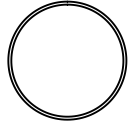
THRU-BOLT CLEARANCE - WHEN USING A THRU-BOLT AT ANY MOUNTING LOCATION, BE SURE THAT YOUR HOLE HAS 1/16" CLEARANCE.

FASTENERS USED

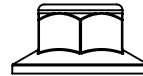
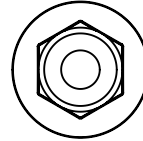
BAG REFERENCE:

BAGPECK2T3

THIS BAG IS FOR STANDARD 3 SHELF END CAP KITS



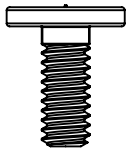
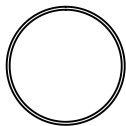
FAS0924
BOLT,CRG 1/4-20X.62 FH
QTY: 28



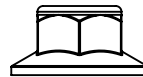
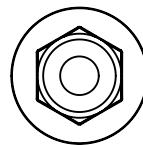
FAS0055
NUT,HEX NLK FLG 1/4-20
QTY: 28

BAGPECK2T1

THIS BAG IS FOR A STANDARD 1 SHELF END CAP KIT



FAS0924
BOLT,CRG 1/4-20X.62 FH
QTY: 10



FAS0055
NUT,HEX NLK FLG 1/4-20
QTY: 10

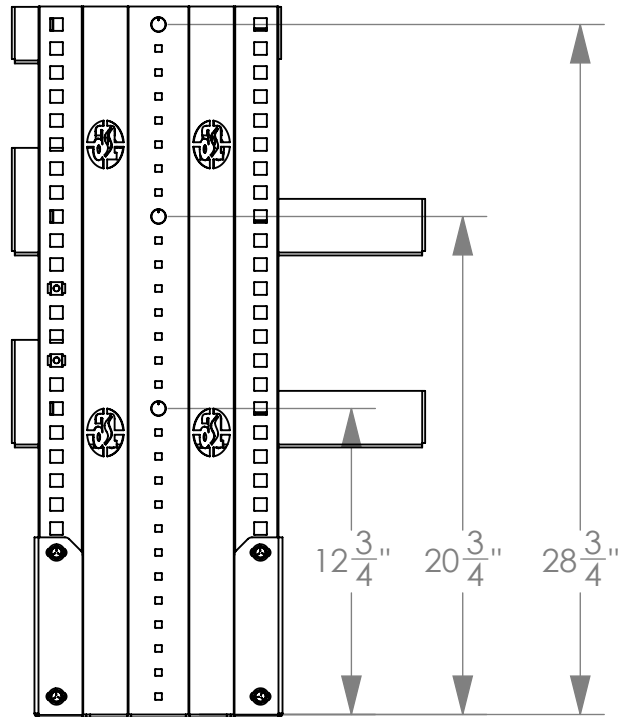
INTENTIONALLY LEFT BLANK

STEP 1 - MOUNT END CAPS TO END PANELS

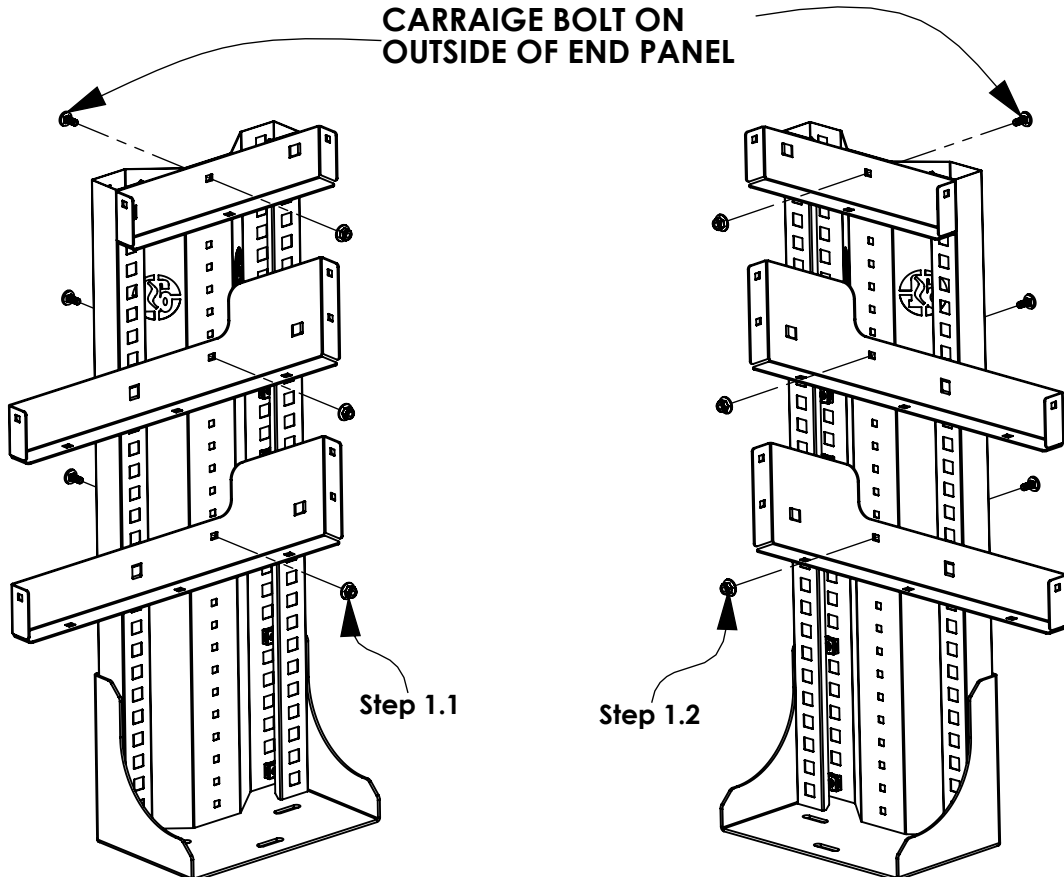
Step 1.1
SNAP END CAPS
INTO LEFT END
PANEL
AND
FULLY TIGHTEN
FAS0924 AND
FAS0055
(3 PLACES)
7/16" SOCKET

Step 1.2
SNAP END CAPS
INTO RIGHT END
PANEL
AND
FULLY TIGHTEN
FAS0924 AND
FAS0055
(3 PLACES)
7/16" SOCKET

STANDARD TRUCK SHELF HEIGHTS



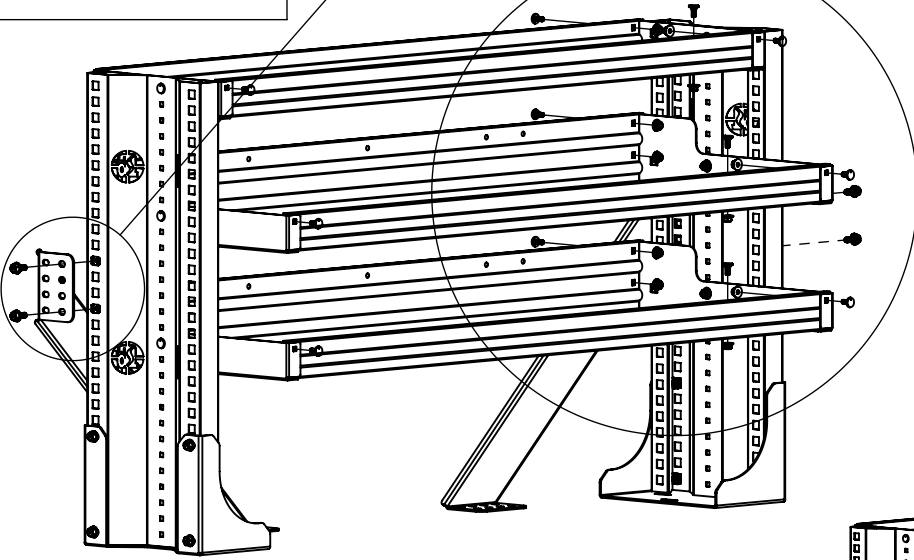
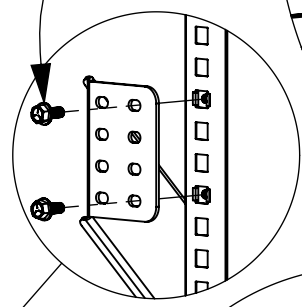
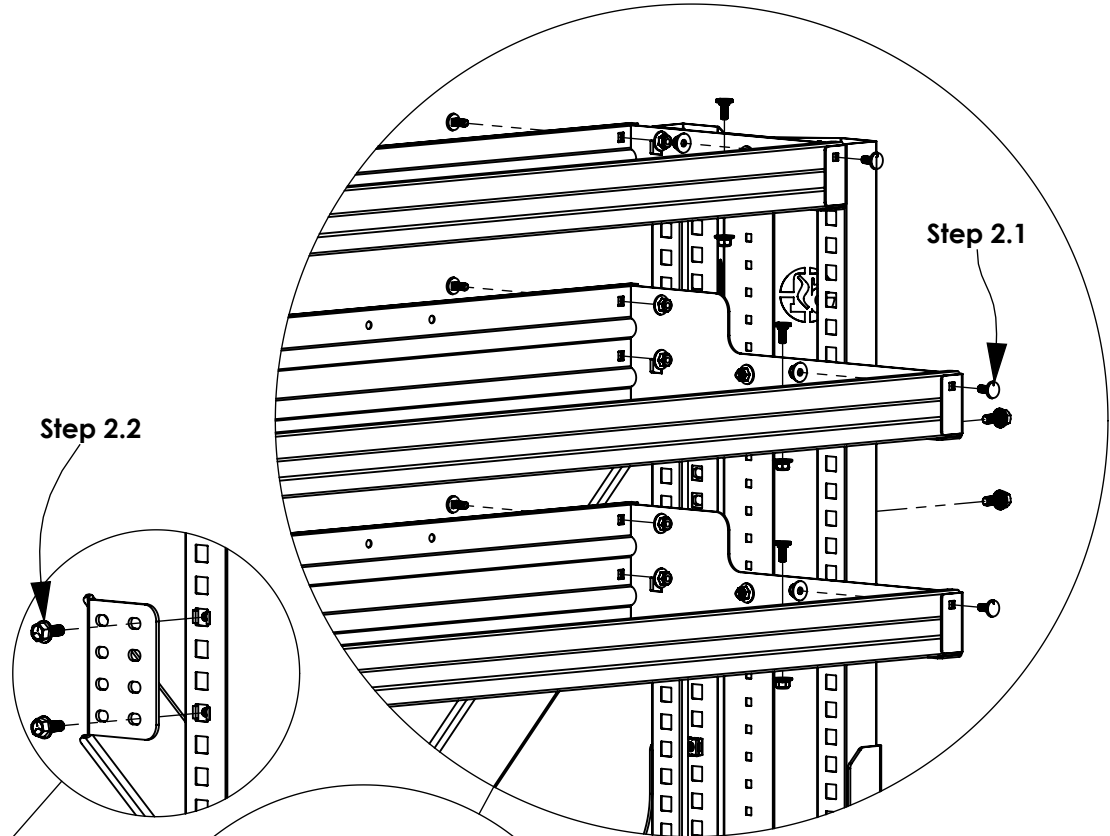
CARRIAGE BOLT ON
OUTSIDE OF END PANEL



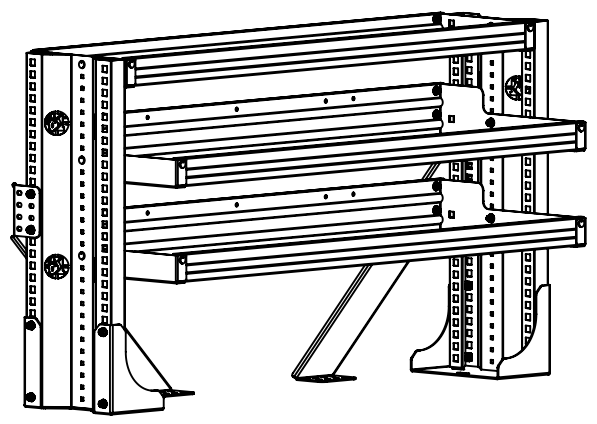
STEP 2 - FASTEN SHELVES TO END CAPS

**Step 2.1
FASTEN SHELVES
TO END CAPS
AND
FULLY TIGHTEN
FAS0941 AND
FAS0055
(22 PLACES)
7/16" SOCKET**

**Step 2.2
FASTEN BRACES
TO END PANEL
FULLY TIGHTEN
FAS0438
(4 PLACES)
1/2" SOCKET
(FOUND IN END
PANEL KIT)**

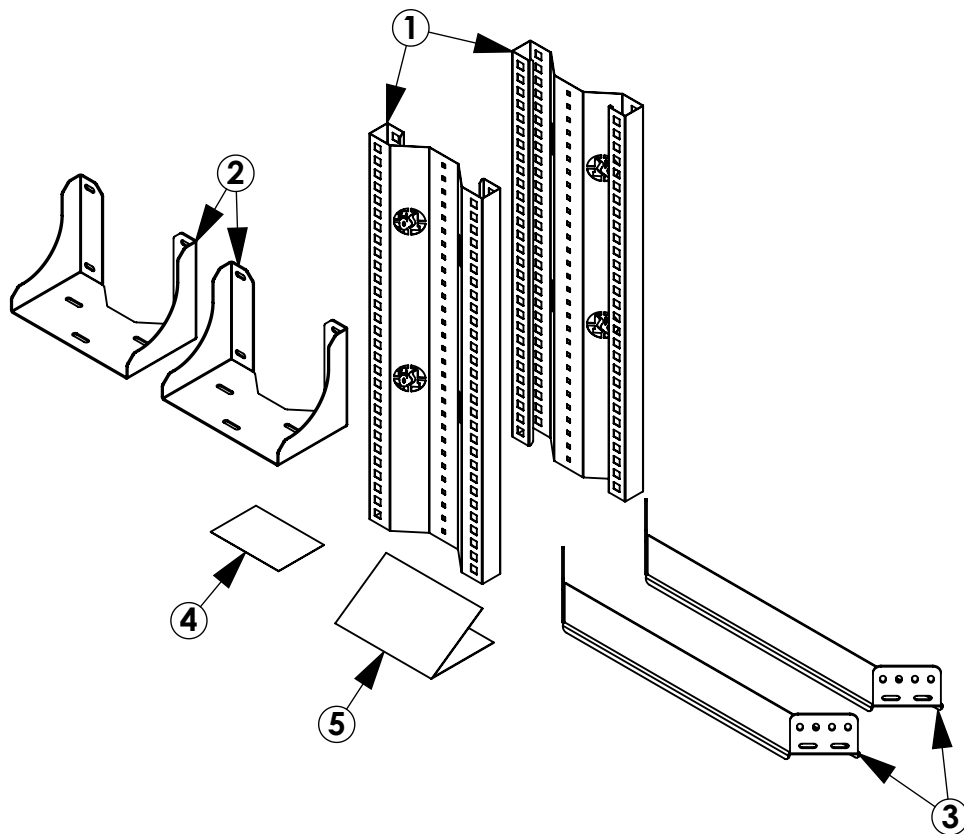


COMPLETED VIEW



**AFTER COMPLETING STEP 2, RETURN TO
INS-PEPK FOR MOUNTING INSTRUCTIONS.**

INSTR. NUMBER	PG:	REV:	ITEM NO.	PART NUMBER	DESCRIPTION	QTY.
: INS-PEPK	1	B	1	PEP1030-G	END PANEL,10X30, GRAY	2
			2	PEPFMB10-G	END PANEL,T,FLR MNT,10, GRAY	2
PART NUMBER : PEPKT1030G			3	PEPTB-G	END PANEL TRUCK BRACE, G	2
			4	BAGPEPKT	BAG FOR TRUCK END PANEL KITS	1
PART DESC. : END PANEL KIT,T,10X30,G			5	INS-PEPKT	INSTALL INSTRUCTIONS FOR PEPKT	1



TOOLS NEEDED:

- 1/2" Socket
- 8mm ALLEN BIT
- DRILL
- 7/16" DRILL BIT
- MARKER

GET TO KNOW THE VEHICLE - AT THE BEGINNING OF ANY INSTALLATION, CHECK THE LOCATION OF THE FUEL TANK, FUEL LINES, BRAKE LINES, HIGH VOLTAGE BATTERIES AND WIRING HARNESSSES TO AVOID INJURY OR PROPERTY DAMAGE FROM TOOL CONTACT.

SEAL ALL EXTERIOR HOLES - ALL INSTALLATION HOLES SHOULD BE SEALED WITH BUTYL TAPE OR SILICON TO PREVENT WATER AND EXHAUST GASES FROM ENTERING THE VEHICLE.

CONTROL DRILL DEPTH - TO AVOID DAMAGE TO THE VEHICLE, USE A DRILL STOP OR CLEARED STEP BIT WHEN DRILLING INSTALLATION HOLES.

ALWAYS ADD PRIMER - WHEN ADDING INSTALLATION HOLES BE SURE TO USE A SELF-ETCHING PRIMER TO PREVENT CORROSION, FASTENER FAILURE AND INJURY.

MOUNTING POINTS MUST HAVE METAL-TO-METAL CONTACT - USE PROVIDED MOUNTING SPACERS TO ACCOMMODATE FOR VEHICLE FEATURES, CARPET OR SUBFLOORS.

PROVIDE CLEARANCE FOR SPACERS - IF THE INSTALLATION VEHICLE CONTAINS A CARPET OR SUBFLOOR, USE A 1-3/16" DIAMETER CARPET CUTTER (P/N: 31183-0) AT ALL MOUNTING LOCATIONS TO OPEN UP ROOM FOR SPACERS.

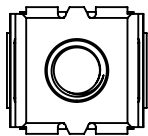
CHECK SPACER ORIENTATION - BE SURE THAT THE INDENT IN THE SPACER COVERS THE PLUSNUT HEAD; THIS ENSURES THE MOST METAL-TO-METAL CONTACT AND REDUCES VIBRATION.

PLUSNUT INSTALLATION - A PLUSNUT GUN IS RECOMMENDED FOR PLUSNUT INSTALLATION FOR ITS PRODUCTION SPEED. HOWEVER, A PLUSNUT SETTING TOOL CAN ALSO BE USED (P/N: 22200-0).

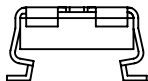
THRU-BOLT CLEARANCE - WHEN USING A THRU-BOLT AT ANY MOUNTING LOCATION, BE SURE THAT YOUR HOLE HAS 1/16" CLEARANCE.

FASTENERS USED

BAG REFERENCE: BAGPEPKT

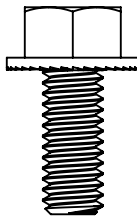


FAS-SQR
CAGE NUT, 5/16-18
QTY: 12

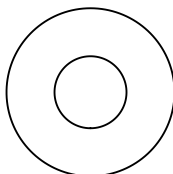


FAS0921

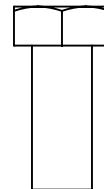
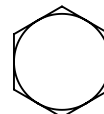
5/16-18 THREADED INSERT.
QTY: 10



FAS0438
SCREW, HFLNG 5/16-18X.75
QTY: 12



FAS0086
WASHER, FLAT USS 5/16
QTY: 10



FAS0081
SCREW, HH 5/16-18X.75.
QTY: 10



FAS0098
WASHER, LCK SPLIT 5/16
QTY: 10

INTENTIONALLY LEFT BLANK

STEP 1 - MOUNT FLOOR MOUNTS TO END PANELS

Step 1.1

**INSTALL
FAS0915 ON
THE OUTER
FACE OF THE
END PANEL**

Step 1.3

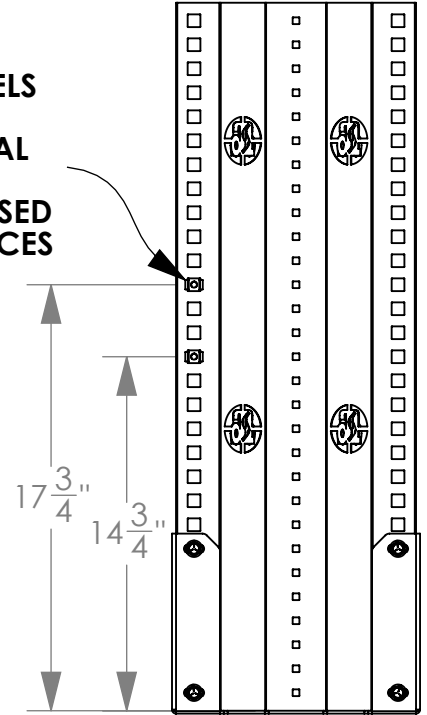
FULLY TIGHTEN

**FAS0438
(4 PLACES)
1/2" SOCKET**

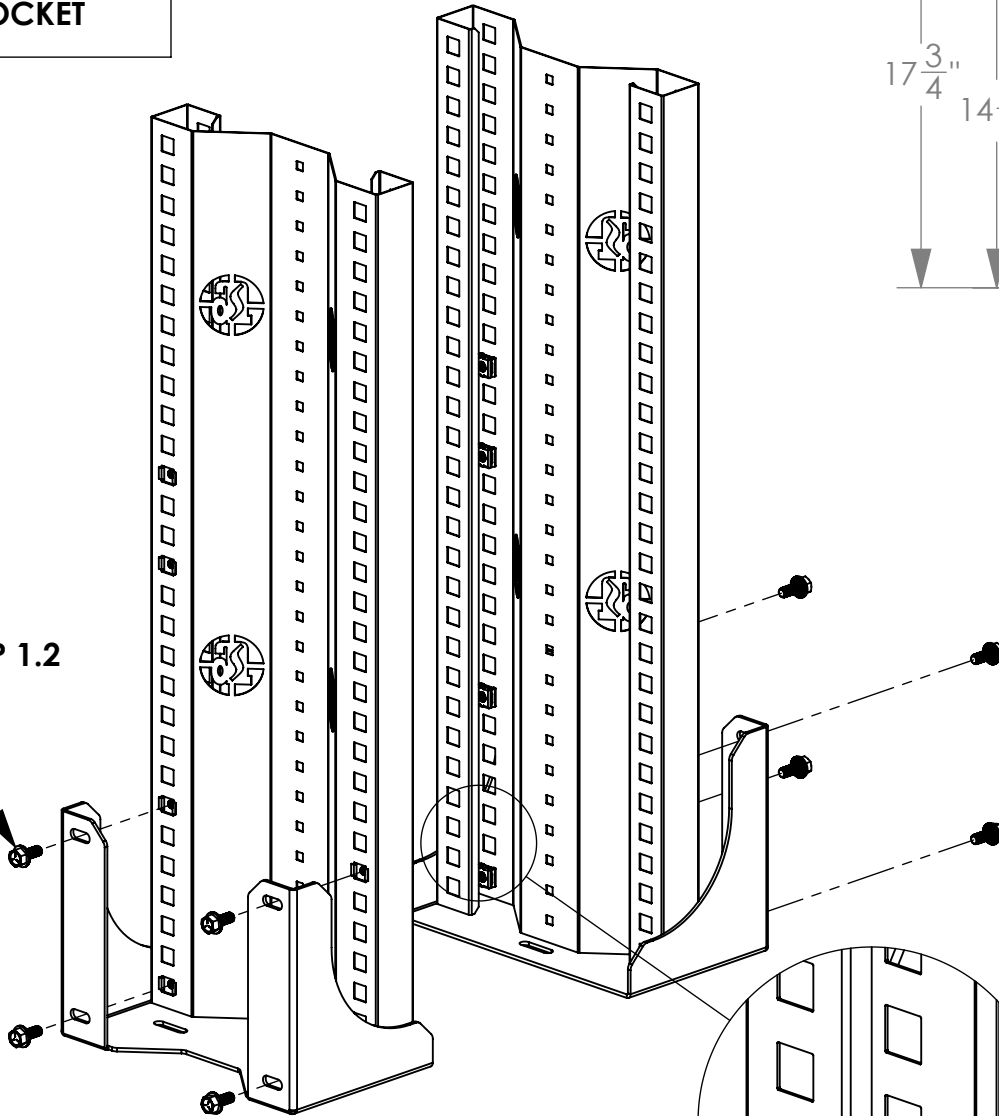
**STEP 1.1
BOTH END PANELS**

(4) PLACES TOTAL

**THESE WILL BE USED
TO MOUNT BRACES**



STEP 1.2



**SNAP FAS0915
INTO END PANEL
(8 PLACES)**



**REFERENCE: GO TO INS-PECK FOR END CAP
AND SHELF MOUNTING INSTRUCTIONS**

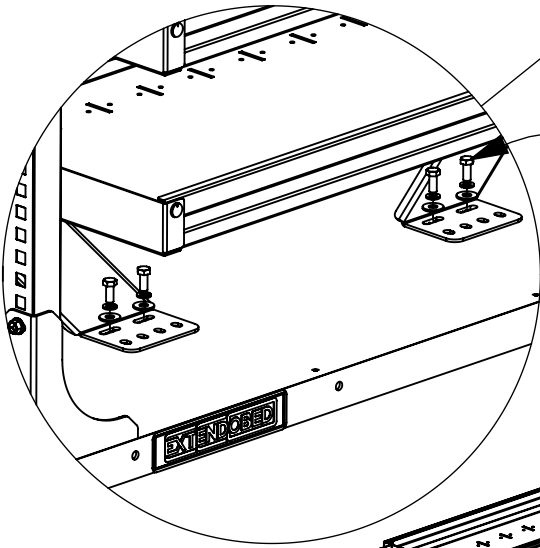
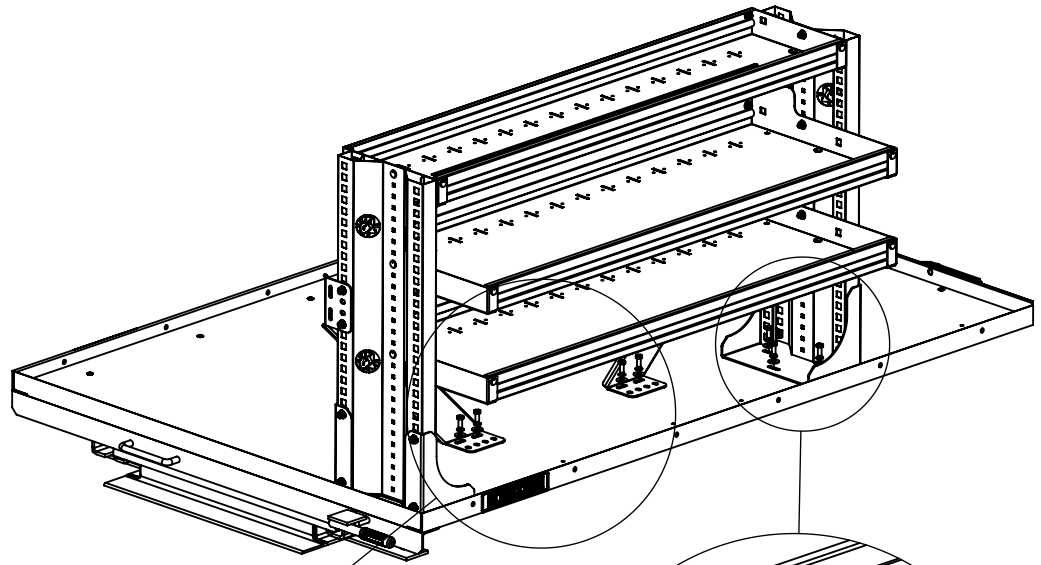
STEP 2 - MOUNT ASSEMBLED SHELVING UNIT TO EXTENDOBED

Step 2.1

**MARK AND
DRILL HOLES
USING A 7/16"
DRILL BIT
(10 PLACES)**

Step 2.2

**FULLY TIGHTEN
FAS0086,
FAS0098,
FAS0081, AND
FAS0921
(10 PLACES PER
UNIT)
1/2" SOCKET**



STEP 2.2

