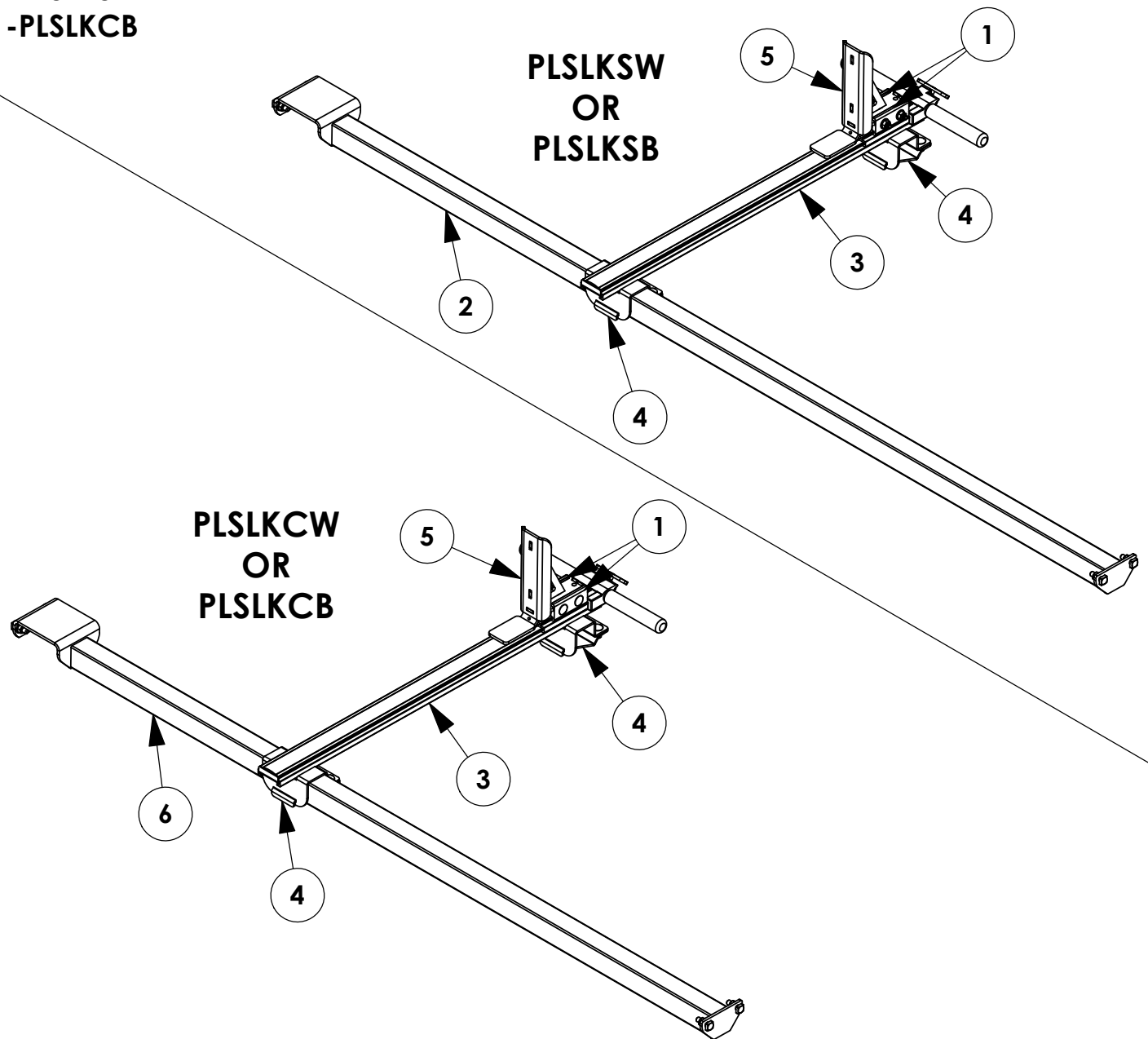


INSTR. NUMBER	PG:	REV:	ITEM NO.	PART NUMBER	DESCRIPTION	PLSLKSW	PLSLKCW
: <b>68881</b>	<b>1</b>	<b>B</b>	1	65963-W	STOP CLAMP, WHITE	2	2
			2	68733-W	SLK,PL,FSV,I/S BAR, WHITE	1	-
PART NUMBER : <b>PLSLKS &amp; PLSLKC</b>			3	68877-W	SLK,PL,HANDLE ASM,STD, WHITE	1	1
PART DESC. : PROLIFT,SLK,FSV,STD & PROLIFT,SLK,CV,STD			4	68732-W	SLK,PL,LOWER CLAM CLAMP, WHITE	2	2
<b>NOTE: THIS INSTRUCTION IS VALID FOR THE FOLLOWING KITS:</b>			5	68885-BPB	SLK,PL,CLAMP PLASTISOL,B	1	1
			6	68739-W	SLK,PL,CV,I/S BAR, WHITE	-	1

- PLSLKSW
- PLSLKCW
- PLSLKSB
- PLSLKCB

**-PART NUMBERS WITH "-W" SUFFIX ARE PAINTED WHITE**  
**-FOR BLACK KITS, REPLACE "-W" PARTS WITH "-B" PARTS**



**GET TO KNOW THE VEHICLE** - AT THE BEGINNING OF ANY INSTALLATION, CHECK THE LOCATION OF THE FUEL TANK, FUEL LINES, BRAKE LINES, HIGH VOLTAGE BATTERIES AND WIRING HARNESSSES TO AVOID INJURY OR PROPERTY DAMAGE FROM TOOL CONTACT.

**SEAL ALL EXTERIOR HOLES** - ALL INSTALLATION HOLES SHOULD BE SEALED WITH BUTYL TAPE OR SILICON TO PREVENT WATER AND EXHAUST GASES FROM ENTERING THE VEHICLE.

**CONTROL DRILL DEPTH** - TO AVOID DAMAGE TO THE VEHICLE, USE A DRILL STOP OR CLEARED STEP BIT WHEN DRILLING INSTALLATION HOLES.

**ALWAYS ADD PRIMER** - WHEN ADDING INSTALLATION HOLES BE SURE TO USE A SELF-ETCHING PRIMER TO PREVENT CORROSION, FASTENER FAILURE AND INJURY.

**MOUNTING POINTS MUST HAVE METAL-TO-METAL CONTACT** - USE PROVIDED MOUNTING SPACERS TO ACCOMMODATE FOR VEHICLE FEATURES, CARPET OR SUBFLOORS.

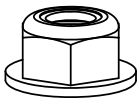
**PROVIDE CLEARANCE FOR SPACERS** - IF THE INSTALLATION VEHICLE CONTAINS A CARPET OR SUBFLOOR, USE A 1-3/16" DIAMETER CARPET CUTTER (P/N: 31183-0) AT ALL MOUNTING LOCATIONS TO OPEN UP ROOM FOR SPACERS.

**CHECK SPACER ORIENTATION** - BE SURE THAT THE INDENT IN THE SPACER COVERS THE PLUSNUT HEAD; THIS ENSURES THE MOST METAL-TO-METAL CONTACT AND REDUCES VIBRATION.

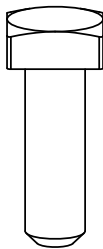
**PLUSNUT INSTALLATION** - A PLUSNUT GUN IS RECOMMENDED FOR PLUSNUT INSTALLATION FOR ITS PRODUCTION SPEED. HOWEVER, A PLUSNUT SETTING TOOL CAN ALSO BE USED (P/N: 22200-0).

**THRU-BOLT CLEARANCE** - WHEN USING A THRU-BOLT AT ANY MOUNTING LOCATION, BE SURE THAT YOUR HOLE HAS 1/16" CLEARANCE.

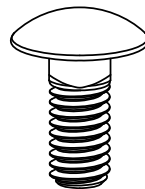
**FASTENERS USED**



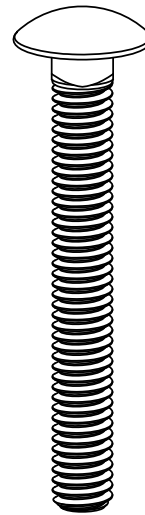
FAS0861  
NUT,HEX NLK FLG  
5/16-18SS  
QTY: 10



FAS0035  
BOLT,SQ HD  
5/16-18X1.0 SS  
QTY: 04

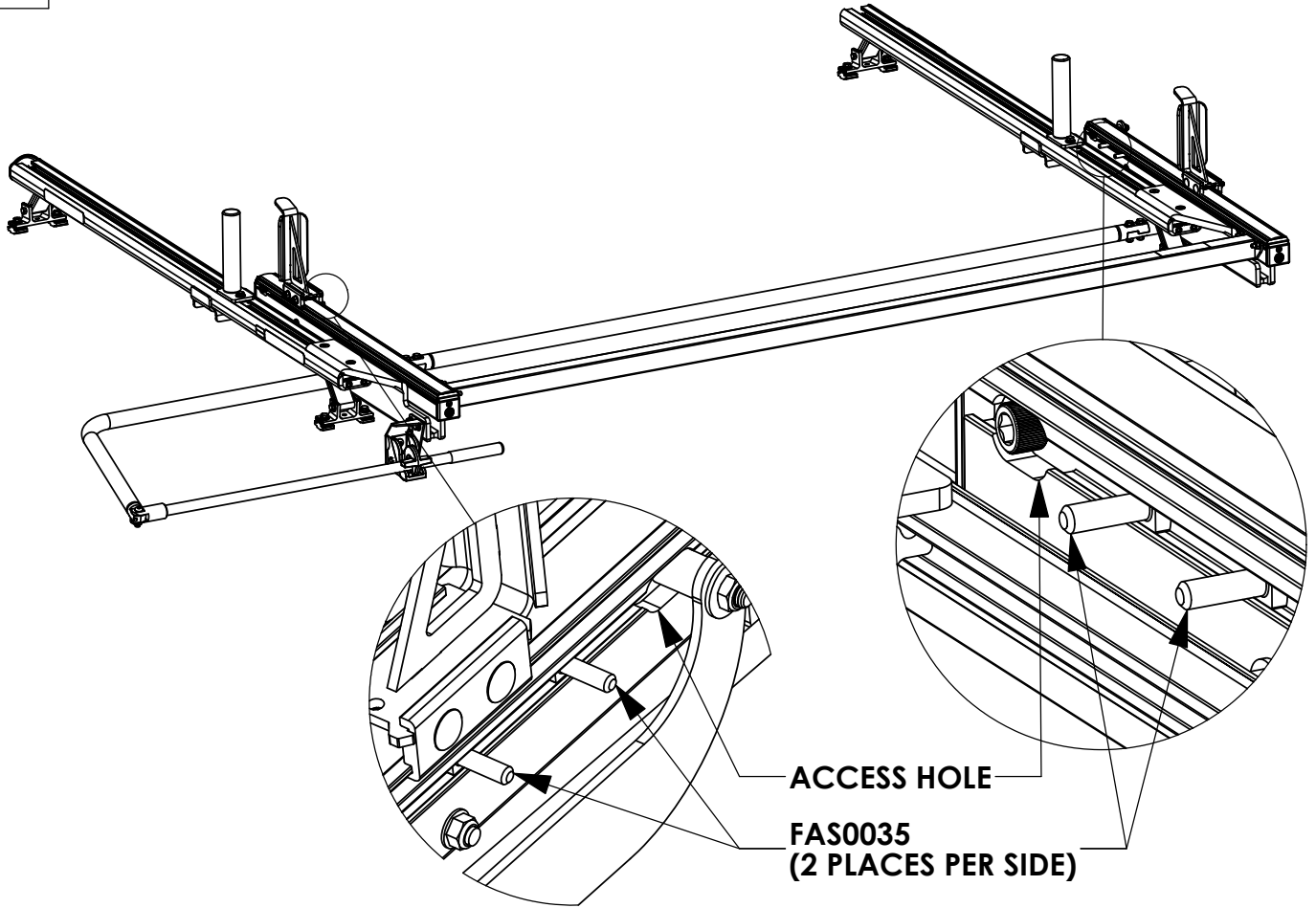


FAS0866  
BOLT,CRG  
5/16-18X.75 SS  
QTY: 04

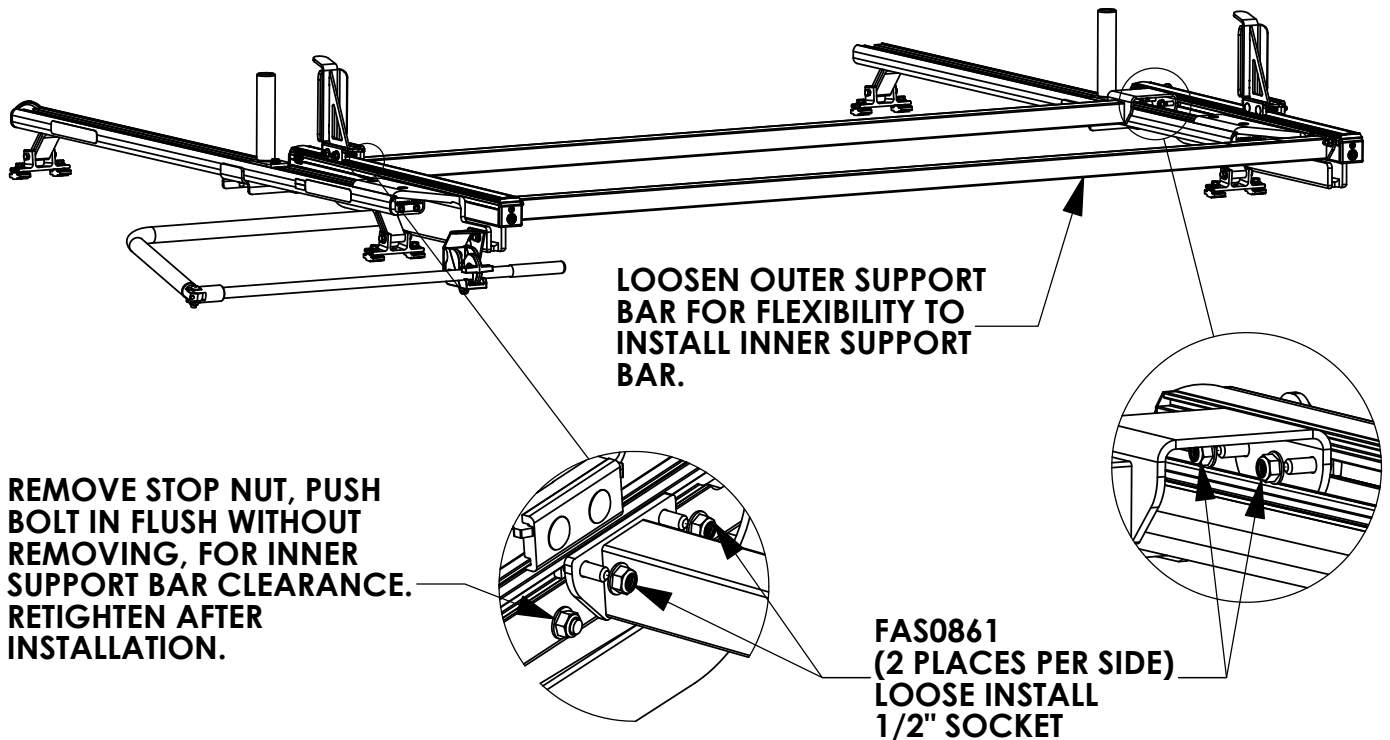


FAS0838  
BOLT,CRG  
5/16-18X2.5 SS  
QTY: 02

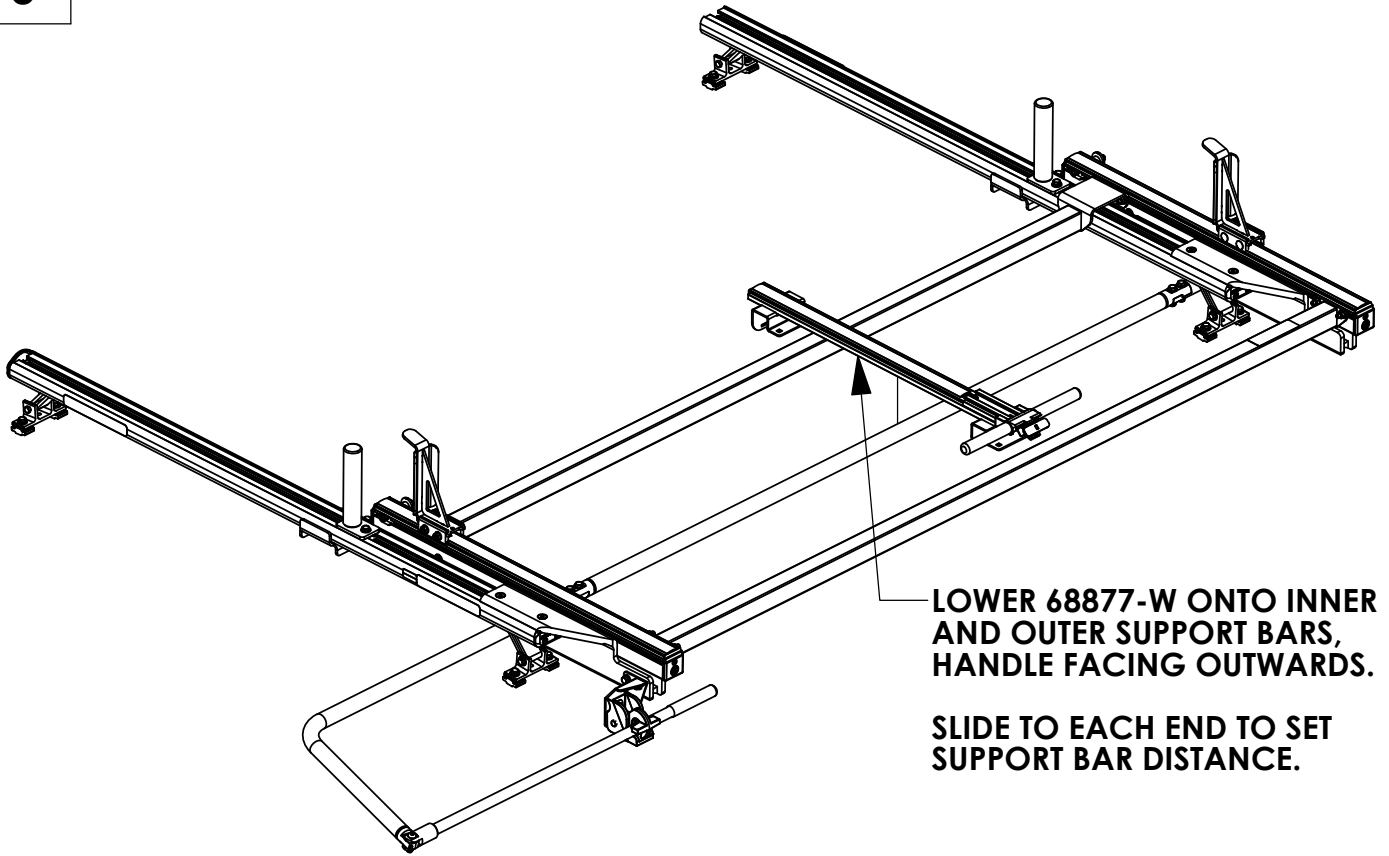
**STEP 1A - INSERT BOLTS INTO CARTRIDGES**



**STEP 1B - INSTALL INNER SUPPORT BAR**



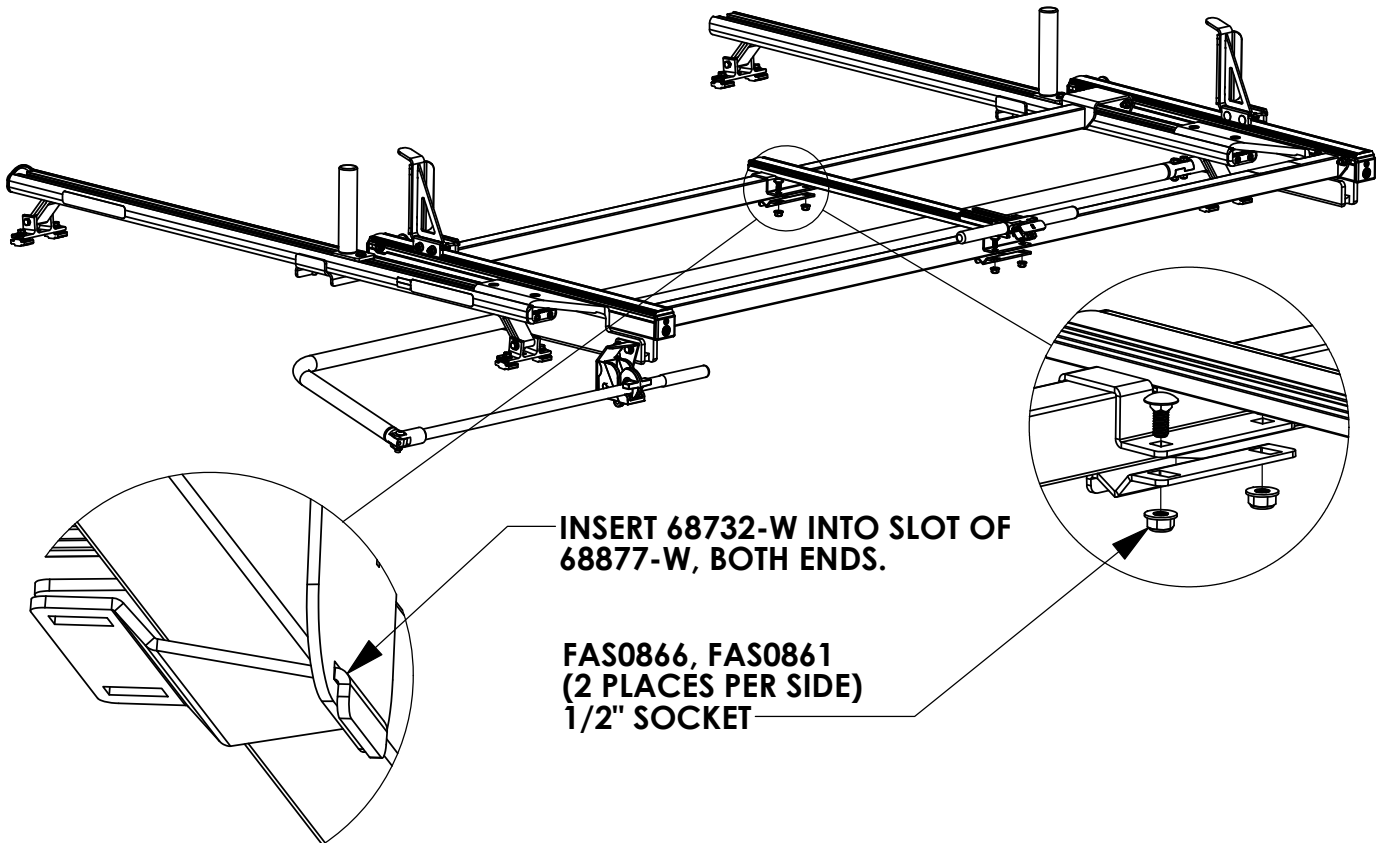
**STEP 2A - SET HANDLE ASSEMBLY DOWN SPANNING BOTH SUPPORT BARS**



LOWER 68877-W ONTO INNER AND OUTER SUPPORT BARS, HANDLE FACING OUTWARDS.

SLIDE TO EACH END TO SET SUPPORT BAR DISTANCE.

**STEP 2B - INSTALL LOWER CLAMP BOTH ENDS**

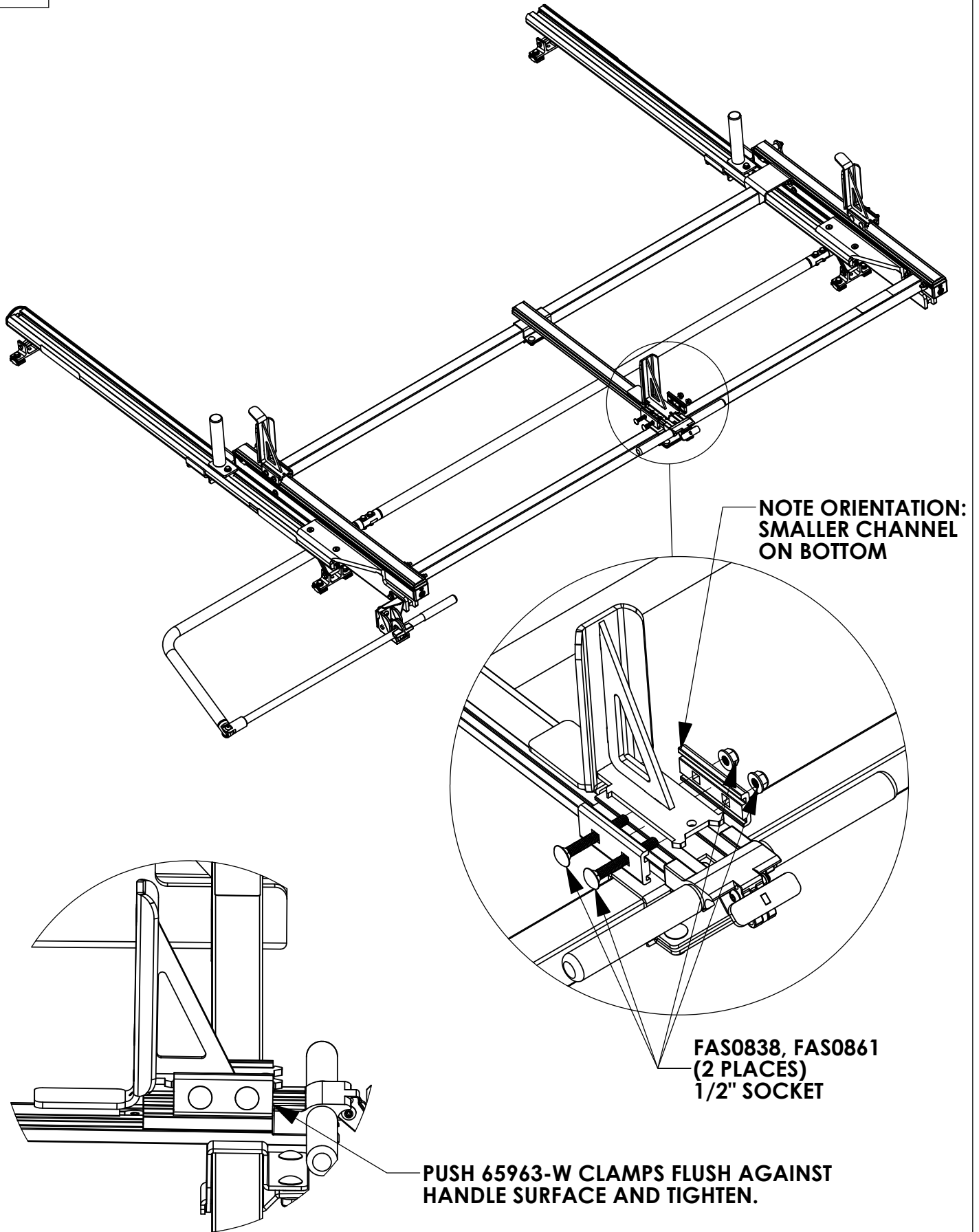


INSERT 68732-W INTO SLOT OF 68877-W, BOTH ENDS.

FAS0866, FAS0861  
(2 PLACES PER SIDE)  
1/2" SOCKET

**!! TIGHTEN ALL FASTENERS NOW !!**

**STEP 3 - INSTALL STEP LADDER KIT CLAMP**



**NOTE ORIENTATION:  
SMALLER CHANNEL  
ON BOTTOM**

**FAS0838, FAS0861  
(2 PLACES)  
1/2" SOCKET**

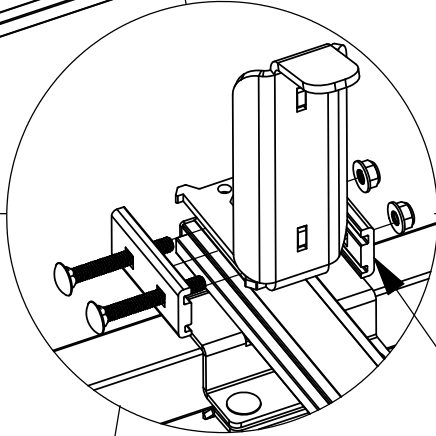
**PUSH 65963-W CLAMPS FLUSH AGAINST  
HANDLE SURFACE AND TIGHTEN.**

### STEP 4 - SIDE SPECIFIC CLAMP RELOCATION

REMOVE 68037-B CLAMP FROM  
**PASSENGER SIDE FRONT CARTRIDGE**  
AND REINSTALL ON STEP LADDER KIT AS  
SHOWN.  
1/2" SOCKET

PASSENGER SIDE  
FRONT OF VAN

PASSENGER SIDE  
REAR OF VAN



NOTE ORIENTATION:  
SMALLER CHANNEL  
ON BOTTOM

DRIVER SIDE  
FRONT OF VAN

MOVE FRONT  
CLAMP TOWARDS  
INNER STOP POST

DRIVER SIDE  
REAR OF VAN

REMOVE 68037-B CLAMP FROM  
**DRIVER SIDE REAR CARTRIDGE**  
AND REINSTALL ON STEP LADDER KIT  
AS SHOWN.  
1/2" SOCKET

ENSURE ALL FASTENERS HAVE BEEN TIGHTENED.

INSTALLATION COMPLETE. REFER TO END USER INSTRUCTIONS FOR FINAL ADJUSTMENT.

INSTR. NUMBER : **69500**

PG: **1** REV: **B**

PART NUMBER • ProLift Std. Step Ladder - Low Roof & Compact

PART DESC. • ProLift Std. Step Ladder Kit Adjustment Instructions

**MOVE CLAMP FROM OUTER EDGE OF LADDER TO INNER EDGE OF LADDER.**

**STEP 1: SLIDE SMALLER LADDER RUNG BACK AGAINST CLAMP.**

**STEP 2: WITH 1/2" SOCKET, LOOSEN NUTS (X4), SLIDE STEP LADDER KIT FORWARD OR REARWARD ON RACK TO ACCOMODATE STEP LADDER LENGTH, TIGHTEN NUTS. (X4)**

**DRIVER SIDE LADDER NEEDS CLAMPED AS SHOWN ON FRONT CROSSBOW!**

**MOVE FORWARD OR BACKWARD BASED ON LENGTH OF STEP LADDER.**

**STEP 1: SLIDE SMALLER LADDER RUNG BACK AGAINST CLAMP.**

**PASSENGER SIDE LADDER NEEDS CLAMPED AS SHOWN ON REAR CROSSBOW!**

**STEP 3: WITH 1/2" SOCKET, LOOSEN NUTS (X2), SLIDE CLAMP SO THAT IT IS SNUG AGAINST THE OUTSIDE OF LADDER, TIGHTEN NUTS. (X2)**

