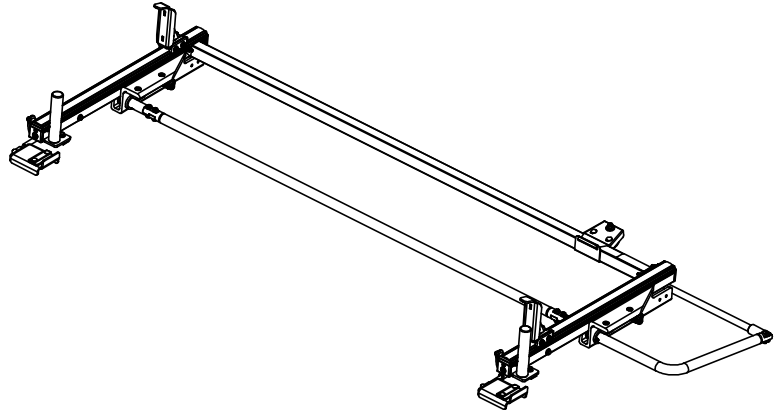


**ADRIAN STEEL®**

Cargo Management Solutions for Commercial Vehicles

# PROLIFT STANDARD DROP PASSENGER SIDE 6' LOW TOPPER LADDER RACKS

**PRODUCT WEIGHT****64.0 LBS****WIDTH X DEPTH X HEIGHT****82.00" X 32.00" X4.00"****CAPACITY****SINGLE LADDER****COLOR****WHITE/BLACK****CATALOG NUMBER****PLSDPSLT6W, PLSDPSLT6B**

## PRODUCT FEATURES

These ProLift Std Drop, low topper racks can be used on ADRIAN STEEL BIFF, LEER, UNICOVER and ARE truck toppers with bed lengths 8' with appropriate rail kit, crossbow kit and mounting bracket kit. Use rail kits, crossbow kits, and mounting bracket kits listed in the table below to create new rack combinations. This rack features an attached handle.

Unicover Toppers will use roof rail kits ending in UC (Ex. 4'6" Unicvoer topper would use RRTOP55UC)

Ignore the roof rail kit when ordering racks for ASC BIFF toppers as they ship with pre-installed rails.

The Standard-Drop ProLift™ has a single function that lowers™ the ladder to a single set height. Uses hook brackets to hold and secure ladders.

### Commercial Part Numbers

Vehicle Platform	Bed Length	Bed Length (in)	Roof Rail Kit	Crossbow kit	Mounting Bracket Kit	Pro-Lift (Passenger Side)	Pro-Lift (Drivers Side)
All	8'+	96"+	RRKTOP96/UC	2BARTOPW	URMBK4W	PLSDPSLT6	PLSDDSLT6

**NOTE: CROSSBAR KIT IS DIFFERENT FOR COMBO WITH GRIPLOCK. IN THIS CASE, USE 2BAR53W/B**

SEE PAGE 2 FOR APPLICATION NOTES, ACCESSORIES AND OTHER PRODUCTS THAT WORK WITH THIS UNIT.



# **PROLIFT STANDARD DROP PASSENGER SIDE 6' LOW TOPPER LADDER RACKS**

**CATALOG NUMBER**

**PLSDPSLT6W, PLSDPSLT6B**

## **PRODUCT APPLICATION**

**TOPPER PROLIFT LADDER RACKS ARE FOR USE ON PICKUP TRUCK BED TOPPERS, AVAILABLE IN 4 FT, 5 FT, AND 6 FT LENGTHS FOR ALL DIFFERENT SIZE TRUCK BEDS.**

**Reduce back and shoulder injuries while loading/unloading ladders by eliminating the need to climb on bumpers and tires to reach the cargo on the roof of your vehicle.**

**The ProLift™ uses unique, patent-pending, mechanical advantages, and high-performing spring assist struts to raise and lower ladders with an almost effortless pull.**

## **ACCESSORIES THAT WILL WORK WITH THIS PRODUCT**

CATALOG NUMBER	DESCRIPTION (smart)
RRKTOP96	ROOF RAIL KIT, TOPPER, 96"
RRKTOP96UC	ROOF RAIL KIT, TOPPER, 96" UNICOVER
2BARTOPW / B	2BAR UTILITY RACK, TOP
2BAR53W / B	2BAR, CROSSBOW, 53"
URMBK4W / B	UTILITY, MNT BKT KT, RAIL
GL-FSVDSW / B	GRIP-LOCK, FSV DS
PLSDDSLT6W/B	PROLIFT, STD, DS, LOW T, 6

**The information contained in this document is the sole property of ADRIAN STEEL COMPANY. ADRIAN STEEL COMPANY retains the right to modify and/or change the product of its design at any time with prior notification.**

INSTR. NUMBER : **69484**

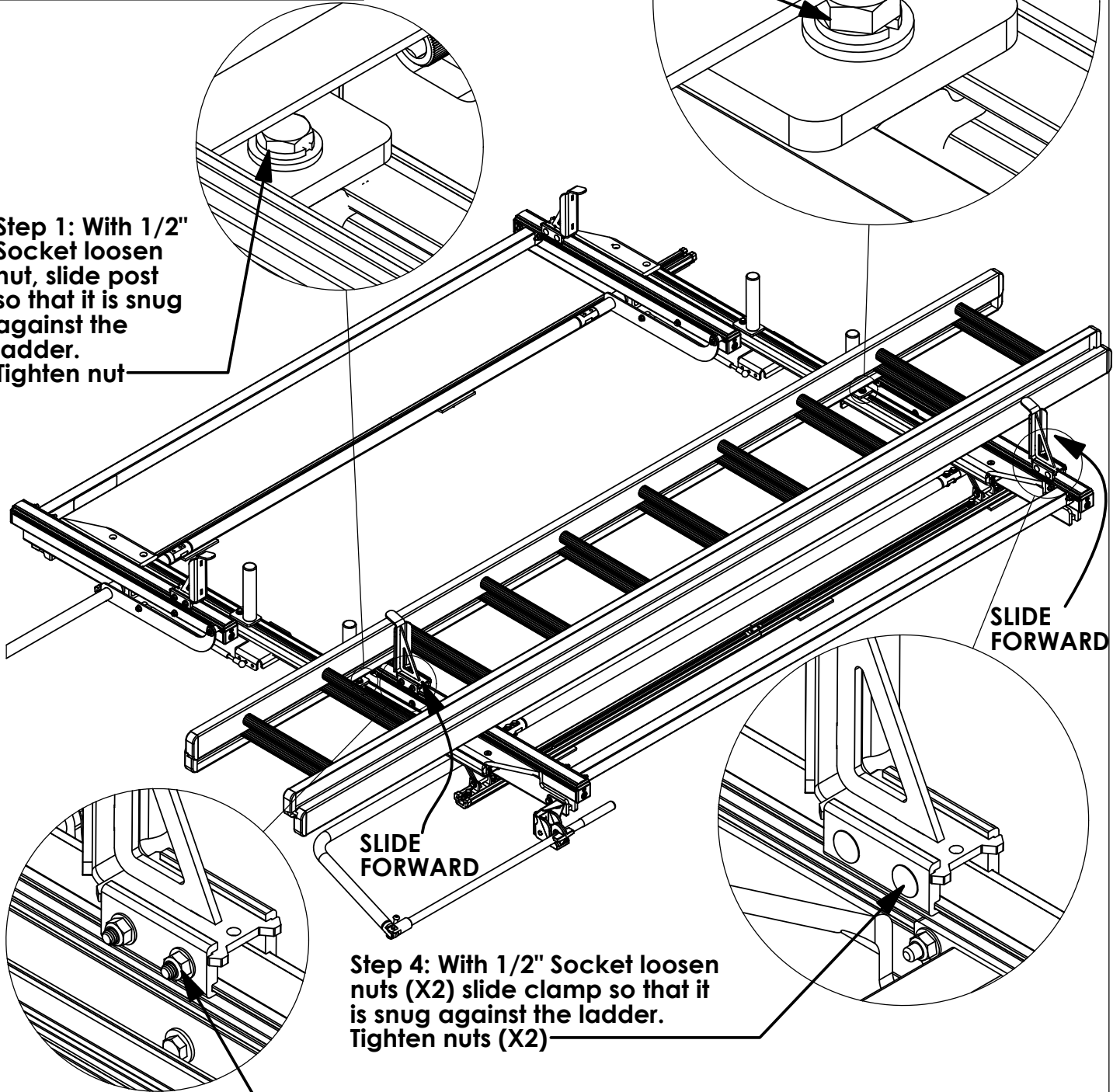
PG: **1** REV: **A**

PART NUMBER • **Standard Drop ProLift**  
• **Low & Compact Vans**

PART DESC. • ProLift Adjustment Instructions -  
• **Standard Drop**  
• **Low Roof & Compact Vans**

**Step 3: With 1/2" Socket loosen nut, slide post so that it is snug against the ladder. Tighten nut**

**Step 1: With 1/2" Socket loosen nut, slide post so that it is snug against the ladder. Tighten nut**



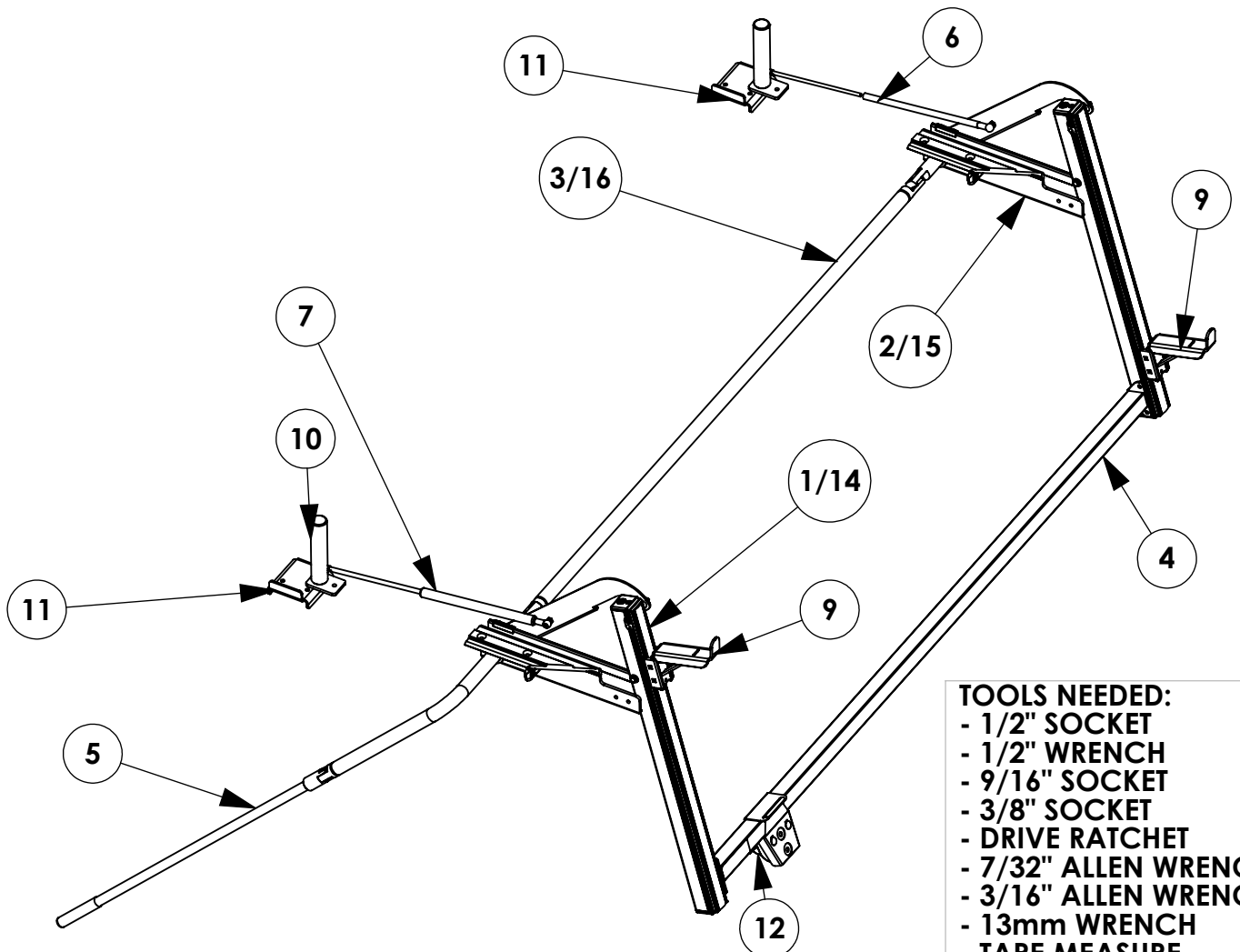
**Step 4: With 1/2" Socket loosen nuts (X2) slide clamp so that it is snug against the ladder. Tighten nuts (X2)**

**Step 2: With 1/2" Socket loosen nuts (X2) slide clamp so that it is snug against the ladder. Tighten nuts (X2)**

Once all brackets are adjusted operate rack to make sure clamps are not too tight

INSTR. NUMBER	PG:	REV:	ITEM NO.	PART NUMBER	DESCRIPTION	PLSDPSLT	PLSDDSLT			
<b>: 70118</b>	<b>1</b>	<b>D</b>	1/14	70104-W	PROLIFT,LST,DR ASM,PS,R,W	1	-			
			2/15	68031-W	DROP DOWN FRONT ARM ASSM PS, WHITE	1	-			
PART NUMBER	: PLSDPSLT & PLSDDSLT		3/16	66572-B	DROP DOWN, CS CENTER DRIVELINE, BLK	1	-			
			4	72698-W	PL, 6' PS, OS BAR W/ LATCH CLAMP, WHITE	1	1			
PART DESC.	PROLIFT,STD,PS,LT & PROLIFT,STD,DS,LT		5	66611-B	DROP DOWN, PIVOT HANDLE, BLK	1	1			
			6	48265	DAMPER ASSEMBLY	1	1			
<b>5' AND 6' RACKS WILL USE;</b>			7	58239	COMPRESSION DAMPER	1	1			
			8	65963-W	STOP CLAMP, WHITE	4	4			
			9	68037-B	CLAMP PAD, 6.5", BLACK	2	2			
			10	68186-W	PROLIFT INNER POST, WHITE	2	2			
			11	68628-W	PROLIFT HR DAMPER MOUNT, WHITE	2	2			
			12	25340-0	HANDLE LATCH-STD	1	1			
			<b>4' RACKS WILL USE;</b>			13	70105-W	PROLIFT,LST,DR ASM,DS,R,W	-	1
						14	60813-W	DROP DOWN FRONT ARM ASSM DS, WHITE	-	1
						15	66563-B	DROP DOWN, SS CENTER DRIVELINE, BLK	-	1

- PART NUMBERS WITH "-W" SUFFIX ARE PAINTED WHITE  
- FOR BLACK MOUNTING KITS, REPLACE "-W" PARTS WITH "-B" PARTS



- TOOLS NEEDED:**
- 1/2" SOCKET
  - 1/2" WRENCH
  - 9/16" SOCKET
  - 3/8" SOCKET
  - DRIVE RATCHET
  - 7/32" ALLEN WRENCH
  - 3/16" ALLEN WRENCH
  - 13mm WRENCH
  - TAPE MEASURE
  - RUBBER Mallet
  - IMPACT DRIVER

**\*\*IF BUILDING A DUAL SIDED RACK BUILD BOTH SIDES IN PARALLEL FOR EACH STEP. IF BUILDING SINGLE SIDED REFERENCE ONLY THAT SIDE WHEN BUILDING.\*\***

**GET TO KNOW THE VEHICLE** - AT THE BEGINNING OF ANY INSTALLATION, CHECK THE LOCATION OF THE FUEL TANK, FUEL LINES, BRAKE LINES, HIGH VOLTAGE BATTERIES AND WIRING HARNESES TO AVOID INJURY OR PROPERTY DAMAGE FROM TOOL CONTACT.

**SEAL ALL EXTERIOR HOLES** - ALL INSTALLATION HOLES SHOULD BE SEALED WITH BUTYL TAPE OR SILICON TO PREVENT WATER AND EXHAUST GASES FROM ENTERING THE VEHICLE.

**CONTROL DRILL DEPTH** - TO AVOID DAMAGE TO THE VEHICLE, USE A DRILL STOP OR CLEARED STEP BIT WHEN DRILLING INSTALLATION HOLES.

**ALWAYS ADD PRIMER** - WHEN ADDING INSTALLATION HOLES BE SURE TO USE A SELF-ETCHING PRIMER TO PREVENT CORROSION, FASTENER FAILURE AND INJURY.

**MOUNTING POINTS MUST HAVE METAL-TO-METAL CONTACT** - USE PROVIDED MOUNTING SPACERS TO ACCOMMODATE FOR VEHICLE FEATURES, CARPET OR SUBFLOORS.

**PROVIDE CLEARANCE FOR SPACERS** - IF THE INSTALLATION VEHICLE CONTAINS A CARPET OR SUBFLOOR, USE A 1-3/16" DIAMETER CARPET CUTTER (P/N: 31183-0) AT ALL MOUNTING LOCATIONS TO OPEN UP ROOM FOR SPACERS.

**CHECK SPACER ORIENTATION** - BE SURE THAT THE INDENT IN THE SPACER COVERS THE PLUSNUT HEAD; THIS ENSURES THE MOST METAL-TO-METAL CONTACT AND REDUCES VIBRATION.

**PLUSNUT INSTALLATION** - A PLUSNUT GUN IS RECOMMENDED FOR PLUSNUT INSTALLATION FOR ITS PRODUCTION SPEED. HOWEVER, A PLUSNUT SETTING TOOL CAN ALSO BE USED (P/N: 22200-0).

**THRU-BOLT CLEARANCE** - WHEN USING A THRU-BOLT AT ANY MOUNTING LOCATION, BE SURE THAT YOUR HOLE HAS 1/16" CLEARANCE.

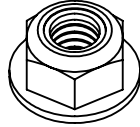
**BEST PRACTICE: ORGANIZE ALL FASTENERS & VERIFY THAT ALL ARE ACCOUNTED FOR**

PAGE:

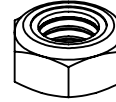
**3**

**FASTENERS AND HARDWARE USED**

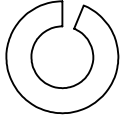
**BAG REFERENCE: BAG68181 & BAG72513**



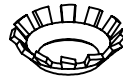
FAS0861  
NUT,HEX NLK FLG 5/16-18  
QTY: 18



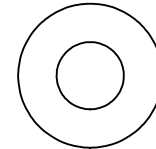
FAS0399  
NUT,HEX NLK LT 3/8-16  
QTY: 02



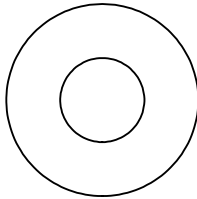
FAS0588  
WASHER,LCK SPLIT 5/16  
QTY: 02



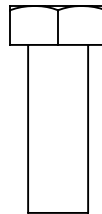
FAS0857  
WASHER,LCK EXT CS 5/16  
QTY: 04



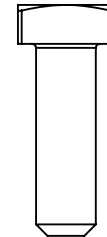
FAS0552  
WASHER,FLAT USS 5/16  
QTY: 06



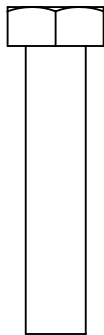
FAS0720  
WASHER,FLAT USS 3/8  
QTY: 01



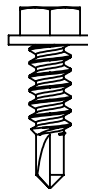
FAS0283  
SCREW,HH 5/16-18X.875  
QTY: 02



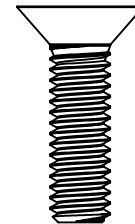
FAS0035  
BOLT,SQ HD 5/16-18X1.0  
QTY: 04



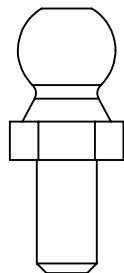
FAS0242  
SCREW,HH 5/16-18X1.5  
QTY: 04



FAS0473  
SCREW,HH TEK #12X.75  
QTY: 04



FAS0856  
SCREW,FHH 5/16-18X1.13  
QTY: 04



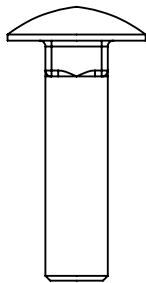
34927-0  
BALL STUD 13MM X 5/16-18  
QTY: 02



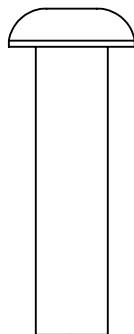
FAS0820  
SCREW,BHCS 3/8-16X1.00  
QTY: 01

**INTENTIONALLY LEFT BLANK**

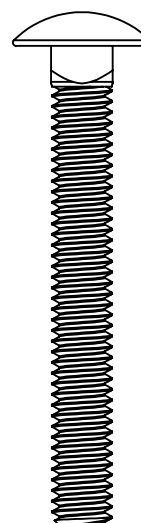
**FASTENERS AND HARDWARE USED**



FAS0812  
BOLT,CRG 5/16-18X1.25  
QTY: 04



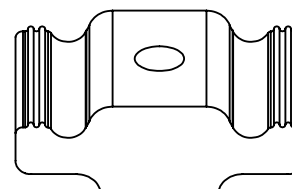
FAS0819  
SCREW,BHCS 3/8-16X1.5  
QTY: 01



FAS0838  
BOLT,CRG 5/16-18X2.5  
QTY: 04



64831  
REAR ROLLER, SPACER  
QTY: 02



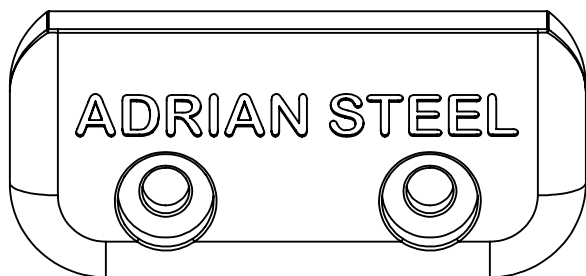
63490  
RAIL SLIDE, 1"  
QTY: 06



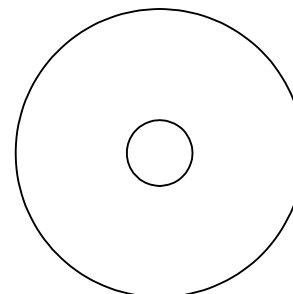
64830  
REAR ROLLER, BOLT PLATE  
QTY: 02



34928-0  
CLIP, SPRING, RETAINER, 13MM  
QTY: 04



65961  
DROP DOWN END CAP  
QTY: 02



**DISCARD** FAS0603  
SCREW,HH 5/16-18X.875  
QTY: 02

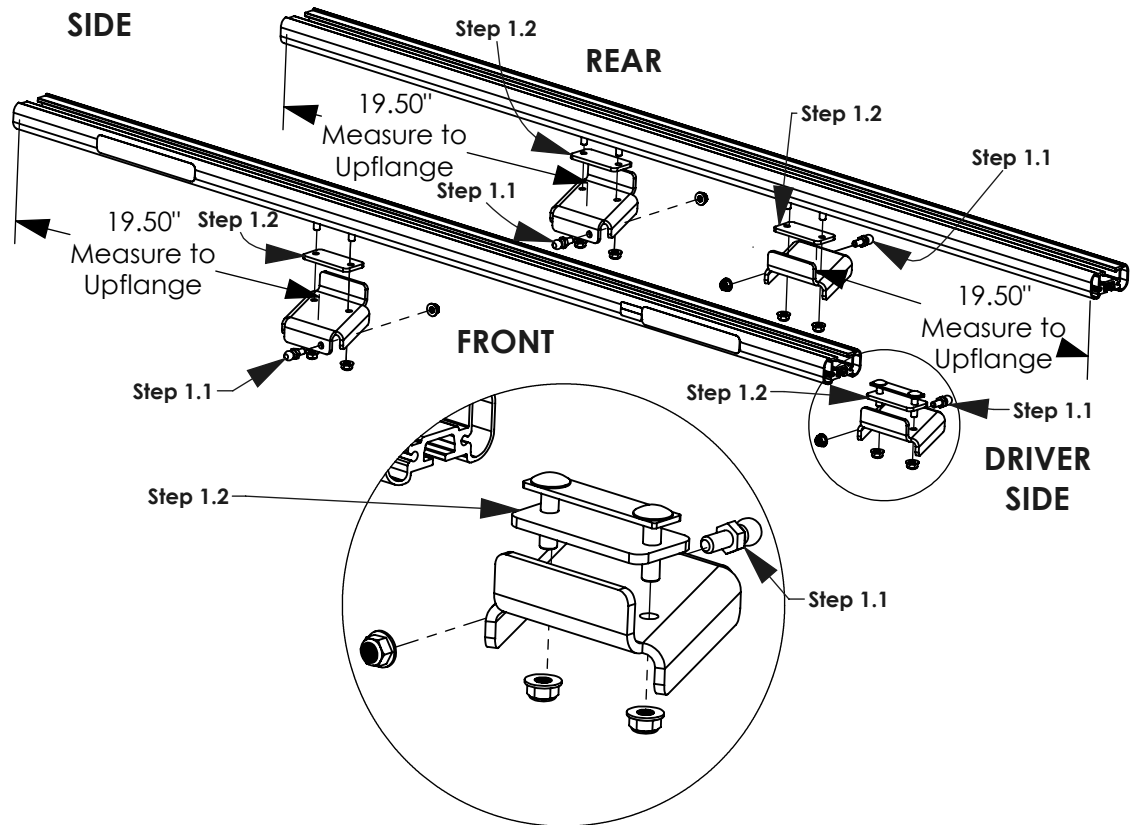
**INTENTIONALLY LEFT BLANK**

# STEP 1 - MOUNT DAMPER BRACKETS

## A.2

Step 1.1  
**FULLY TIGHTEN**  
 34927-0 & FAS0861  
 (02 PLACES PER  
 SIDE)  
 13mm WRENCH  
 1/2" SOCKET

PASSENGER  
 SIDE



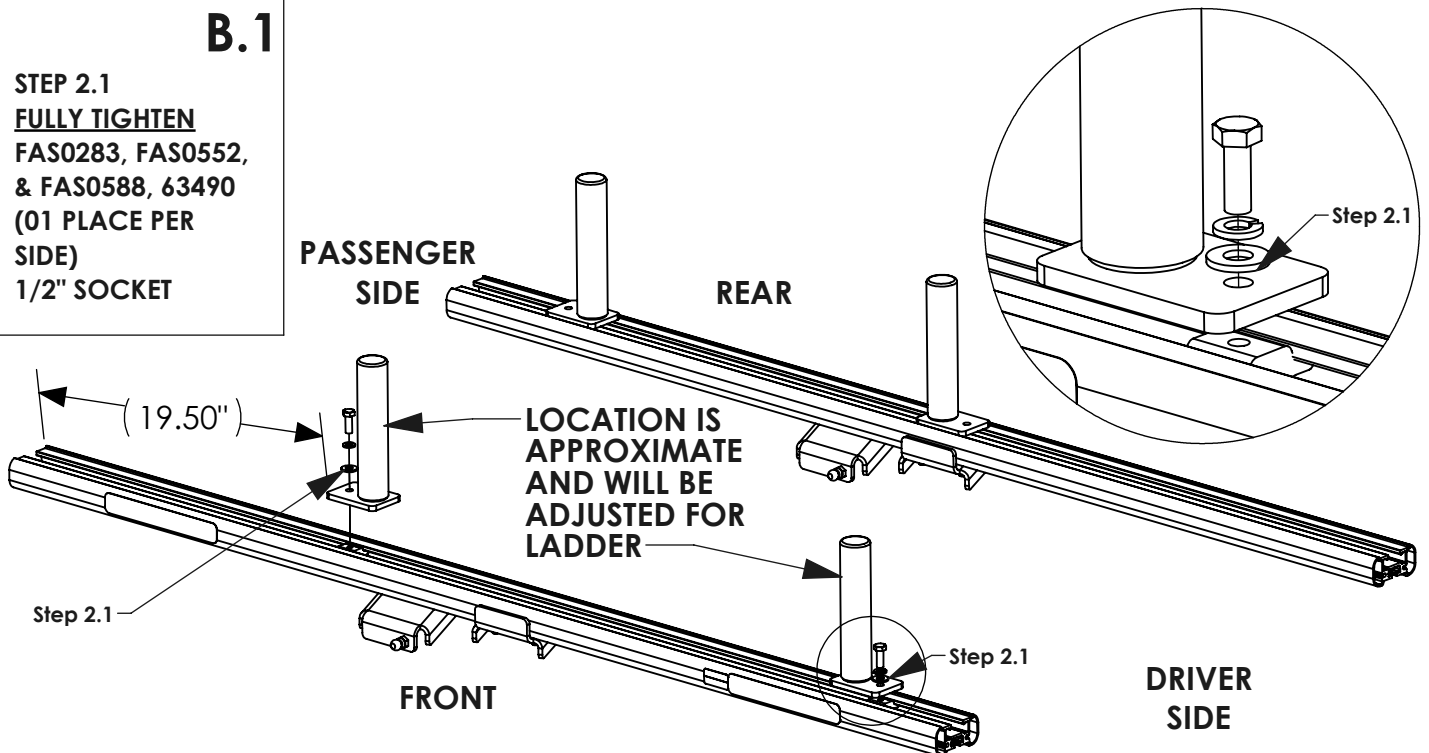
STEP 1.2  
**FULLY TIGHTEN**  
 (02) FAS0812,  
 68628, 64831, &  
 (02) FAS0861  
 (02 PLACES PER  
 SIDE)  
 1/2" SOCKET

# STEP 2 - MOUNT INNER STOPS TO FRONT CROSSBOW

## B.1

STEP 2.1  
**FULLY TIGHTEN**  
 FAS0283, FAS0552,  
 & FAS0588, 63490  
 (01 PLACE PER  
 SIDE)  
 1/2" SOCKET

PASSENGER  
 SIDE



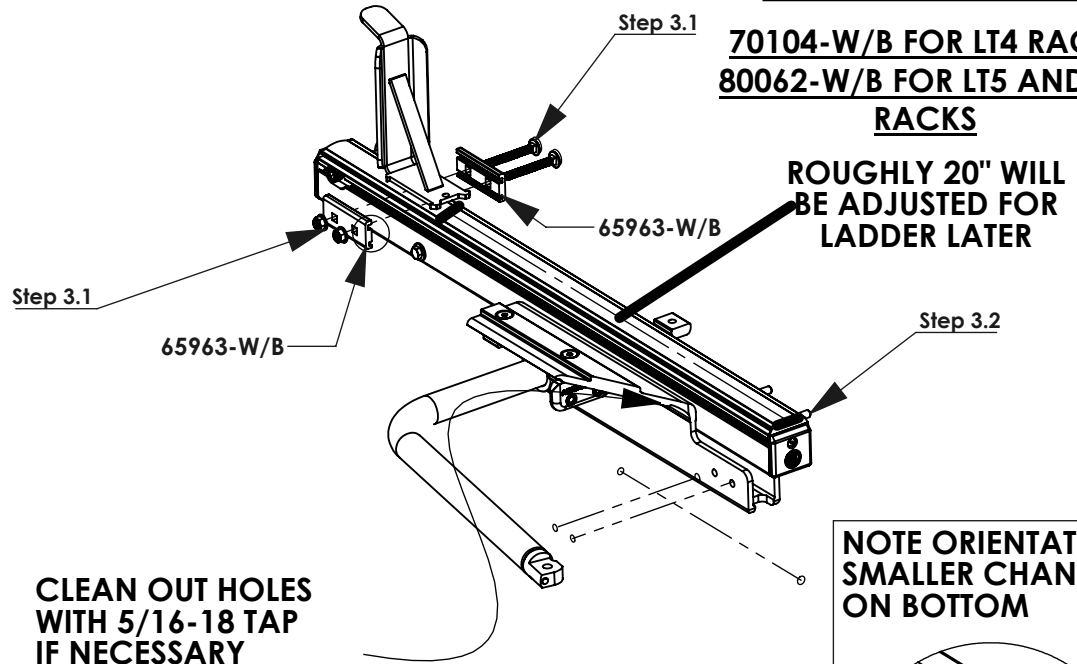
# STEP 3 - INSTALL CLAMPS AND HARDWARE ON DROP DOWN CARTRIDGES

## REAR SUB-ASSEMBLY

### PASSENGER SIDE

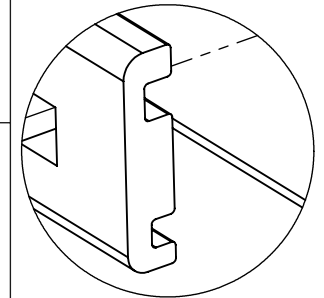
**70104-W/B FOR LT4 RACKS**  
**80062-W/B FOR LT5 AND LT6 RACKS**

**STEP 3.1**  
**FULLY TIGHTEN**  
**FAS0838 &**  
**FAS0861**  
**(02 PLACES)**  
**1/2" SOCKET**



**CLEAN OUT HOLES**  
**WITH 5/16-18 TAP**  
**IF NECESSARY**

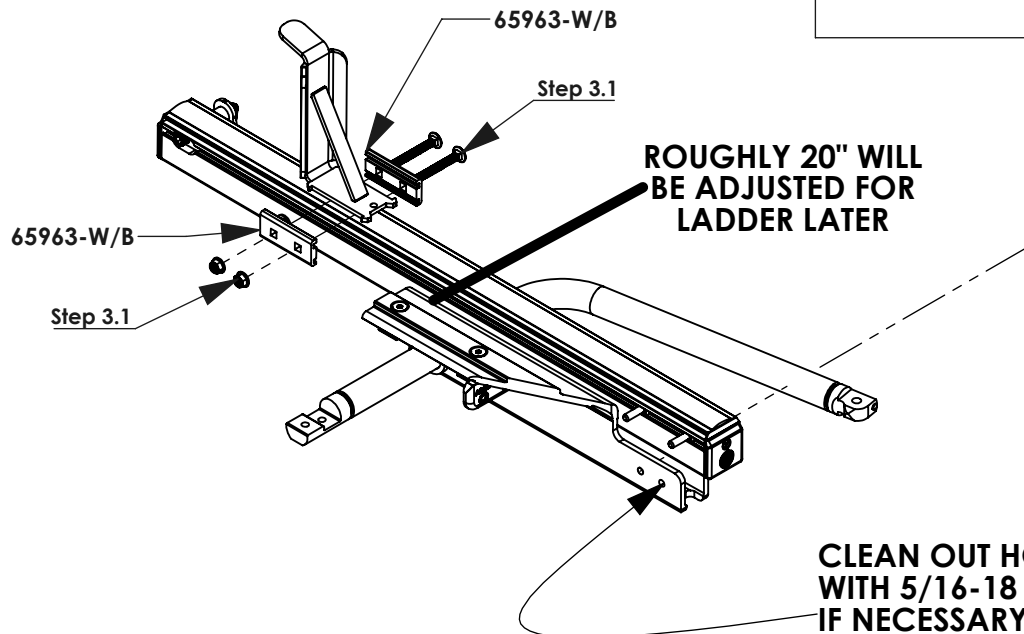
**NOTE ORIENTATION:**  
**SMALLER CHANNEL**  
**ON BOTTOM**



### DRIVER SIDE

**70105-W/B FOR LT4 RACKS**  
**80063-W/B FOR LT5 AND LT6 RACKS**

**STEP 3.2**  
**FAS0035**  
**SLIDE INTO SLOT**  
**(02 PLACES)**



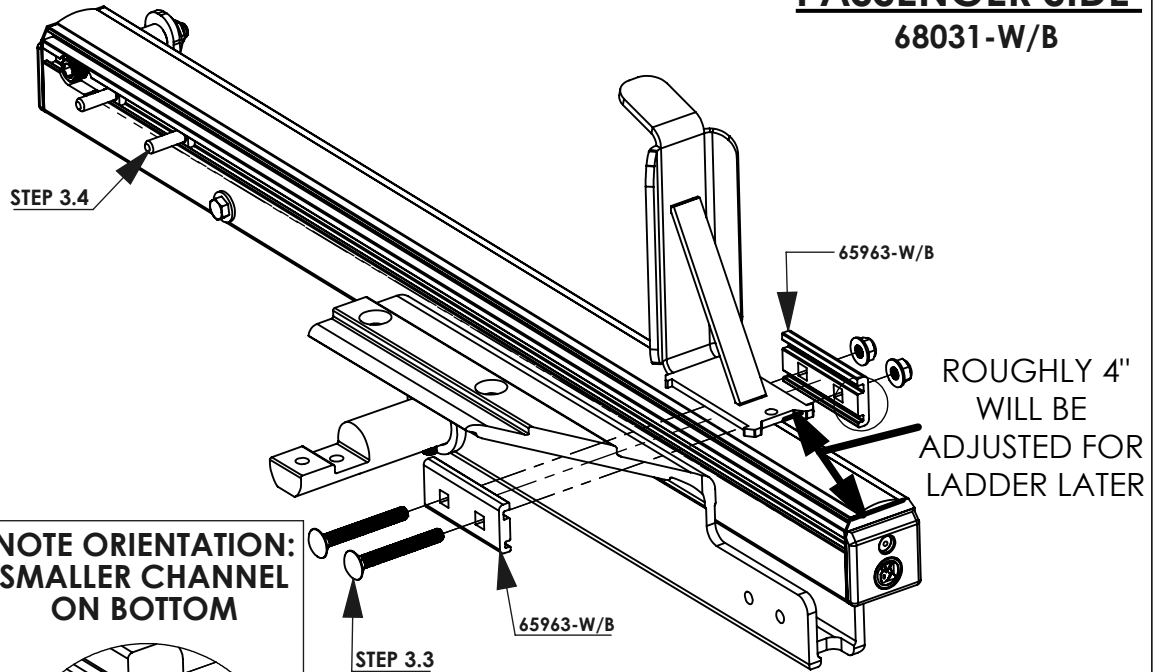
**CLEAN OUT HOLES**  
**WITH 5/16-18 TAP**  
**IF NECESSARY**

# FRONT SUB-ASSEMBLY

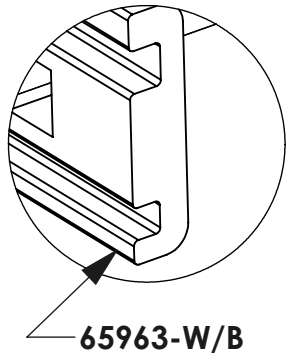
## PASSENGER SIDE

68031-W/B

**STEP 3.3**  
**FULLY TIGHTEN**  
**FAS0838 &**  
**FAS0861**  
**(02 PLACES)**  
**1/2" SOCKET**



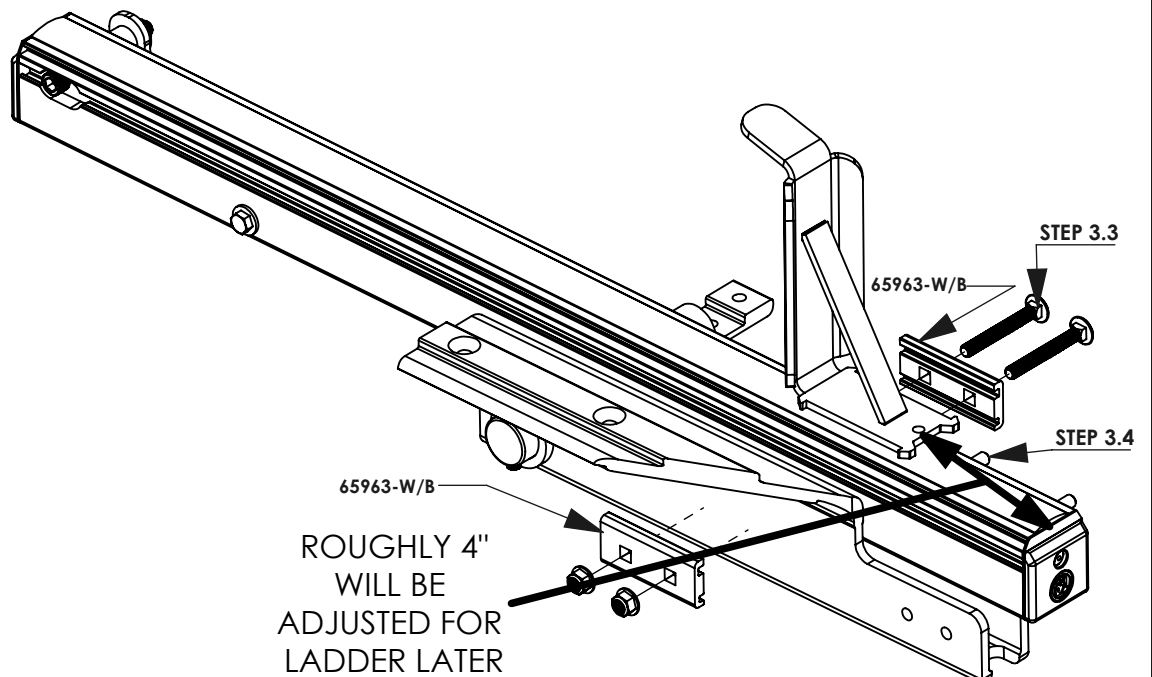
**NOTE ORIENTATION:**  
**SMALLER CHANNEL**  
**ON BOTTOM**



## DRIVER SIDE

68013-W/B

**STEP 3.4**  
**FAS0035**  
**SLIDE INTO SLOT**  
**(02 PLACES)**



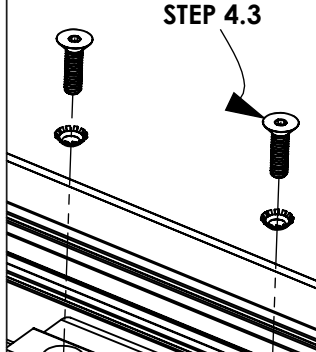
ROUGHLY 4"  
WILL BE  
ADJUSTED FOR  
LADDER LATER



# REFERENCE INSTALLATION GUIDE 68895 TABLES 1-3 INSTALLATION OF A.1, A.2, B.1, & B.2 SHOULD BE COMPLETE BEFORE PROCEEDING TO STEP 4

## STEP 4 - INSTALL CARTRIDGES ON CROSSBOWS

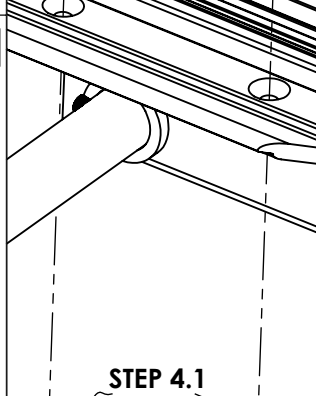
**STEP 4.1**  
SLIDE 63490 INTO  
END OF  
CROSSBOWS



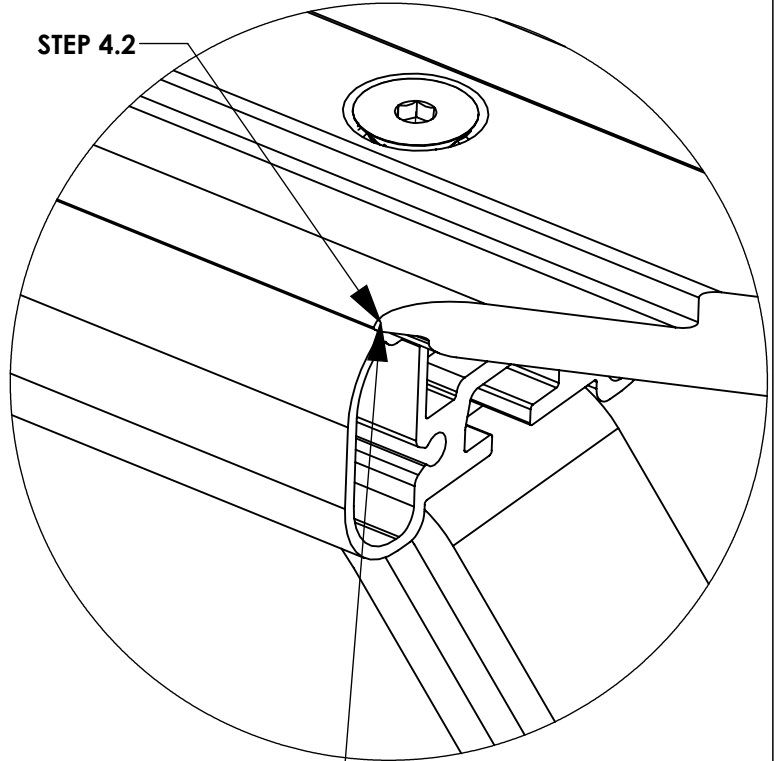
STEP 4.3

**STEP 4.2**  
LINE UP CORNERS  
WITH END OF  
CROSSBOW

C.1

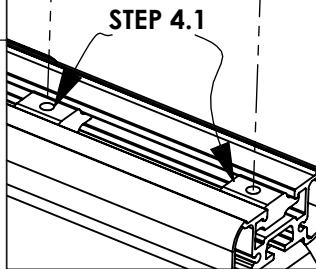


STEP 4.2

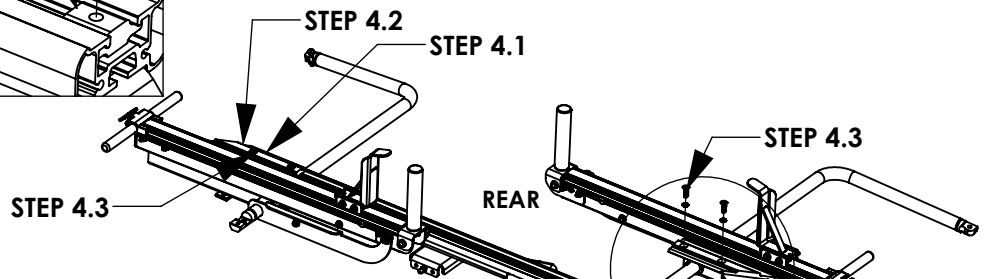


**LINE UP CORNERS!!**

**STEP 4.3**  
FULLY TIGHTEN  
(02) FAS0856,  
(02) FAS0857, &  
(02) 63490  
(02 PLACES PER  
SIDE)  
3/16" ALLEN

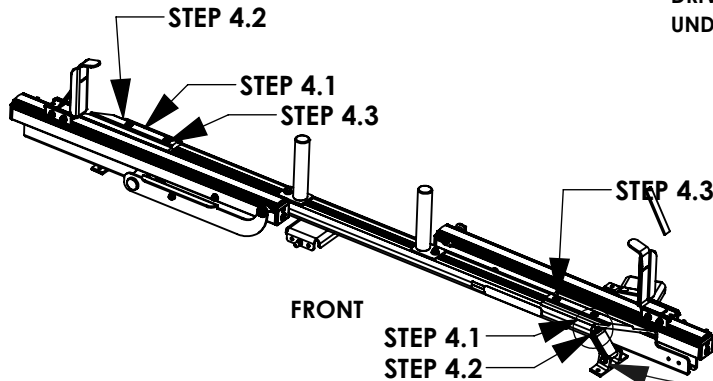


STEP 4.1



PASSENGER  
SIDE

DRIVELINE WILL BE  
UNDER CROSSBOW



FRONT

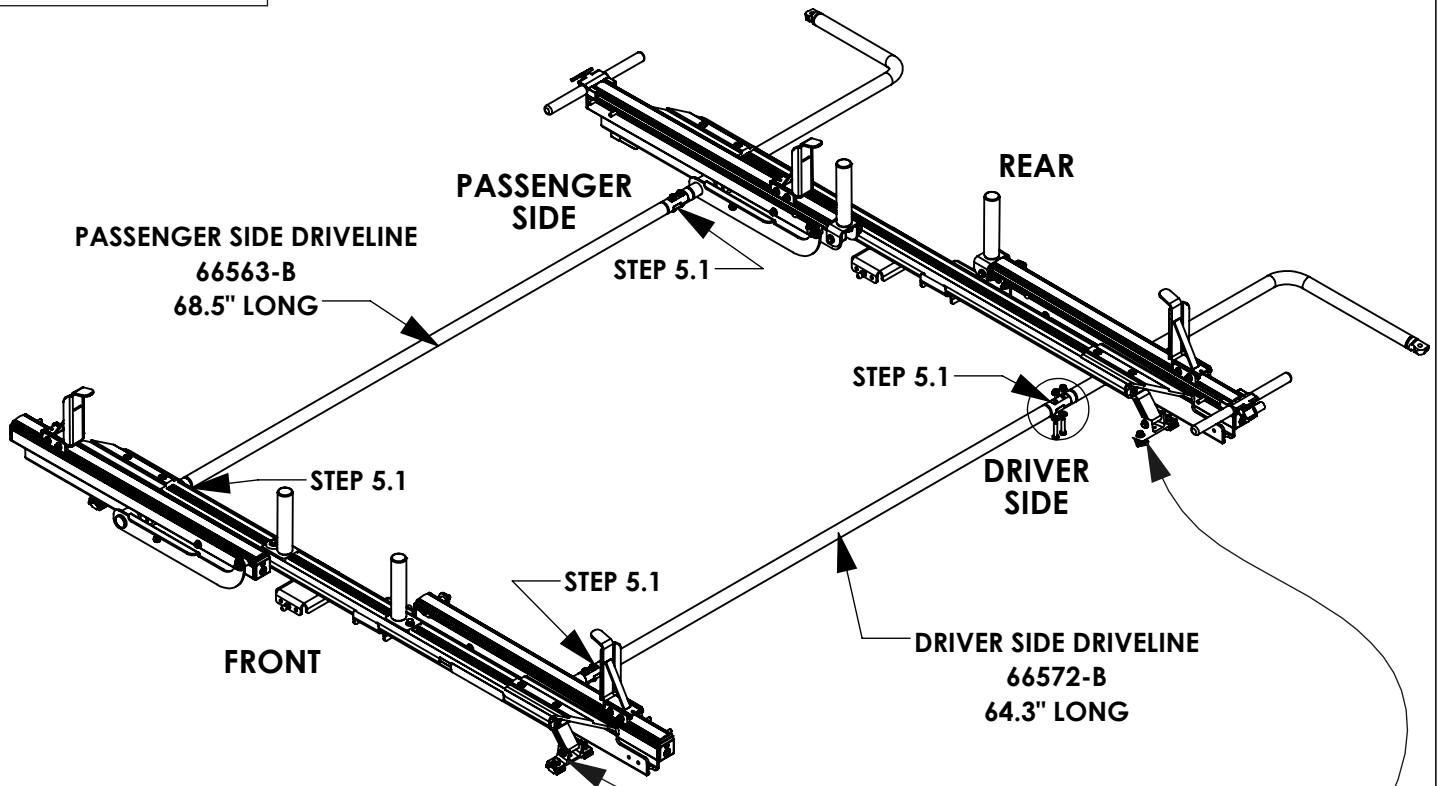
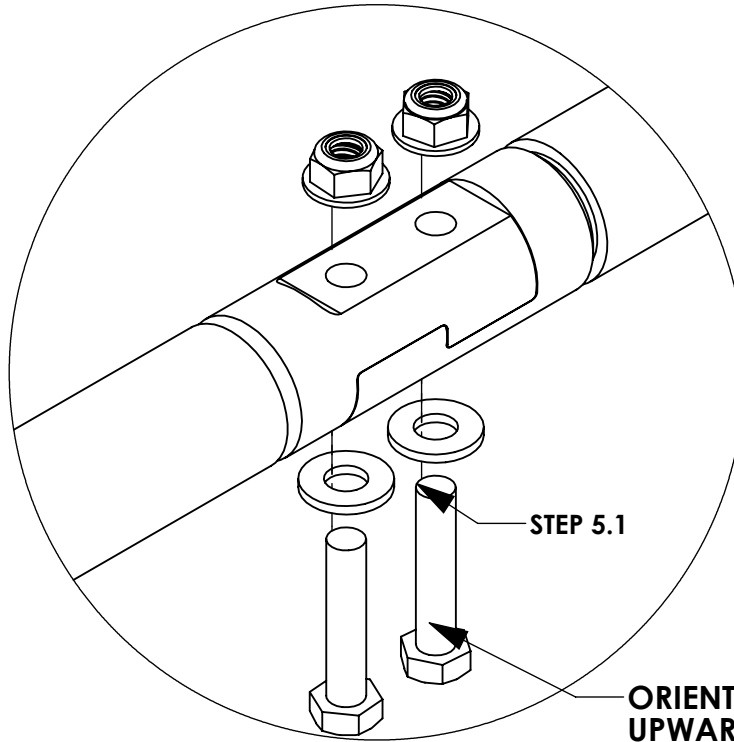
DRIVER  
SIDE

UNIVERSAL MOUNTING  
KIT SHOWN  
FOR REFERENCE

# STEP 5 - INSTALL DRIVELINE

**STEP 5.1**  
**FULLY TIGHTEN**  
**FAS0242, FAS0552**  
**& FAS0861**  
**(04 PLACES PER**  
**SIDE)**  
**1/2" WRENCH**  
**1/2" SOCKET**

**BEST PRACTICE:**  
**WHEN INSTALLING**  
**BOLTS OPEN RACK**  
**ROUGHLY 45**  
**DEGREES FOR**  
**EASIER ACCESS &**  
**INSTALLATION**



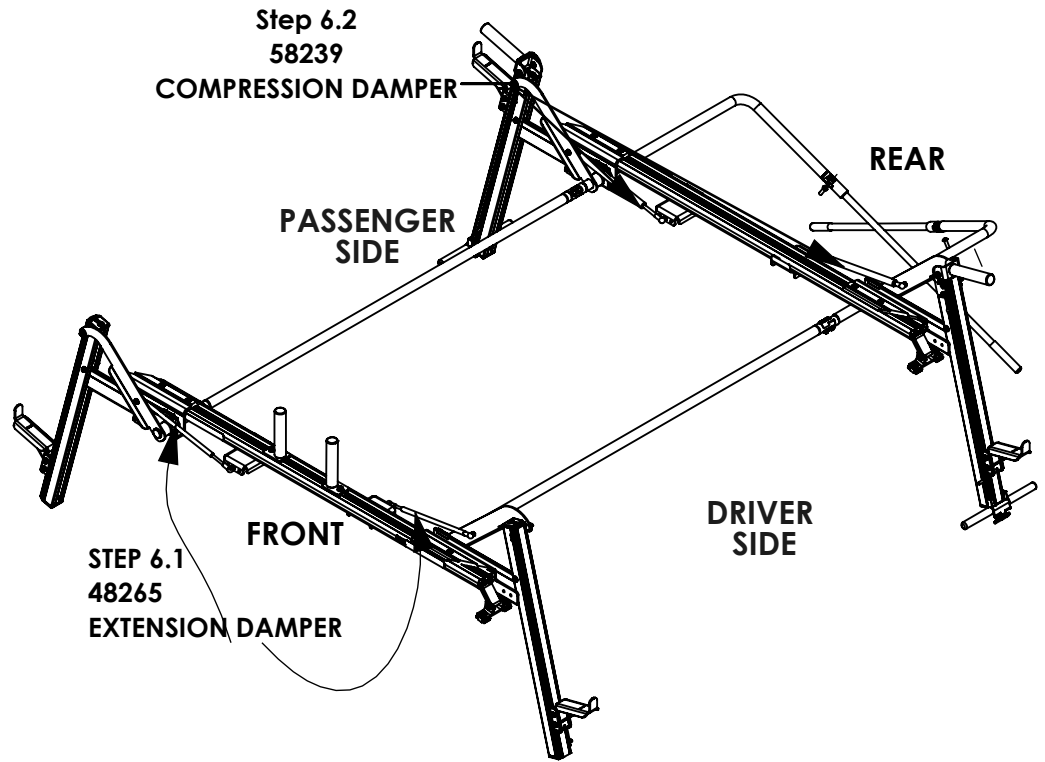
UNIVERSAL MOUNTING  
KIT SHOWN  
FOR REFERENCE

# STEP 6 - DEPLOY RACK & INSTALL DAMPERS AND DROP DOWN HANDLE

Step 6.1  
 ATTACH EXTENSION DAMPERS (48625) TO BALL STUDS.  
ORIENTATION OF DAMPER MATTERS!!!  
 (01 PLACE PER SIDE)

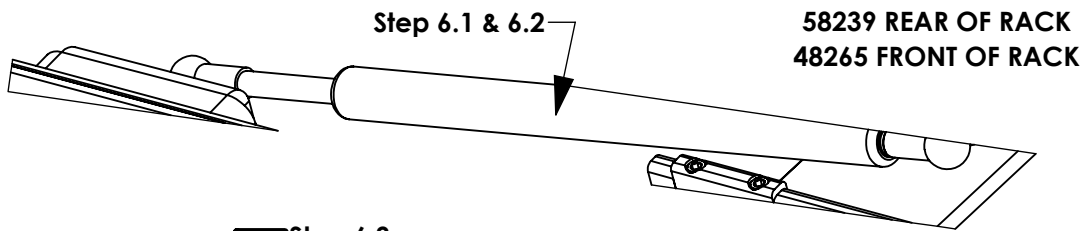
Step 6.2  
 ATTACH COMPRESSION DAMPERS (58239) TO BALL STUDS.  
ORIENTATION OF DAMPER MATTERS!!!  
 (01 PLACE PER SIDE)

Step 6.3  
 INSERT LOCKING PINS (34928-0) AFTER MOUNTING DAMPERS TO BALL STUDS  
 (04 PLACES PER SIDE)

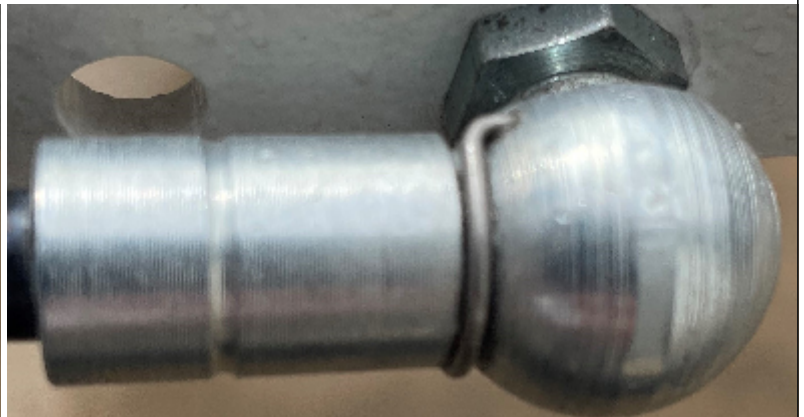
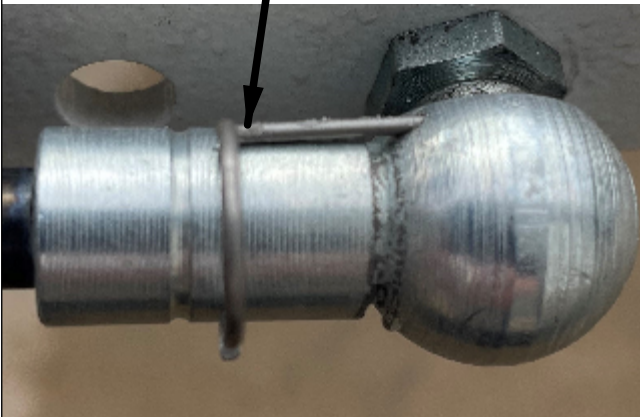


## ORIENTATION OF DAMPER MATTERS!!!!

LARGE CYLINDER OF DAMPER ATTACHES TO ARM  
 SMALL ROD END ATTACHES TO DAMPER BRACKET

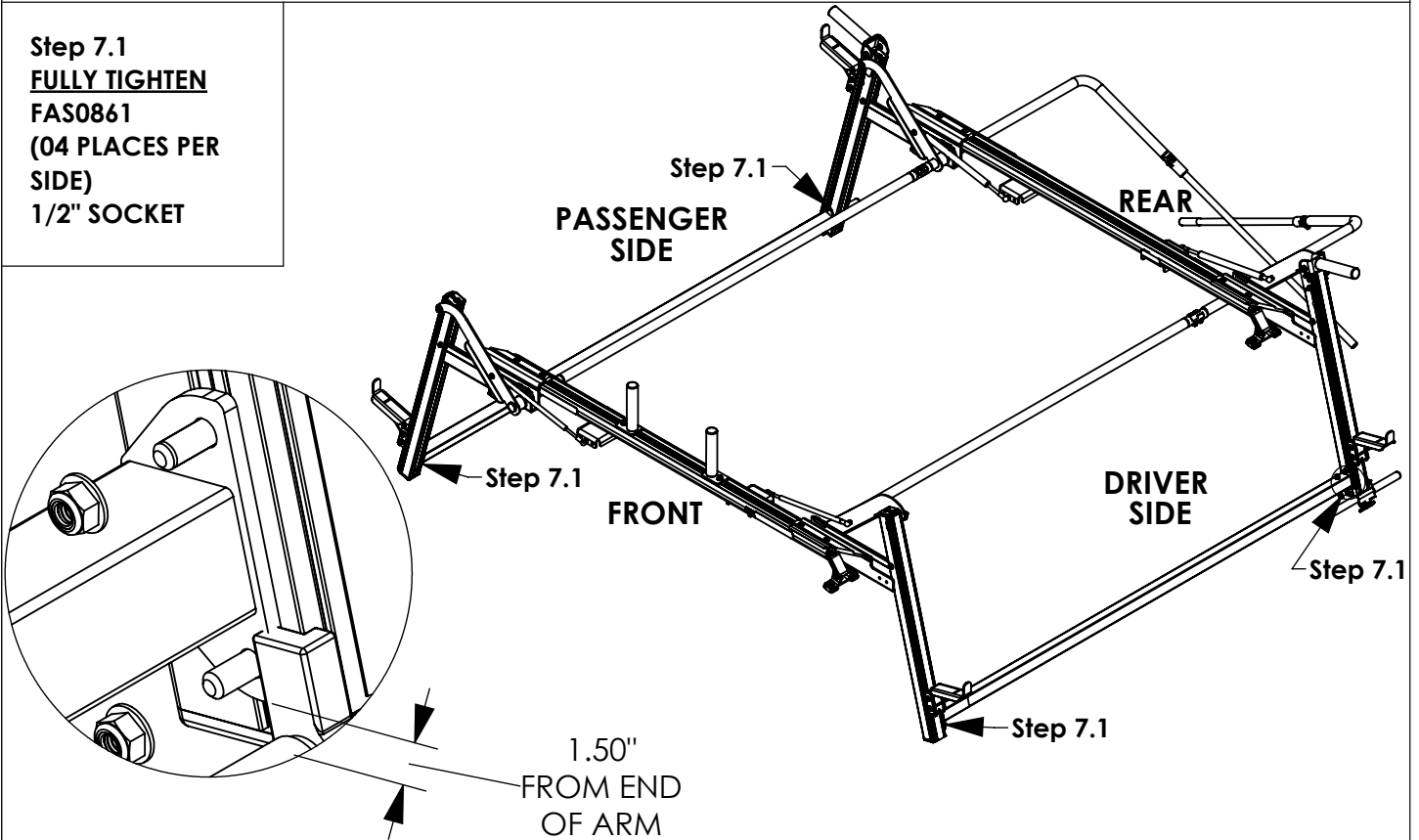


Step 6.3  
 34928-0



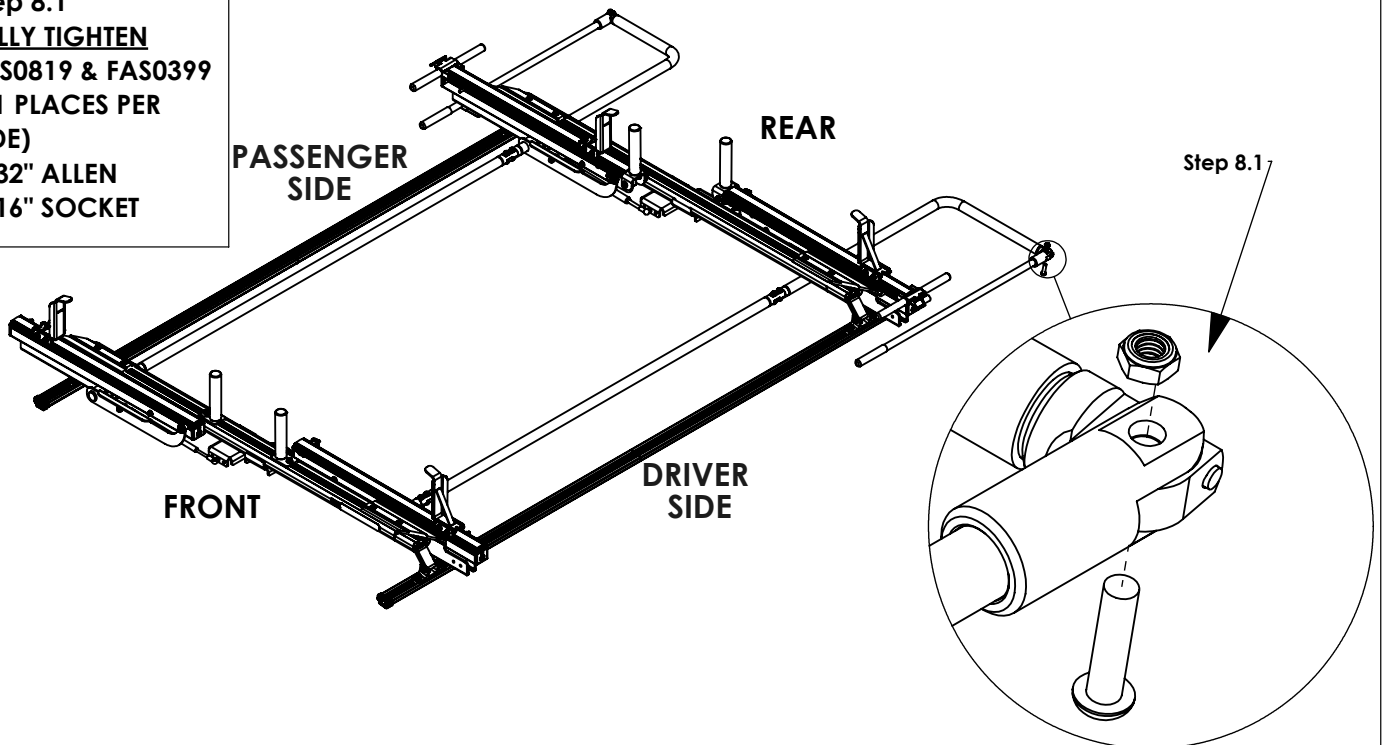
# STEP 7 - WHILE RACK DEPLOYED INSTALL O.S. BAR

Step 7.1  
**FULLY TIGHTEN**  
FAS0861  
(04 PLACES PER  
SIDE)  
1/2" SOCKET



# STEP 8 - INSTALL DROP DOWN HANDLE

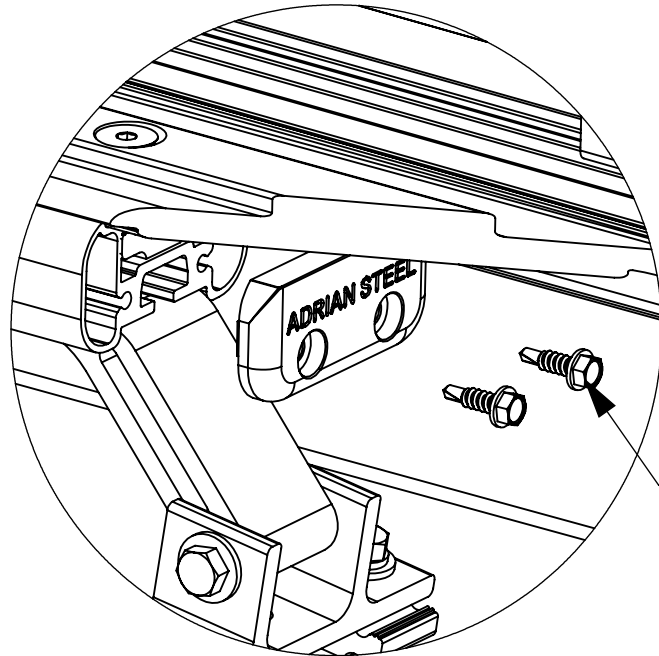
Step 8.1  
**FULLY TIGHTEN**  
FAS0819 & FAS0399  
(01 PLACES PER  
SIDE)  
7/32" ALLEN  
9/16" SOCKET



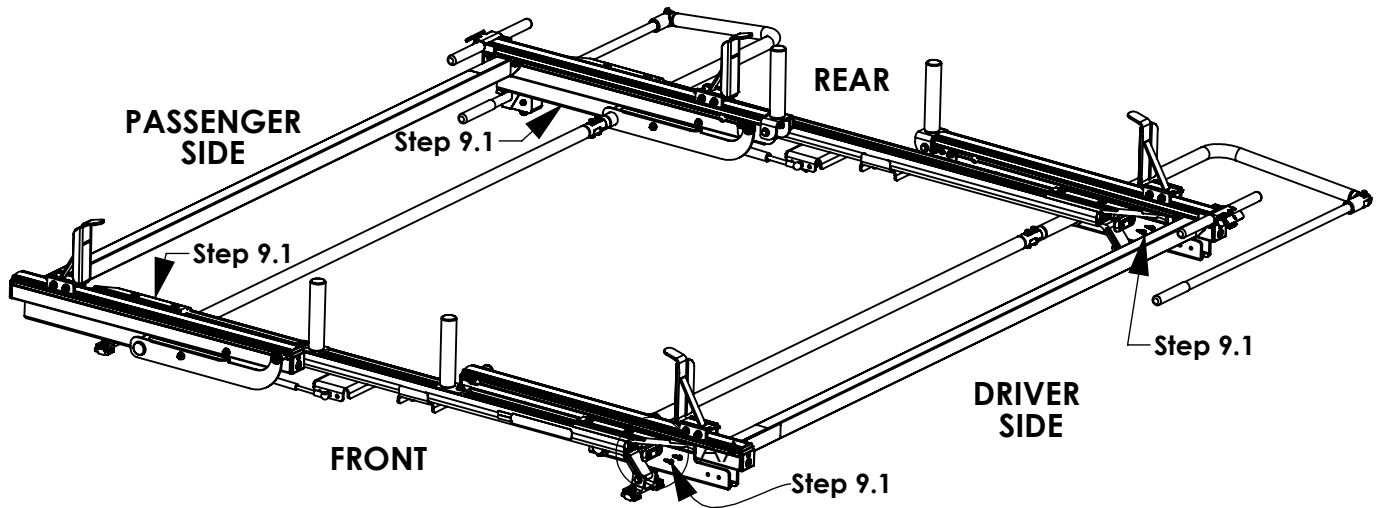
**MAKE SURE ALL FASTENERS ARE TIGHTENED!!! INSTALLATION IS COMPLETE**

# STEP 9 - INSTALL CROSSBOW END CAPS

Step 9.1  
**FULLY TIGHTEN**  
(02) FAS0473, 65961  
(02 PLACES PER SIDE)  
3/8" SOCKET



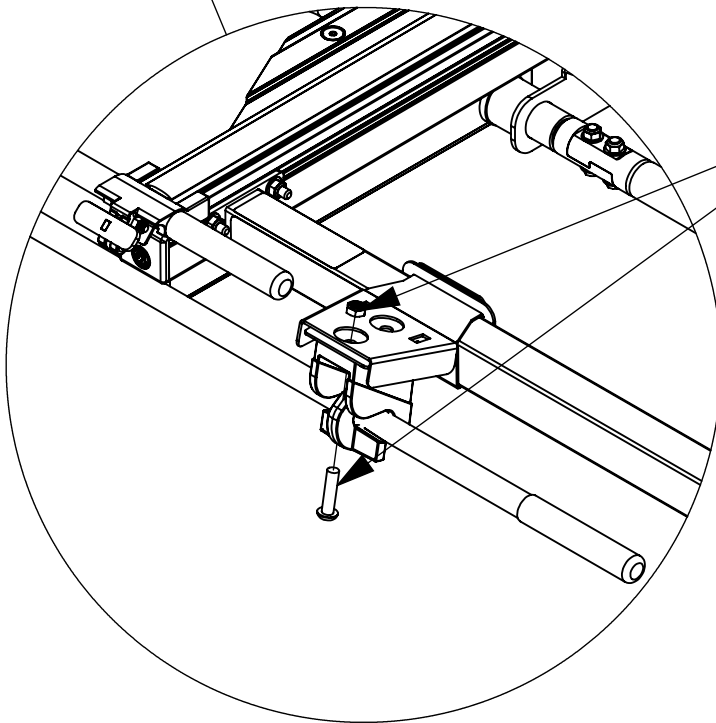
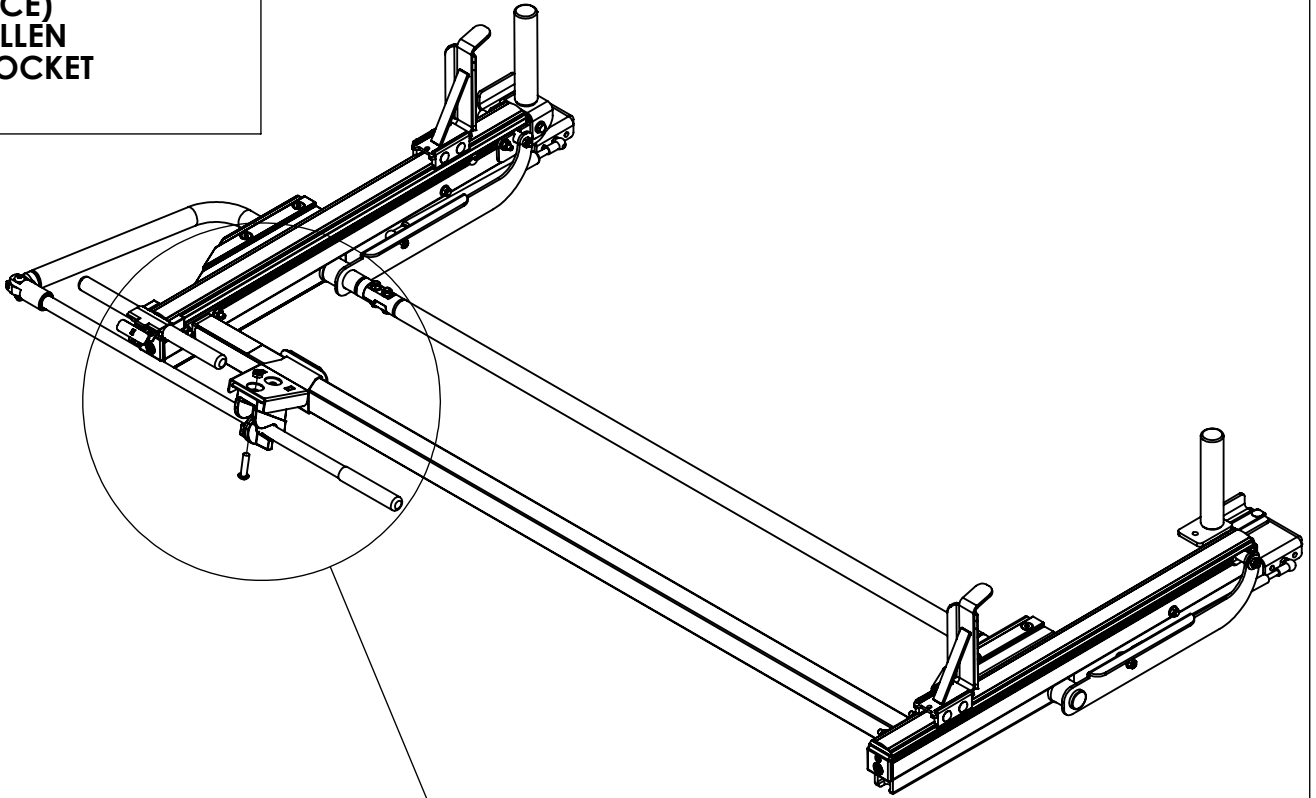
Step 9.1



**MAKE SURE ALL FASTENERS ARE TIGHTENED!!! INSTALLATION IS COMPLETE**

**STEP 10 - INSTALL HANDLE LATCH**

**STEP 10.1  
FULLY TIGHTEN  
FAS0819, FAS0399,  
(01 PLACE)  
7/32" ALLEN  
9/16" SOCKET**



**Step 10.1**