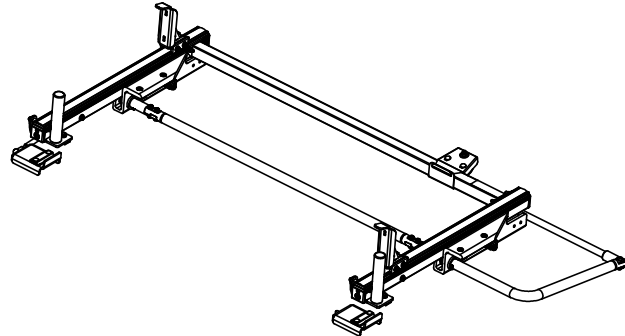


**ADRIAN STEEL®**

Cargo Management Solutions for Commercial Vehicles

PROLIFT STANDARD DROP PASSENGER SIDE 4' LOW TOPPER LADDER RACKS

PRODUCT WEIGHT**58.5 LBS****WIDTH X DEPTH X HEIGHT****82.00" X 32.00" X4.00"****CAPACITY****SINGLE LADDER****COLOR****WHITE/BLACK****CATALOG NUMBER****PLSDPSLT4W, PLSDPSLT4B**

PRODUCT FEATURES

These ProLift Std Drop, low topper racks can be used on ADRIAN STEEL BIFF, LEER, UNICOVER and ARE truck toppers with bed lengths from 4'6" - 6'1" with appropriate rail kit, crossbow kit and mounting bracket kit. Use rail kits, crossbow kits, and mounting bracket kits listed in the table below to create new rack combinations. This rack features an attached handle.

Unicover Toppers will use roof rail kits ending in UC (Ex. 4'6" Unicvoer topper would use RRKTOP55UC)

Ignore the roof rail kit when ordering racks for ASC BIFF toppers as they ship with pre-installed rails.

The Standard-Drop ProLift™ has a single function that lowers the ladder to a single set height. Uses hook brackets to hold and secure ladders.

Commercial Part Numbers

| Vehicle Platform | Bed Length | Bed Length (in) | Roof Rail Kit | Crossbow kit | Mounting Bracket Kit | Pro-Lift (Passenger Side) | Pro-Lift (Drivers Side) |
|------------------|--------------|-----------------|---------------|--------------|----------------------|---------------------------|-------------------------|
| Maverick | 4'6" | 54" | RRKTOP55/UC | 2BARTOPW | MAVRMBK4W | PLSDPSLT4 | PLSDDSLT4 |
| All | 4'10" - 5'6" | 58" - 66" | RRKTOP58/UC | 2BARTOPW | URMBK4W | PLSDPSLT4 | PLSDDSLT4 |
| All | 5'7" - 6'1" | 67"-73" | RRKTOP67/UC | 2BARTOPW | URMBK4W | PLSDPSLT4 | PLSDDSLT4 |

NOTE:CROSSBAR KIT IS DIFFERENT FOR COMBO WITH GRIPLOCK. IN THIS CASE,USE 2BAR53W/B

SEE PAGE 2 FOR APPLICATION NOTES, ACCESSORIES AND OTHER PRODUCTS THAT WORK WITH THIS UNIT.

**PROLIFT STANDARD DROP PASSENGER
SIDE 4' LOW TOPPER LADDER RACKS****CATALOG NUMBER****PLSDPSLT4W, PLSDPSLT4B****PRODUCT APPLICATION**

TOPPER PROLIFT LADDER RACKS ARE FOR USE ON PICKUP TRUCK BED TOPPERS, AVAILABLE IN 4 FT, 5 FT, AND 6 FT LENGTHS FOR ALL DIFFERENT SIZE TRUCK BEDS.

Reduce back and shoulder injuries while loading/unloading ladders by eliminating the need to climb on bumpers and tires to reach the cargo on the roof of your vehicle.

The ProLift™ uses unique, patent-pending, mechanical advantages, and high-performing spring assist struts to raise and lower ladders with an almost effortless pull.

ACCESSORIES THAT WILL WORK WITH THIS PRODUCT

| CATALOG NUMBER | DESCRIPTION (smart) |
|----------------|-----------------------------------|
| RRKTOP55 | ROOF RAIL KIT,TOPPER,55" |
| RRKTOP58 | ROOF RAIL KIT,TOPPER,58" |
| RRKTOP67 | ROOF RAIL KIT,TOPPER,67" |
| RRKTOP55UC | ROOF RAIL KIT,TOPPER,55" UNICOVER |
| RRKTOP58UC | ROOF RAIL KIT,TOPPER,58" UNICOVER |
| RRKTOP67UC | ROOF RAIL KIT,TOPPER,67" UNICOVER |
| 2BARTOPW / B | 2BAR UTILITY RACK, TOP |
| 2BAR53W / B | 2BAR, CROSSBOW,53" |
| MAVRMBK4W / B | MAV RAIL MNT BKT KT,4 |
| URMBK4W / B | UTILTY,MNT BKT KT,RAIL |
| GL-TOPDSW / B | GRIP-LOCK,TOPPER DS |
| PLSDDSLT4W/B | PROLIFT,STD,DS,LOW T,4 |
| | |
| | |
| | |

The information contained in this document is the sole property of ADRIAN STEEL COMPANY. ADRIAN STEEL COMPANY retains the right to modify and/or change the product of its design at any time with prior notification.

INSTR. NUMBER : **69484**

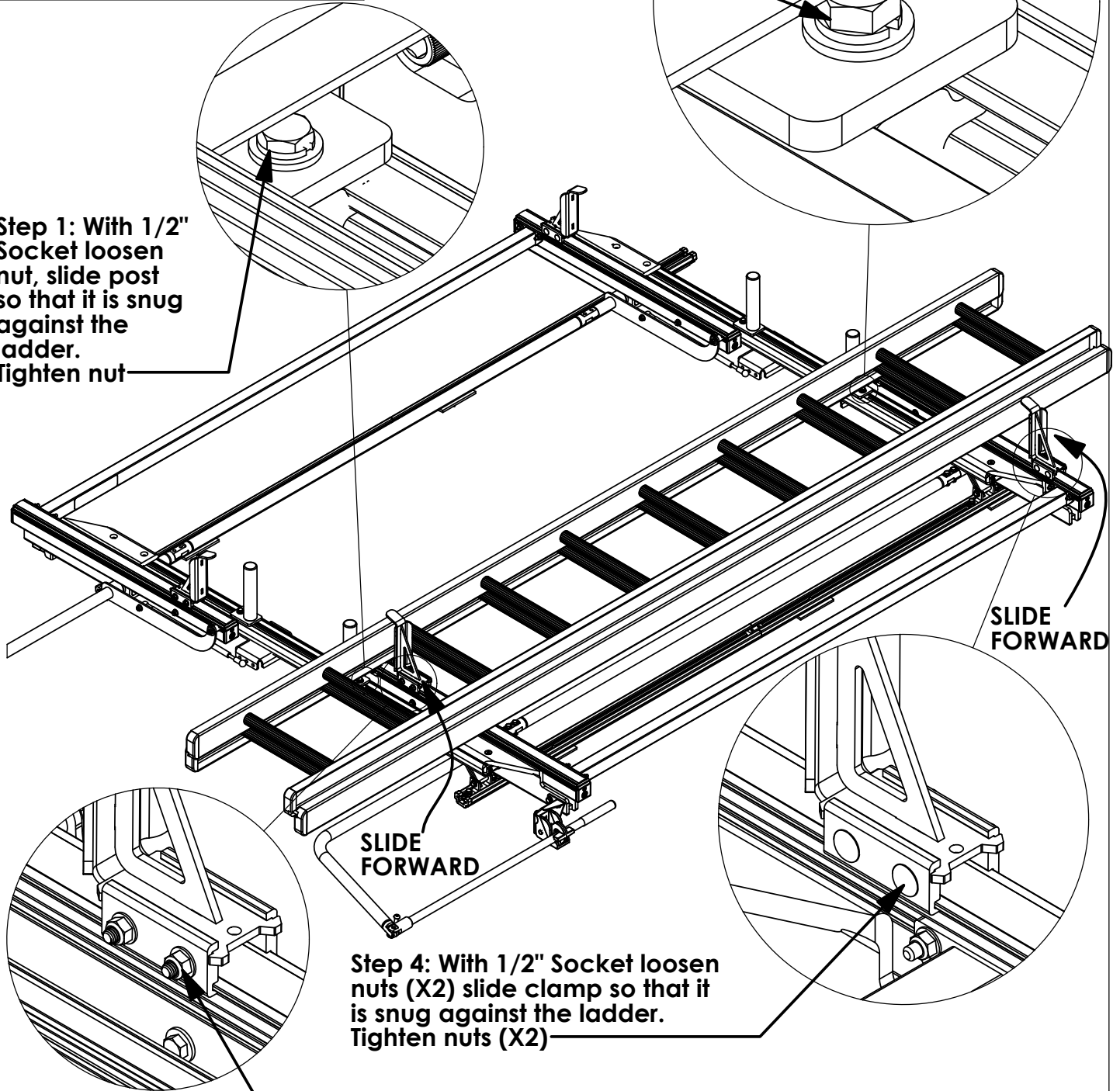
PG: **1** REV: **A**

PART NUMBER • **Standard Drop ProLift**
• **Low & Compact Vans**

PART DESC. • ProLift Adjustment Instructions -
• **Standard Drop**
• **Low Roof & Compact Vans**

Step 3: With 1/2" Socket loosen nut, slide post so that it is snug against the ladder. Tighten nut

Step 1: With 1/2" Socket loosen nut, slide post so that it is snug against the ladder. Tighten nut



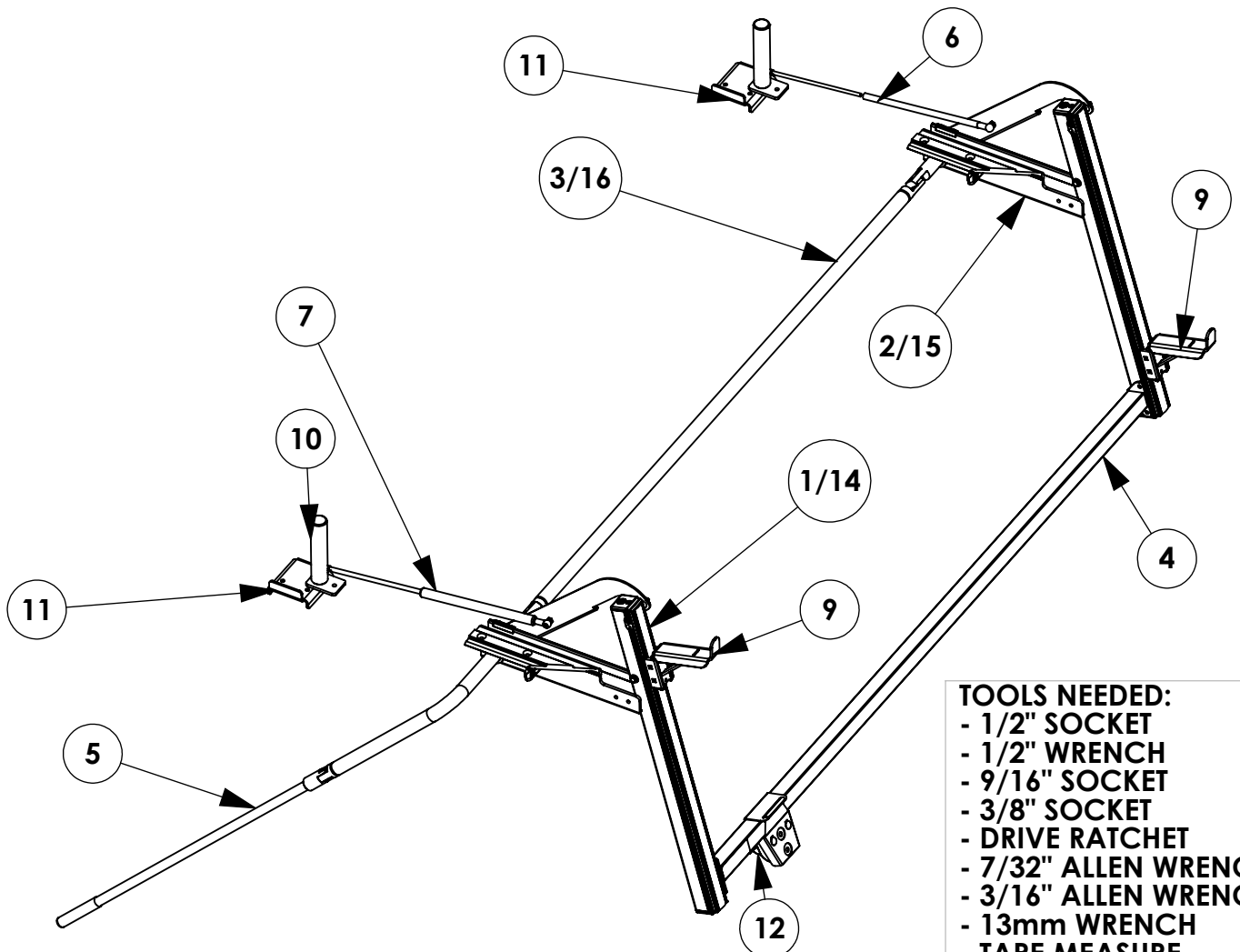
Step 4: With 1/2" Socket loosen nuts (X2) slide clamp so that it is snug against the ladder. Tighten nuts (X2)

Step 2: With 1/2" Socket loosen nuts (X2) slide clamp so that it is snug against the ladder. Tighten nuts (X2)

Once all brackets are adjusted operate rack to make sure clamps are not too tight

| INSTR. NUMBER | PG. | REV. | ITEM NO. | PART NUMBER | DESCRIPTION | PLSDPSLT | PLSDDSLT | | | |
|----------------------------------|---------------------------------------|----------|---------------------------|-------------|---|----------|----------|-------------------------------------|---|---|
| : 70118 | 1 | D | 1/14 | 70104-W | PROLIFT,LST,DR ASM,PS,R,W | 1 | - | | | |
| | | | 2/15 | 68031-W | DROP DOWN FRONT ARM ASSM PS, WHITE | 1 | - | | | |
| PART NUMBER | : PLSDPSLT & PLSDDSLT | | 3/16 | 66572-B | DROP DOWN, CS CENTER DRIVELINE, BLK | 1 | - | | | |
| | | | 4 | 72698-W | PL, 6' PS, OS BAR W/ LATCH CLAMP, WHITE | 1 | 1 | | | |
| PART DESC. | PROLIFT,STD,PS,LT & PROLIFT,STD,DS,LT | | 5 | 66611-B | DROP DOWN, PIVOT HANDLE, BLK | 1 | 1 | | | |
| | | | 6 | 48265 | DAMPER ASSEMBLY | 1 | 1 | | | |
| 5' AND 6' RACKS WILL USE; | | | 7 | 58239 | COMPRESSION DAMPER | 1 | 1 | | | |
| | | | 8 | 65963-W | STOP CLAMP, WHITE | 4 | 4 | | | |
| | | | 9 | 68037-B | CLAMP PAD, 6.5", BLACK | 2 | 2 | | | |
| | | | 10 | 68186-W | PROLIFT INNER POST, WHITE | 2 | 2 | | | |
| | | | 11 | 68628-W | PROLIFT HR DAMPER MOUNT, WHITE | 2 | 2 | | | |
| | | | 12 | 25340-0 | HANDLE LATCH-STD | 1 | 1 | | | |
| | | | 4' RACKS WILL USE; | | | 13 | 70105-W | PROLIFT,LST,DR ASM,DS,R,W | - | 1 |
| | | | | | | 14 | 60813-W | DROP DOWN FRONT ARM ASSM DS, WHITE | - | 1 |
| | | | | | | 15 | 66563-B | DROP DOWN, SS CENTER DRIVELINE, BLK | - | 1 |

- PART NUMBERS WITH "-W" SUFFIX ARE PAINTED WHITE
- FOR BLACK MOUNTING KITS, REPLACE "-W" PARTS WITH "-B" PARTS



- TOOLS NEEDED:**
- 1/2" SOCKET
 - 1/2" WRENCH
 - 9/16" SOCKET
 - 3/8" SOCKET
 - DRIVE RATCHET
 - 7/32" ALLEN WRENCH
 - 3/16" ALLEN WRENCH
 - 13mm WRENCH
 - TAPE MEASURE
 - RUBBER Mallet
 - IMPACT DRIVER

****IF BUILDING A DUAL SIDED RACK BUILD BOTH SIDES IN PARALLEL FOR EACH STEP. IF BUILDING SINGLE SIDED REFERENCE ONLY THAT SIDE WHEN BUILDING.****

GET TO KNOW THE VEHICLE - AT THE BEGINNING OF ANY INSTALLATION, CHECK THE LOCATION OF THE FUEL TANK, FUEL LINES, BRAKE LINES, HIGH VOLTAGE BATTERIES AND WIRING HARNESSSES TO AVOID INJURY OR PROPERTY DAMAGE FROM TOOL CONTACT.

SEAL ALL EXTERIOR HOLES - ALL INSTALLATION HOLES SHOULD BE SEALED WITH BUTYL TAPE OR SILICON TO PREVENT WATER AND EXHAUST GASES FROM ENTERING THE VEHICLE.

CONTROL DRILL DEPTH - TO AVOID DAMAGE TO THE VEHICLE, USE A DRILL STOP OR CLEARED STEP BIT WHEN DRILLING INSTALLATION HOLES.

ALWAYS ADD PRIMER - WHEN ADDING INSTALLATION HOLES BE SURE TO USE A SELF-ETCHING PRIMER TO PREVENT CORROSION, FASTENER FAILURE AND INJURY.

MOUNTING POINTS MUST HAVE METAL-TO-METAL CONTACT - USE PROVIDED MOUNTING SPACERS TO ACCOMMODATE FOR VEHICLE FEATURES, CARPET OR SUBFLOORS.

PROVIDE CLEARANCE FOR SPACERS - IF THE INSTALLATION VEHICLE CONTAINS A CARPET OR SUBFLOOR, USE A 1-3/16" DIAMETER CARPET CUTTER (P/N: 31183-0) AT ALL MOUNTING LOCATIONS TO OPEN UP ROOM FOR SPACERS.

CHECK SPACER ORIENTATION - BE SURE THAT THE INDENT IN THE SPACER COVERS THE PLUSNUT HEAD; THIS ENSURES THE MOST METAL-TO-METAL CONTACT AND REDUCES VIBRATION.

PLUSNUT INSTALLATION - A PLUSNUT GUN IS RECOMMENDED FOR PLUSNUT INSTALLATION FOR ITS PRODUCTION SPEED. HOWEVER, A PLUSNUT SETTING TOOL CAN ALSO BE USED (P/N: 22200-0).

THRU-BOLT CLEARANCE - WHEN USING A THRU-BOLT AT ANY MOUNTING LOCATION, BE SURE THAT YOUR HOLE HAS 1/16" CLEARANCE.

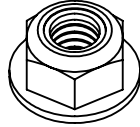
BEST PRACTICE: ORGANIZE ALL FASTENERS & VERIFY THAT ALL ARE ACCOUNTED FOR

PAGE:

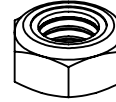
3

FASTENERS AND HARDWARE USED

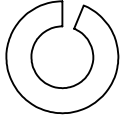
BAG REFERENCE: BAG68181 & BAG72513



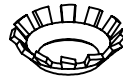
FAS0861
NUT,HEX NLK FLG 5/16-18
QTY: 18



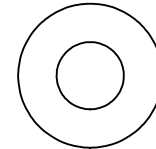
FAS0399
NUT,HEX NLK LT 3/8-16
QTY: 02



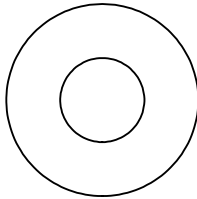
FAS0588
WASHER,LCK SPLIT 5/16
QTY: 02



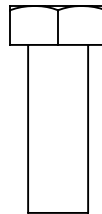
FAS0857
WASHER,LCK EXT CS 5/16
QTY: 04



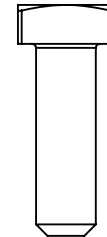
FAS0552
WASHER,FLAT USS 5/16
QTY: 06



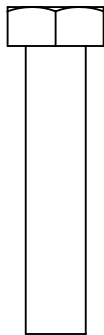
FAS0720
WASHER,FLAT USS 3/8
QTY: 01



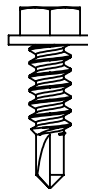
FAS0283
SCREW,HH 5/16-18X.875
QTY: 02



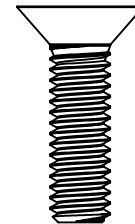
FAS0035
BOLT,SQ HD 5/16-18X1.0
QTY: 04



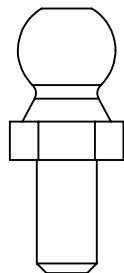
FAS0242
SCREW,HH 5/16-18X1.5
QTY: 04



FAS0473
SCREW,HH TEK #12X.75
QTY: 04



FAS0856
SCREW,FHH 5/16-18X1.13
QTY: 04



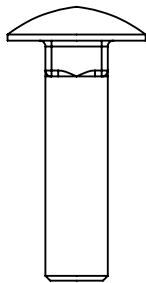
34927-0
BALL STUD 13MM X 5/16-18
QTY: 02



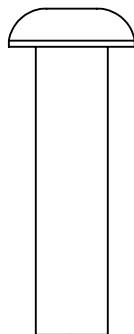
FAS0820
SCREW,BHCS 3/8-16X1.00
QTY: 01

INTENTIONALLY LEFT BLANK

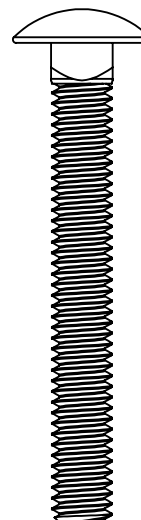
FASTENERS AND HARDWARE USED



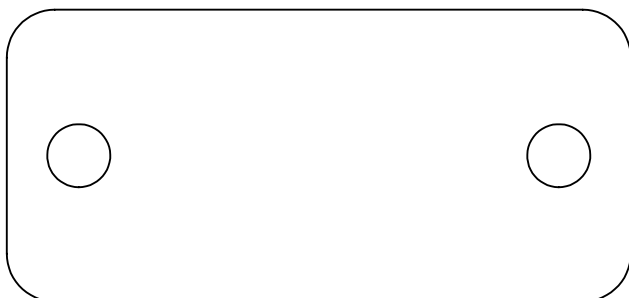
FAS0812
BOLT,CRG 5/16-18X1.25
QTY: 04



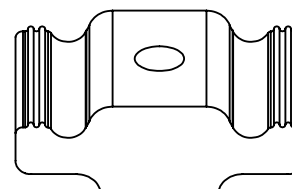
FAS0819
SCREW,BHCS 3/8-16X1.5
QTY: 01



FAS0838
BOLT,CRG 5/16-18X2.5
QTY: 04



64831
REAR ROLLER, SPACER
QTY: 02



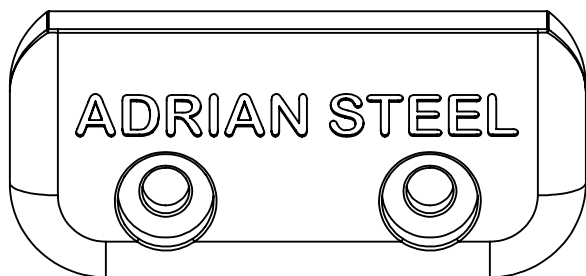
63490
RAIL SLIDE, 1"
QTY: 06



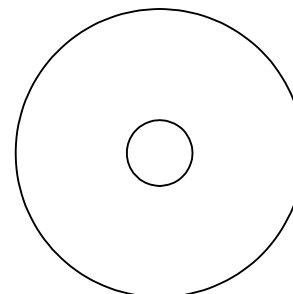
64830
REAR ROLLER, BOLT PLATE
QTY: 02



34928-0
CLIP, SPRING, RETAINER, 13MM
QTY: 04



65961
DROP DOWN END CAP
QTY: 02



DISCARD FAS0603
SCREW,HH 5/16-18X.875
QTY: 02

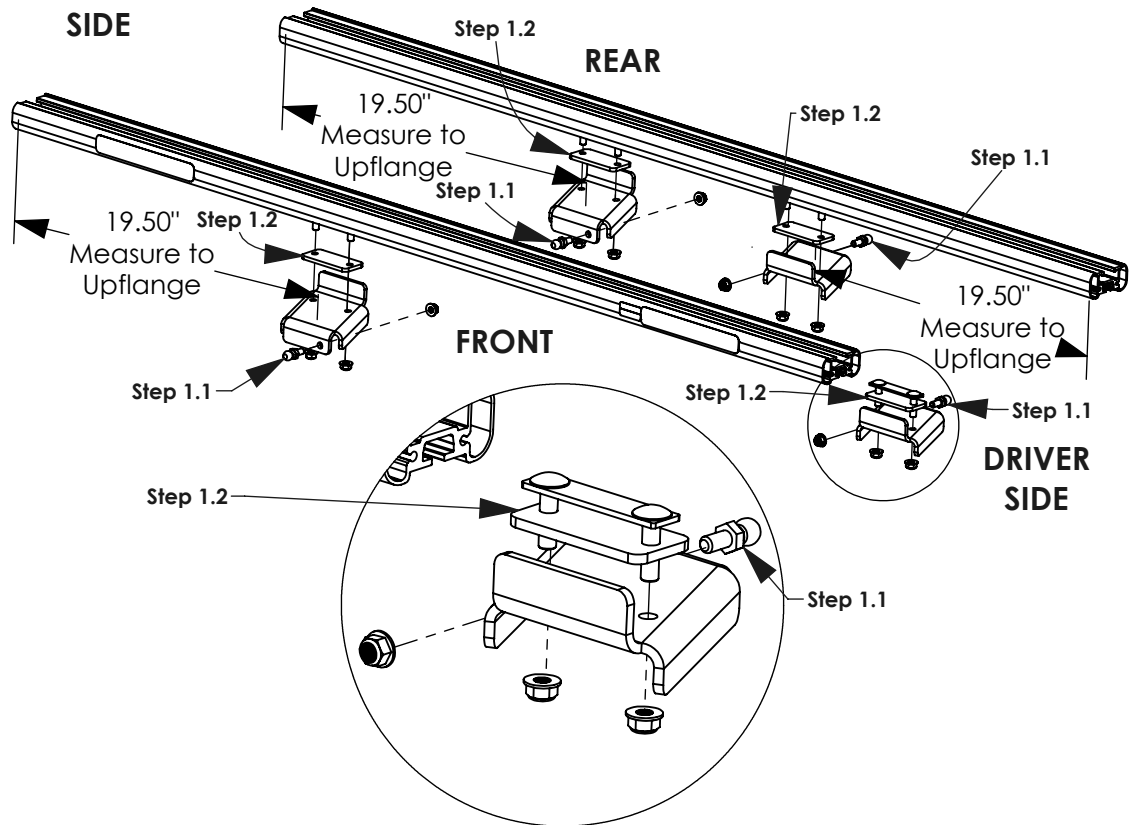
INTENTIONALLY LEFT BLANK

STEP 1 - MOUNT DAMPER BRACKETS

A.2

PASSENGER SIDE

Step 1.1
FULLY TIGHTEN
34927-0 & FAS0861
(02 PLACES PER SIDE)
13mm WRENCH
1/2" SOCKET

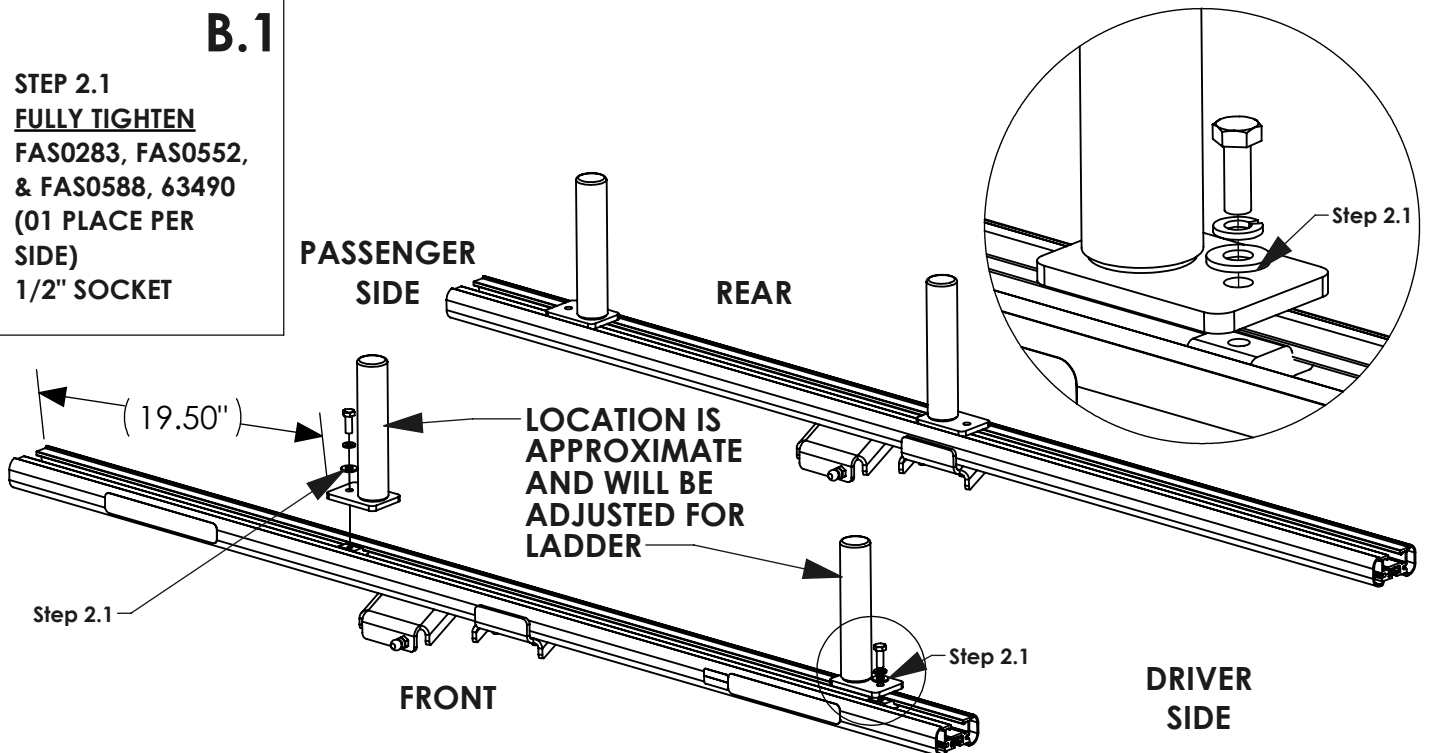


STEP 1.2
FULLY TIGHTEN
(02) FAS0812,
68628, 64831, &
(02) FAS0861
(02 PLACES PER SIDE)
1/2" SOCKET

STEP 2 - MOUNT INNER STOPS TO FRONT CROSSBOW

B.1

STEP 2.1
FULLY TIGHTEN
FAS0283, FAS0552,
& FAS0588, 63490
(01 PLACE PER SIDE)
1/2" SOCKET



STEP 3 - INSTALL CLAMPS AND HARDWARE ON DROP DOWN CARTRIDGES

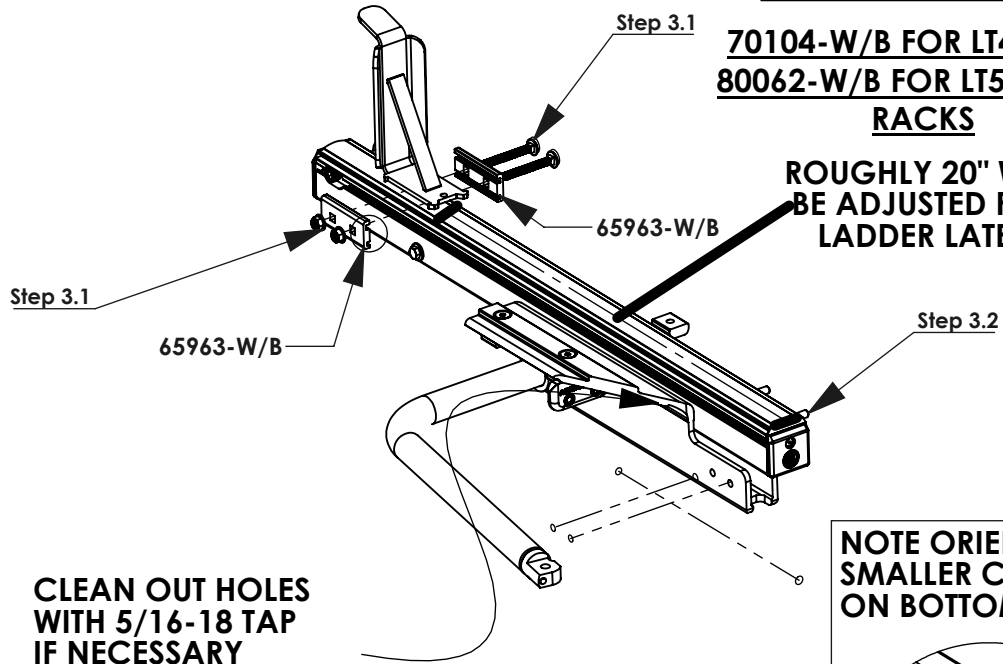
REAR SUB-ASSEMBLY

PASSENGER SIDE

**70104-W/B FOR LT4 RACKS
80062-W/B FOR LT5 AND LT6 RACKS**

ROUGHLY 20" WILL BE ADJUSTED FOR LADDER LATER

**STEP 3.1
FULLY TIGHTEN
FAS0838 &
FAS0861
(02 PLACES)
1/2" SOCKET**



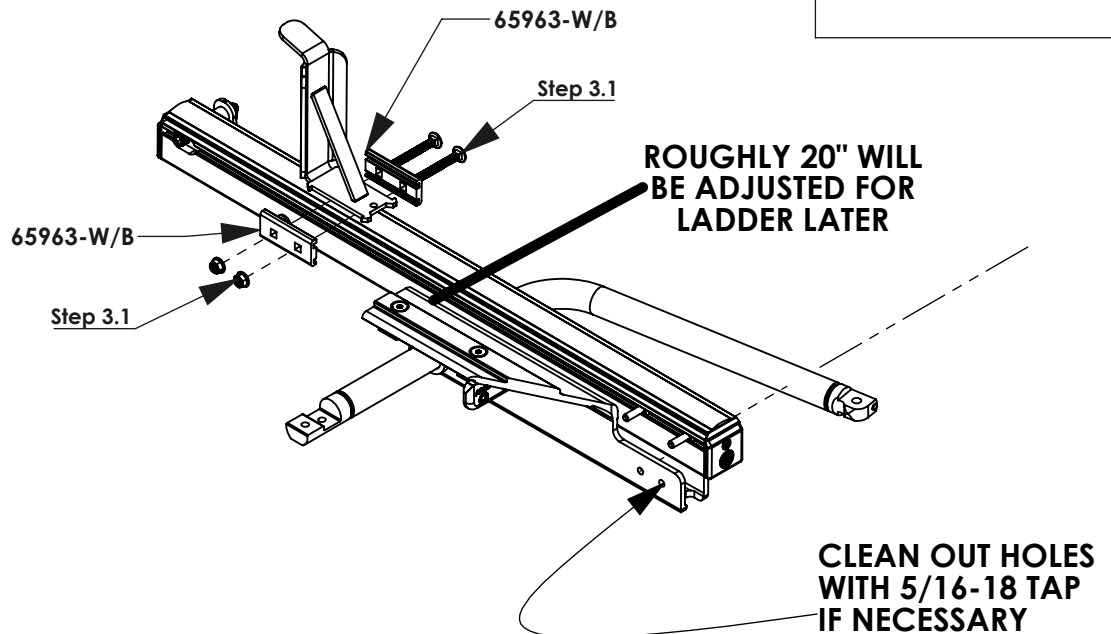
**NOTE ORIENTATION:
SMALLER CHANNEL
ON BOTTOM**

DRIVER SIDE

**70105-W/B FOR LT4 RACKS
80063-W/B FOR LT5 AND LT6 RACKS**

ROUGHLY 20" WILL BE ADJUSTED FOR LADDER LATER

**STEP 3.2
FAS0035
SLIDE INTO SLOT
(02 PLACES)**



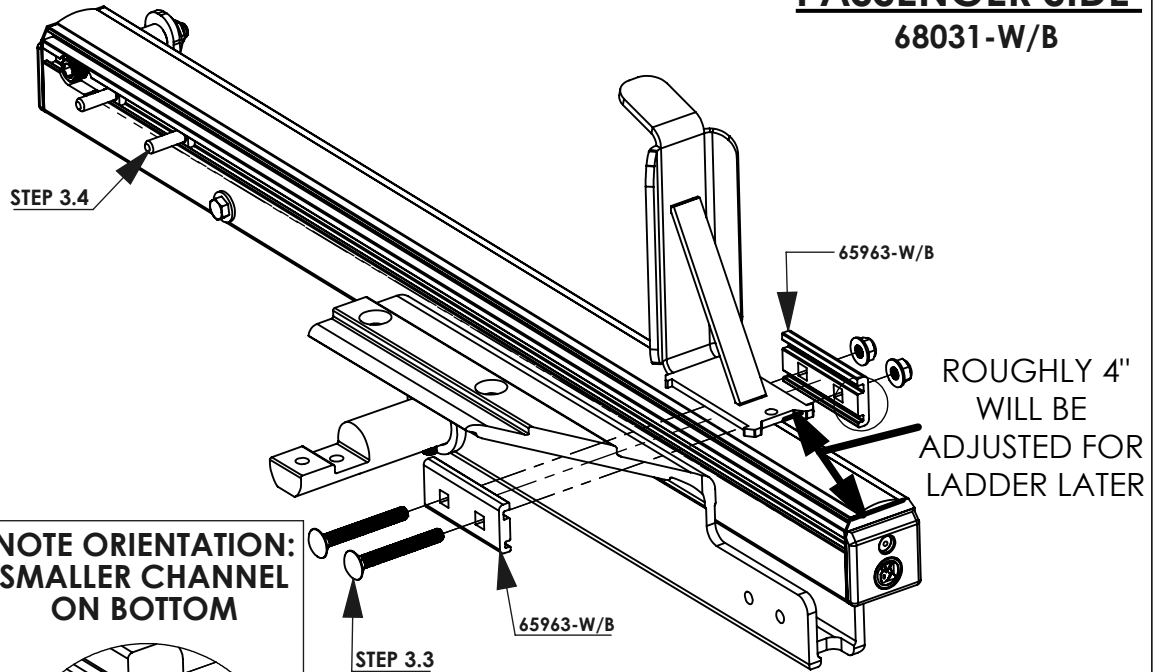
**CLEAN OUT HOLES
WITH 5/16-18 TAP
IF NECESSARY**

FRONT SUB-ASSEMBLY

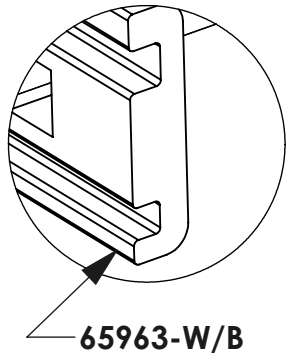
PASSENGER SIDE

68031-W/B

STEP 3.3
FULLY TIGHTEN
FAS0838 &
FAS0861
(02 PLACES)
1/2" SOCKET



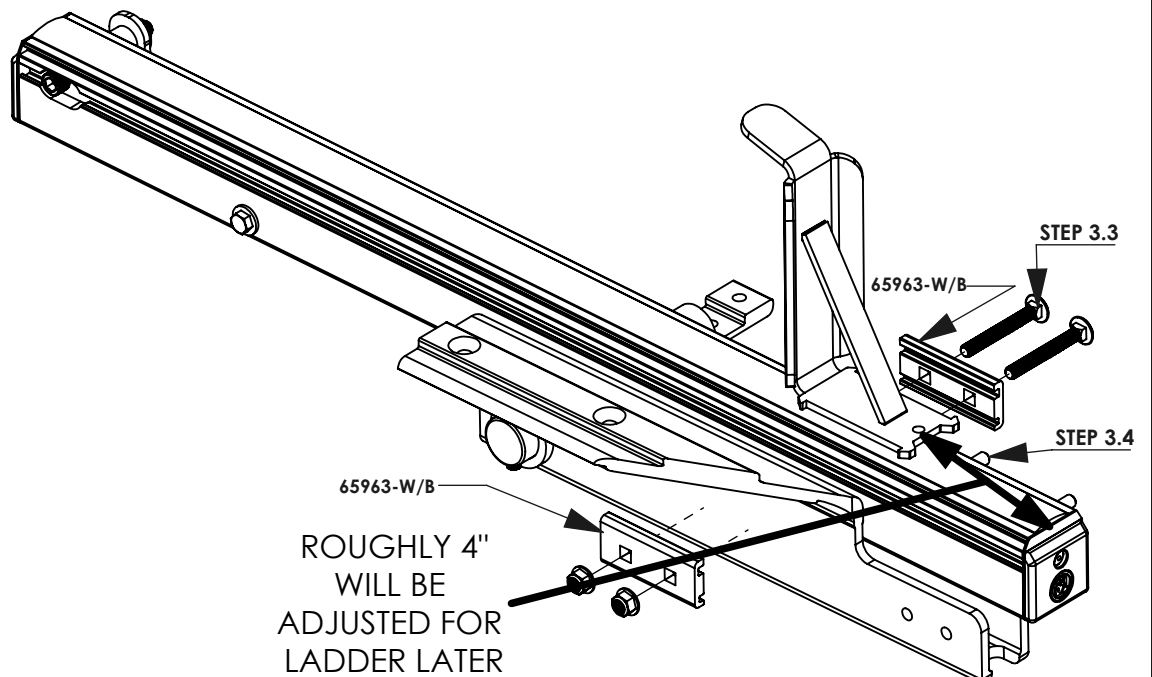
NOTE ORIENTATION:
SMALLER CHANNEL
ON BOTTOM



DRIVER SIDE

68013-W/B

STEP 3.4
FAS0035
SLIDE INTO SLOT
(02 PLACES)

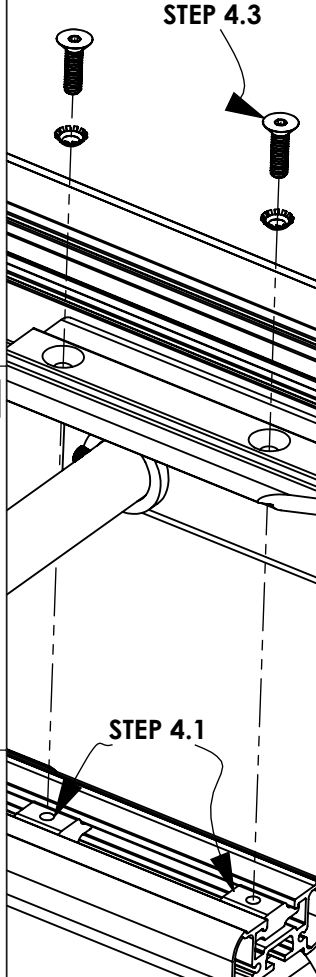




REFERENCE INSTALLATION GUIDE 68895 TABLES 1-3 INSTALLATION OF A.1, A.2, B.1, & B.2 SHOULD BE COMPLETE BEFORE PROCEEDING TO STEP 4

STEP 4 - INSTALL CARTRIDGES ON CROSSBOWS

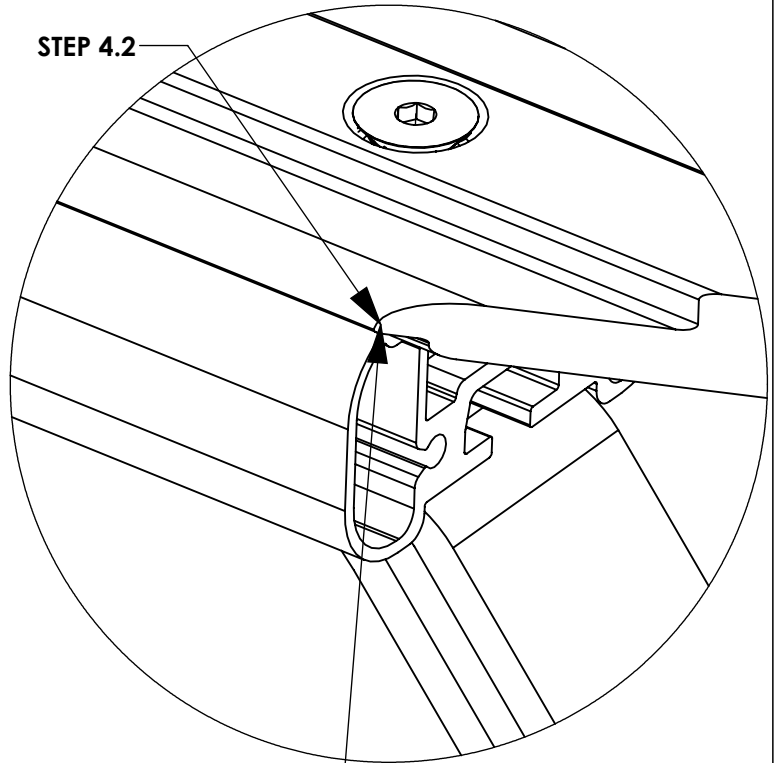
STEP 4.1
SLIDE 63490 INTO
END OF
CROSSBOWS



C.1

STEP 4.2
LINE UP CORNERS
WITH END OF
CROSSBOW

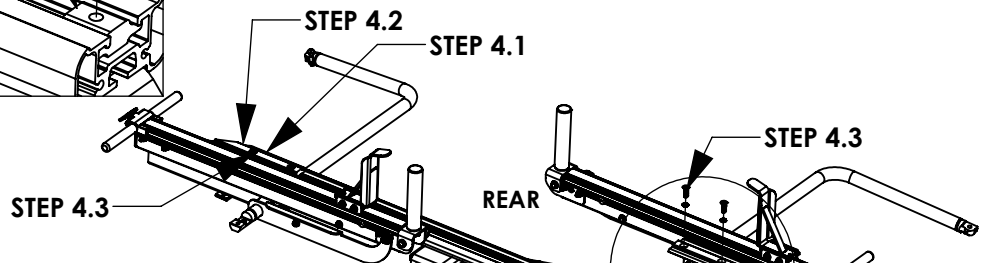
STEP 4.2



LINE UP CORNERS!!

STEP 4.3
FULLY TIGHTEN
(02) FAS0856,
(02) FAS0857, &
(02) 63490
(02 PLACES PER
SIDE)
3/16" ALLEN

STEP 4.1



PASSENGER
SIDE

REAR

DRIVELINE WILL BE
UNDER CROSSBOW

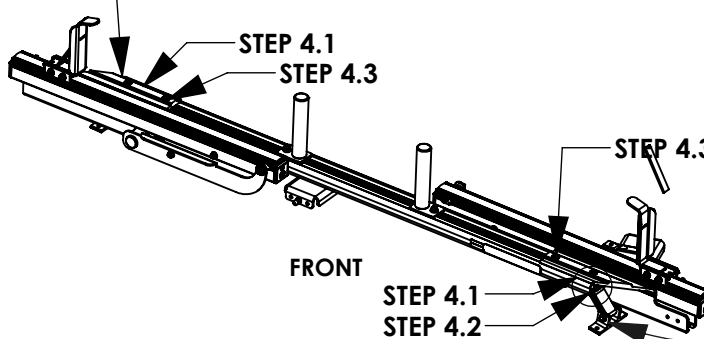
STEP 4.2

STEP 4.1

STEP 4.3

STEP 4.3

STEP 4.1



FRONT

DRIVER
SIDE

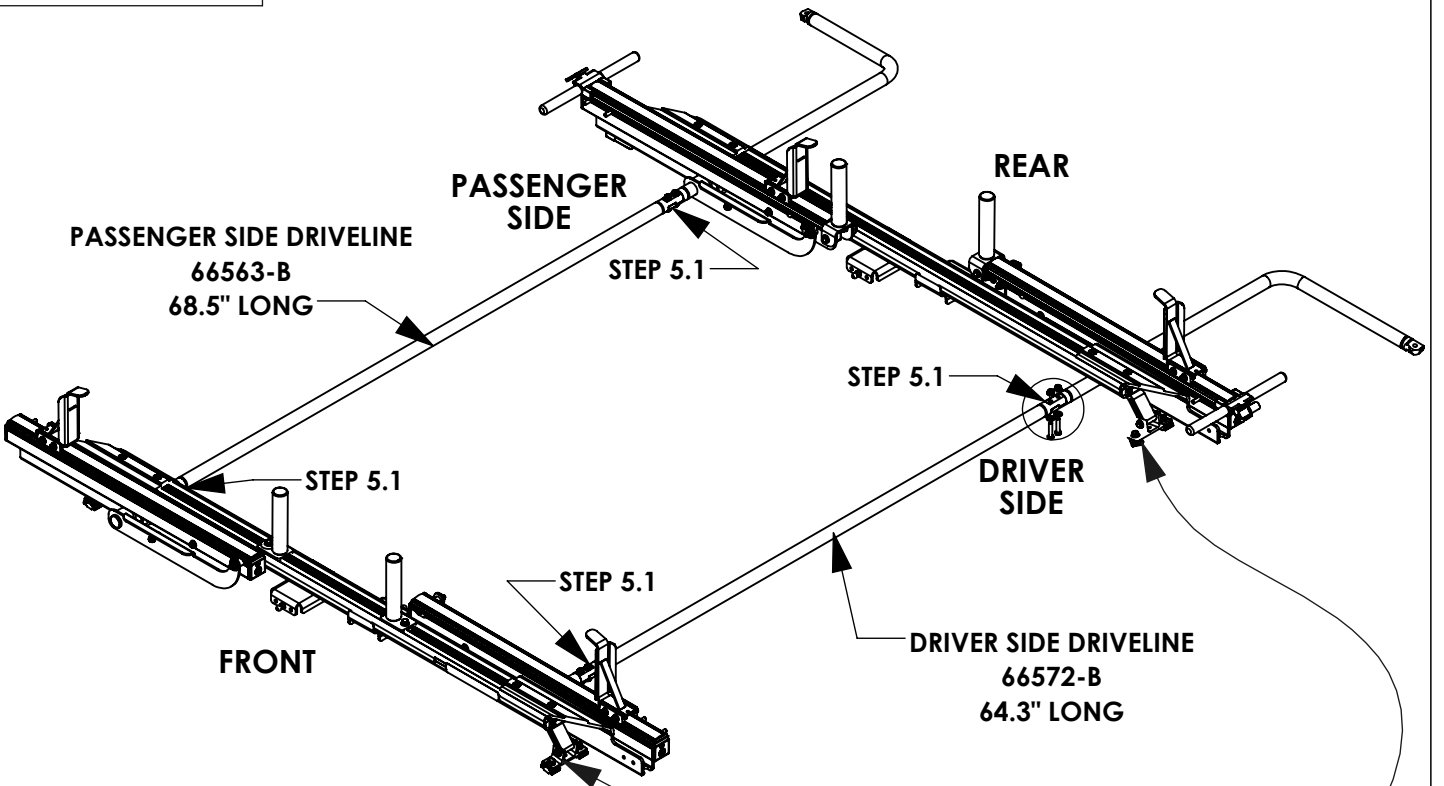
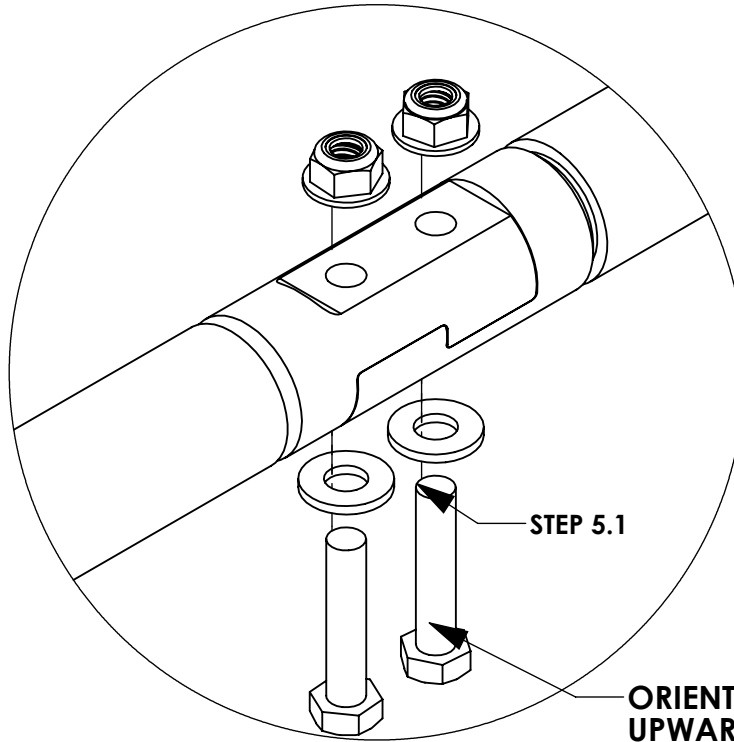
STEP 4.1
STEP 4.2

UNIVERSAL MOUNTING
KIT SHOWN
FOR REFERENCE

STEP 5 - INSTALL DRIVELINE

STEP 5.1
FULLY TIGHTEN
FAS0242, FAS0552
& FAS0861
(04 PLACES PER
SIDE)
1/2" WRENCH
1/2" SOCKET

BEST PRACTICE:
WHEN INSTALLING
BOLTS OPEN RACK
ROUGHLY 45
DEGREES FOR
EASIER ACCESS &
INSTALLATION



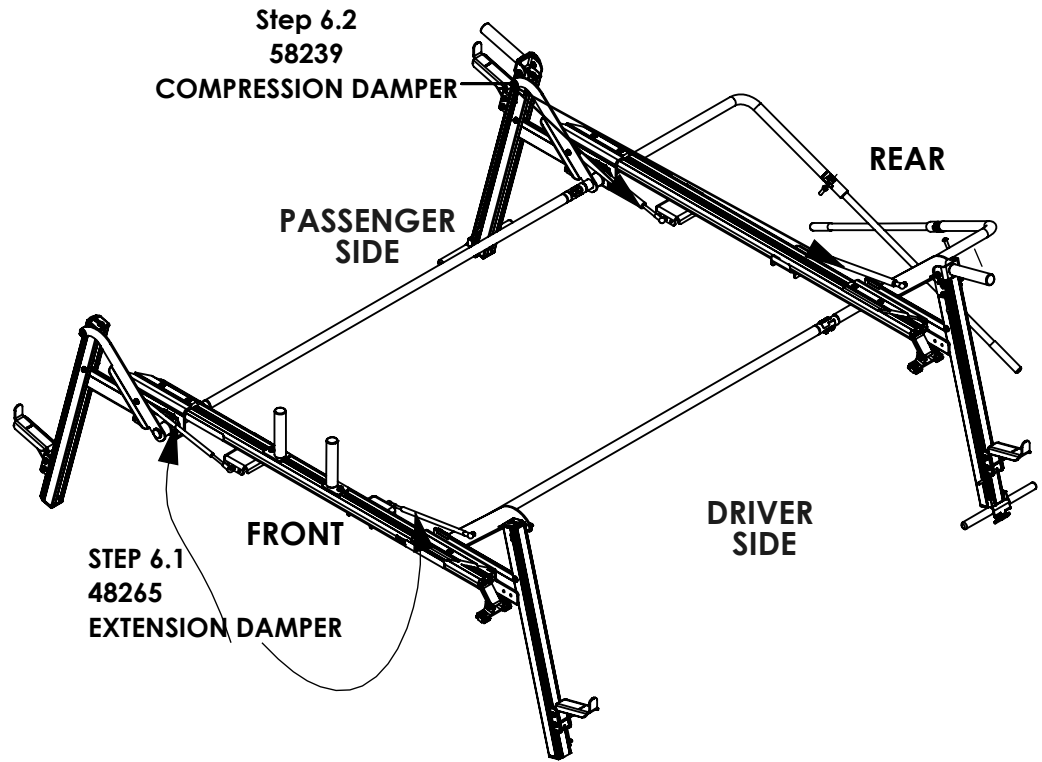
UNIVERSAL MOUNTING
KIT SHOWN
FOR REFERENCE

STEP 6 - DEPLOY RACK & INSTALL DAMPERS AND DROP DOWN HANDLE

Step 6.1
 ATTACH EXTENSION DAMPERS (48625) TO BALL STUDS.
ORIENTATION OF DAMPER MATTERS!!!
 (01 PLACE PER SIDE)

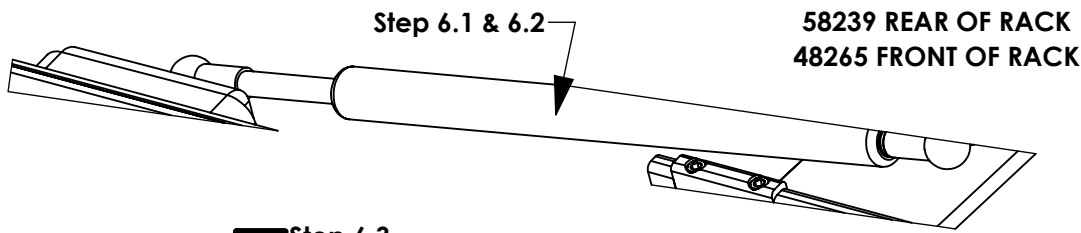
Step 6.2
 ATTACH COMPRESSION DAMPERS (58239) TO BALL STUDS.
ORIENTATION OF DAMPER MATTERS!!!
 (01 PLACE PER SIDE)

Step 6.3
 INSERT LOCKING PINS (34928-0) AFTER MOUNTING DAMPERS TO BALL STUDS
 (04 PLACES PER SIDE)

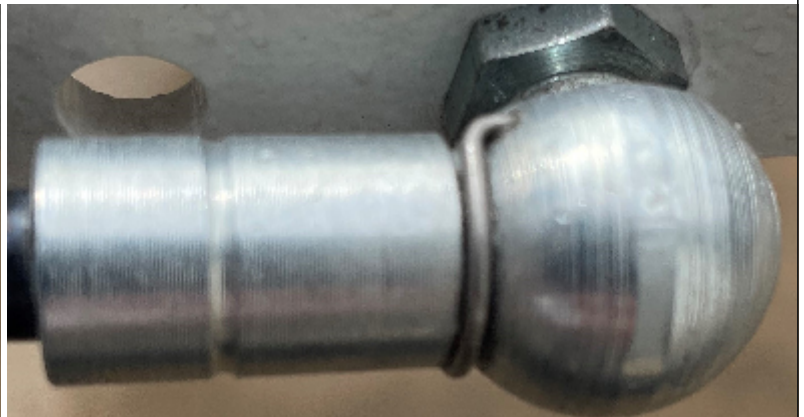
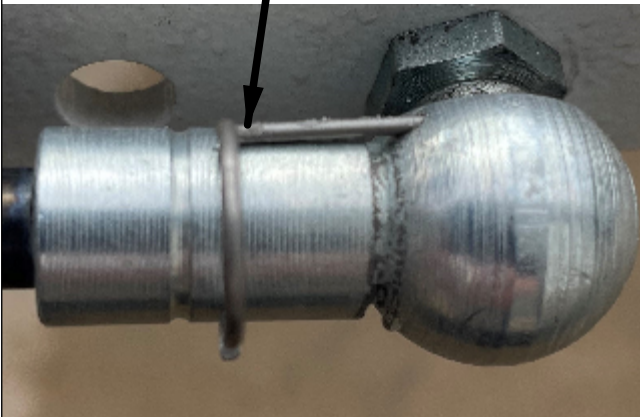


ORIENTATION OF DAMPER MATTERS!!!!

LARGE CYLINDER OF DAMPER ATTACHES TO ARM
 SMALL ROD END ATTACHES TO DAMPER BRACKET

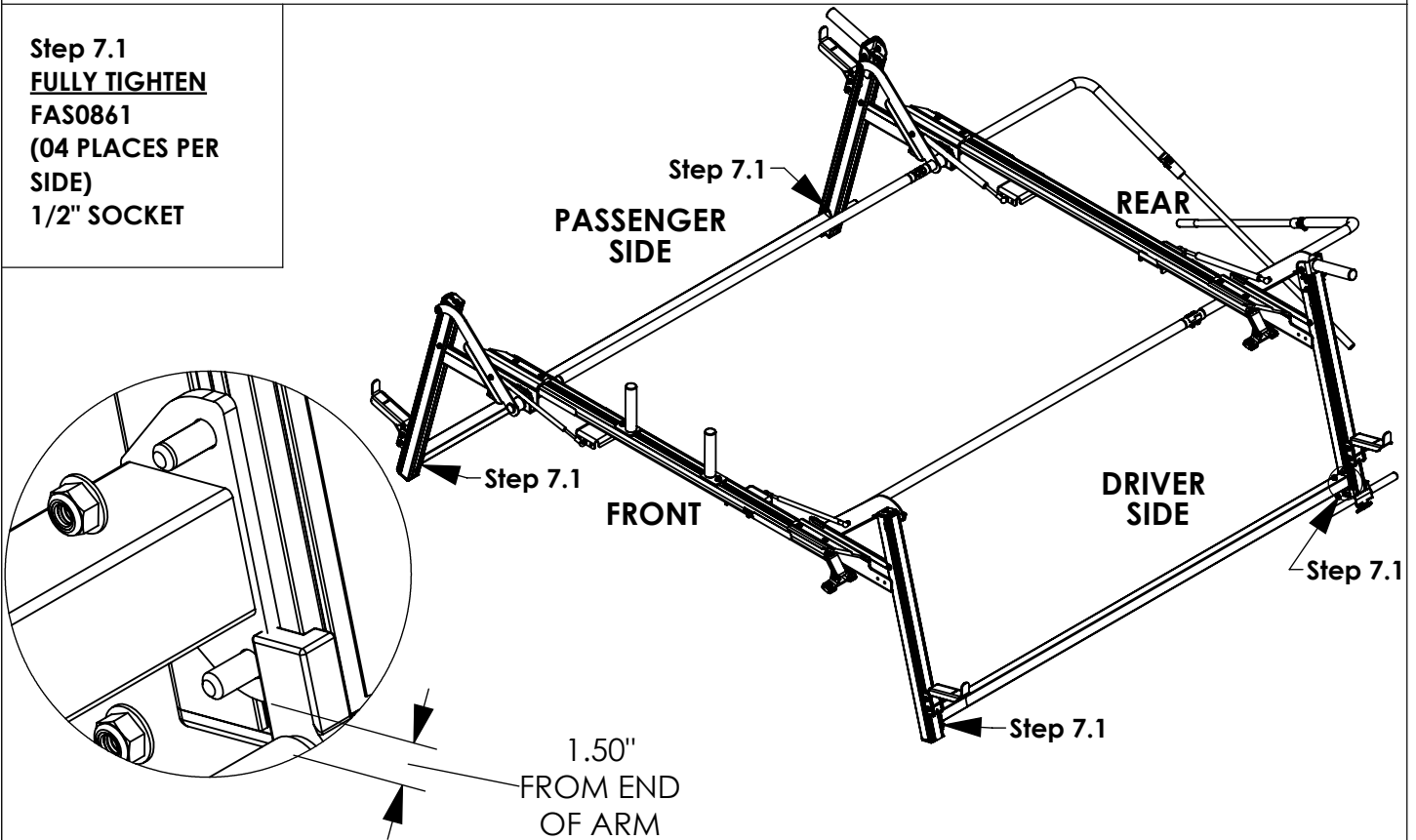


Step 6.3
 34928-0



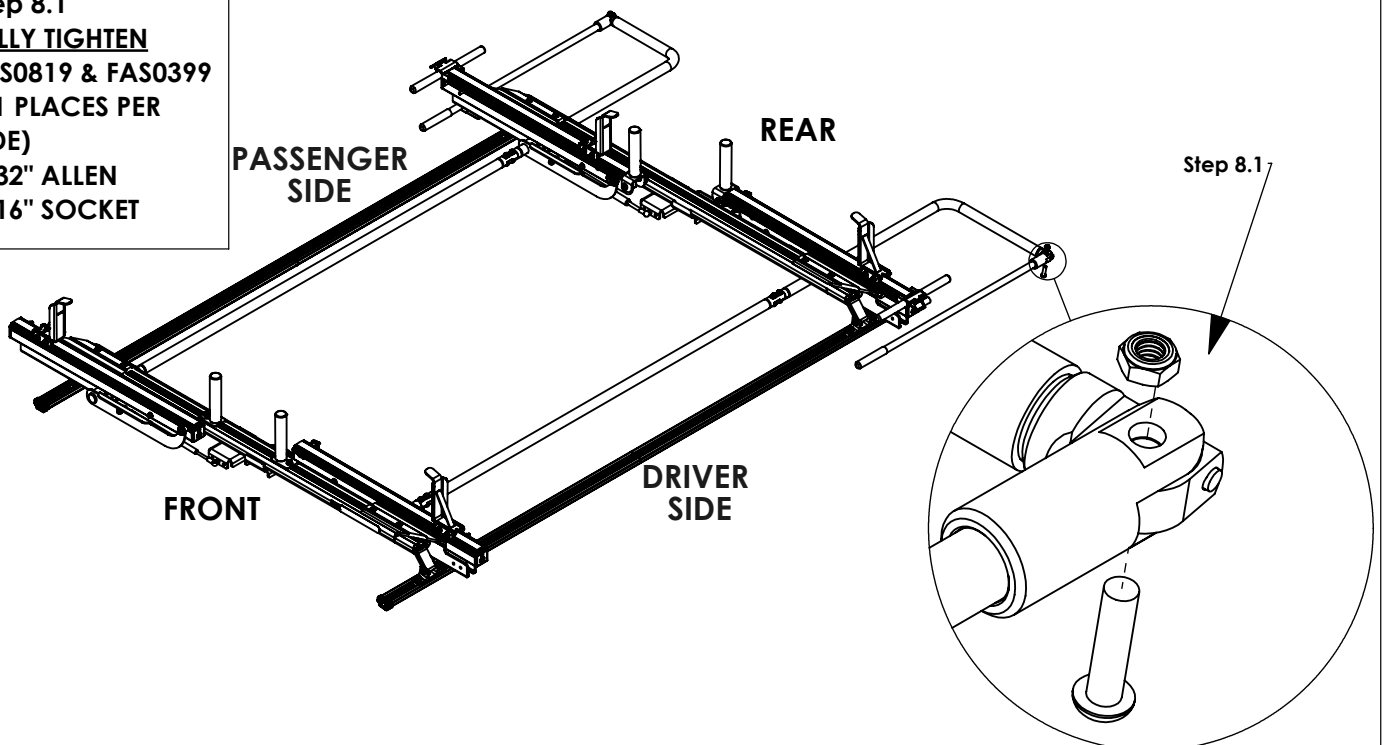
STEP 7 - WHILE RACK DEPLOYED INSTALL O.S. BAR

Step 7.1
FULLY TIGHTEN
FAS0861
(04 PLACES PER
SIDE)
1/2" SOCKET



STEP 8 - INSTALL DROP DOWN HANDLE

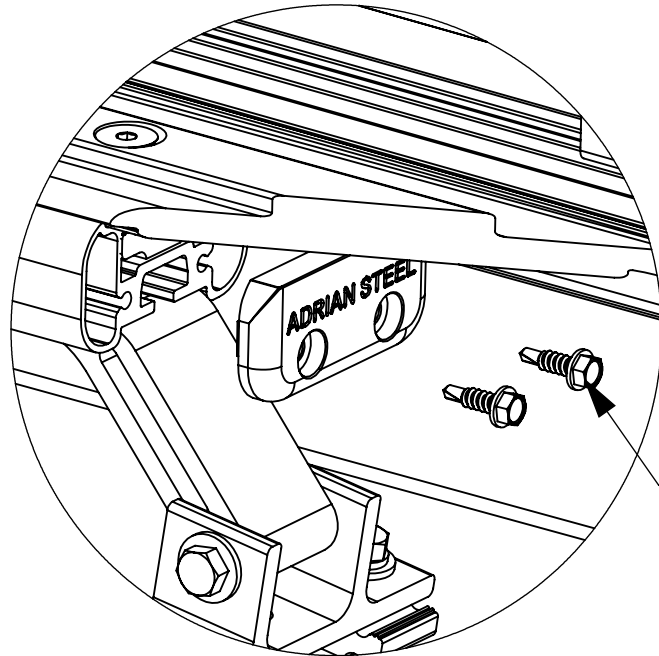
Step 8.1
FULLY TIGHTEN
FAS0819 & FAS0399
(01 PLACES PER
SIDE)
7/32" ALLEN
9/16" SOCKET



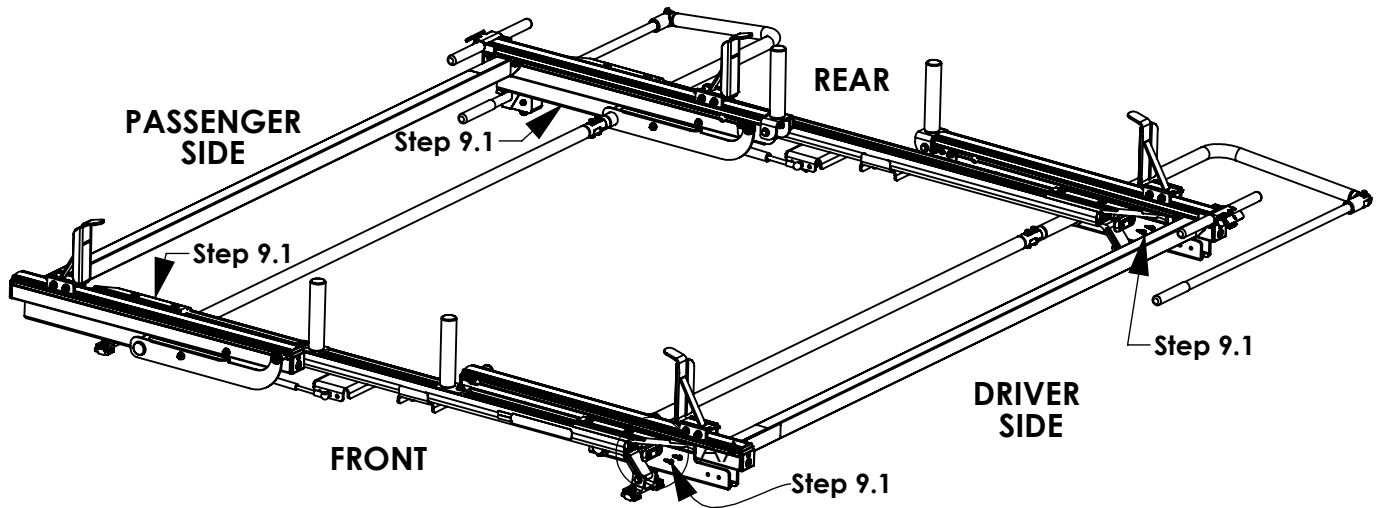
MAKE SURE ALL FASTENERS ARE TIGHTENED!!! INSTALLATION IS COMPLETE

STEP 9 - INSTALL CROSSBOW END CAPS

Step 9.1
FULLY TIGHTEN
(02) FAS0473, 65961
(02 PLACES PER SIDE)
3/8" SOCKET



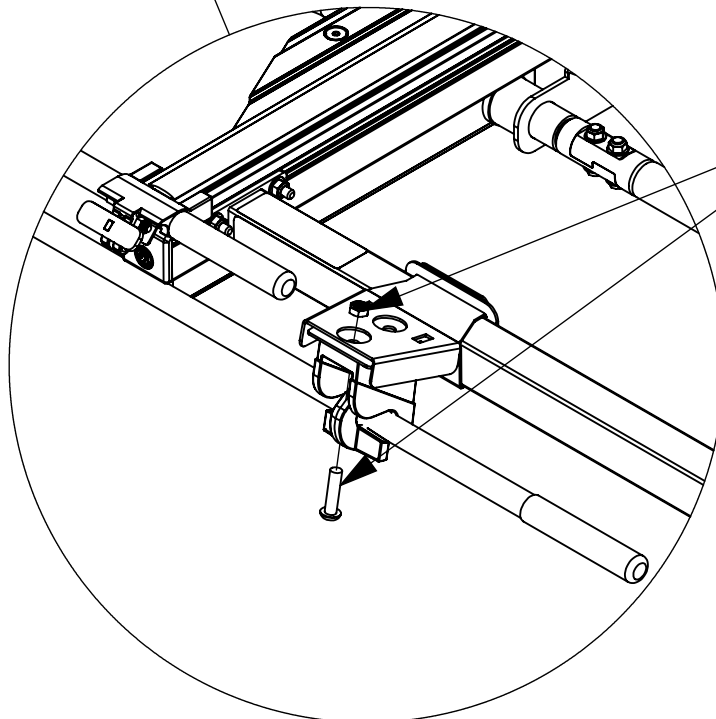
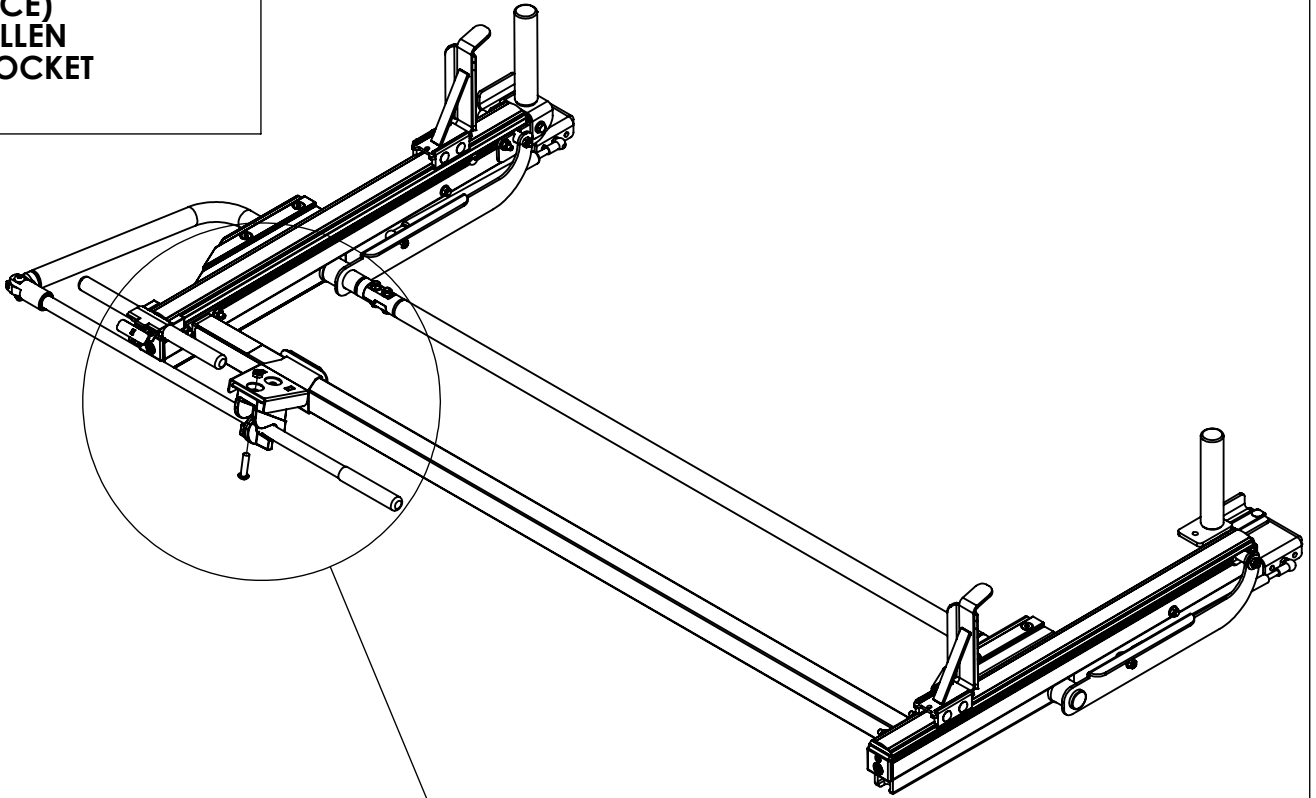
Step 9.1



MAKE SURE ALL FASTENERS ARE TIGHTENED!!! INSTALLATION IS COMPLETE

STEP 10 - INSTALL HANDLE LATCH

**STEP 10.1
FULLY TIGHTEN
FAS0819, FAS0399,
(01 PLACE)
7/32" ALLEN
9/16" SOCKET**



Step 10.1