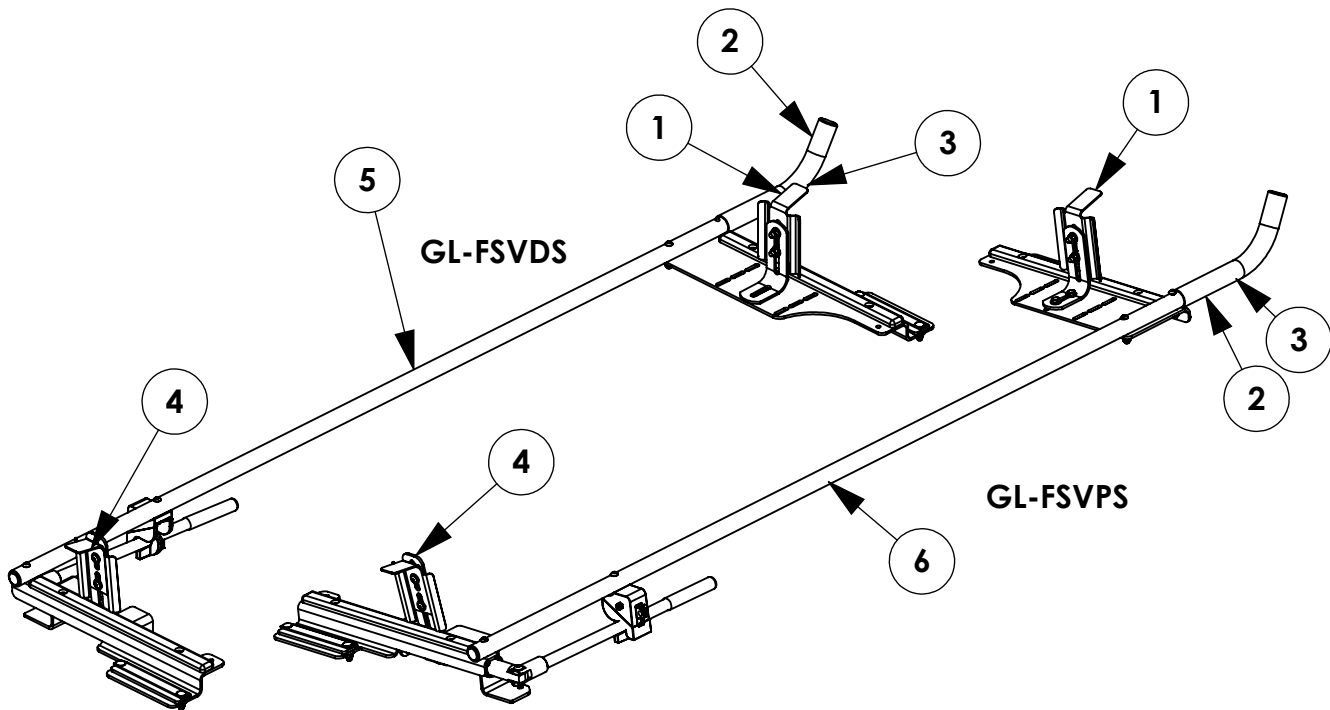


INSTR. NUMBER : 67116	PG: 1	REV: C	ITEM NO.	PART NUMBER	DESCRIPTION	GL-FSVDS	GL-FSVPS
PART NUMBER • GL-FSVDS PART NUMBER • GL-FSVPS			1	66358	GRIP LOCK FRONT STOP ASSM	1	1
			2	27254-B	SLEEVE-HORN,L.R. BLACK	1	1
PART • GL FULL SIZE VEHICLE DS DESC. • GL FULL SIZE VEHICLE PS			3	66293	GRIP LOCK OUTER TUBE	1	1
			4	66357	GRIP LOCK HANDLE CLAMP POST	1	1
NOTE: THIS INSTRUCTION IS VALID FOR THE FOLLOWING KITS:			5	69445	GRIP LOCK FSV, ASM DS	1	-
			6	69444	GRIP LOCK FSV, ASM PS	-	1

NOTE: 66357, 69444, & 69445 ARE AVAILABLE IN BLACK VARIANTS - FOR THEIR IDENTIFICATION, ADD THE "-B" SUFFIX TO THE END OF THE PART NUMBER

- GL-FSVDS
- GL-FSVPS
- GL-FSVPSB
- GL-FSVDSB



****IF BUILDING A DUAL SIDED RACK BUILD BOTH SIDES IN PARALLEL FOR EACH STEP. IF BUILDING SINGLE SIDED REFERENCE ONLY THAT SIDE WHEN BUILDING.****

- TOOLS NEEDED:**
- 1/2" SOCKET
 - 1/2" WRENCH
 - 9/16" SOCKET
 - 3/16" ALLEN WRENCH
 - DRIVE RATCHET
 - IMPACT DRIVER

GET TO KNOW THE VEHICLE - AT THE BEGINNING OF ANY INSTALLATION, CHECK THE LOCATION OF THE FUEL TANK, FUEL LINES, BRAKE LINES, HIGH VOLTAGE BATTERIES AND WIRING HARNESES TO AVOID INJURY OR PROPERTY DAMAGE FROM TOOL CONTACT.

SEAL ALL EXTERIOR HOLES - ALL INSTALLATION HOLES SHOULD BE SEALED WITH BUTYL TAPE OR SILICON TO PREVENT WATER AND EXHAUST GASES FROM ENTERING THE VEHICLE.

CONTROL DRILL DEPTH - TO AVOID DAMAGE TO THE VEHICLE, USE A DRILL STOP OR CLEARED STEP BIT WHEN DRILLING INSTALLATION HOLES.

ALWAYS ADD PRIMER - WHEN ADDING INSTALLATION HOLES BE SURE TO USE A SELF-ETCHING PRIMER TO PREVENT CORROSION, FASTENER FAILURE AND INJURY.

MOUNTING POINTS MUST HAVE METAL-TO-METAL CONTACT - USE PROVIDED MOUNTING SPACERS TO ACCOMMODATE FOR VEHICLE FEATURES, CARPET OR SUBFLOORS.

PROVIDE CLEARANCE FOR SPACERS - IF THE INSTALLATION VEHICLE CONTAINS A CARPET OR SUBFLOOR, USE A 1-3/16" DIAMETER CARPET CUTTER (P/N: 31183-0) AT ALL MOUNTING LOCATIONS TO OPEN UP ROOM FOR SPACERS.

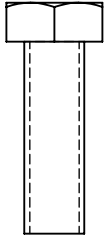
CHECK SPACER ORIENTATION - BE SURE THAT THE INDENT IN THE SPACER COVERS THE PLUSNUT HEAD; THIS ENSURES THE MOST METAL-TO-METAL CONTACT AND REDUCES VIBRATION.

PLUSNUT INSTALLATION - A PLUSNUT GUN IS RECOMMENDED FOR PLUSNUT INSTALLATION FOR ITS PRODUCTION SPEED. HOWEVER, A PLUSNUT SETTING TOOL CAN ALSO BE USED (P/N: 22200-0).

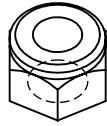
THRU-BOLT CLEARANCE - WHEN USING A THRU-BOLT AT ANY MOUNTING LOCATION, BE SURE THAT YOUR HOLE HAS 1/16" CLEARANCE.

FASTENERS USED

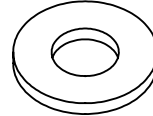
BAG REFERENCE: BAG66374



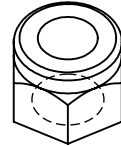
FAS0597
SCREW, HH SS
5/16-18X1.00
SINGLE QTY: 2



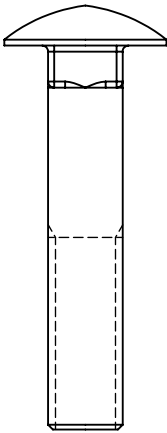
FAS0248
NUT, HEX NLK
5/16-18 SS
SINGLE QTY: 3



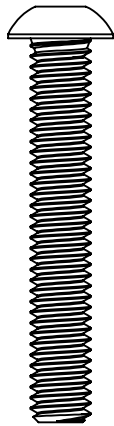
FAS0552
WASHER, FLAT
5/16 USS SS
SINGLE QTY: 5



FAS0110
NUT, HEX NLK
3/8-16 SS
QTY: 1



FAS0721
BOLT, CRG SS
3/8-16X2.00
QTY: 1



FAS0841
SCRW, BHCS SS
5/16-18X2.0
QTY: 1

FOR DUAL SIDED RACK DOUBLE FASTENER QUANTITY

INTENTIONALLY LEFT BLANK



SHIP THRU FINAL DEALER ASSEMBLY

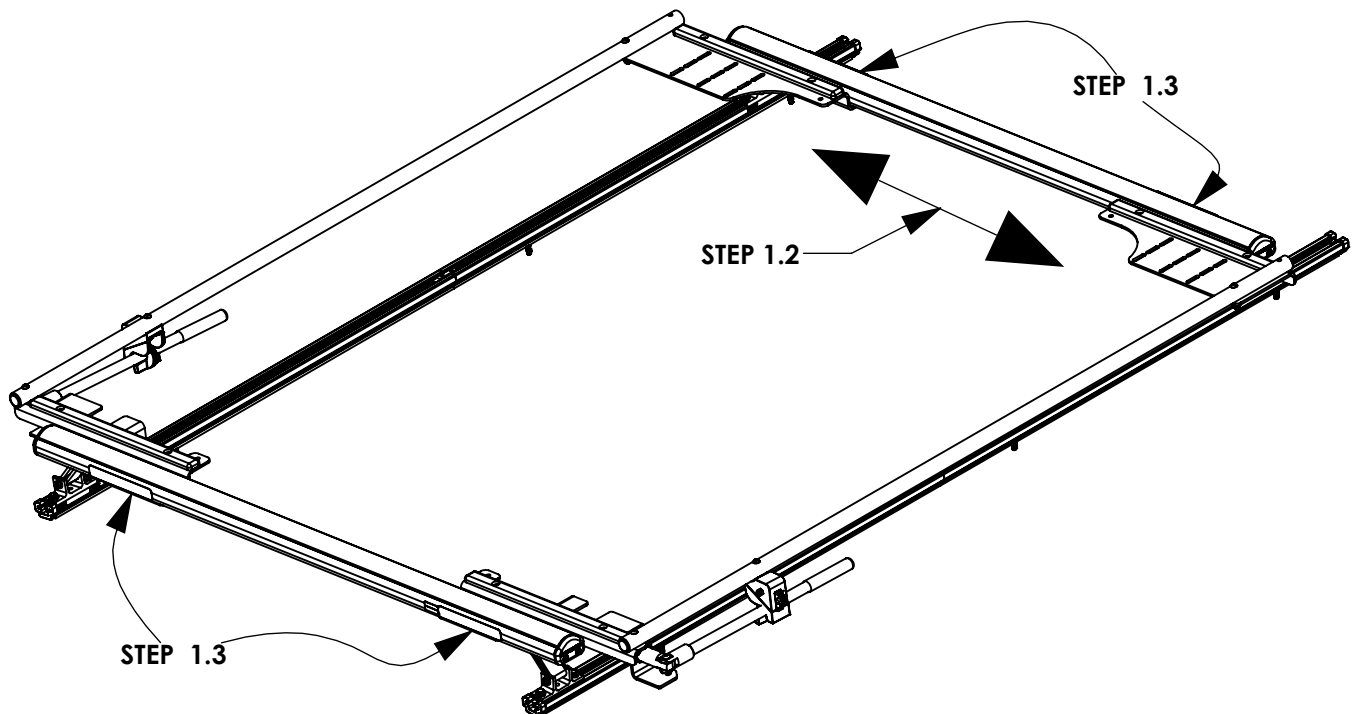
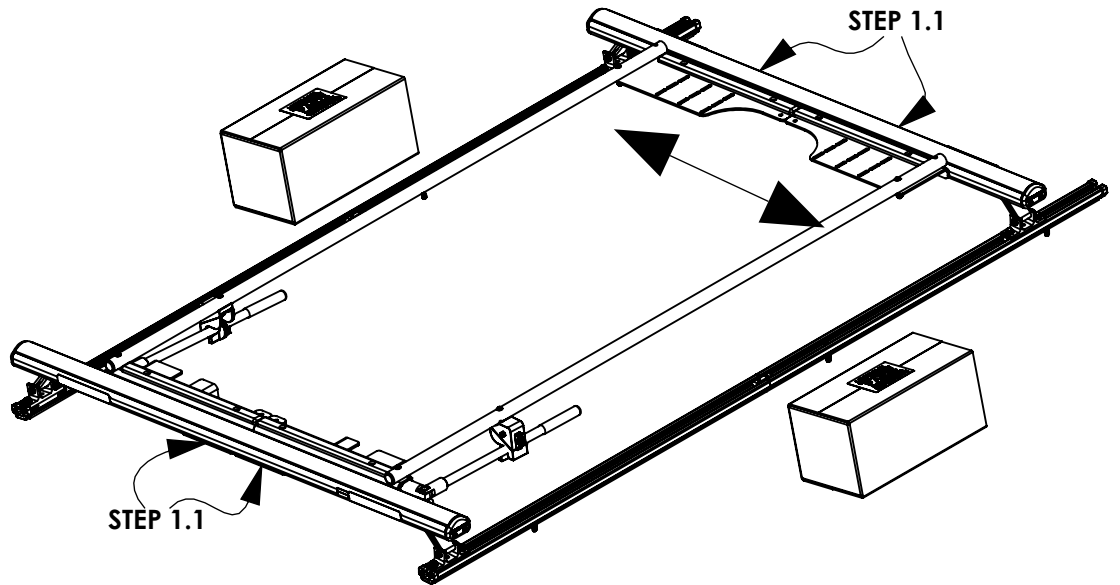
IF NOT RECEIVING SHIP THRU RACK SKIP TO STEP 2

STEP 1 SLIDE RACK OUT FROM SHIP THRU MODE

STEP 1.1
LOOSEN FAS0248
(04 PLACES PER SIDE)
1/2" WRENCH

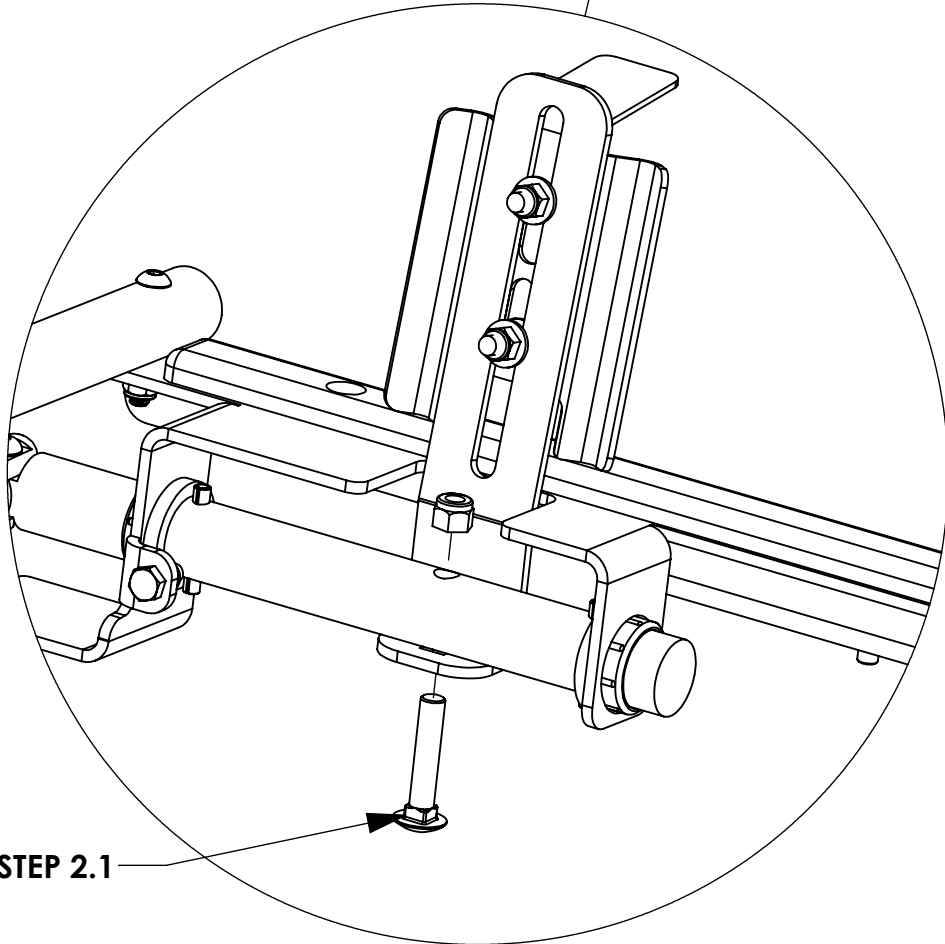
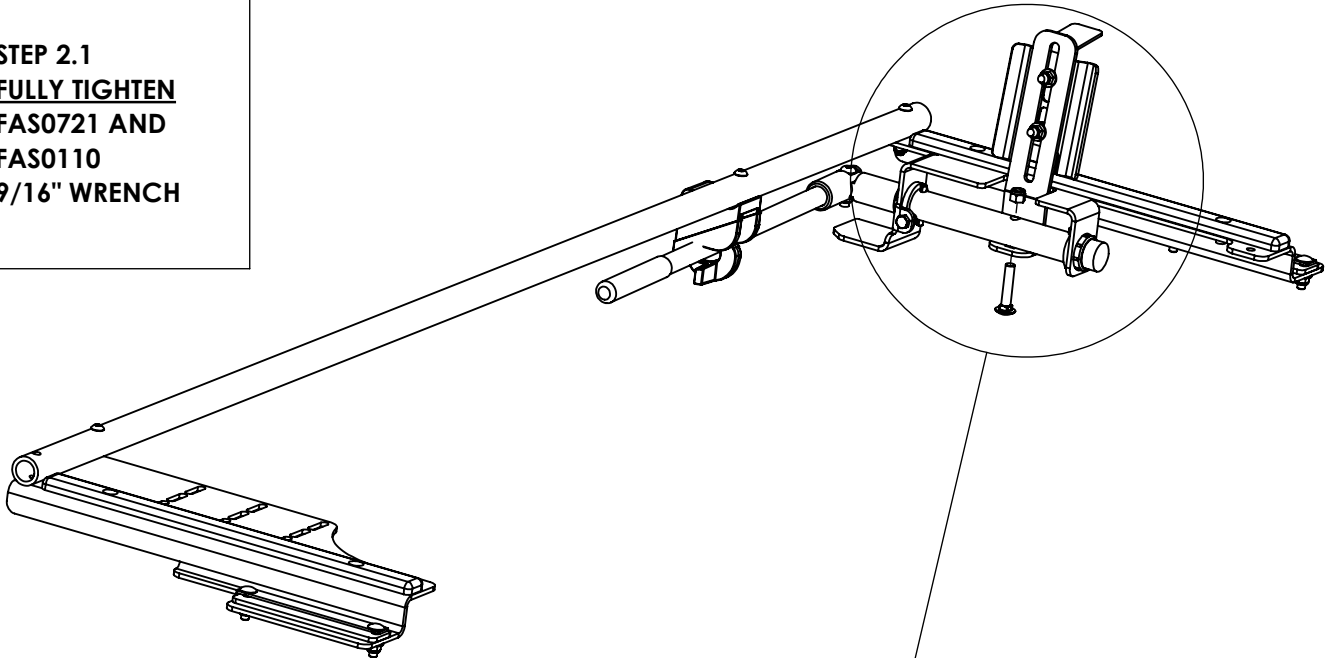
STEP 1.2
SLIDE RACK
OUTWARDS UNTIL
GRIP LOCK
TOUCHES
MOUNTING FEET

STEP 1.3
FULLY TIGHTEN
FAS0248
(04 PLACES PER SIDE)
1/2" WRENCH



STEP 2 -ASSEMBLE HANDLE POST TO REAR BRACE ASSEMBLY

STEP 2.1
FULLY TIGHTEN
FAS0721 AND
FAS0110
9/16" WRENCH

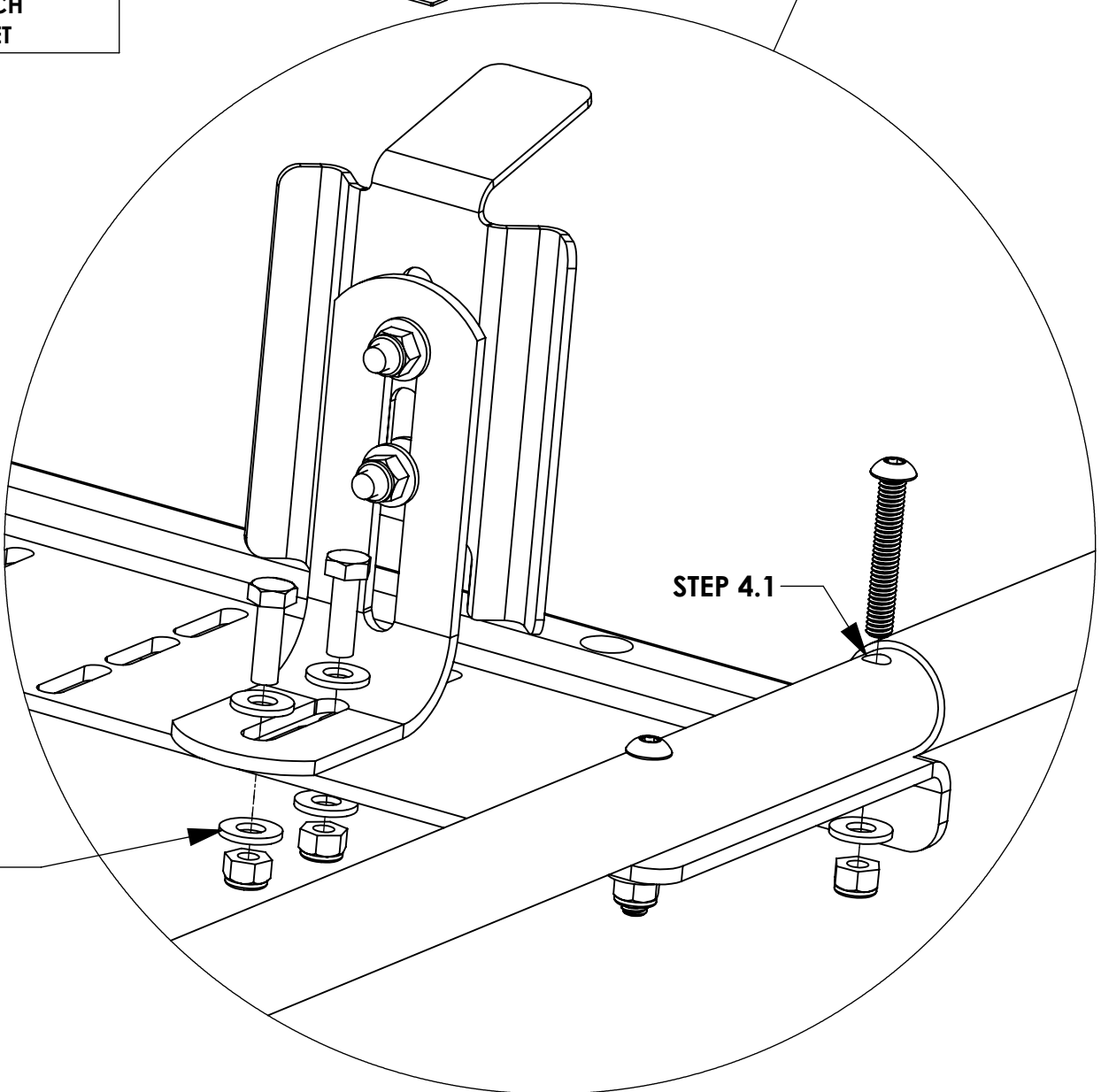
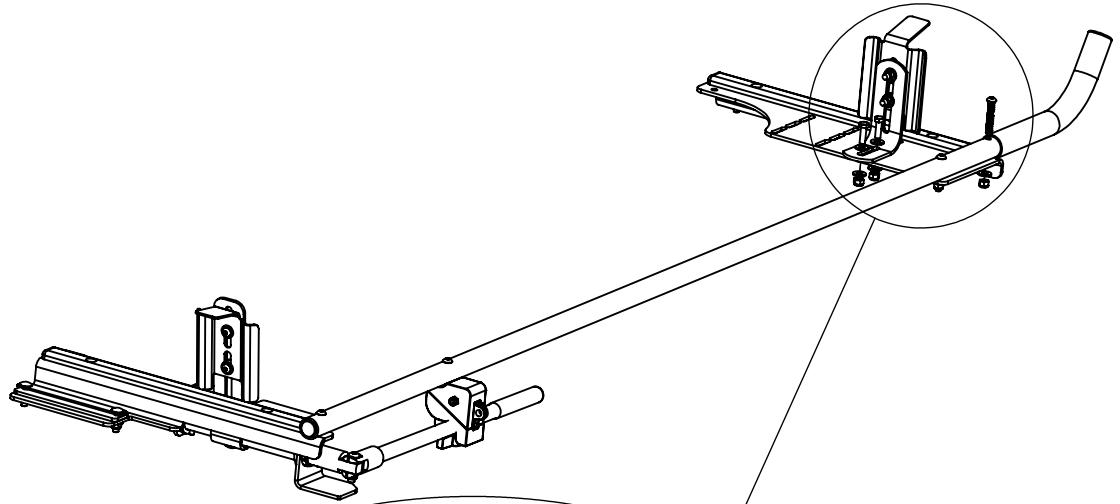


STEP 2.1

STEP 3 - ASSEMBLE FRONT STOP AND HORN

STEP 4.1
FULLY TIGHTEN
FAS0841, FAS0552,
FAS0248
3/16 ALLEN
1/2 WRENCH

STEP 4.2
FULLY TIGHTEN
FAS0597, (2)
FAS0552,
AND FAS0248
(2 PLACES)
1/2 WRENCH
1/2 SOCKET



STEP 4.1

STEP 4.2

STEP 4 - INSTALL GRIP LOCK INTO CROSSBOW

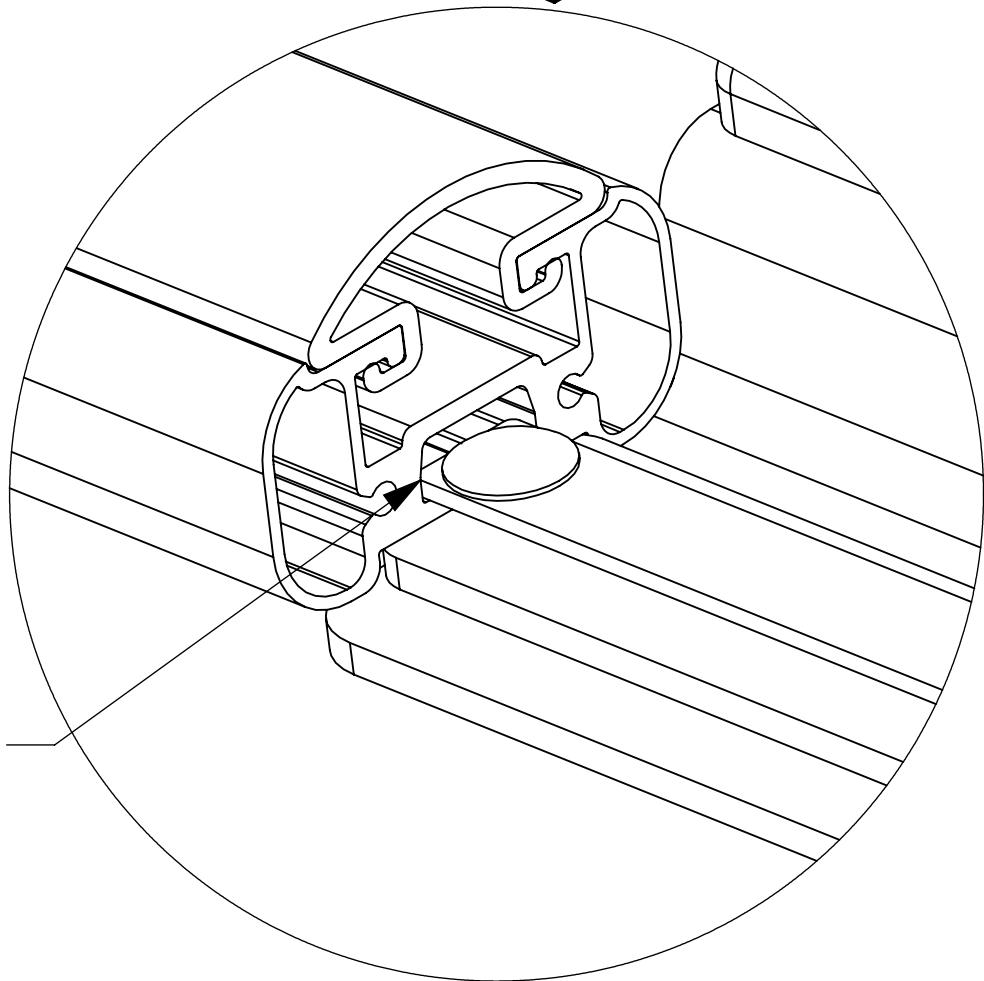
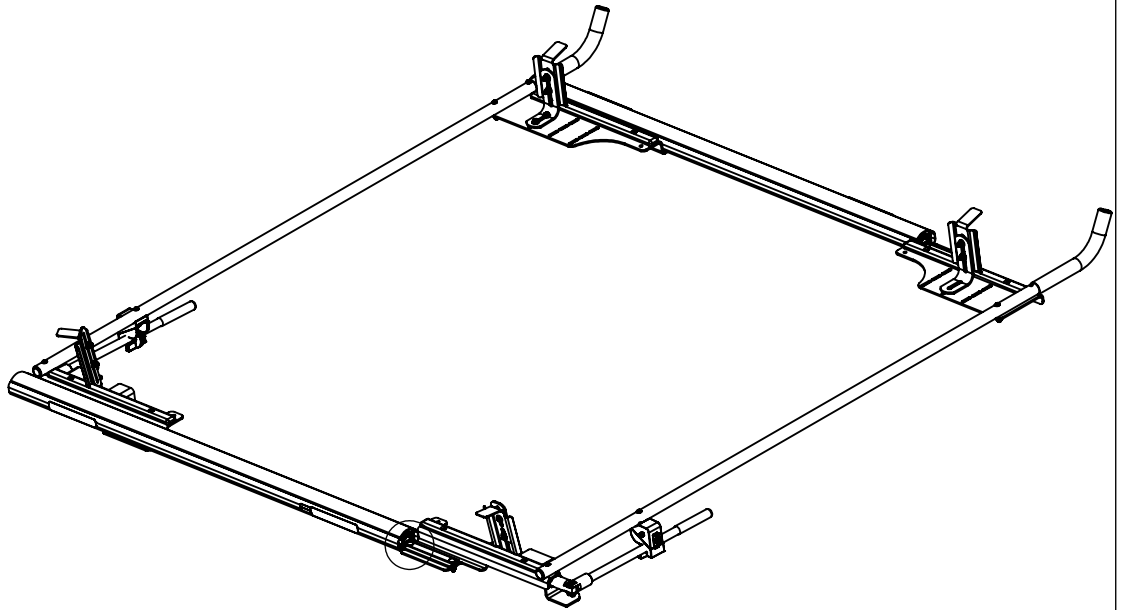
IF SHIP THRU FINAL DEALER SKIP THIS STEP. RACK IS ALREADY ON VEHICLE

STEP 5.1 **B.2**
SLIDE GRIP LOCK
INTO CROSSBOW

LEAVE FASTENERS
LOOSE FOR
ADJUSTING RACK
ONCE ON VEHICLE

STEP 5.2
INSTALL MOUNTING
FEET ONTO
CROSSBOW
(REFERENCE
MOUNTING KIT
INSTRUCTIONS)

STEP 5.3
SLIDE GRIP LOCK
OUT SO IT IS
TOUCHING
MOUNTING FEET AND
FULLY TIGHTEN
FASTENERS



Step 5.1

GRIP LOCK INSTALLATION IS COMPLETE!!!



Driver Side Grip-Lock Kit, Full Size Van



PRODUCT WEIGHT
37.7 LBS

WIDTH x DEPTH x HEIGHT

22" x 88" x 11"

CAPACITY

N/A

COLOR

WHITE/BLACK

CATALOG NUMBER

GL-FSVDS

PRODUCT FEATURES

Driver side kit PROFILE™ Grip-Lock and combo ladder racks. Works with all conduit kits.

Works on GM Express/Savana, Ford Transit Low Roof, and Nissan NV Low Roof vans. Not recommended for Medium Roof, High Roof, Ram Promaster Low Roof, or Mercedes Sprinter Low Roof vans.

Please refer to OEM specific mounting kit or rail kit for additional information on compatible accessories.

SEE PAGE 2 FOR APPLICATION NOTES AND ACCESSORIES, OTHER PRODUCTS THAT WORK WITH THIS UNIT.

PAGE 1 of 2

The information contained in this document is the sole property of ADRIAN STEEL COMPANY. ADRIAN STEEL COMPANY retains the right to modify and/or change the product of its design at any time without prior notification.



CATALOG NUMBER GL-FSVDS

PRODUCT APPLICATION

Driver side kit PROFILE™ Grip-Lock and combo ladder racks. Works with all conduit kits. Works on GM Express/Savana, Ford Transit Low Roof, and Nissan NV Low Roof vans. Not recommended for Medium Roof, High Roof, Ram Promaster Low Roof, or Mercedes Sprinter Low Roof vans.

ACCESSORIES THAT WILL WORK WITH THIS PRODUCT

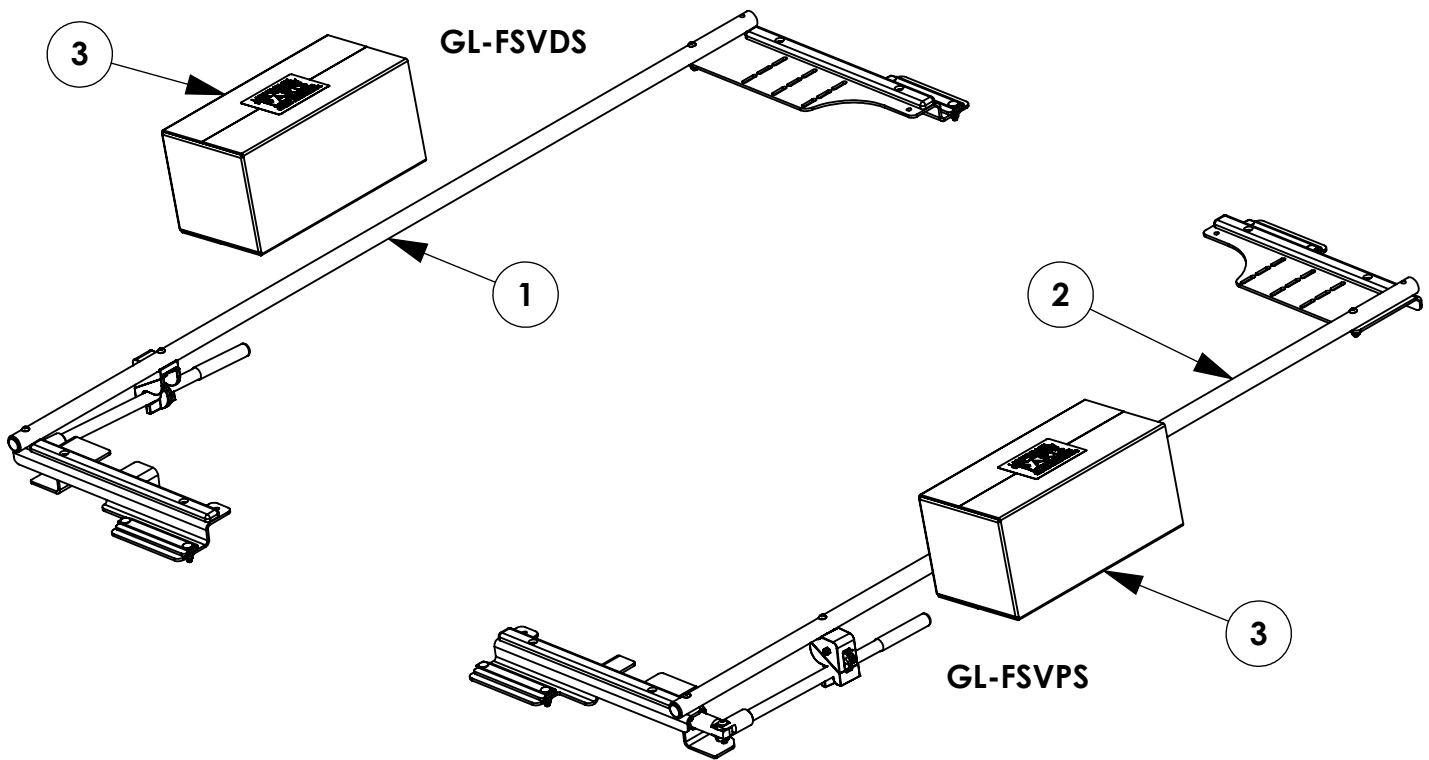
CATALOG NUMBER	DESCRIPTION
2BARW	2-Crossbar Kit, 68”, White, Full Size Van
2BARCW	2-Crossbar Kit, 58”, White, Minivan
1BARW	Single Crossbar Kit, 68”, White, Full Size Van
1BARCW	Single Crossbar Kit, 58”, White, Minivan

INSTR. NUMBER : 70691	PG: 1	REV: B	ITEM NO.	PART NUMBER	DESCRIPTION	GL-FSVDS	GL-FSVPS
PART NUMBER • GL-FSVDS PART NUMBER • GL-FSVPS			1	69445	GRIP LOCK FSV, ASM DS	1	-
			2	69444	GRIP LOCK FSV, ASM PS	-	1
PART • GL FULL SIZE VEHICLE DS DESC. • GL FULL SIZE VEHICLE PS			3	66373	GRIP LOCK BRKTS & HORN	1	1

NOTE: THIS INSTRUCTION IS VALID FOR THE FOLLOWING KITS:

- GL-FSVDS
- GL-FSVPS
- GL-FSVPSB
- GL-FSVDSB

NOTE: 66357, 69444, & 69445 ARE AVAILABLE IN BLACK VARIANTS - FOR THEIR IDENTIFICATION, ADD THE "-B" SUFFIX TO THE END OF THE PART NUMBER



****IF BUILDING A DUAL SIDED RACK BUILD BOTH SIDES IN PARALLEL FOR EACH STEP. IF BUILDING SINGLE SIDED REFERENCE ONLY THAT SIDE WHEN BUILDING.****

TOOLS NEEDED:
 1/2" SOCKET
 1/2" WRENCH
 9/16" SOCKET
 3/16" ALLEN WRENCH
 DRIVE RATCHET
 IMPACT DRIVER

GET TO KNOW THE VEHICLE - AT THE BEGINNING OF ANY INSTALLATION, CHECK THE LOCATION OF THE FUEL TANK, FUEL LINES, BRAKE LINES, HIGH VOLTAGE BATTERIES AND WIRING HARNESSSES TO AVOID INJURY OR PROPERTY DAMAGE FROM TOOL CONTACT.

SEAL ALL EXTERIOR HOLES - ALL INSTALLATION HOLES SHOULD BE SEALED WITH BUTYL TAPE OR SILICON TO PREVENT WATER AND EXHAUST GASES FROM ENTERING THE VEHICLE.

CONTROL DRILL DEPTH - TO AVOID DAMAGE TO THE VEHICLE, USE A DRILL STOP OR CLEARED STEP BIT WHEN DRILLING INSTALLATION HOLES.

ALWAYS ADD PRIMER - WHEN ADDING INSTALLATION HOLES BE SURE TO USE A SELF-ETCHING PRIMER TO PREVENT CORROSION, FASTENER FAILURE AND INJURY.

MOUNTING POINTS MUST HAVE METAL-TO-METAL CONTACT - USE PROVIDED MOUNTING SPACERS TO ACCOMMODATE FOR VEHICLE FEATURES, CARPET OR SUBFLOORS.

PROVIDE CLEARANCE FOR SPACERS - IF THE INSTALLATION VEHICLE CONTAINS A CARPET OR SUBFLOOR, USE A 1-3/16" DIAMETER CARPET CUTTER (P/N: 31183-0) AT ALL MOUNTING LOCATIONS TO OPEN UP ROOM FOR SPACERS.

CHECK SPACER ORIENTATION - BE SURE THAT THE INDENT IN THE SPACER COVERS THE PLUSNUT HEAD; THIS ENSURES THE MOST METAL-TO-METAL CONTACT AND REDUCES VIBRATION.

PLUSNUT INSTALLATION - A PLUSNUT GUN IS RECOMMENDED FOR PLUSNUT INSTALLATION FOR ITS PRODUCTION SPEED. HOWEVER, A PLUSNUT SETTING TOOL CAN ALSO BE USED (P/N: 22200-0).

THRU-BOLT CLEARANCE - WHEN USING A THRU-BOLT AT ANY MOUNTING LOCATION, BE SURE THAT YOUR HOLE HAS 1/16" CLEARANCE.

PAGE:

3

***FASTENERS USED
BAG REFERENCE:***

**NO FASTENER BAG
ALL FASTENERS INCLUDED IN ASSEMBLY**

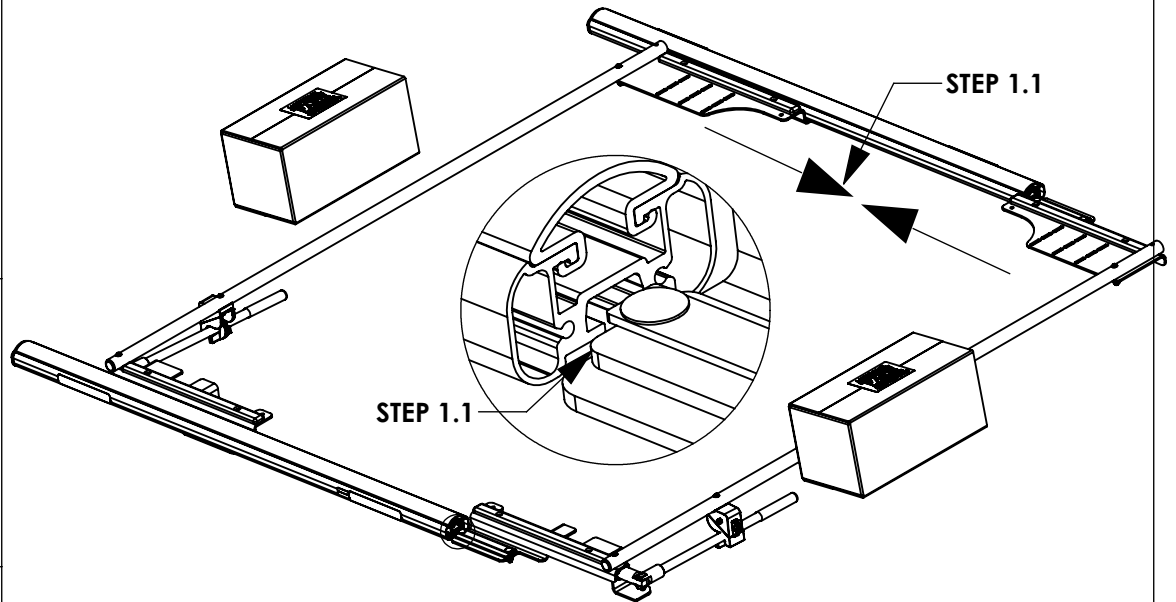
STEP 1 - INSTALL GRIP LOCK FOR SHIP THRU

STEP 1.1
SLIDE GRIP LOCK
INTO CROSSBOW

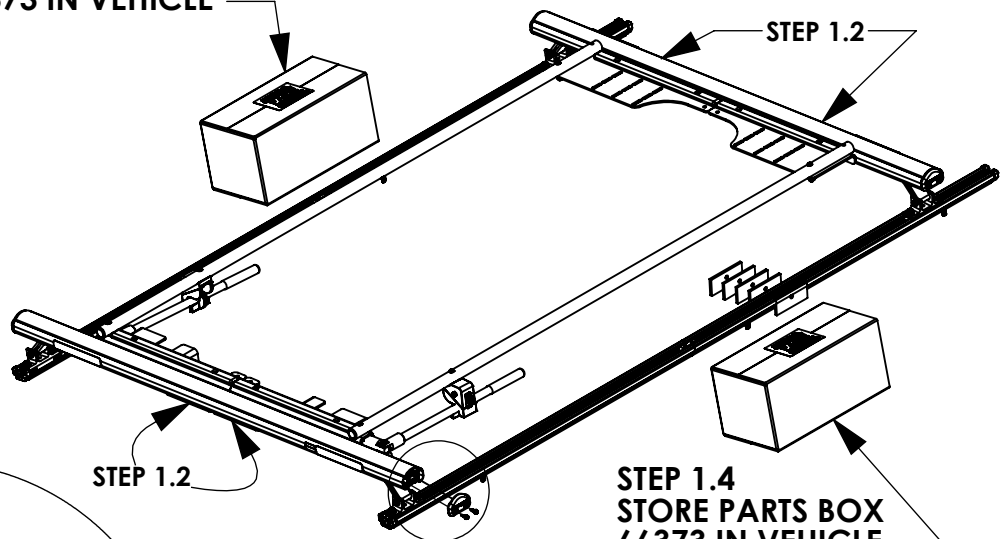
STEP 1.2
SLIDE RACKS ALL
THE WAY TO CENTER
OF CROSSBOW AND
FULLY TIGHTEN FOR
SHIP THRU
TRANSPORTATION
1/2" SOCKET

STEP 1.3
FULLY TIGHTEN
END CAPS
FAS0473, 63851
(02 PLACES PER END
CAP)
5/16" SOCKET

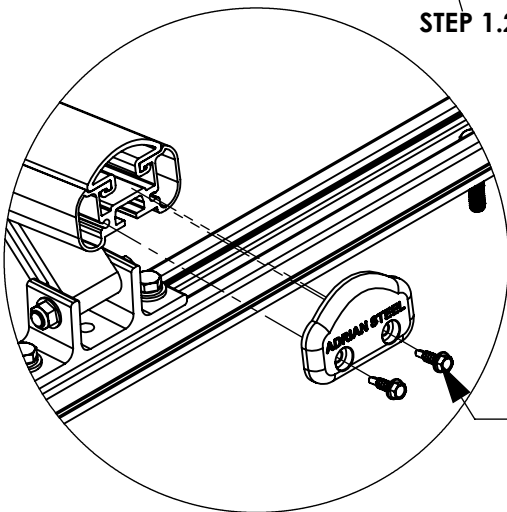
STEP 1.4
STORE PARTS BOX
66373 IN VEHICLE
FOR FINAL INSTALL
(1 BOX FOR SINGLE,
2 BOXES FOR
DOUBLE)



STEP 1.4
STORE PARTS BOX
66373 IN VEHICLE



STEP 1.4
STORE PARTS BOX
66373 IN VEHICLE

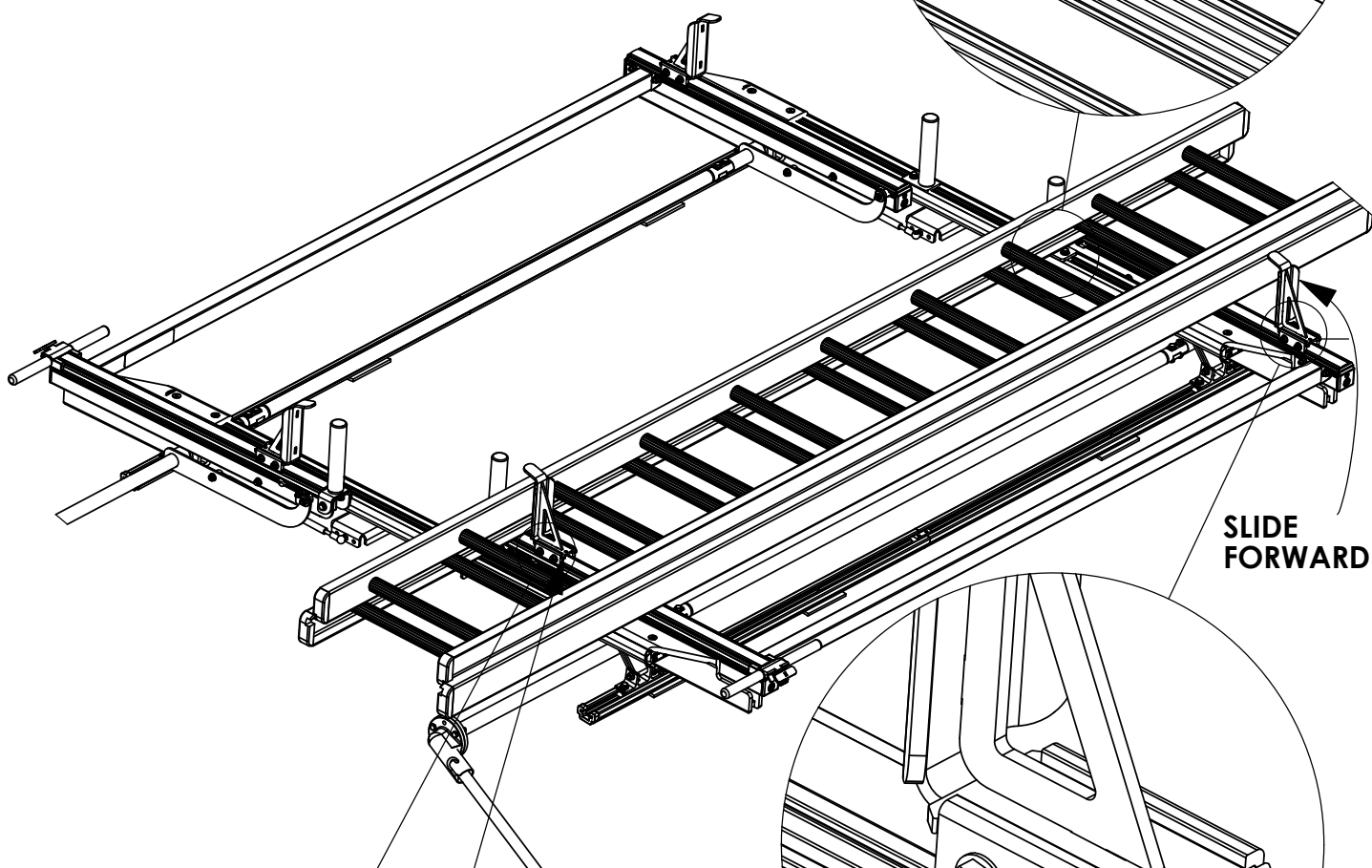
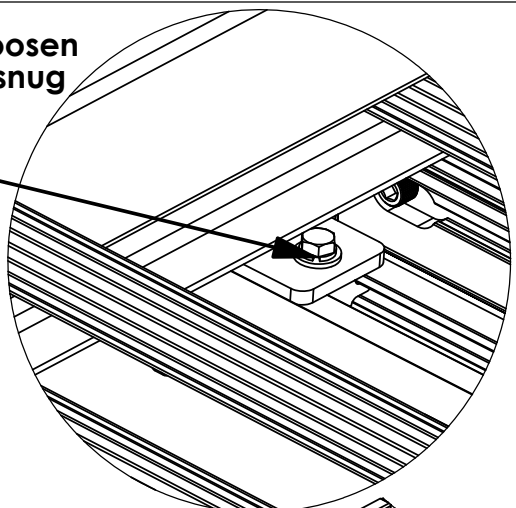


STEP 1.3

CHECK THAT ALL FASTENERS ARE TIGHTENED!!! INSTALLATION IS COMPLETE

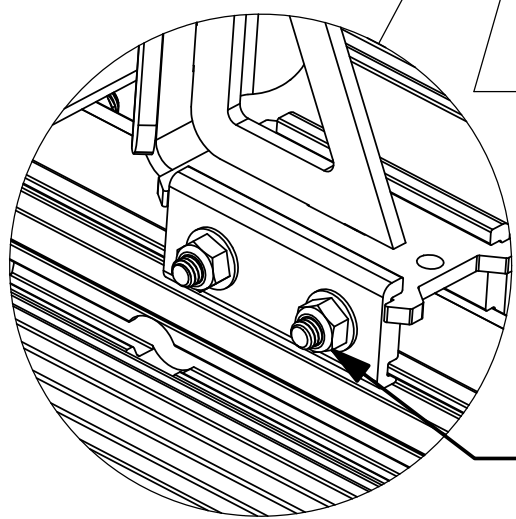
INSTR. NUMBER : 69483	PG: 1	REV: A
PART NUMBER • Max Drop ProLift - Low & Mid-Roof		
PART • ProLift Low & Mid-Roof DESC. • Adjustment Instructions		

**Step 2: With 1/2" Socket loosen nut, slide post so that it is snug against ladder
Tighten nut**

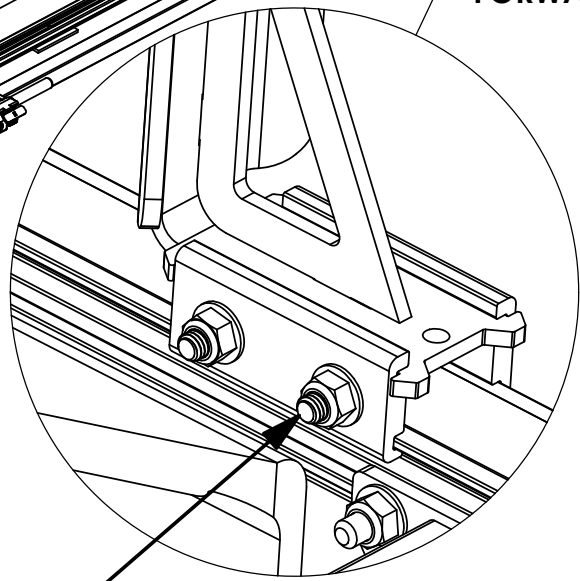


SLIDE FORWARD

SLIDE FORWARD



**Step 1: With 1/2" Socket loosen nuts (x2) slide clamp so that it is snug against ladder
Tighten nuts (X2)**

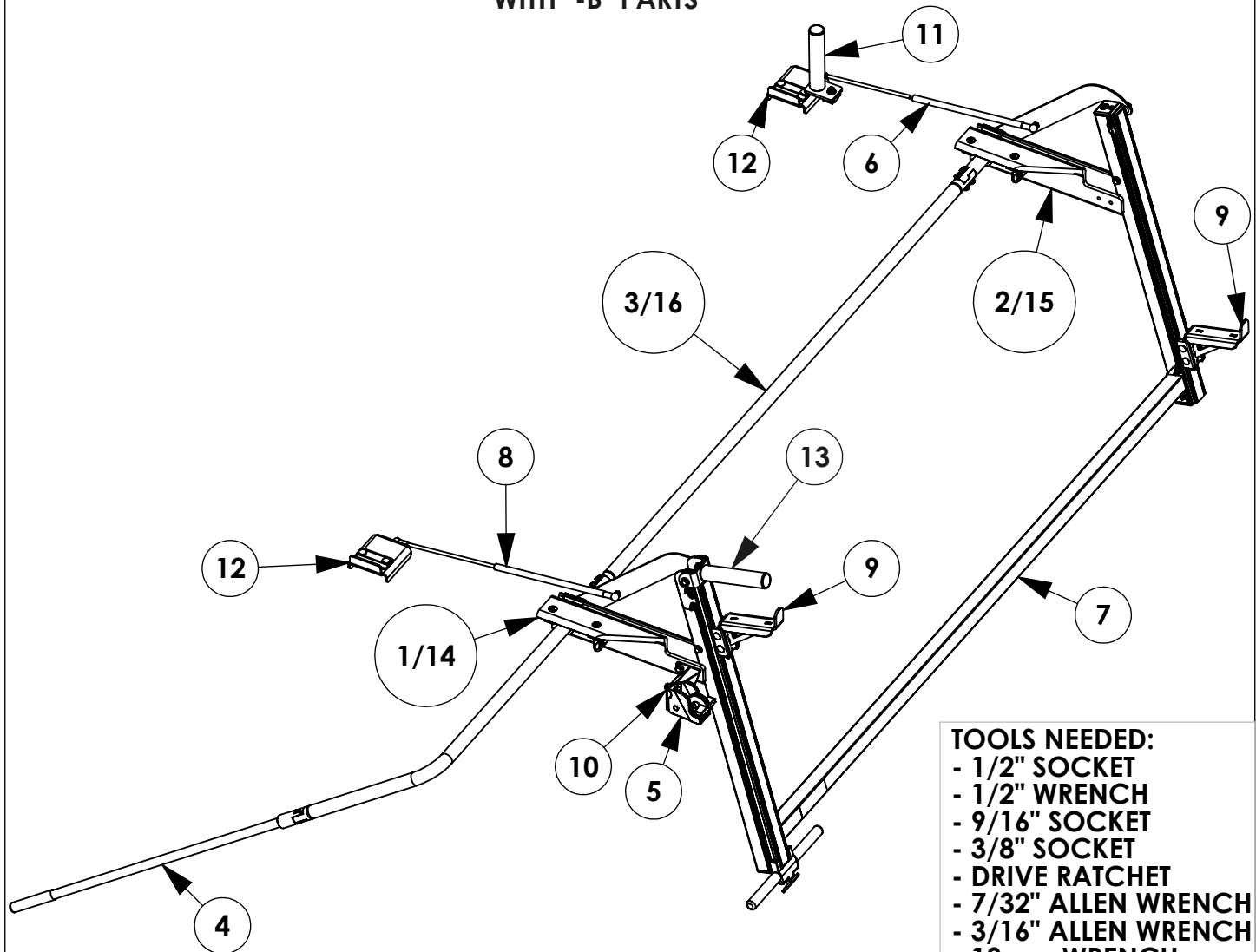


**Step 3: With 1/2" Socket loosen nuts (x2) slide clamp so that it is snug against outside of ladder
Tighten nuts (X2)**

Once all brackets are adjusted operate rack to make sure clamps are not too tight

INSTR. NUMBER	PG:	REV:	ITEM NO.	PART NUMBER	DESCRIPTION	PLMDPSLW	PLMDDSLW
: 68495	1	C	1/14	68029-W	MAX DROP ARM ASM,LR,PS,W	1	-
			2/15	68031-W	DROP DOWN FRONT ARM ASSM PS, WHITE	1	-
PART NUMBER : PLMDPSL & PLMDDSL			3/16	66572-B	DROP DOWN, CS CENTER DRIVELINE, BLK	1	-
			4	66611-B	DROP DOWN, PIVOT HANDLE, BLK	1	1
PART • PROLIFT,MAX,PS,LR DESC. • & PROLIFT,MAX,DS,LR			5	25340-0	HANDLE LATCH-STD	1	1
			6	48265	DAMPER ASSEMBLY	1	1
			7	66959-W	DROP DOWN OUTER BAR, WELDMENT, WHITE	1	1
			8	58239	COMPRESSION DAMPER	1	1
			9	68037-B	CLAMP PAD, 6.5", BLACK	2	2
			10	68180-W	DROP DOWN LATCH BRACKET, WHITE	1	1
			11	68186-W	PROLIFT INNER POST, WHITE	1	2
			12	68045-W	PROLIFT DAMPER MOUNT, WHITE	2	2
			13	68196-W	PROLIFT MAX DROP STOP, WHITE	1	1
			14	68012-W	MAX DROP ARM ASM,LR,DS, WHITE	-	1
			15	68013-W	DROP DOWN FRONT ARM ASM DS, WHITE	-	1
			16	66563-B	DROP DOWN, SS CENTER DRIVELINE, BLK	-	1

- PART NUMBERS WITH "-W" SUFFIX ARE PAINTED WHITE
- FOR BLACK MOUNTING KITS, REPLACE "-W" PARTS WITH "-B" PARTS



- TOOLS NEEDED:**
- 1/2" SOCKET
 - 1/2" WRENCH
 - 9/16" SOCKET
 - 3/8" SOCKET
 - DRIVE RATCHET
 - 7/32" ALLEN WRENCH
 - 3/16" ALLEN WRENCH
 - 13mm WRENCH
 - TAPE MEASURE
 - RUBBER Mallet
 - IMPACT DRIVER

****IF BUILDING A DUAL SIDED RACK BUILD BOTH SIDES IN PARALLEL FOR EACH STEP. IF BUILDING SINGLE SIDED REFERENCE ONLY THAT SIDE WHEN BUILDING.****

GET TO KNOW THE VEHICLE - AT THE BEGINNING OF ANY INSTALLATION, CHECK THE LOCATION OF THE FUEL TANK, FUEL LINES, BRAKE LINES, HIGH VOLTAGE BATTERIES AND WIRING HARNESSSES TO AVOID INJURY OR PROPERTY DAMAGE FROM TOOL CONTACT.

SEAL ALL EXTERIOR HOLES - ALL INSTALLATION HOLES SHOULD BE SEALED WITH BUTYL TAPE OR SILICON TO PREVENT WATER AND EXHAUST GASES FROM ENTERING THE VEHICLE.

CONTROL DRILL DEPTH - TO AVOID DAMAGE TO THE VEHICLE, USE A DRILL STOP OR CLEARED STEP BIT WHEN DRILLING INSTALLATION HOLES.

ALWAYS ADD PRIMER - WHEN ADDING INSTALLATION HOLES BE SURE TO USE A SELF-ETCHING PRIMER TO PREVENT CORROSION, FASTENER FAILURE AND INJURY.

MOUNTING POINTS MUST HAVE METAL-TO-METAL CONTACT - USE PROVIDED MOUNTING SPACERS TO ACCOMMODATE FOR VEHICLE FEATURES, CARPET OR SUBFLOORS.

PROVIDE CLEARANCE FOR SPACERS - IF THE INSTALLATION VEHICLE CONTAINS A CARPET OR SUBFLOOR, USE A 1-3/16" DIAMETER CARPET CUTTER (P/N: 31183-0) AT ALL MOUNTING LOCATIONS TO OPEN UP ROOM FOR SPACERS.

CHECK SPACER ORIENTATION - BE SURE THAT THE INDENT IN THE SPACER COVERS THE PLUSNUT HEAD; THIS ENSURES THE MOST METAL-TO-METAL CONTACT AND REDUCES VIBRATION.

PLUSNUT INSTALLATION - A PLUSNUT GUN IS RECOMMENDED FOR PLUSNUT INSTALLATION FOR ITS PRODUCTION SPEED. HOWEVER, A PLUSNUT SETTING TOOL CAN ALSO BE USED (P/N: 22200-0).

THRU-BOLT CLEARANCE - WHEN USING A THRU-BOLT AT ANY MOUNTING LOCATION, BE SURE THAT YOUR HOLE HAS 1/16" CLEARANCE.

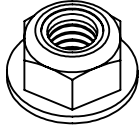
BEST PRACTICE: ORGANIZE ALL FASTENERS & VERIFY THAT ALL ARE ACCOUNTED FOR

PAGE:

3

FASTENERS AND HARDWARE USED

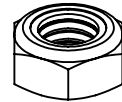
BAG REFERENCE: BAG68200 & BAG68201



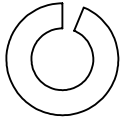
FAS0861
NUT,HEX NLK FLG 5/16-18
QTY: 20



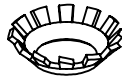
FAS0110
NUT,HEX NLK 3/8-16
QTY: 01



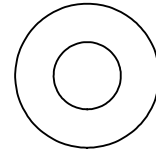
FAS0399
NUT,HEX NLK LT 3/8-16
QTY: 01



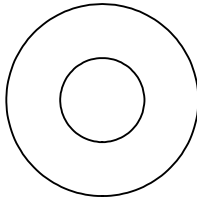
FAS0588
WASHER,LCK SPLIT 5/16
QTY: 03



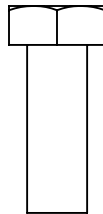
FAS0857
WASHER,LCK EXT CS 5/16
QTY: 04



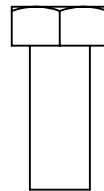
FAS0552
WASHER,FLAT USS 5/16
QTY: 09



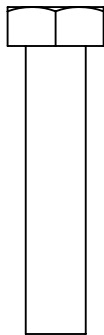
FAS0720
WASHER,FLAT USS 3/8
QTY: 01



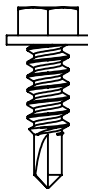
FAS0283
SCREW,HH 5/16-18X.875
QTY: 03



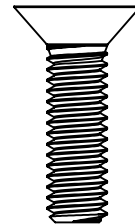
FAS0799
SCREW,HH 5/16-18X.75
QTY: 02



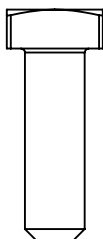
FAS0242
SCREW,HH 5/16-18X1.5
QTY: 04



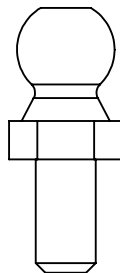
FAS0473
SCREW,HH TEK #12X.75
QTY: 04



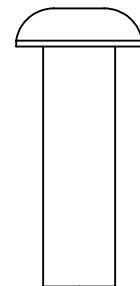
FAS0856
SCREW,FHH 5/16-18X1.13
QTY: 04



FAS0035
BOLT,SQ HD 5/16-18X1.0
QTY: 04



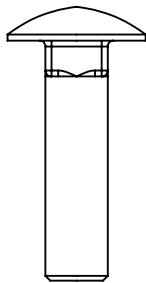
34927-0
BALL STUD 13MM X 5/16-18
QTY: 02



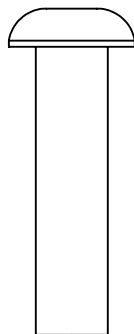
FAS0701
SCREW,BHCS 3/8-16X1.25
QTY: 01

INTENTIONALLY LEFT BLANK

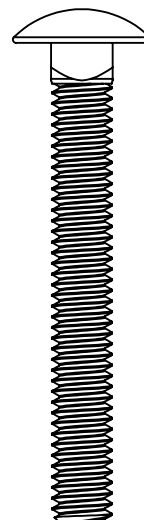
FASTENERS AND HARDWARE USED



FAS0812
BOLT,CRG 5/16-18X1.25
QTY: 04



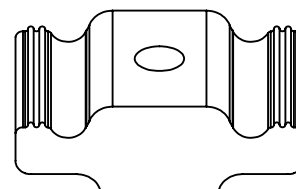
FAS0819
SCREW,BHCS 3/8-16X1.5
QTY: 01



FAS0838
BOLT,CRG 5/16-18X2.5
QTY: 04



64831
REAR ROLLER, SPACER
QTY: 02



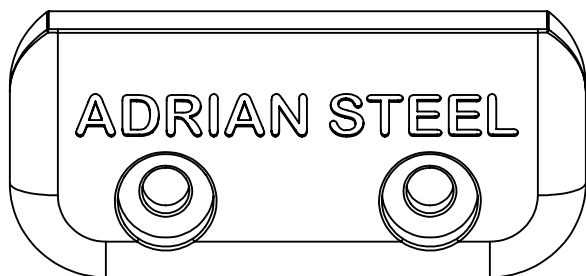
63490
RAIL SLIDE, 1"
QTY: 05



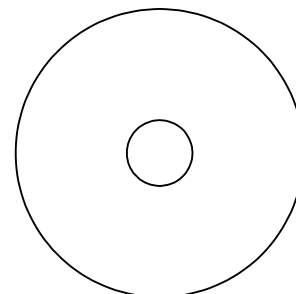
64830
REAR ROLLER, BOLT PLATE
QTY: 02



34928-0
CLIP, SPRING, RETAINER, 13MM
QTY: 04



65961
DROP DOWN END CAP
QTY: 02



DISCARD FAS0603
SCREW,HH 5/16-18X.875
QTY: 01

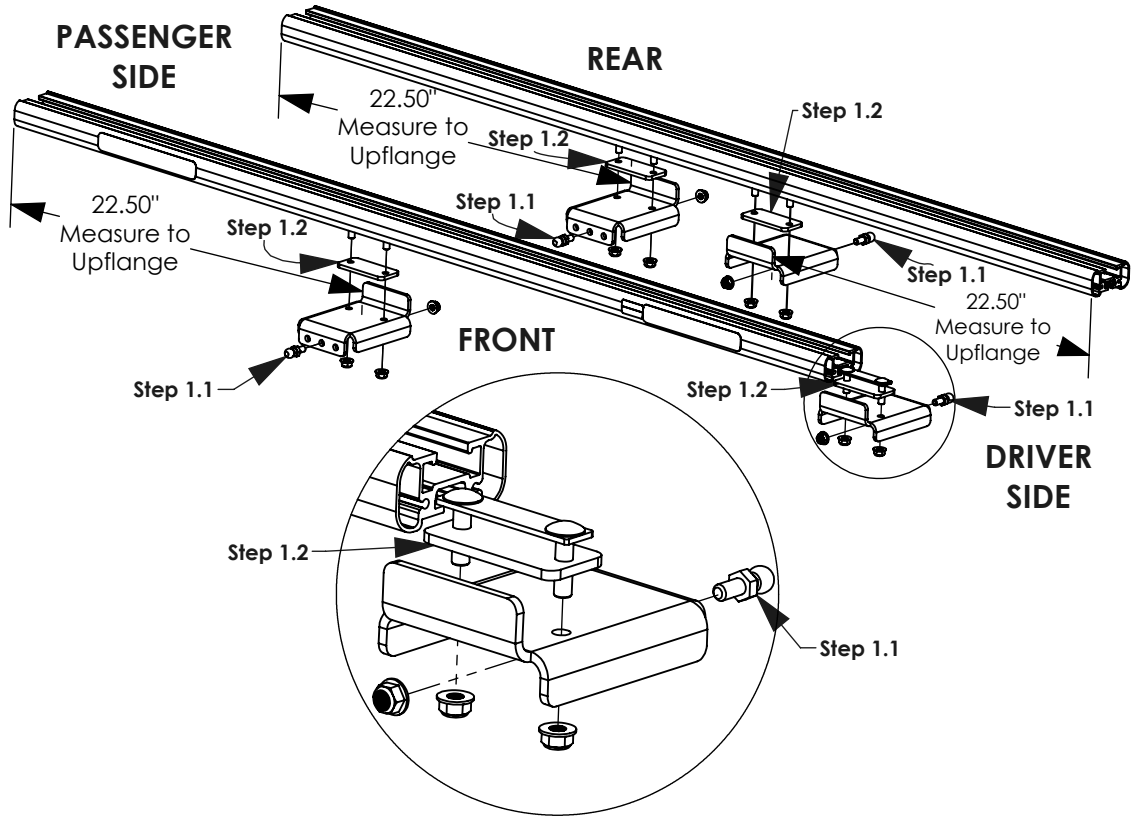
INTENTIONALLY LEFT BLANK

STEP 1 - MOUNT DAMPER BRACKETS

Step 1.1
FULLY TIGHTEN
34927-0 & FAS0861
(02 PLACES PER
SIDE)
13mm WRENCH
1/2" SOCKET

A.2

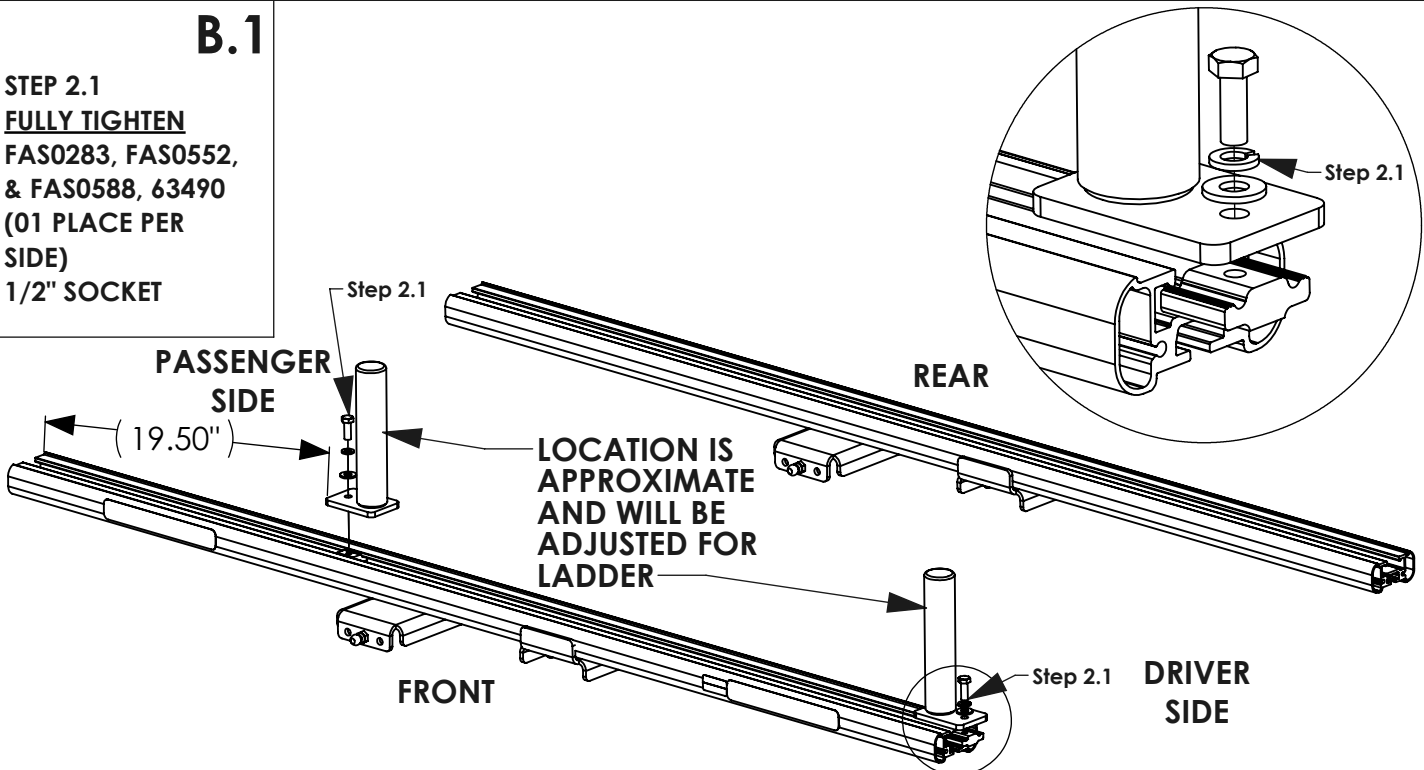
STEP 1.2
FULLY TIGHTEN
(02) FAS0812,
64830, 64831, &
(02) FAS0861
(02 PLACES PER
SIDE)
1/2" SOCKET



STEP 2 - MOUNT INNER STOPS TO FRONT CROSSBOW

B.1

STEP 2.1
FULLY TIGHTEN
FAS0283, FAS0552,
& FAS0588, 63490
(01 PLACE PER
SIDE)
1/2" SOCKET



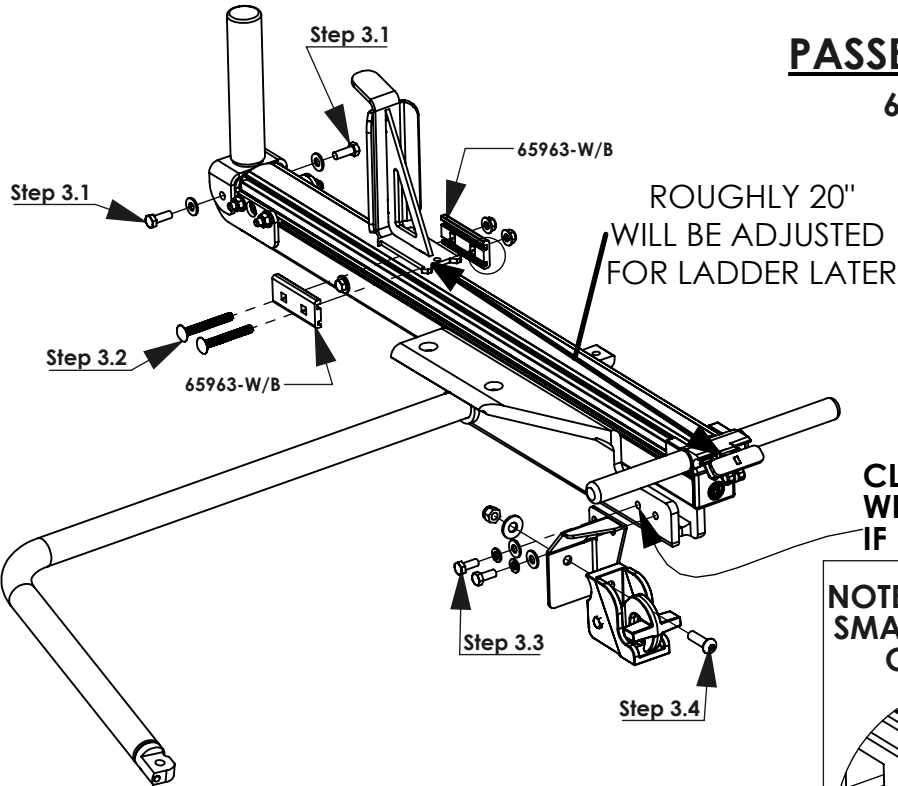
STEP 3 - INSTALL CLAMPS AND HARDWARE ON DROP DOWN CARTRIDGES

REAR SUB-ASSEMBLY

PASSENGER SIDE

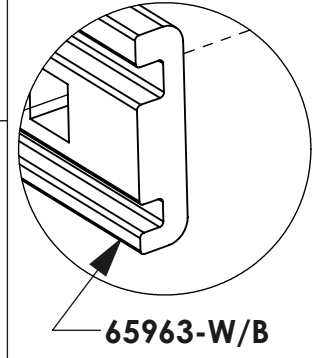
68029-W/B

STEP 3.1
FULLY TIGHTEN
FAS0283, FAS0552,
& FAS0861
(02 PLACES)
1/2" WRENCH
1/2" SOCKET



CLEAN OUT HOLES
WITH 5/16-18 TAP
IF NECESSARY

NOTE ORIENTATION:
SMALLER CHANNEL
ON BOTTOM

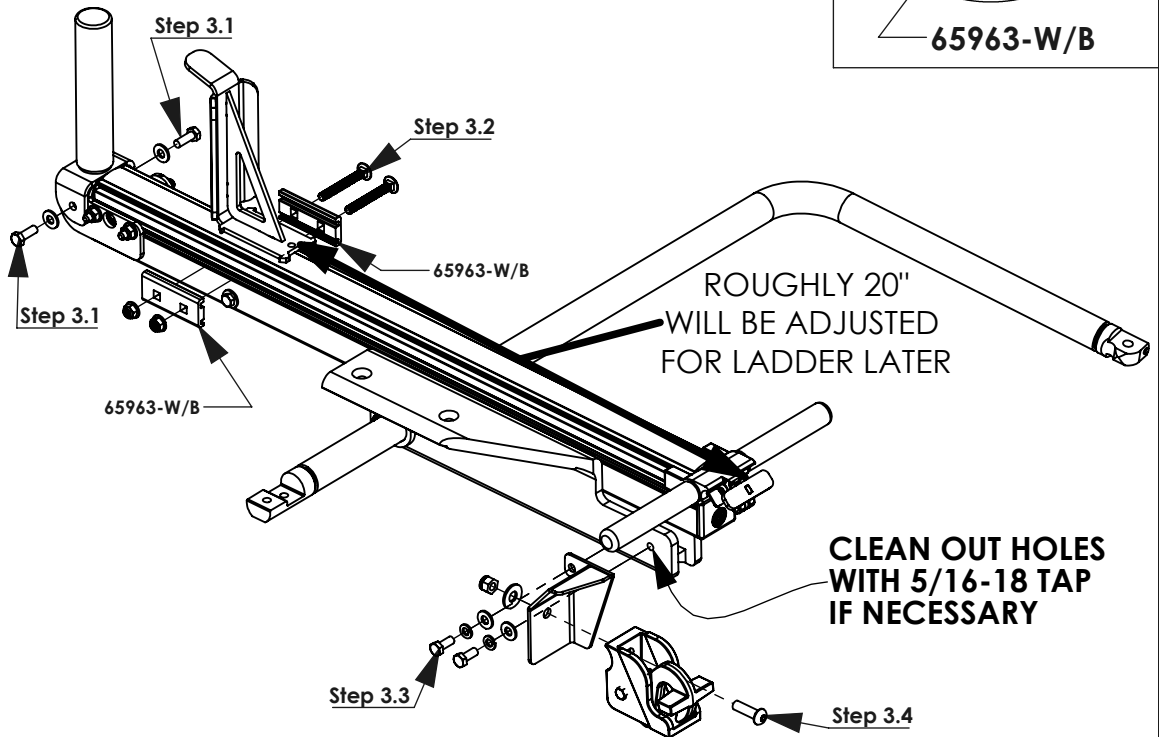


STEP 3.2
FULLY TIGHTEN
FAS0838 &
FAS0861
(02 PLACES)
1/2" SOCKET

DRIVER SIDE

68012-W/B

STEP 3.3
FULLY TIGHTEN
FAS0799,
FAS0552, &
FAS0588
(02 PLACES)
1/2" SOCKET



CLEAN OUT HOLES
WITH 5/16-18 TAP
IF NECESSARY

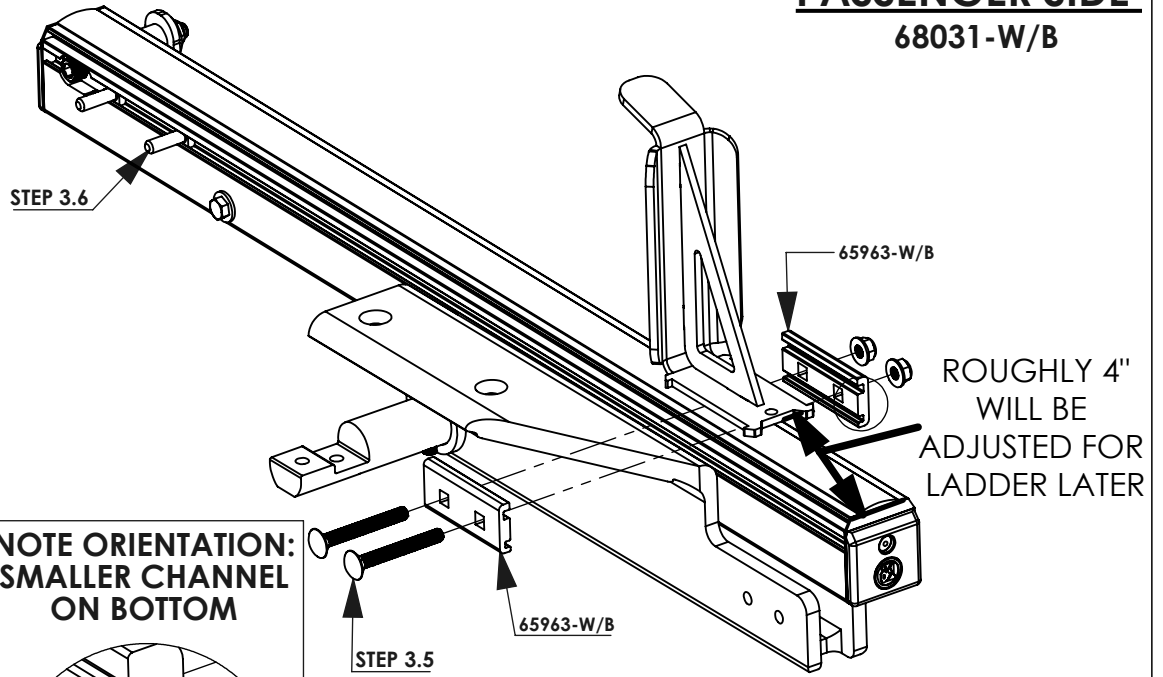
STEP 3.4
FULLY TIGHTEN
FAS0701, FAS0720,
& FAS0110
(01 PLACE)
7/32" ALLEN
9/16" SOCKET

FRONT SUB-ASSEMBLY

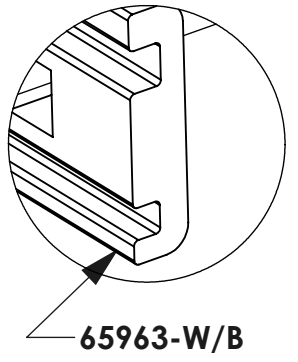
PASSENGER SIDE

68031-W/B

STEP 3.5
FULLY TIGHTEN
FAS0838 &
FAS0861
(02 PLACES)
1/2" SOCKET



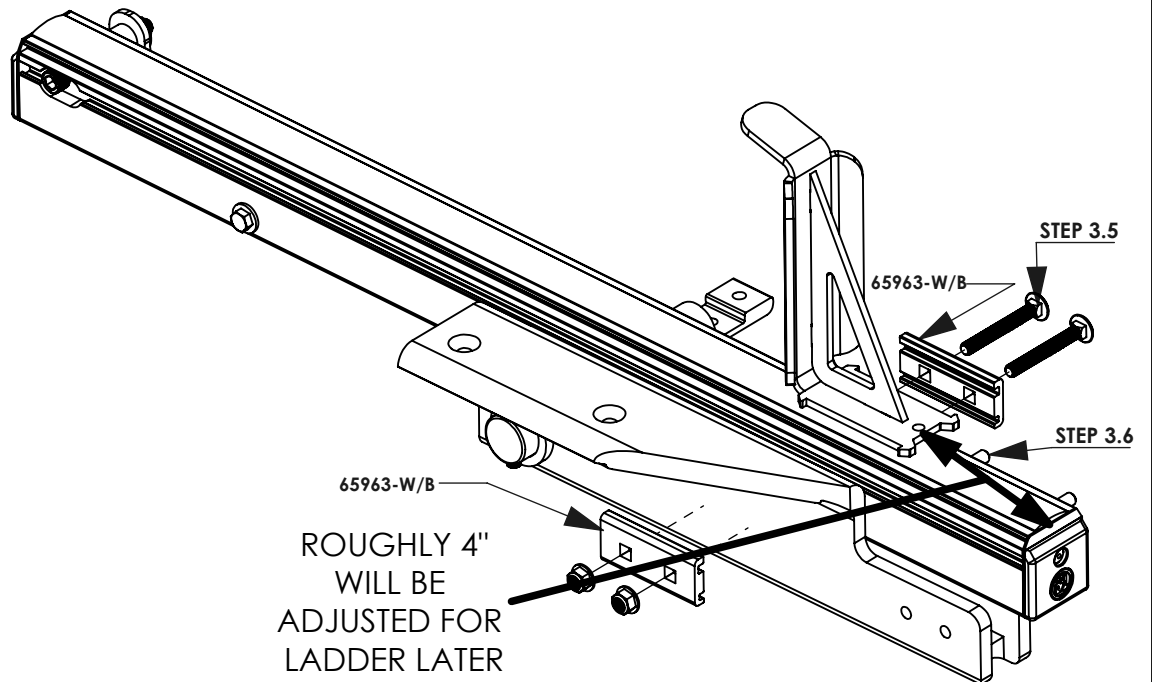
NOTE ORIENTATION:
SMALLER CHANNEL
ON BOTTOM



DRIVER SIDE

68013-W/B

STEP 3.6
FAS0035
SLIDE INTO SLOT
(02 PLACES)

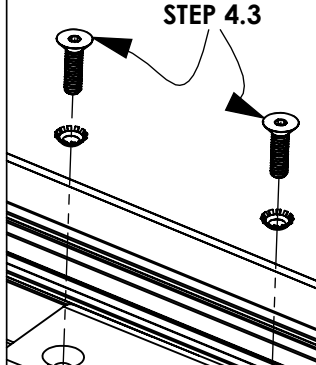




REFERENCE INSTALLATION GUIDE 68895 TABLES 1-3 INSTALLATION OF A.1, A.2, B.1, & B.2 SHOULD BE COMPLETE BEFORE PROCEEDING TO STEP 4

STEP 4 - INSTALL CARTRIDGES ON CROSSBOWS

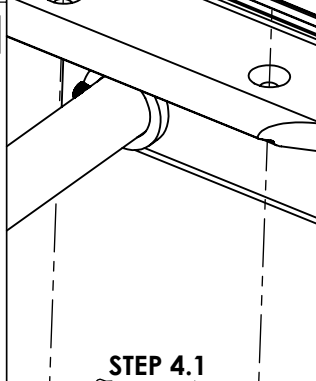
STEP 4.1
SLIDE 63490 INTO
END OF
CROSSBOWS



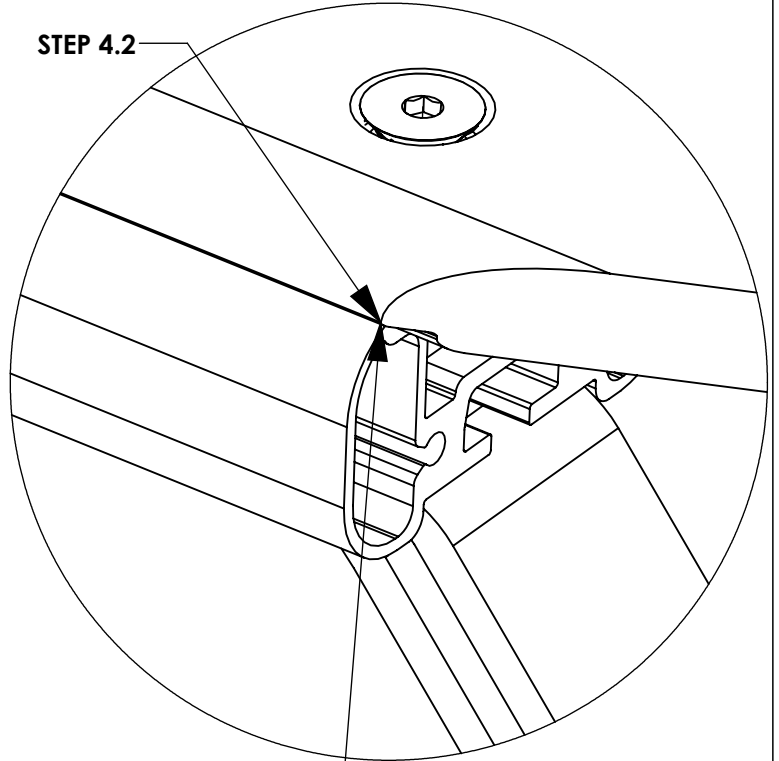
STEP 4.3

STEP 4.2
LINE UP CORNERS
WITH END OF
CROSSBOW

C.1

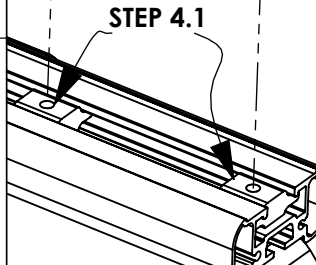


STEP 4.2

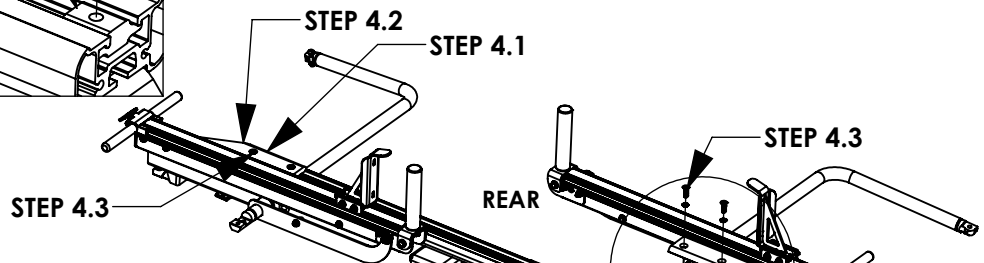


LINE UP CORNERS!!

STEP 4.3
FULLY TIGHTEN
(02) FAS0856,
(02) FAS0857, &
(02) 63490
(02 PLACES PER
SIDE)
3/16" ALLEN



STEP 4.1



STEP 4.2

STEP 4.1

STEP 4.3

REAR

DRIVELINE WILL BE
UNDER CROSSBOW

STEP 4.2

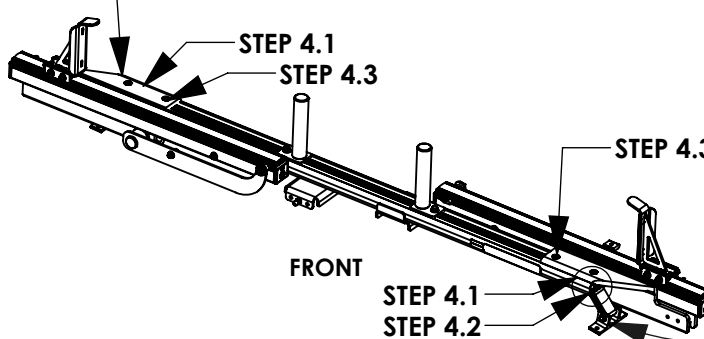
STEP 4.1

PASSENGER
SIDE

STEP 4.2

STEP 4.1

STEP 4.3



STEP 4.3

DRIVER
SIDE

FRONT

STEP 4.1

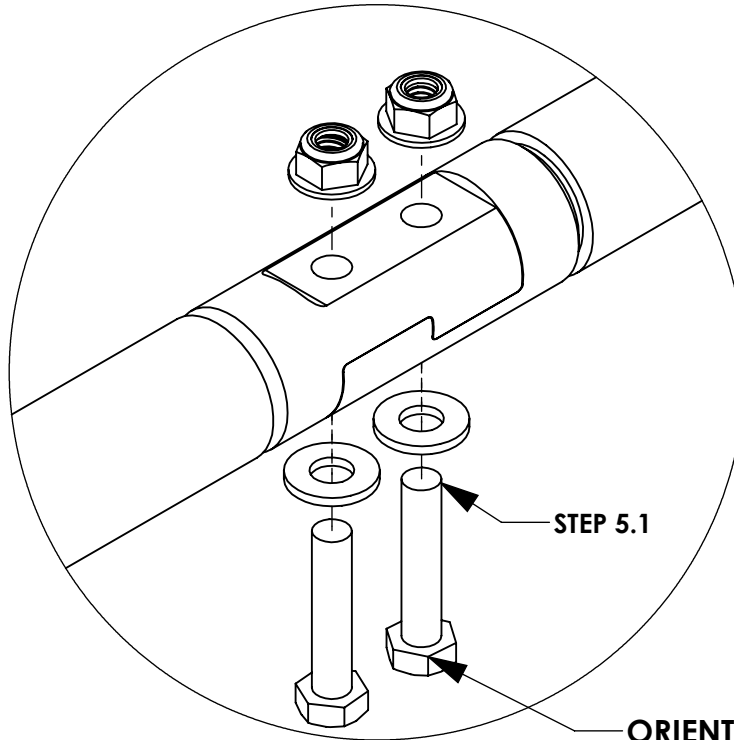
STEP 4.2

UNIVERSAL MOUNTING
KIT SHOWN
FOR REFERENCE

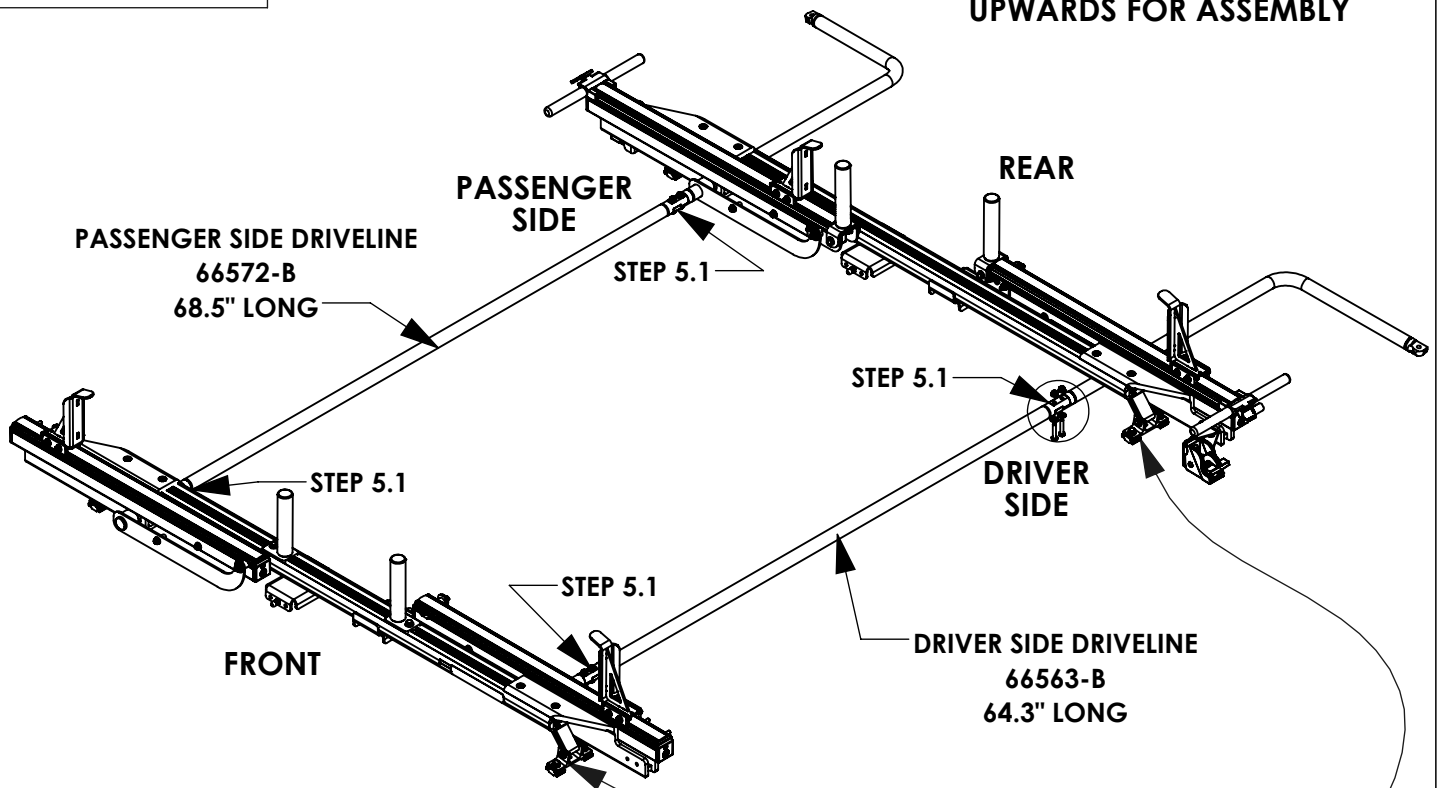
STEP 5 - INSTALL DRIVELINE

STEP 5.1
FULLY TIGHTEN
FAS0242, FAS0552
& FAS0861
(04 PLACES PER
SIDE)
1/2" WRENCH
1/2" SOCKET

BEST PRACTICE:
WHEN INSTALLING
BOLTS OPEN RACK
ROUGHLY 45
DEGREES FOR
EASIER ACCESS &
INSTALLATION



ORIENTATION OF BOLTS IS
UPWARDS FOR ASSEMBLY



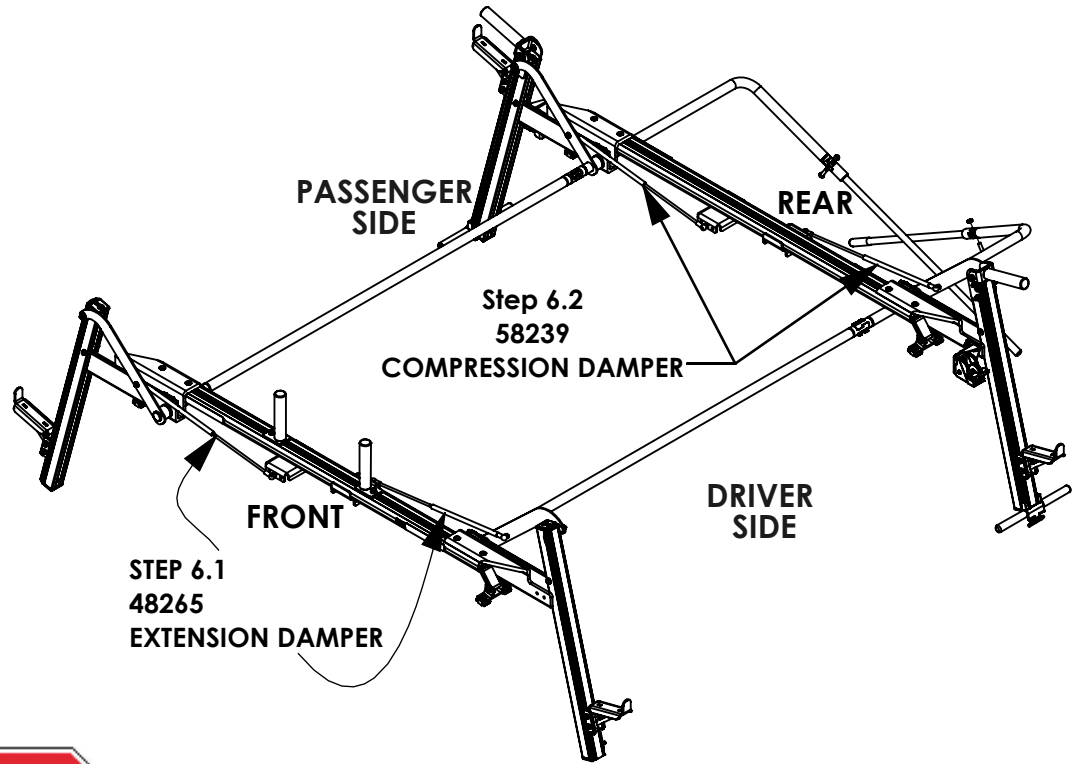
UNIVERSAL MOUNTING
KIT SHOWN
FOR REFERENCE

STEP 6 - DEPLOY RACK & INSTALL DAMPERS AND DROP DOWN HANDLE

Step 6.1
 ATTACH EXTENSION
 DAMPERS (48265) TO
 BALL STUDS.
ORIENTATION OF
 DAMPER MATTERS!!!
 (01 PLACE PER SIDE)

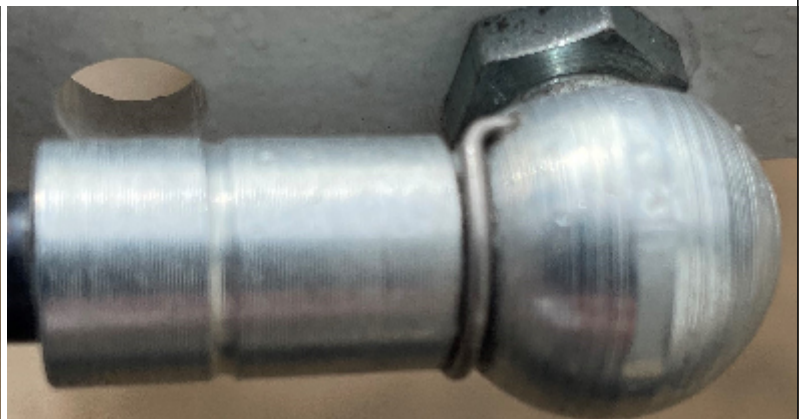
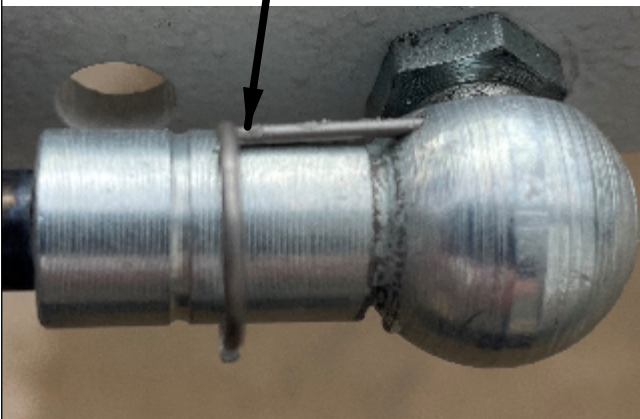
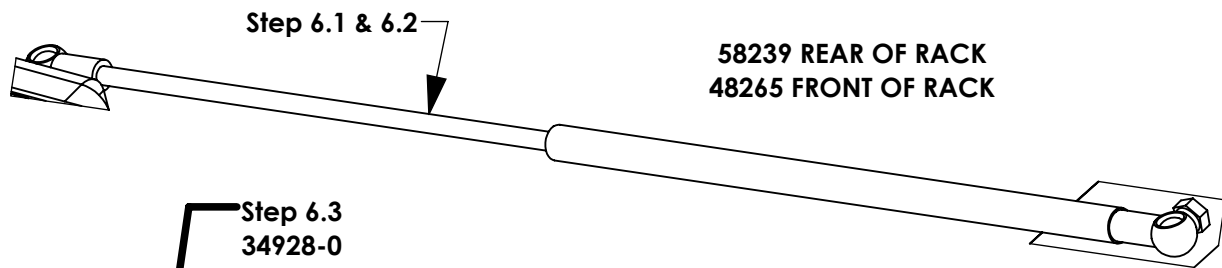
Step 6.2
 ATTACH
 COMPRESSION
 DAMPERS (58239) TO
 BALL STUDS.
ORIENTATION OF
 DAMPER MATTERS!!!
 (01 PLACE PER SIDE)

Step 6.3
 INSERT LOCKING
 PINS (34928-0)
 AFTER MOUNTING
 DAMPERS TO BALL
 STUDS
 (04 PLACES PER SIDE)



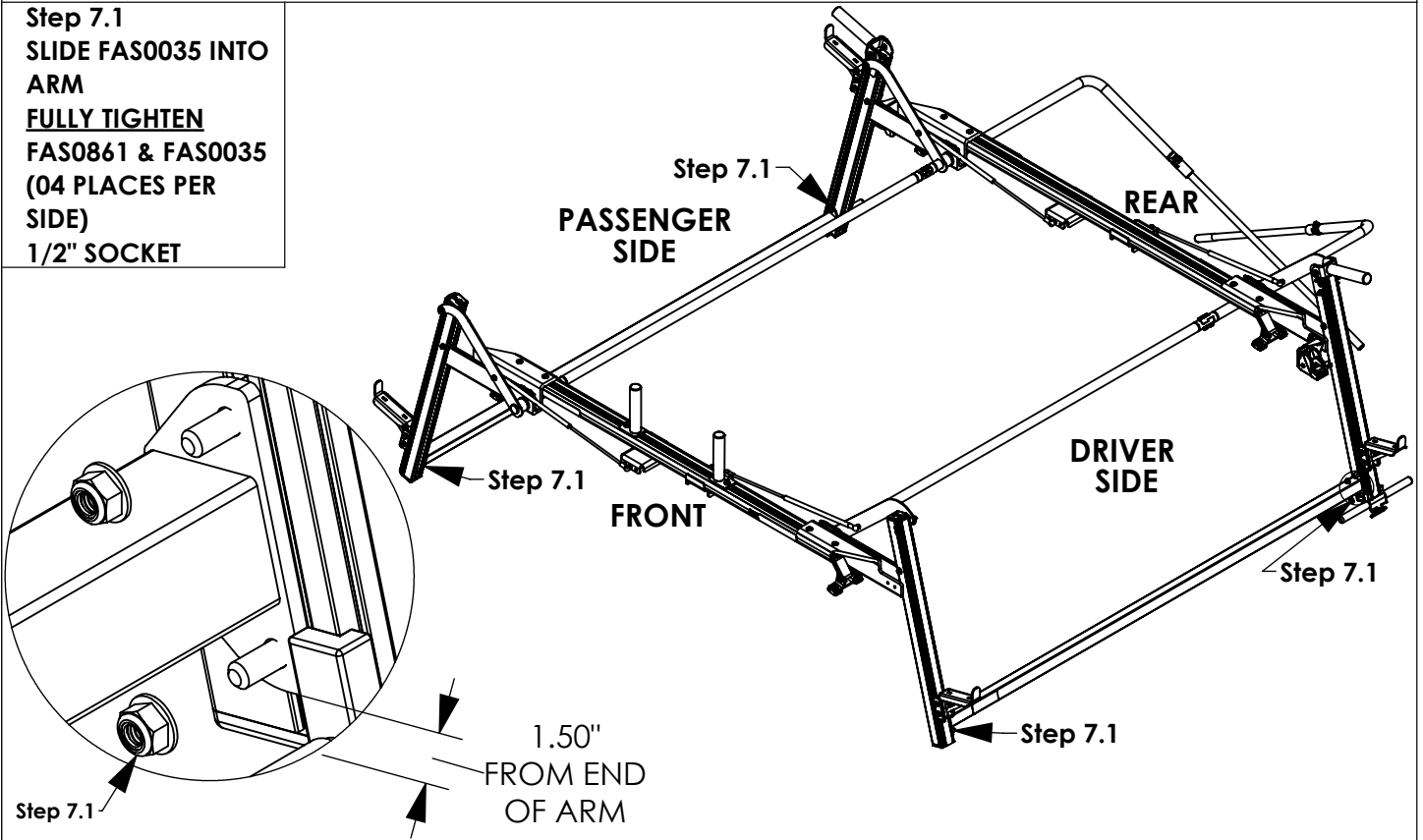
ORIENTATION OF DAMPER MATTERS!!!!

LARGE CYLINDER OF DAMPER ATTACHES TO ARM
 SMALL ROD END ATTACHES TO DAMPER BRACKET



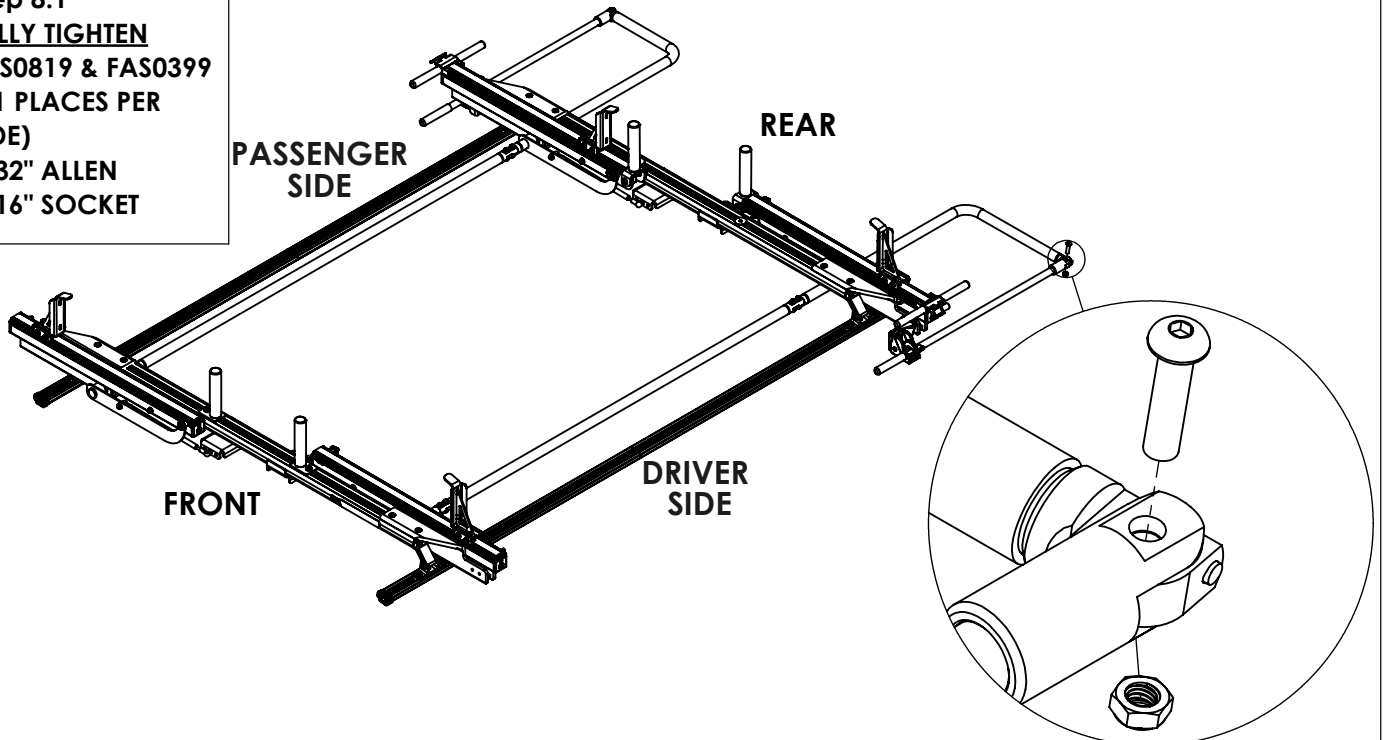
STEP 7 - WHILE RACK DEPLOYED INSTALL O.S. BAR

Step 7.1
SLIDE FAS0035 INTO
ARM
FULLY TIGHTEN
FAS0861 & FAS0035
(04 PLACES PER
SIDE)
1/2" SOCKET



STEP 8 - INSTALL DROP DOWN HANDLE

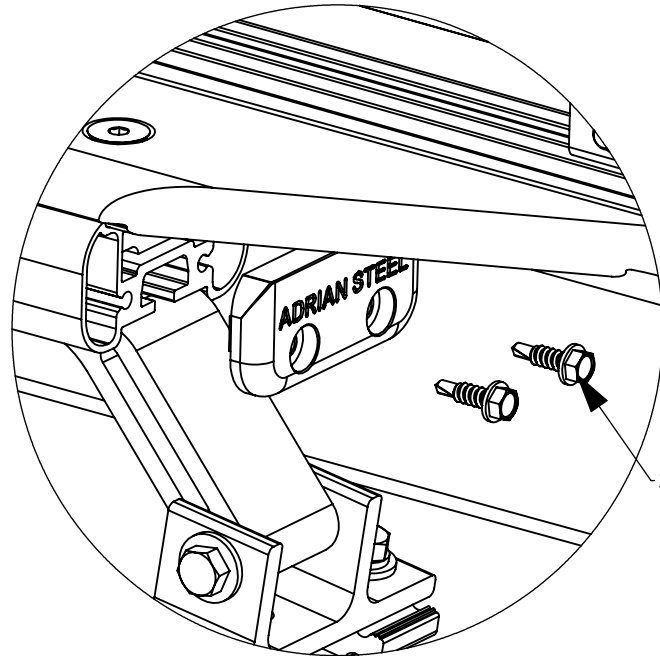
Step 8.1
FULLY TIGHTEN
FAS0819 & FAS0399
(01 PLACES PER
SIDE)
7/32" ALLEN
9/16" SOCKET



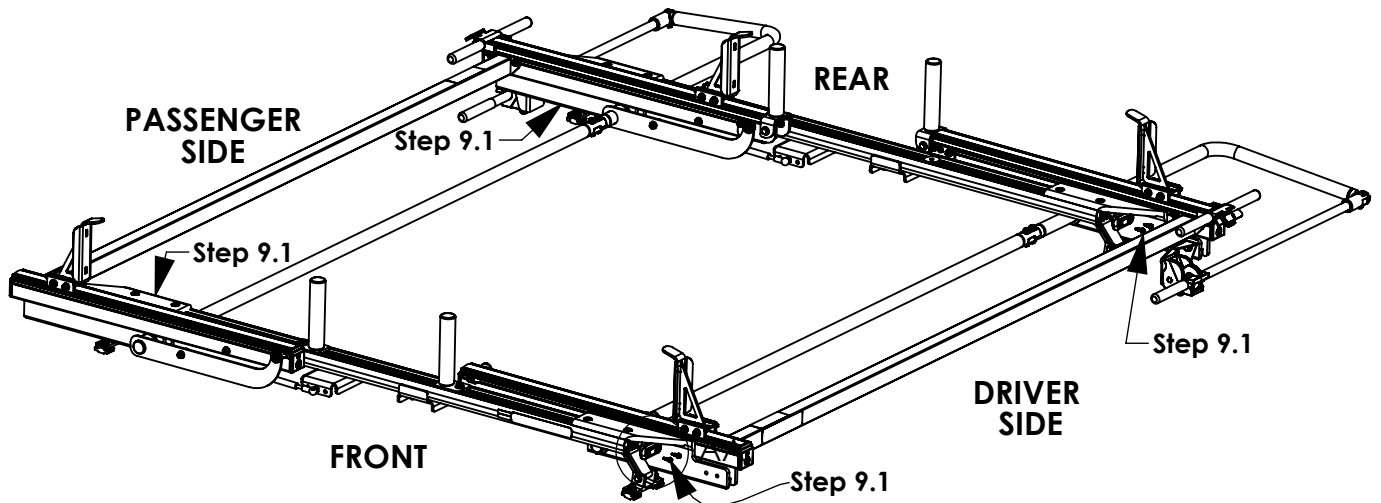
MAKE SURE ALL FASTENERS ARE TIGHTENED!!! INSTALLATION IS COMPLETE

STEP 9 - INSTALL CROSSBOW END CAPS

Step 9.1
FULLY TIGHTEN
(02) FAS0473, 65961
(02 PLACES PER SIDE)
3/8" SOCKET



Step 9.1



MAKE SURE ALL FASTENERS ARE TIGHTENED!!! INSTALLATION IS COMPLETE



Mounting Roof Rail Kit, Transit

PRODUCT WEIGHT
7.2 LBS

HEIGHT OFF ROOF

SEE TABLE BELOW



CAPACITY
**REFER TO OEM'S
RECOMMENDED LOAD
RATING**

COLOR

RAW

CATALOG NUMBER

RRKFT

PRODUCT FEATURES

Ford Transit aluminum mounting roof rail kit for the PROFILE™ HD Utility, Grip-Lock, ProLift, and combo ladder racks. Mounting kit works on all roof height and wheelbase combinations for Ford Transit vans.

Utility and Grip-Lock racks are not recommended for medium or high roof vehicles!

SEE PAGES 2 & 3 FOR APPLICATION NOTES AND ACCESSORIES, OTHER PRODUCTS THAT WORK WITH THIS UNIT.

PAGE 1 of 4

The information contained in this document is the sole property of ADRIAN STEEL COMPANY. ADRIAN STEEL COMPANY retains the right to modify and/or change the product of its design at any time without prior notification.



CATALOG NUMBER RRKFT

PRODUCT APPLICATION

This product is designed to be installed Ford Transit vans. HD Utility and Grip-Lock racks are not recommended for medium or high roof vehicles!

ACCESSORIES THAT WILL WORK WITH THIS PRODUCT

CATALOG NUMBER	DESCRIPTION	CATALOG NUMBER	DESCRIPTION
White Kit Part Numbers		Black Kit Part Numbers	
Crossbow Kits			
2BARW	2-Crossbar Kit, 68", White, Full Size Van	2BARB	2-Crossbar Kit, 68", Black, Full Size Van
1BARW	2-Crossbar Kit, 48", White, Full Size Van	1BARB	2-Crossbar Kit, 48", Black, Full Size Van
2BARCW	2-Crossbar Kit, 48", White, Minivan	2BARCB	2-Crossbar Kit, 48", Black, Minivan
1BARCW	Single Crossbar Kit, 48", White, Minivan	1BARCB	Single Crossbar Kit, 48", Black, Minivan
Mounting Bracket Kits			
URMBK4W	Mounting Bracket Kit, 4-Pack, White, Multiple Vehicles	URMBK4B	Mounting Bracket Kit, 4-Pack, Black, Multiple Vehicles
URMBK2W	Mounting Bracket Kit, 2-Pack, White, Multiple Vehicles	URMBK2B	Mounting Bracket Kit, 2-Pack, Black, Multiple Vehicles
Ladder Stop & Upright Kits			
ULSKB	Single Ladder Stop Kit, Black	ULSKAB	Single Ladder Stop Kit, Black
4UPK4B	4" Upright Kit, 4-Pack, Black	4UPK4AB	4" Upright Kit, 4-Pack, Black
4UPK2B	4" Upright Kit, 2-Pack, Black	4UPK2AB	4" Upright Kit, 2-Pack, Black
6UPK4B	6" Upright Kit, 4-Pack, Black	6UPK4AB	6" Upright Kit, 4-Pack, Black
6UPK2B	6" Upright Kit, 2-Pack, Black	6UPK2AB	6" Upright Kit, 2-Pack, Black
9UPK4B	9" Upright Kit, 4-Pack, Black	9UPK4AB	9" Upright Kit, 4-Pack, Black
9UPK2B	9" Upright Kit, 2-Pack, Black	9UPK2AB	9" Upright Kit, 2-Pack, Black
RSK1B	Single Ratchet Upright Kit, 9", Black	RSK1AB	Single Ratchet Upright Kit, 9", Black

Continued on Page 3



CATALOG NUMBER **RRKFT**

PRODUCT APPLICATION

This product is designed to be installed Ford Transit vans. HD Utility and Grip-Lock racks are not recommended for medium or high roof vehicles!

ACCESSORIES THAT WILL WORK WITH THIS PRODUCT

CATALOG NUMBER	DESCRIPTION	CATALOG NUMBER	DESCRIPTION
White Kit Part Numbers		Black Kit Part Numbers	
Grip-Lock Kits			
GL-FSVDS	Driver Side Grip-Lock Kit, Full Size Van	GL-FSVDS-B	Driver Side Grip-Lock Kit, Full Size Van, Black
GL-FSVPS	Passenger Side Grip-Lock Kit, Full Size Van	GL-FSVPS-B	Passenger Side Grip-Lock Kit, Full Size Van, Black
Standard Drop ProLift Kits			
SDPLDS	Driver Side Standard Drop ProLift Kit, Full Size Van	SDPLDS-B	Driver Side Standard Drop ProLift Kit, Full Size Van, Black
SDPLPS	Passenger Side Standard Drop ProLift Kit, Full Size Van	SDPLPS-B	Passenger Side Standard Drop ProLift Kit, Full Size Van, Black
Max Drop ProLift Kits			
DDPLDS	Driver Side Max Drop ProLift Kit, Full Size Van	DDPLDS-B	Driver Side Max Drop ProLift Kit, Full Size Van, Black
DDPLPS	Passenger Side Max Drop ProLift Kit, Full Size Van	DDPLPS-B	Passenger Side Max Drop ProLift Kit, Full Size Van, Black
DDPLDSM	Driver Side Max Drop ProLift Kit, Full Size Van, Mid Roof	DDPLDSM-B	Driver Side Max Drop ProLift Kit, Full Size Van, Mid Roof, Black
DDPLPSM	Passenger Side Max Drop ProLift Kit, Full Size Van, Mid Roof	DDPLPSM-B	Passenger Side Max Drop ProLift Kit, Full Size Van, Mid Roof, Black
DDPLDSH	Driver Side Max Drop ProLift Kit, Full Size Van, High Roof	DDPLDSH-B	Driver Side Max Drop ProLift Kit, Full Size Van, High Roof, Black
DDPLPSH	Passenger Side Max Drop ProLift Kit, Full Size Van, High Roof	DDPLPSH-B	Passenger Side Max Drop ProLift Kit, Full Size Van, High Roof, Black
Double Stack ProLift Kits			
DSPLDS	Driver Side Double Stack ProLift Kit, Full Size Van	DSPLDS-B	Driver Side Double Stack ProLift Kit, Full Size Van, Black
DSPLPS	Passenger Side Double Stack ProLift Kit, Full Size Van	DSPLPS-B	Passenger Side Double Stack ProLift Kit, Full Size Van, Black



CATALOG NUMBER RRKFT

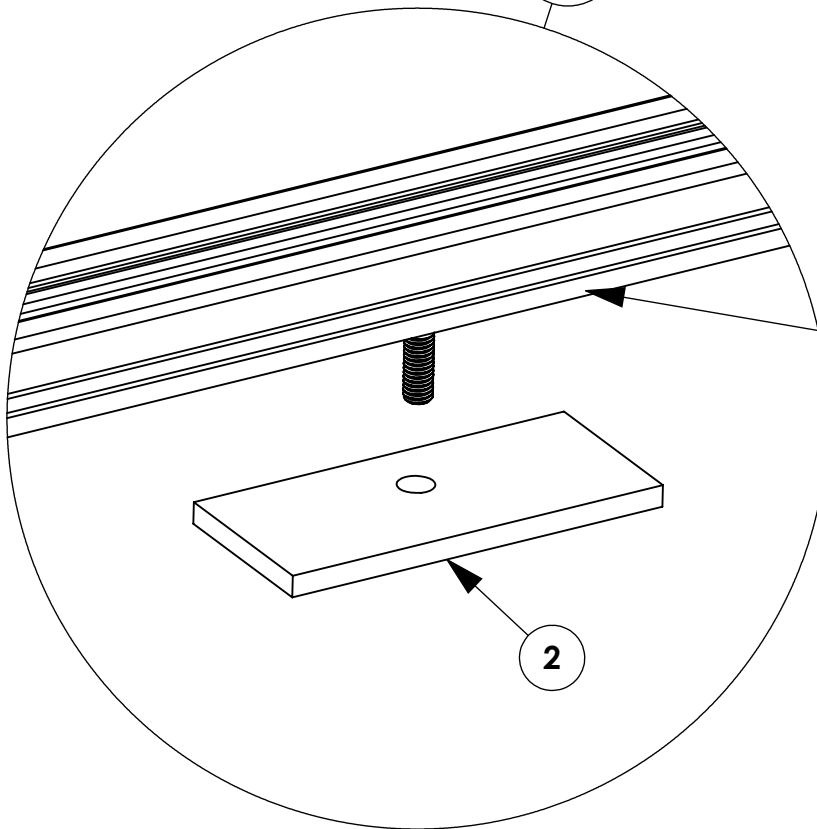
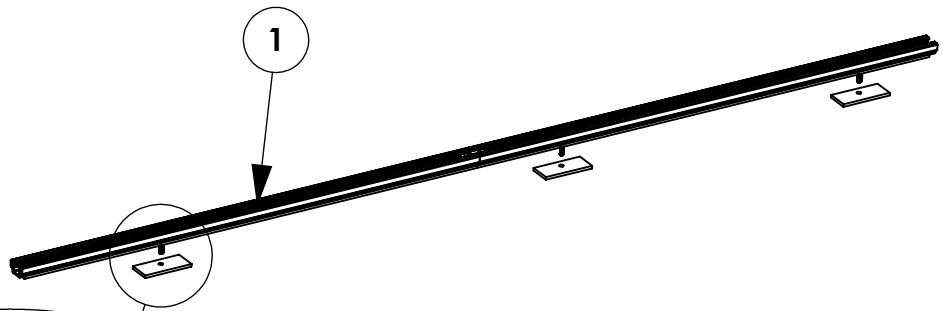
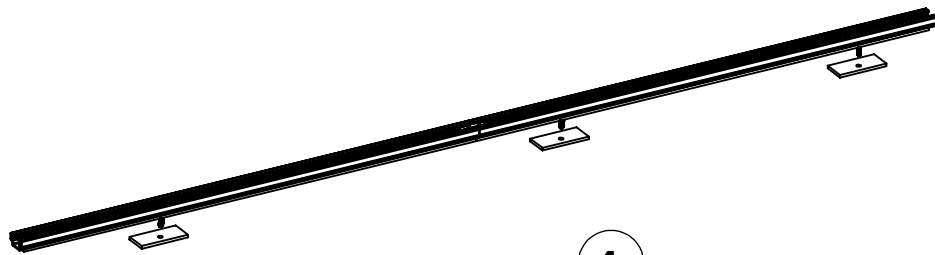
PRODUCT APPLICATION

This product is designed to be installed Ford Transit vans. HD Utility and Grip-Lock racks are not recommended for medium or high roof vehicles!

LADDER RACK HEIGHTS MEASURED FROM ROOF OF VEHICLE

CONFIGURATION	RACK HEIGHT LOW / MED / HIGH ROOF
Base Rack	5.5" / 4.6" / 4.6"
Base + Ladder Stop	11.0" / 10.1" / 10.1"
Base + 4" Uprights	9.0" / 8.1" / 8.1"
Base + 6" Uprights	11.0" / 10.1" / 10.1"
Base + 9"/Ratchet Uprights	14.0" / 13.1" / 13.1"
Base + 4" PVC Conduit Kit	9.9" / 9.0" / 9.0"
Base + 6" PVC Conduit Kit	11.9" / 11.0" / 11.0"
Base + Aluminum Box Conduit Kit	12.0" / 11.2" / 11.2"
Base + Grip-Lock	12.2" / (N/A) / (N/A)
Base + Standard Drop ProLift	12.5" / (N/A) / (N/A)
Base + Max Drop ProLift	14.0" / 13.1" / 13.1"
Base + Double Stack ProLift	Coming Soon!

INSTR. NUMBER : 67267	PG: 1	REV: E	ITEM NO.	PART NUMBER	DESCRIPTION	QTY.
	PART NUMBER : RRKFT		1	63477	ROOF RAIL, FORD TRNST FSV	4
PART DESC. : ROOF RAIL KIT FT FSV			2	52709	SPACER-PAD .25 TRANSIT LR LDRK	6



ATTENTION!

PLEASE VERIFY THAT FOAM TAPE HAS BEEN INCLUDED ON THE BOTTOM OF EACH RAIL.

DO NOT INSTALL RAILS IF THE FOAM TAPE IS MISSING!

TOOLS NEEDED:

- DRIVE RATCHET
- IMPACT DRIVER
- 13mm SOCKET
- 5/32" HEX DRIVE
- M8-1.25 TAP
- TAPE MEASURE

GET TO KNOW THE VEHICLE - AT THE BEGINNING OF ANY INSTALLATION, CHECK THE LOCATION OF THE FUEL TANK, FUEL LINES, BRAKE LINES, HIGH VOLTAGE BATTERIES AND WIRING HARNESES TO AVOID INJURY OR PROPERTY DAMAGE FROM TOOL CONTACT.

SEAL ALL EXTERIOR HOLES - ALL INSTALLATION HOLES SHOULD BE SEALED WITH BUTYL TAPE OR SILICON TO PREVENT WATER AND EXHAUST GASES FROM ENTERING THE VEHICLE.

CONTROL DRILL DEPTH - TO AVOID DAMAGE TO THE VEHICLE, USE A DRILL STOP OR CLEARED STEP BIT WHEN DRILLING INSTALLATION HOLES.

ALWAYS ADD PRIMER - WHEN ADDING INSTALLATION HOLES BE SURE TO USE A SELF-ETCHING PRIMER TO PREVENT CORROSION, FASTENER FAILURE AND INJURY.

MOUNTING POINTS MUST HAVE METAL-TO-METAL CONTACT - USE PROVIDED MOUNTING SPACERS TO ACCOMMODATE FOR VEHICLE FEATURES, CARPET OR SUBFLOORS.

PROVIDE CLEARANCE FOR SPACERS - IF THE INSTALLATION VEHICLE CONTAINS A CARPET OR SUBFLOOR, USE A 1-3/16" DIAMETER CARPET CUTTER (P/N: 31183-0) AT ALL MOUNTING LOCATIONS TO OPEN UP ROOM FOR SPACERS.

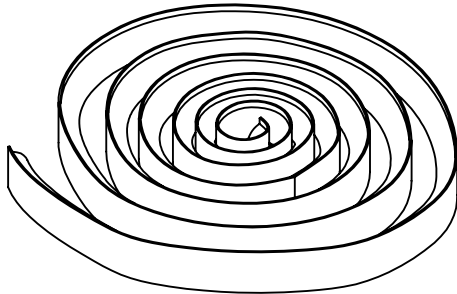
CHECK SPACER ORIENTATION - BE SURE THAT THE INDENT IN THE SPACER COVERS THE PLUSNUT HEAD; THIS ENSURES THE MOST METAL-TO-METAL CONTACT AND REDUCES VIBRATION.

PLUSNUT INSTALLATION - A PLUSNUT GUN IS RECOMMENDED FOR PLUSNUT INSTALLATION FOR ITS PRODUCTION SPEED. HOWEVER, A PLUSNUT SETTING TOOL CAN ALSO BE USED (P/N: 22200-0).

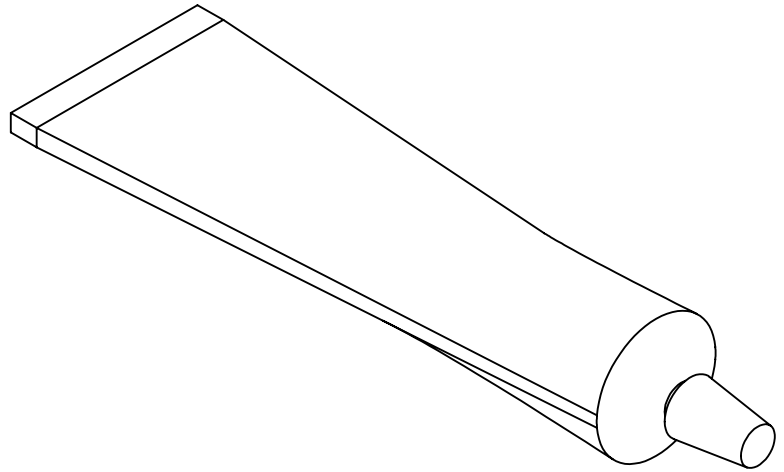
THRU-BOLT CLEARANCE - WHEN USING A THRU-BOLT AT ANY MOUNTING LOCATION, BE SURE THAT YOUR HOLE HAS 1/16" CLEARANCE.

FASTENERS AND HARDWARE USED

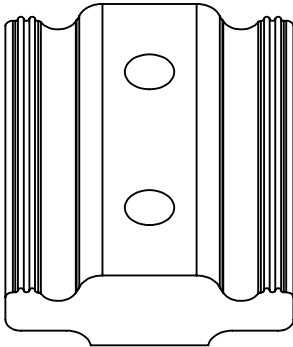
BAG REFERENCE: BAGRRKFTM & BAG63411



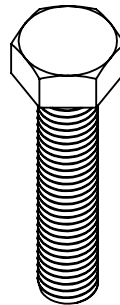
05586-0
BUTYL TAPE
1FT ROLL
QTY: 1



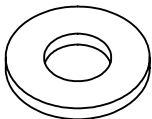
26618-0
SILICONE
1OZ TUBE
QTY: 1



63491
RAIL CONNECTOR, 2"
QTY: 2



FAS0351
SCREW, HH SS
M8-1.25X40
QTY: 6



FAS0552
WASHER, FLAT
5/16 SS
QTY: 6



FAS0497
SCREW, SET
5/16-18X.75 SS
QTY: 4

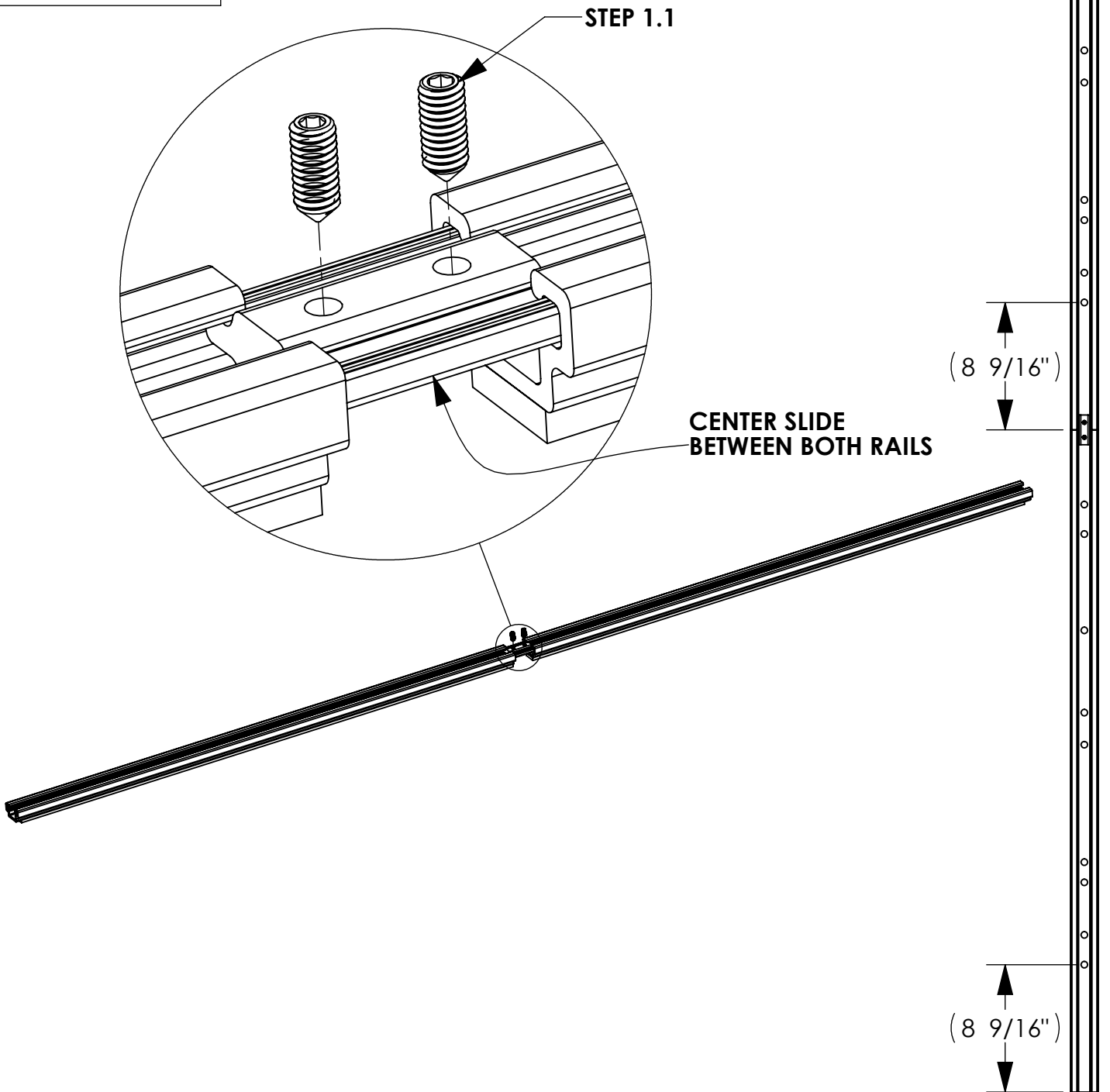


FAS0588
WASHER, LCK
SPLIT 5/16 SS
QTY: 6

PAGE INTENTIONALLY LEFT BLANK

STEP 1 - ASSEMBLE ROOF RAILS

STEP 1.1
FULLY TIGHTEN
63491, (02) FAS0497
(02 PLACES)
5/32" HEX DRIVE



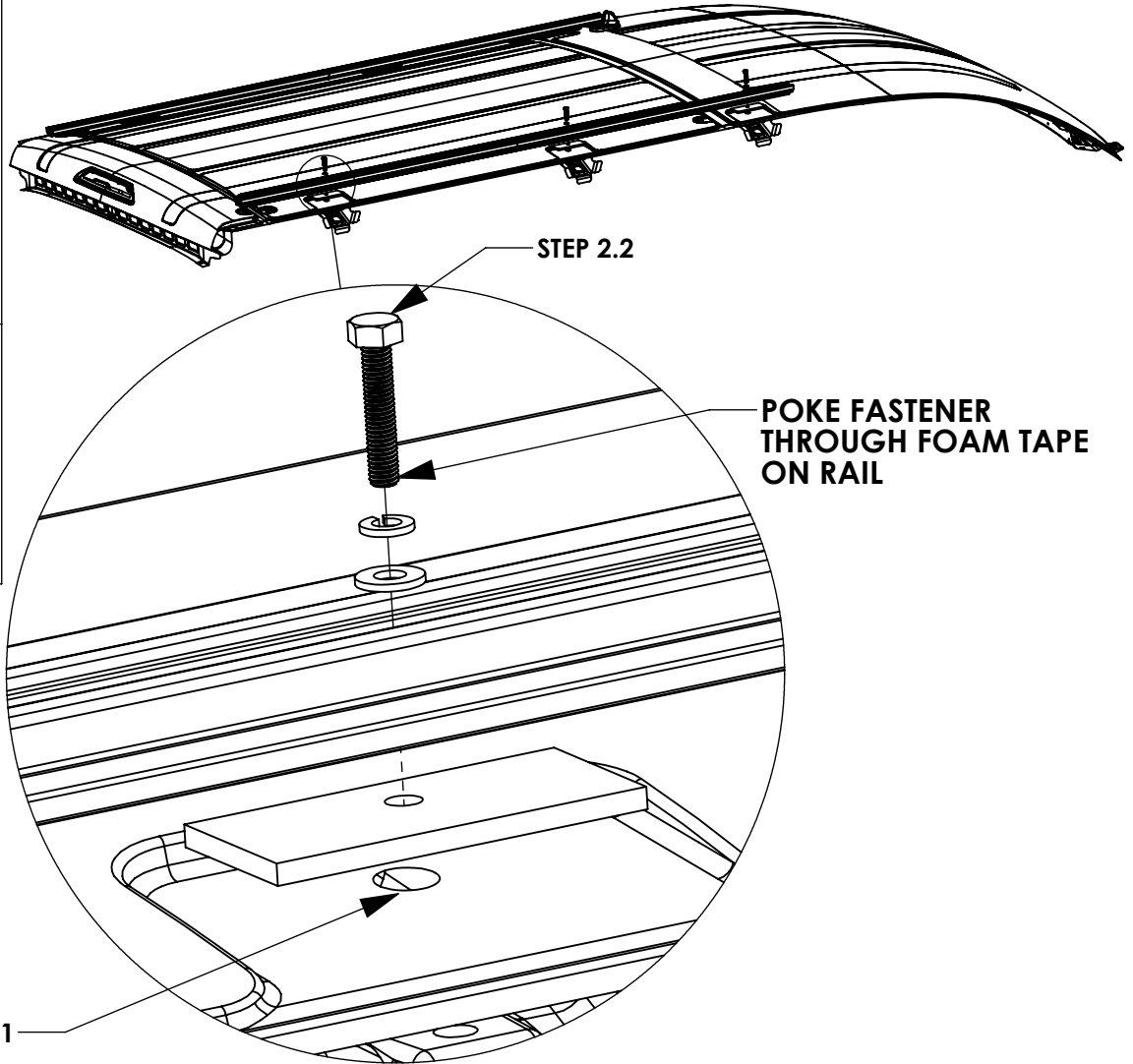
STEP 2 - INSTALL ROOF RAILS ONTO VEHICLE ROOF

**STEP 2.1
REMOVE OEM
PLASTIC PLUG**

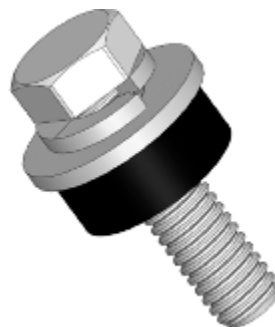
USE M8-1.25 TAP
TO CLEAR THREAD
OF OEM WELD NUT
(IF NECESSARY)

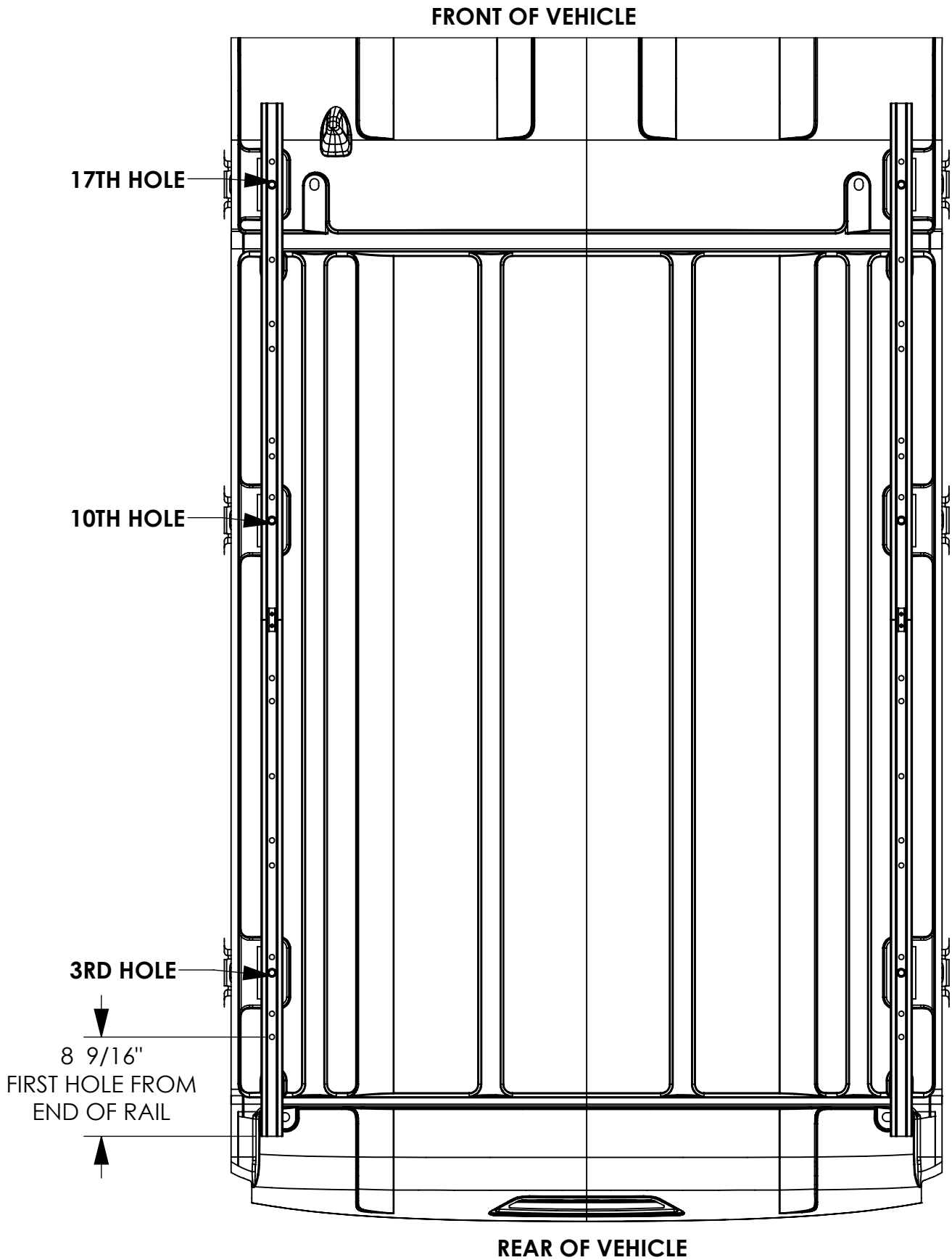
ROOF HOLE
CLEARANCING
MAY BE
NECESSARY DO TO
OEM ROOF
TOLERANCE

**STEP 2.2
FULLY TIGHTEN
FAS0351, FAS0552,
FAS0588
(06 PLACES)
13mm SOCKET**



**ADD SILICONE TO FILL CAVITY OF EACH OEM WELD NUT IN
VEHICLE ROOF AND BUTYL TAPE UNDER WASHERS ON BOLT**





ROOF RAIL INSTALL LOCATION - 148" WHEELBASE

FRONT OF VEHICLE

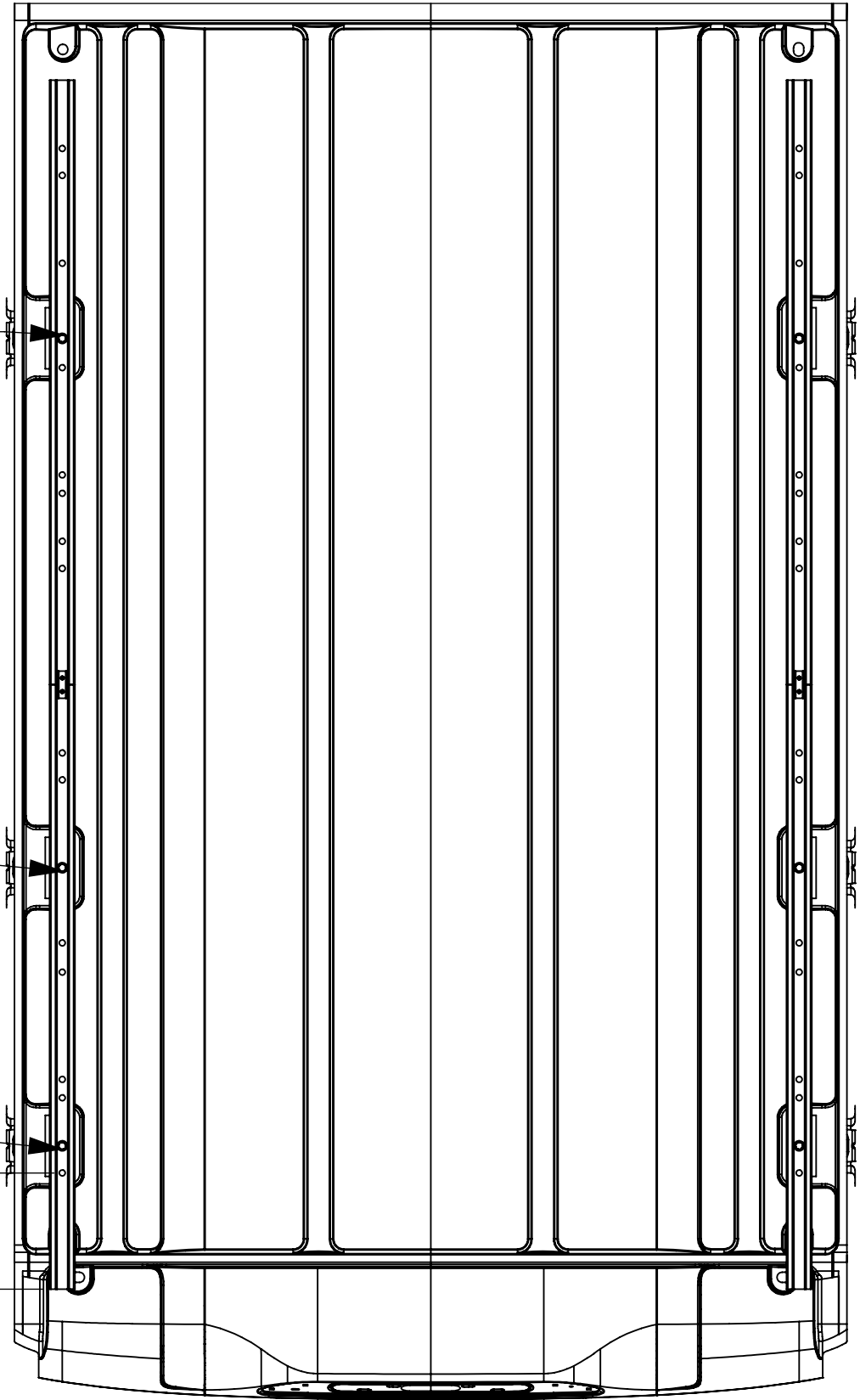
15TH HOLE

7TH HOLE

2ND HOLE

8 9/16"
FIRST HOLE FROM
END OF RAIL

REAR OF VEHICLE



FRONT OF VEHICLE

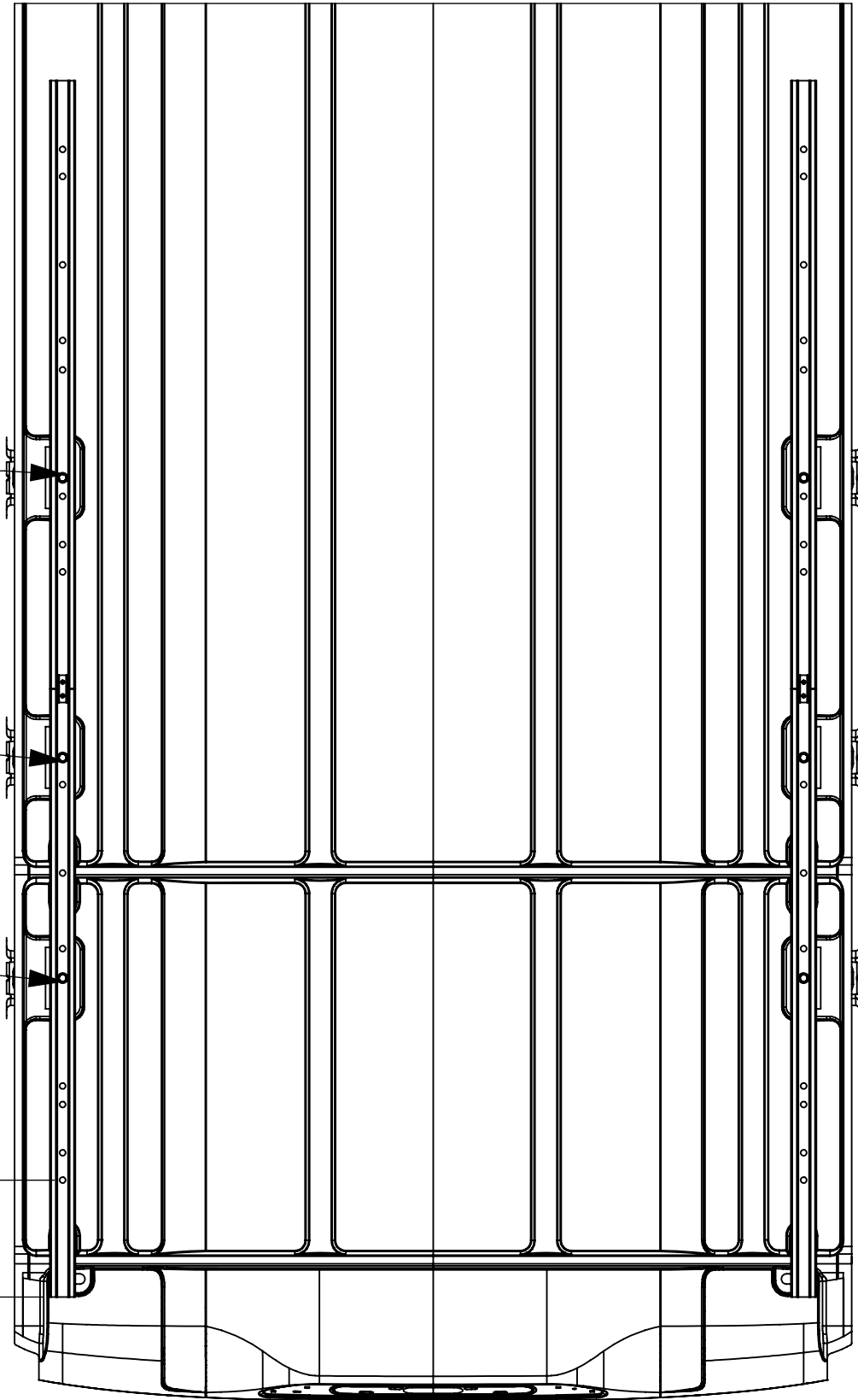
13TH HOLE

9TH HOLE

5TH HOLE

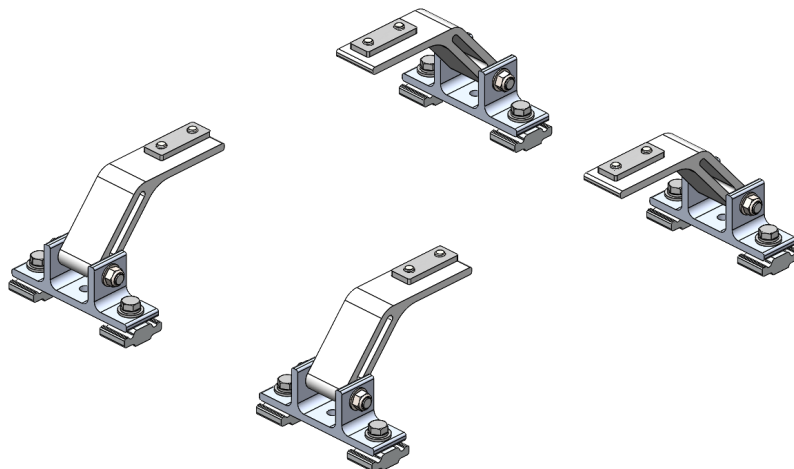
8 9/16"
FIRST HOLE FROM
END OF RAIL

REAR OF VEHICLE





Mounting Bracket Kit, 4-Pack, White, Multiple Pickups



PRODUCT WEIGHT
4.0 LBS

HEIGHT OFF ROOF
SEE TABLE BELOW

CAPACITY
**REFER TO OEM'S
RECOMMENDED LOAD
RATING**
COLOR

WHITE

CATALOG NUMBER

URMBK4W

PRODUCT FEATURES

Aluminum mounting bracket kit for the PROFILE™ HD Utility, Grip-Lock, and/or ProLift ladder racks. Only works with the OEM specific, Adrian Steel supplied roof rail kit.

Utility and Grip-Lock racks are not recommended for medium or high roof vehicles!

Reference respective OEM specific roof rail kit for more detailed list of compatible accessories.

SEE PAGE 2 FOR APPLICATION NOTES AND ACCESSORIES, OTHER PRODUCTS THAT WORK WITH THIS UNIT.

PAGE 1 of 2

The information contained in this document is the sole property of ADRIAN STEEL COMPANY. ADRIAN STEEL COMPANY retains the right to modify and/or change the product of its design at any time without prior notification.



CATALOG NUMBER URMBK4W

PRODUCT APPLICATION

This product is designed to work with OEM specific rail kit for HD Utility, Grip-Lock, and/or ProLift racks. HD Utility and Grip-Lock racks are not recommended for medium or high roof vehicles!

ACCESSORIES THAT WILL WORK WITH THIS PRODUCT

CATALOG NUMBER	DESCRIPTION	CATALOG NUMBER	DESCRIPTION
RRKFT	Mounting Roof Rail Kit, Transit	RRKNVFSV	Mounting Roof Rail Kit, NV
RRKSP	Mounting Roof Rail Kit, Sprinter	RRKPM	Mounting Roof Rail Kit, ProMaster, 118" WB, 159" WB, 159" WB Extended
RRKPM136WB	Mounting Roof Rail Kit, ProMaster, 136" WB	RRKSBTOP	Mounting Roof Rail Kit, Multiple Pickups
RRKLBTOP	Mounting Roof Rail Kit, Multiple Pickups		

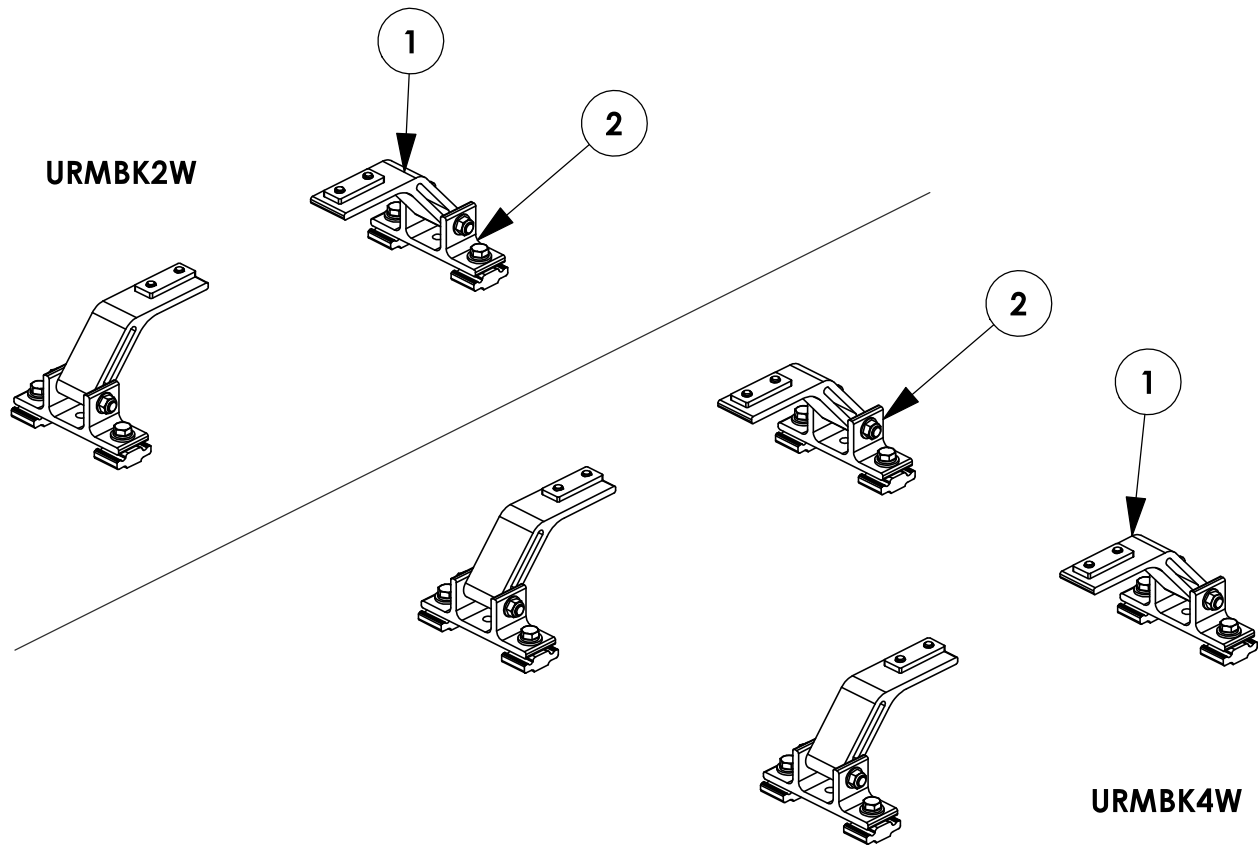
Reference respective OEM specific roof rail kit for more detailed list of compatible accessories.

INSTR. NUMBER : 66850	PG: 1	REV: E	ITEM NO.	PART NUMBER	DESCRIPTION	URMBK4W	URMBK2W
	PART NUMBER : URMBK		1	65123-W	UTILITY, FT MOUNT ARM, ST, W	4	2
PART DESC. : UTILITY, MNT BKT KT, RAIL			2	63852-W	UTILITY, MOUNTING BRKT, W	4	2

**-PART NUMBERS WITH "-W" SUFFIX ARE PAINTED WHITE
-FOR BLACK MOUNTING KITS, REPLACE "-W" PARTS WITH "-B" PARTS**

NOTE: THIS INSTRUCTION IS VALID FOR THE FOLLOWING KITS:

- URMBK4W
- URMBK4B
- URMBK2W
- URMBK2B



TOOLS NEEDED:

- DRIVE RATCHET
- IMPACT DRIVER
- 3/16" SOCKET
- 1/2" SOCKET
- 1/2" WRENCH
- TAPE MEASURE

GET TO KNOW THE VEHICLE - AT THE BEGINNING OF ANY INSTALLATION, CHECK THE LOCATION OF THE FUEL TANK, FUEL LINES, BRAKE LINES, HIGH VOLTAGE BATTERIES AND WIRING HARNESSSES TO AVOID INJURY OR PROPERTY DAMAGE FROM TOOL CONTACT.

SEAL ALL EXTERIOR HOLES - ALL INSTALLATION HOLES SHOULD BE SEALED WITH BUTYL TAPE OR SILICON TO PREVENT WATER AND EXHAUST GASES FROM ENTERING THE VEHICLE.

CONTROL DRILL DEPTH - TO AVOID DAMAGE TO THE VEHICLE, USE A DRILL STOP OR CLEARED STEP BIT WHEN DRILLING INSTALLATION HOLES.

ALWAYS ADD PRIMER - WHEN ADDING INSTALLATION HOLES BE SURE TO USE A SELF-ETCHING PRIMER TO PREVENT CORROSION, FASTENER FAILURE AND INJURY.

MOUNTING POINTS MUST HAVE METAL-TO-METAL CONTACT - USE PROVIDED MOUNTING SPACERS TO ACCOMMODATE FOR VEHICLE FEATURES, CARPET OR SUBFLOORS.

PROVIDE CLEARANCE FOR SPACERS - IF THE INSTALLATION VEHICLE CONTAINS A CARPET OR SUBFLOOR, USE A 1-3/16" DIAMETER CARPET CUTTER (P/N: 31183-0) AT ALL MOUNTING LOCATIONS TO OPEN UP ROOM FOR SPACERS.

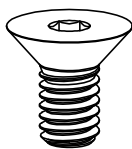
CHECK SPACER ORIENTATION - BE SURE THAT THE INDENT IN THE SPACER COVERS THE PLUSNUT HEAD; THIS ENSURES THE MOST METAL-TO-METAL CONTACT AND REDUCES VIBRATION.

PLUSNUT INSTALLATION - A PLUSNUT GUN IS RECOMMENDED FOR PLUSNUT INSTALLATION FOR ITS PRODUCTION SPEED. HOWEVER, A PLUSNUT SETTING TOOL CAN ALSO BE USED (P/N: 22200-0).

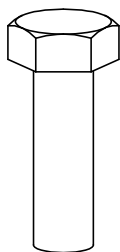
THRU-BOLT CLEARANCE - WHEN USING A THRU-BOLT AT ANY MOUNTING LOCATION, BE SURE THAT YOUR HOLE HAS 1/16" CLEARANCE.

FASTENERS AND HARDWARE USED

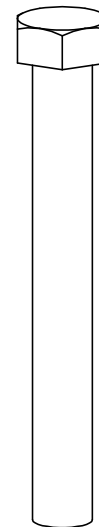
BAG REFERENCE: BAG66848



FAS0858
5/16-18X.63
FHH SCREW
QTY: 8



FAS0597
5/16-18X1.0 SS
HH SCREW
QTY: 8



FAS0243
5/16-18X2.5 SS
HH SCREW
QTY: 4



FAS0857
5/16 SS WASHER,
LOCK EXT CS
QTY: 8



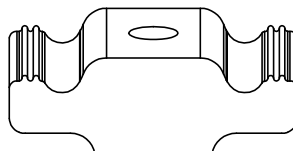
FAS0588
5/16 SS
SPLIT WASHER
QTY: 8



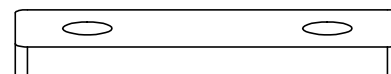
FAS0552
5/16 SS
FLAT WASHER
QTY: 12



FAS0861
5/16-18 SS
HH FLG NUT
QTY: 4



63490
RAIL SLIDE,
1"
QTY: 8



68042
PROFILE FOOT
MOUNTING PLATE
QTY: 4

PAGE INTENTIONALLY LEFT BLANK

STEP 1 - ASSEMBLE MOUNTING ARMS TO CROSSBOW



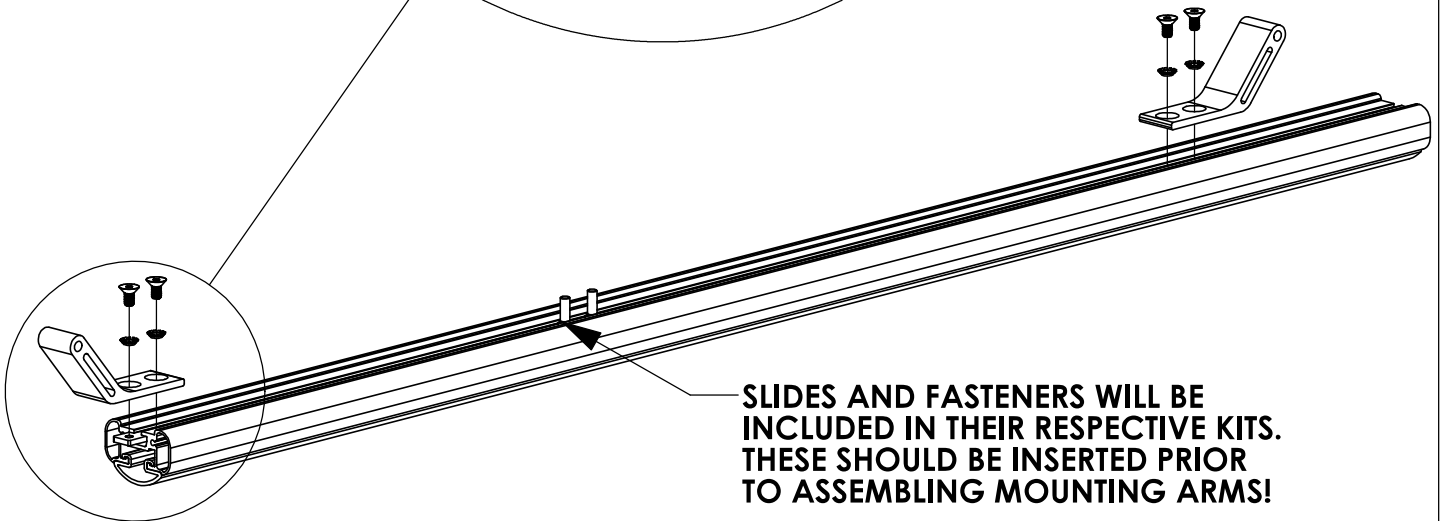
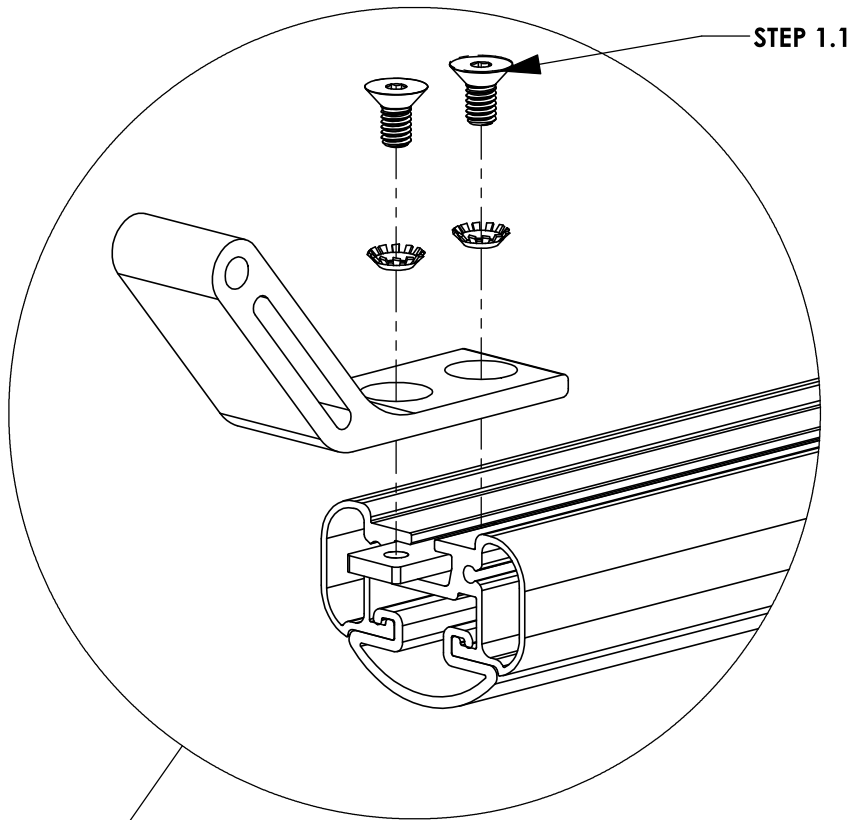
CHECK TABLE 1-3 IN INSTRUCTION 68895 FOR ADDITIONAL ACCESSORY SLIDE INSTALLATION BEFORE INSTALLING MOUNTING BRACKETS (ALL A.2 ITEMS SHOULD BE COMPLETELY ASSEMBLED FIRST!)

STEP 1.1
LOOSELY ASSEMBLE
UNTIL AFTER STEP 3
(2) FAS0857, (2)
FAS0858, 68042

(02 PLACES PER
CROSSBOW)
3/16" ALLEN

ATTENTION!

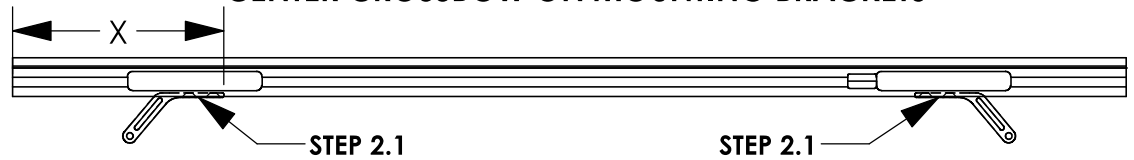
IF INSTALLING A GRIP-LOCK ON A PICKUP TRUCK TOPPER, ASSEMBLE MOUNTING ARMS FACING OUTWARD FOR THAT SIDE OF THE RACK



STEP 2 - SECURE CROSSBOW

FULL SIZE VANS

CENTER CROSSBOW ON MOUNTING BRACKETS



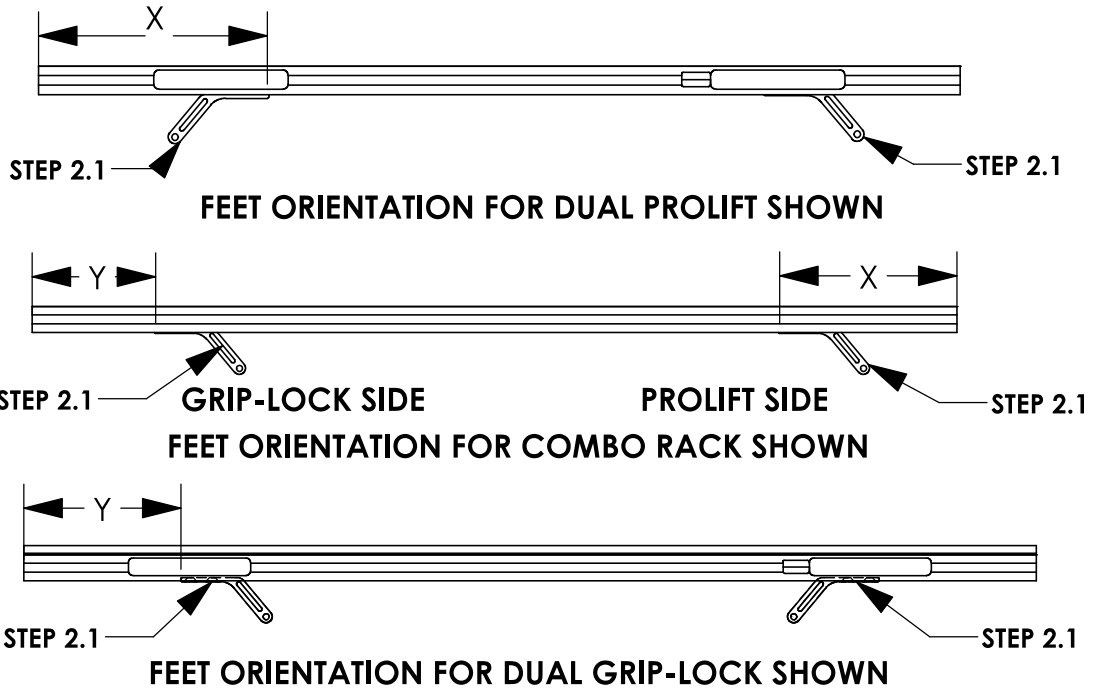
STEP 2.1
FULLY TIGHTEN
FROM STEP 1.1

(04 PLACES PER
CROSSBOW)
3/16" ALLEN

VEHICLE PLATFORM	DIMENSION "X" (in.) - 58" CROSSBOW	DIMENSION "X" (in.) - 68" CROSSBOW
FORD TRANSIT	6 5/8"	11 5/8"
RAM PROMASTER	6"	11"
NISSAN NV	4 7/8"	9 7/8"
MERCEDES SPRINTER (LOW ROOF)	4 5/8"	9 5/8"
MERCEDES SPRINTER (HIGH ROOF)	8 1/8"	13 1/8"

DIMENSION WILL VARY
BASED ON ROOF RAIL
PLACEMENT ON
TOPPER

PICKUP TRUCK TOPPERS



MOUNTING FEET
FOR GRIP LOCK SIDE
OF COMBO RACK
WILL FACE
OUTWARD FROM
ROOF CENTERLINE
ON TOPPER

CROSSBOW LENGTH	DIMENSION "X" (in.) - PROLIFT	DIMENSION "Y" (in.) - GRIPLOCK
48" (PROLIFT)	MINIMUM 10 1/8"	N/A
53" (COMBO)	MINIMUM 10 1/8"	MAX 7 1/8"
58" (GRIP-LOCK)	N/A	MAX 7 1/8"

NOTE - THESE DIMENSIONS ARE APPROXIMATE AND WILL VARY SLIGHTLY WITH ANY TOLERANCE IN THE BUILD OF THE VEHICLE

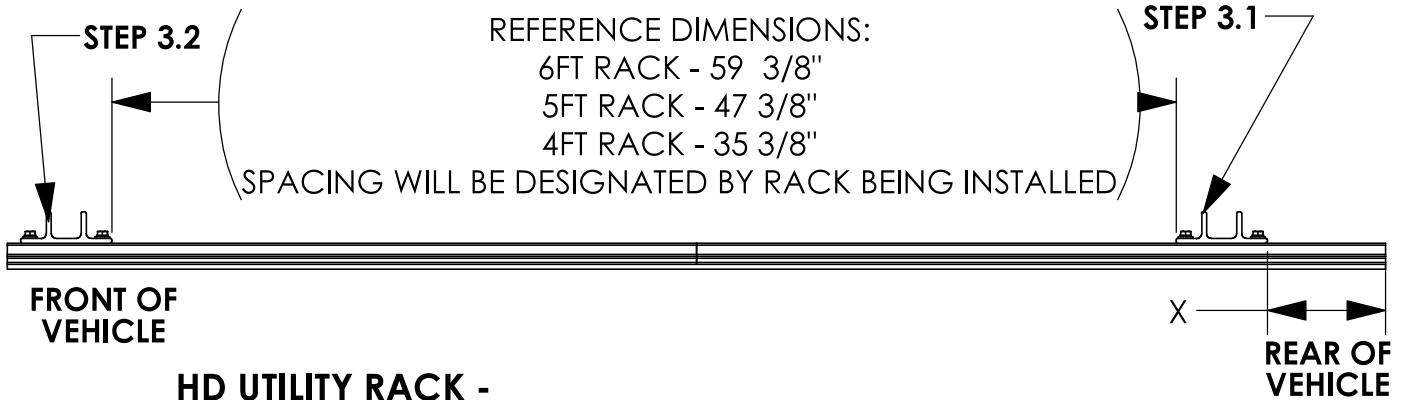
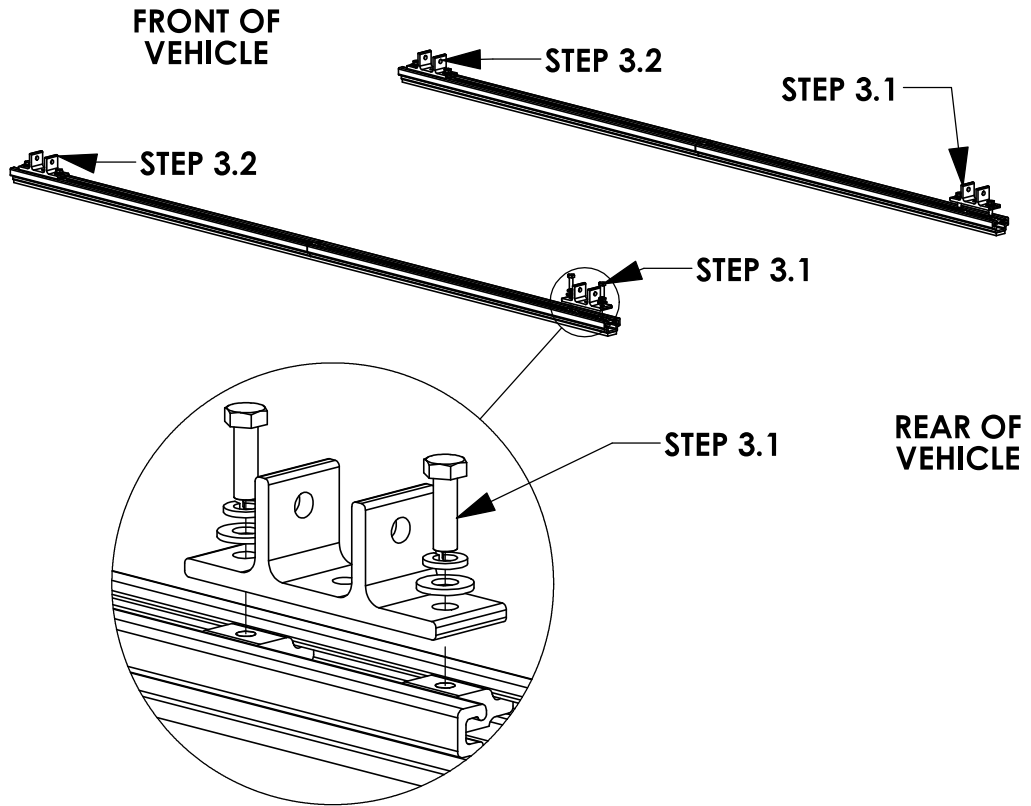
STEP 3 - ASSEMBLE LOWER MOUNTING FOOT TO ROOF RAIL

STEP 3.1
FULLY TIGHTEN
 FAS0597, FAS0552,
 FAS0588, 63490 ON
 REAR MOUNTING FEET

(02 PLACES PER
 MOUNTING FOOT)
 1/2" SOCKET

STEP 3.2
LEAVE LOOSE UNTIL
AFTER STEP 4
 FAS0597, FAS0552,
 FAS0588, 63490 ON
 FRONT MOUNTING FEET

(02 PLACES PER
 MOUNTING FOOT)
 1/2" SOCKET



HD UTILITY RACK -

REAR CROSSBOW - REARWARD AS POSSIBLE

FRONT CROSSBOW- POSITION TO BEST FIT END USER'S PRODUCT

FORD TRANSIT		RAM PROMASTER		MERCEDES SPRINTER	
ROOF HEIGHT/ WHEELBASE	POSITION X (IN)	ROOF HEIGHT/ WHEELBASE	POSITION X (IN)	ROOF HEIGHT/ WHEELBASE	POSITION X (IN)
LOW ROOF	7.5	LR 118	10	LR 144	10.5
MID ROOF	7.5	LR 136	10	HR 144	12.5
HIGH ROOF	7.5	HR 136	10	HR 170	12.5
HIGH ROOF EXT	7.5	HR 159/159 EXT	10	HR 170 EXT	12.5

STEP 4 - ASSEMBLE MOUNTING BRACKETS TO MOUNTING ARMS



BEFORE PROCEEDING WITH THIS STEP FINISH ASSEMBLING ACCESSORIES ONTO RACK. (IE GRIP LOCK, PROLIFT, ETC)

STEP 4.1

FULLY TIGHTEN

FAS0243, FAS0552,
FAS0861

(02 PLACES PER
CROSSBOW)

1/2" SOCKET
1/2" WRENCH

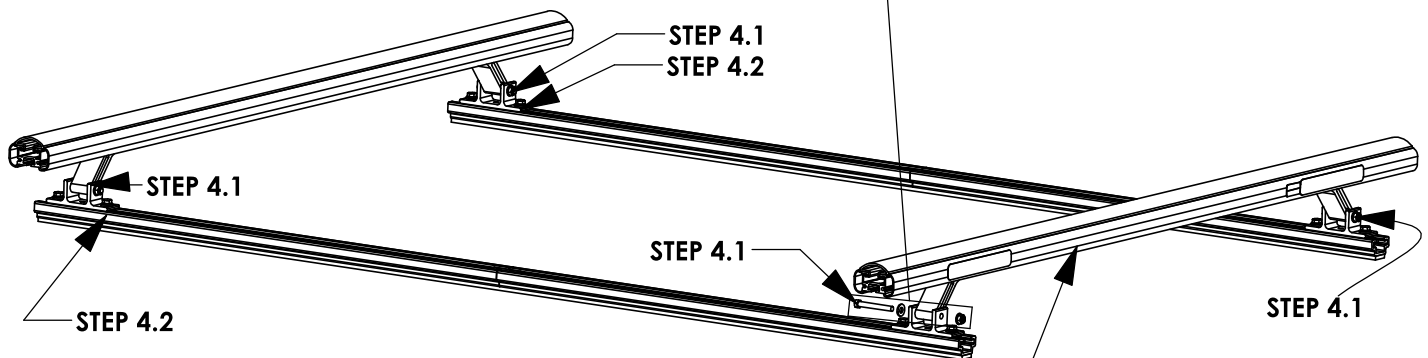
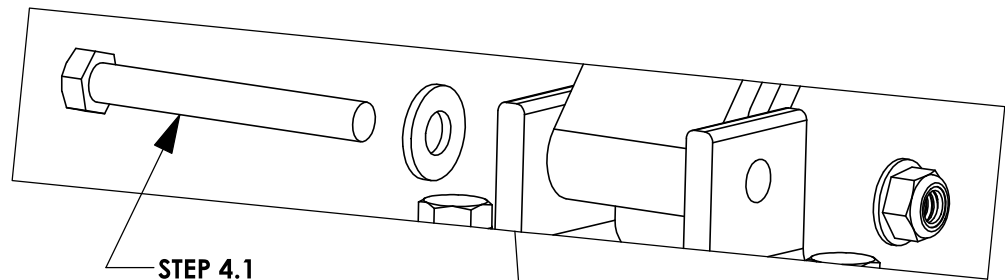
STEP 4.2

FULLY TIGHTEN

FAS0597, FAS0552,
FAS0588, 63490 ON
FRONT MOUNTING
FEET

(02 PLACES PER
MOUNTING FOOT)

1/2" SOCKET



NOTE ORIENTATION OF LABELS ON CROSSBOW

REFERENCE - NO ACCESSORIES SHOWN

STEP 5 - ADJUST MOUNTING BRACKET LOCATION IF NECESSARY

CROSSBOW POSITIONING NOTES:

HD UTILITY RACK -

REAR CROSSBOW - REARWARD AS POSSIBLE
 FRONT CROSSBOW- POSITION TO BEST FIT END USER'S PRODUCT

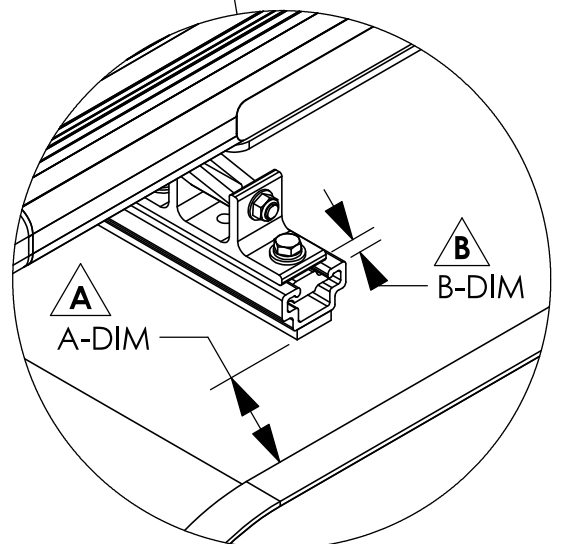
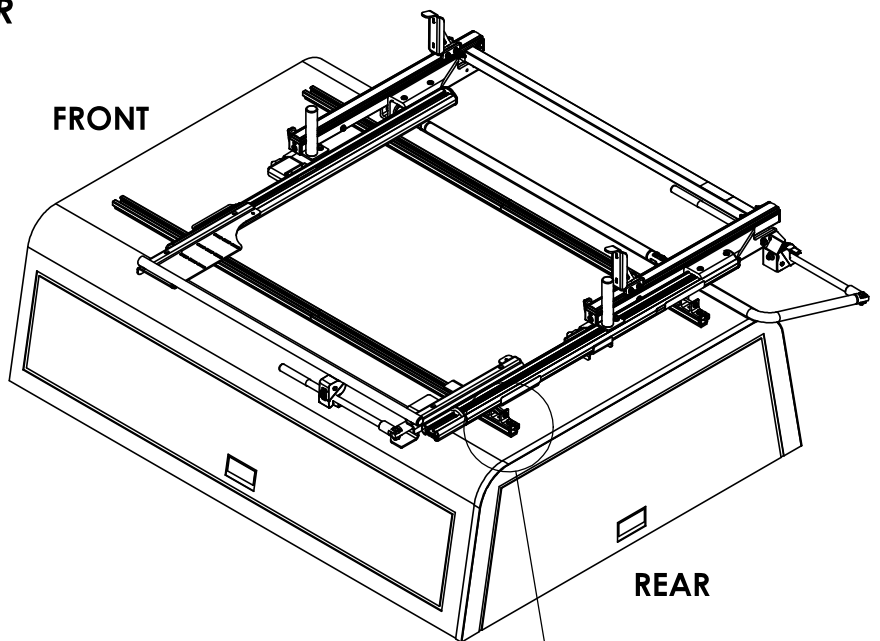
GRIP LOCK/PROLIFT LADDER RACKS -

1/2" FROM END OF RAIL UNLESS OTHERWISE STATED IN RESPECTIVE INSTRUCTION FOR CROSSBOW PLACEMENT.

6' ARE TOPPER / 8' LEER TOPPER

A OPTIMAL RAIL KIT POSITION:
 TOPPER ROOF RAIL KIT END TO BE
 A-DIM FROM BLACK TOPPER TRIM

B UTILITY MOUNTING BRACKET:
 REAR MOUNTING BRACKETS WILL
 BE B-DIM FROM THE END OF THE
 ROOF RAIL KIT



TOPPER/ DIMENSION	6' ARE TOPPER	8' LEER TOPPER
A-DIM	3.00"	1.00"
B-DIM	0.50"	0.50"

NOTE:
 IF RAILS HAVE BEEN PREVOIUSLY INSTALLED, LOOSEN TOPPER RAIL BRACKET RAIL SLIDES
 AND ADJUST TO MEET DESIRED POSITIONING

INSTALLATION IS COMPLETE!! MAKE SURE ALL FASTENERS ARE TIGHTENED



2-Crossbar Kit, 58", White, Minivan



PRODUCT WEIGHT
16.1 LBS

CROSSBOW LENGTH X
HEIGHT

59" x 2"

CAPACITY

**REFER TO OEM'S
RECOMMENDED LOAD
RATING**

COLOR

WHITE

CATALOG NUMBER

2BARCW

PRODUCT FEATURES

Aluminum base 2-crossbow kit for PROFILE™ HD Utility, grip lock, drop down, or combo ladder racks. Works with all compact van platforms for each respective wheelbase and Ford Transit Ship Thru. Works with and without OEM specific rail kit and generic mounting bracket kits.

Optional uprights and conduit kits available.

Please refer to OEM specific mounting kit or rail kit for additional information on compatible accessories.

INSTALLATION GUIDE FOR PROFILE™ SERIES LADDER RACKS

INSTRUCTION #:
68895

REV:
C



THIS INSTRUCTION PROVIDES A GENERAL GUIDE OF INSTALLATION SEQUENCE FOR ALL PROFILE™ SERIES LADDER RACKS. PLEASE ENSURE ALL ACCESSORIES ARE INSTALLED PER TYPE OF RACK BEFORE PROCEEDING TO NEXT PAGE.

REFERENCE THIS INSTRUCTION THROUGHOUT THE ENTIRETY OF YOUR INSTALL TO PREVENT ACCESSORIES BEING INSTALLED INCORRECTLY/OUT OF SEQUENCE!

STEPS 2T - 8T ON PAGE 3 IS THE RECOMMENDED ASSEMBLY SEQUENCE FOR A FULL TABLE ASSEMBLY BEFORE INSTALLING ON THE ROOF OF THE VEHICLE.

STEPS 2R - 8R ON PAGE 4 IS AN ALTERNATE ASSEMBLY SEQUENCE TO INSTALL THE RACK ON THE VEHICLE ROOF AS IT IS BUILT.

PLEASE SELECT THE ASSEMBLY SEQUENCE THAT BEST WORKS FOR YOU!

ASSEMBLY STEPS:

STEP 1A. *SUB-ASSEMBLE EACH CROSSBOW WITH DESIRED ACCESSORIES FOR SECTIONS A.1 & A.2.*

INSTRUCTIONS FOR EACH KIT CAN BE FOUND IN THEIR RESPECTIVE CARTON!

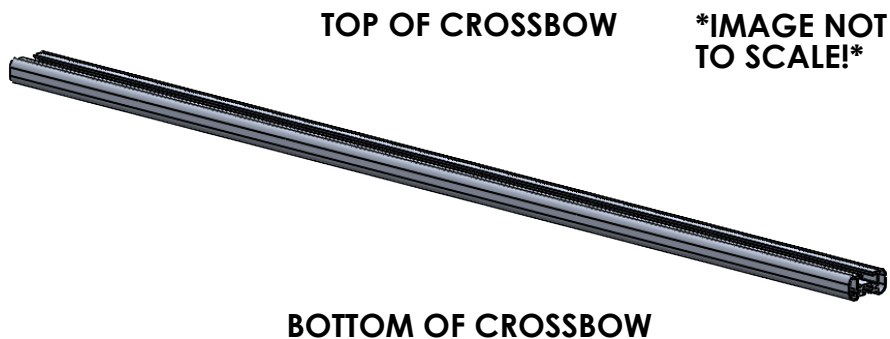


TABLE 1

TOP OF CROSSBOW

COMPONENTS TO INSTALL

A.1	HD UTILITY	- CONDUIT KIT OR BEACON
	Grip-Lock	- CONDUIT KIT OR BEACON
	ProLift	- CONDUIT KIT OR BEACON

BOTTOM OF CROSSBOW

COMPONENTS TO INSTALL

A.2	HD UTILITY	- LADDER STOP, STROBE BRACKET, AND/OR REAR ROLLER
	Grip-Lock	- Grip-Lock SUB-ASSEMBLY
	ProLift	- DAMPER BRACKET

STEP 1B. SUB-ASSEMBLE EACH CROSSBOW WITH DESIRED ACCESSORIES FOR SECTIONS B.1 & B.2. INSTRUCTIONS FOR EACH KIT CAN BE FOUND IN THEIR RESPECTIVE CARTON!



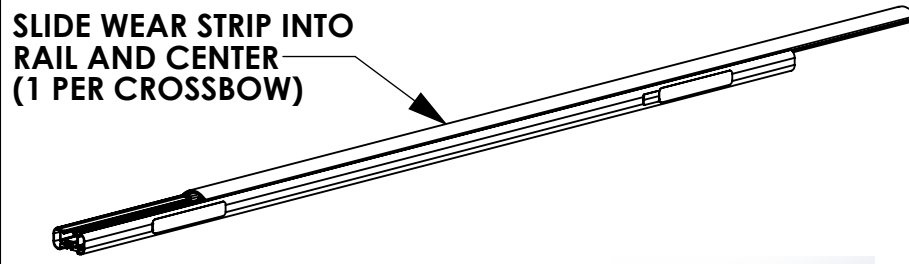
TABLE 2

TOP OF CROSSBOW		
COMPONENTS TO INSTALL		
B.1	HD UTILITY	- WEAR STRIP (MODIFY IF NECESSARY, TABLE 3)
	Grip-Lock	- WEAR STRIP (MODIFY IF NECESSARY, TABLE 3)
	ProLift	- INNER STOP POST
BOTTOM OF CROSSBOW		
COMPONENTS TO INSTALL		
B.2	HD UTILITY	- MOUNTING BRACKETS
	Grip-Lock	- MOUNTING BRACKETS
	ProLift	- MOUNTING BRACKETS

ALTER WEAR STRIP AND INSTALL ON CROSSBOW (IF APPLICABLE)! REFERENCE TABLE 3 BELOW FOR WEAR STRIP ALTERATION INSTRUCTIONS!

TABLE 3

ADDED ACCESSORIES	ALTERATION FOR WEAR STRIP
4" UPRIGHT***	REMOVE 2" FROM END OF WEAR STRIP
4" PVC CONDUIT KIT	REMOVE 7.25" FROM CENTER OF WEAR STRIP
6" PVC CONDUIT KIT	REMOVE 9.50" FROM CENTER OF WEAR STRIP
ALUMINUM BOX CONDUIT KIT	REMOVE 13.25" FROM CENTER OF WEAR STRIP
BEACON	REMOVE 4" FROM CENTER OF WEAR STRIP
ProLift (SINGLE SIDE)	CUT WEAR STRIP IN HALF, DO NOT INSTALL ON ProLift SIDE
ProLift (DUAL SIDE)	DO NOT INSTALL WEAR STRIP



SLIDE ONE SIDE OF WEAR STRIP INTO CROSSBOW, THEN ROLL OTHER SIDE TO SNAP STRIP INTO PLACE



STEP 1C SUB-ASSEMBLE EACH CROSSBOW WITH DESIRED ACCESSORIES FOR SECTIONS C.1 & C.2

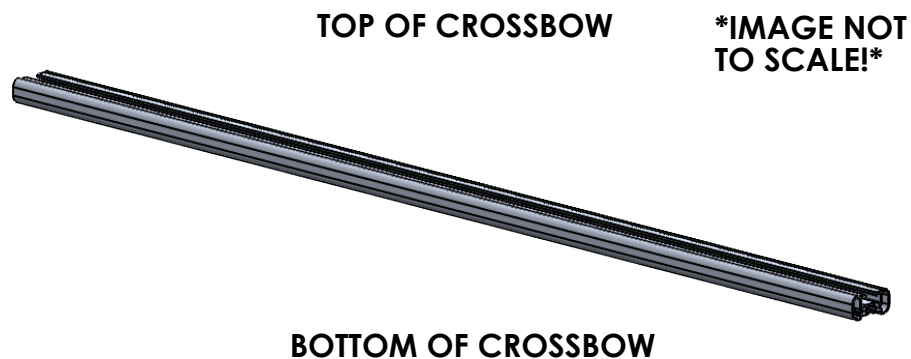


TABLE 4

TOP OF CROSSBOW		
COMPONENTS TO INSTALL		
C.1	HD UTILITY	- 4" UPRIGHT
	Grip-Lock	- N/A
	ProLift	- SLIDES FOR BASE EXTRUSION
BOTTOM OF CROSSBOW		
COMPONENTS TO INSTALL		
C.2	HD UTILITY	- UPRIGHTS (6", 9", RATCHET)
	Grip-Lock	- STROBES
	ProLift	- STROBES

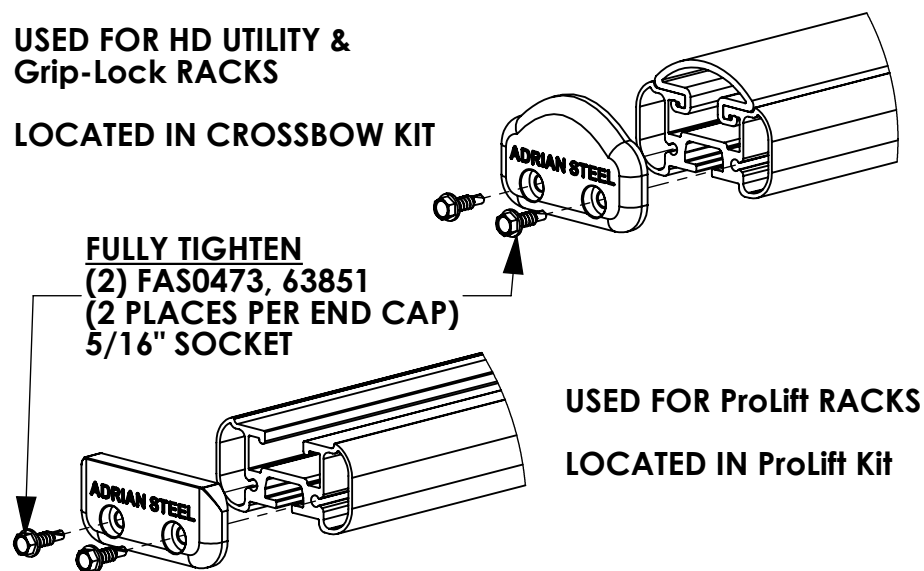
ASSEMBLY STEPS (FULL BENCH ASSEMBLY):

- 2T. ADD DRIVELINES (IF INSTALLING ProLift)
- 3T. ADD HANDLES (IF INSTALLING Grip-Lock OR ProLift) AND DAMPERS (IF INSTALLING ProLift)
- 4T. ADD OUTER SUPPORT BARS (IF INSTALLING Grip-Lock OR ProLift)
- 5T. ADD STEP LADDER KIT (Grip-Lock OR ProLift ONLY!)

6T. ASSEMBLE ENDS CAPS TO CROSSBOW

USED FOR HD UTILITY & Grip-Lock RACKS

LOCATED IN CROSSBOW KIT



FULLY TIGHTEN (2) FAS0473, 63851 (2 PLACES PER END CAP) 5/16" SOCKET

USED FOR ProLift RACKS
LOCATED IN ProLift Kit

7T. INSTALL ROOF RAIL KIT ON VEHICLE ROOF OR BOTTOM MOUNTING BRACKETS

(ROOF RAIL KIT REQUIRED FOR Grip-Lock & ProLift OPTIONAL FOR HD UTILITY, NOT NEEDED FOR GM LADDER RACKS)

8T. MOUNT CROSSBOW SUB-ASSEMBLIES FROM STEP 1 TO VEHICLE/MOUNTING BRACKET, OR ROOF RAIL (LOOSE INSTALL)

ALTERNATE ASSEMBLY METHOD!
(ASSEMBLE ON VEHICLE ROOF):

2R. INSTALL ROOF RAIL KIT ON VEHICLE ROOF OR BOTTOM MOUNTING BRACKETS

(ROOF RAIL KIT REQUIRED FOR Grip-Lock & ProLift, OPTIONAL FOR HD UTILITY, NOT NEEDED FOR GM LADDER RACKS)

3R. MOUNT CROSSBOW SUB-ASSEMBLIES FROM STEP 1 TO VEHICLE/MOUNTING BRACKET, OR ROOF RAIL (LOOSE INSTALL)

4R. ADD DRIVELINES (IF INSTALLING ProLift)

5R. ADD HANDLES (IF INSTALLING Grip-Lock OR ProLift) AND DAMPERS (IF INSTALLING ProLift)

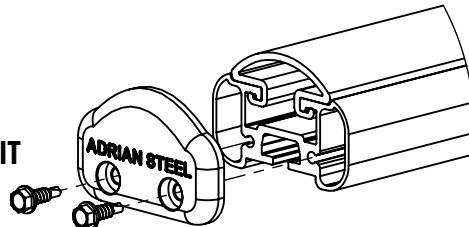
6R. ADD OUTER SUPPORT BARS (IF INSTALLING Grip-Lock OR ProLift)

7R. ADD STEP LADDER KIT (Grip-Lock OR ProLift ONLY!)

8R. ASSEMBLE END CAPS TO CROSSBOW

USED FOR HD UTILITY &
Grip-Lock RACKS

LOCATED IN CROSSBOW KIT



FULLY TIGHTEN
(2) FAS0473, 63851
(2 PLACES PER END CAP)
5/16" SOCKET

USED FOR ProLift RACKS
LOCATED IN ProLift Kit

