

# MERCEDES METRIS PARTITION



PRODUCT WEIGHT

**70 LBS**

WIDTH x DEPTH x HEIGHT

**63.5" x 12.75" x 53.25"**

CAPACITY

**N/A**

COLOR

**BLACK**

CATALOG NUMBER

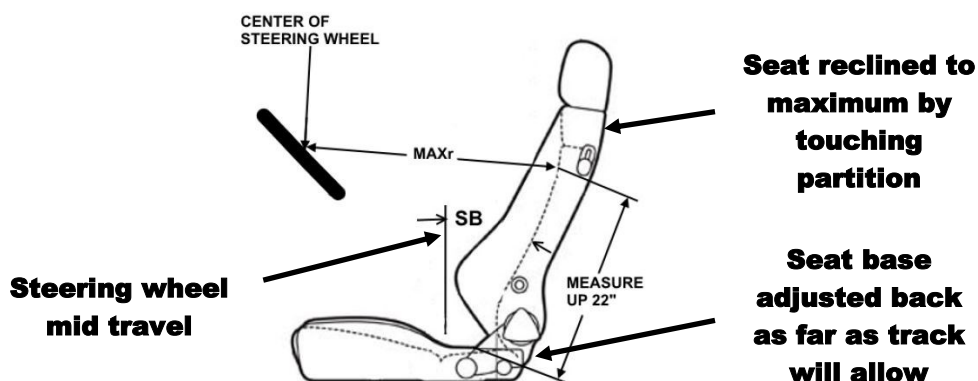
**PARMM-NW**

## PRODUCT FEATURES

Composite partition for Mercedes Metris provides a semi-sealed solution for separating the cab area from the cargo area. The composite partition features a full perimeter bulb seal that seals off the majority of the airflow from the cab area to the cargo area. This feature provides better climate control for the cab area and reduces noise transfer from the cargo area to the cab area.

**\*\* This will NOT work with dual side sliding door option \*\***

## Driver Comfort Details



	DESCRIPTION	DIMENSION
SB	SEAT BACK ANGLE	<b>14 degrees</b>
MAXr	MAXIMUM DRIVER REACH	<b>29-1/2"</b>

**SEE PAGE 2 FOR APPLICATION NOTES AND ACCESSORIES, OTHER PRODUCTS THAT WORK WITH THIS UNIT.**

**PAGE 1 of 2**

The information contained in this document is the sole property of ADRIAN STEEL COMPANY. ADRIAN STEEL COMPANY retains the right to modify and/or change the product of its design at any time without prior notification.

## Accessory Chart

	Cargo Side		Cab Side
	<b>Base Partition</b> BAGRKA1 REQUIRED (1 BAGRKA1 will allow for one accessory to be added)	<b>PARHDW Fastener Kit</b> Allow accessories to be added directly mounted to partition	<b>None available</b>
<b>Available Accessories</b>	-	-	-
PA7: Reflector kit	X	X	-
PA8: Fire ext.	X	X	-
PA9: First aid tray	X	X	-
PA10: Practice holder			-
PA11: Cab file			-
PA11NL: Catalog box			-
TA1: Four hook bar			-
TH30: 30lb tank holder			-
TH50: 50lb tank holder			-
UH50RM1: Rail mount kit			-
UH10: 1" hook			-
UH25: 2.5" hook			-
UH25CP-G: 2.5' hook comp			-
UH50: 5" hook	X		-

### PARHDW Fastener Kit

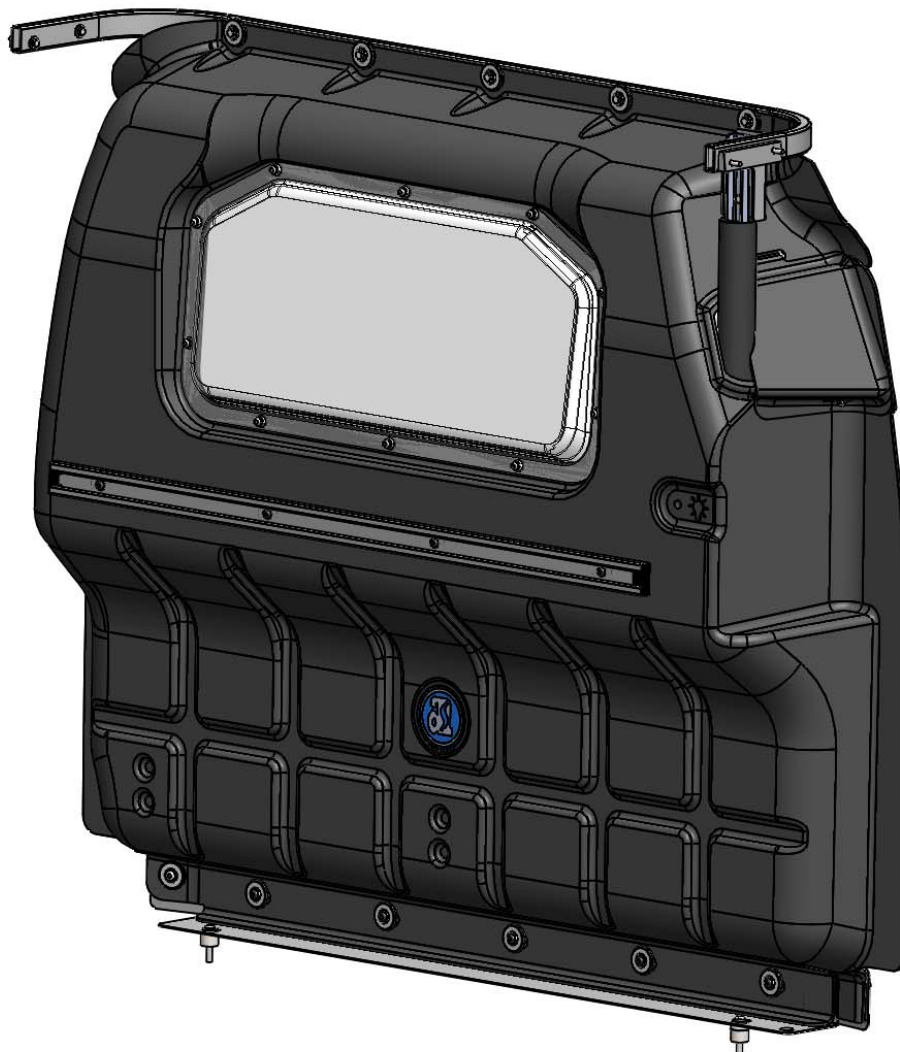
Fastener kits allow for installation of smaller and lighter (up to 12 lbs.) Allows accessories to be directly mounted to the partition, such as: fire extinguisher, flare kit, first aid kits, acc.

**Introduction / Comments:**

Composite partition for Mercedes Metris provides a semi-sealed solution for separating the cab area from the cargo area. The composite partition features a semi-full perimeter bulb seal that seals off the majority of the airflow from the cab area to the cargo area. This feature provides better climate control for the cab area and reduces noise transfer from the cargo area to the cab area.

**Note:**

It is advised that all fasteners used in this assembly and installation should be checked for tightness at the following intervals: @ 2-weeks and again @ 6-weeks of operation. This preventive maintenance step must be completed to ensure your product gives you long service life.



**COMP PAR, W/WDO, MM  
PARMM & PARMM-NW**

## - PRECAUTIONS -



CAUTION



THE USE OF AIR IMPACT TOOLS CAN OVER-TORQUE FASTENERS AND CAUSE FASTENER FAILURE!



CAUTION



ALL INSTALLATION HOLES SHOULD BE SEALED WITH SILICON OR BUTYL SEALANT TO PREVENT EXHAUST FUMES FROM ENTERING THE VEHICLE!



DANGER



INSPECT FOR FUEL TANK, FUEL LINES, BRAKE LINES, HIGH VOLTAGE BATTERIES AND ELECTRICAL LINES PRIOR TO DRILLING TO AVOID DAMAGING CRITICAL VEHICLE SYSTEMS OR INJURY TO INSTALLER DURING INSTALLATION PROCESS!



CAUTION

TO AVOID DAMAGING THE VEHICLE ALWAYS USE DRILL STOPS WHEN DRILLING ANY INSTALLATION HOLES!

ADRIAN AVAILABLE PART #'S 31119-0 (3/8" X 1/2" DEEP), 31121-0 (1/2" x 1/2" DEEP)



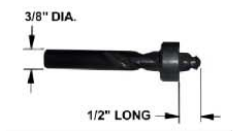
## - IMPORTANT WARRANTY REQUIREMENTS -

1. SUBSTITUTING ADRIAN STEEL SPECIFIED FASTENERS FOR ASSEMBLY AND/OR INSTALLATION WILL VOID YOUR PRODUCT WARRANTY.
2. ALL HOLES DRILLED INTO VEHICLE SHOULD HAVE THE RAW METAL EDGES SEALED WITH A SELF- ETCHING PRIMER TO RESIST CORROSION AND POTENTIAL FASTENER POINT FAILURE.
3. ALL FASTENERS USED IN THE INSTALLATION OF THIS PRODUCT SHOULD BE TIGHTENED TO THE TORQUE(S) SPECIFIED IN THESE INSTRUCTIONS.
4. THESE INSTRUCTIONS SHOULD BE KEPT WITH THE VEHICLE.

### THE BASIC TOOLS NEEDED FOR MOST INSTALLATIONS



DRILL



DRILL BIT WITH STOP



RATCHET, SOCKETS AND/OR WRENCHES



MEASURING TAPE

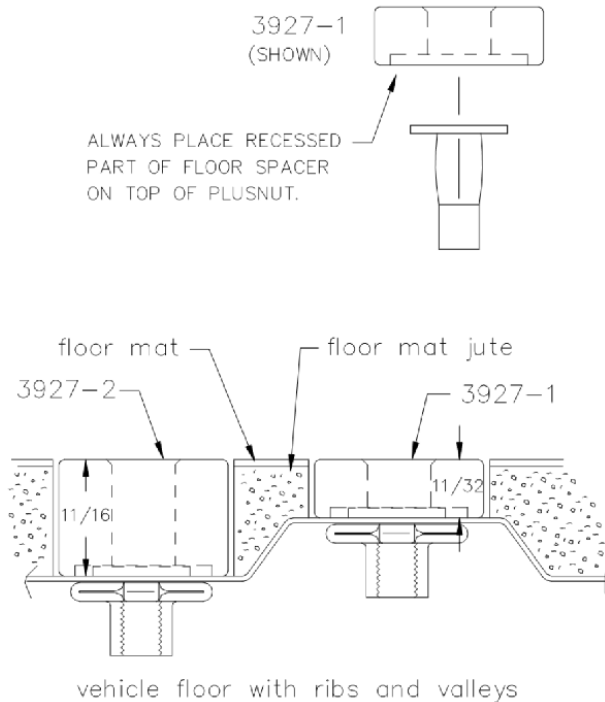


SCREWDRIVERS

ADDITIONAL TOOLS MAY BE NEEDED FOR THIS INSTALLATION AND THEY WILL BE IDENTIFIED IN THE STEPS THAT FOLLOW.

ADRIAN STEEL COMPANY • WWW.ADRIANSTEEL.COM • 906 JAMES STREET • ADRIAN, MI 49221 • 800-677-2726

If your vehicle contains carpet or a rubber floor mat you will need to prepare the mounting location. Position the product to be installed into the vehicle and once you are satisfied with the mounting locations, mark the mounting locations. Using a 1-3/16" diameter carpet cutter (P/N: 31183-0). Select the appropriate floor spacers as shown in the illustration. Set those aside for use later into the installation process. Using the correct drill bit size for the selected plusnut, drill the mounting holes in the vehicle sheet metal to prepare for installing the plusnuts. If you are thru-bolting at any of the locations simply drill a hole that is 1/16" larger than the bolt size(s) for those locations. Once you have drilled the holes into the vehicle, the raw metal edges should be sealed using a self-etching primer to resist corrosion and potential fastener point failure.



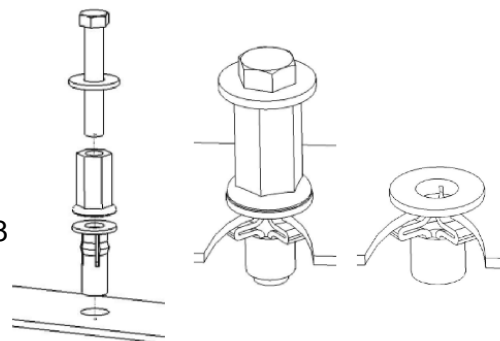
A PLUSNUT (RIVNUT) SETTING TOOL IS REQUIRED FOR PLUSNUT (RIVNUT) INSTALLATION . PLUS NUT SETTING TOOL CAN BE ORDERED THROUGH ADRIAN STEEL, OR USE AN AIR POWERED PLUSNUT SETTING GUN.

1/4-20UNC Plusnut (FAS0052) Use 3/8" dia. drill w/stop

- FAS0080 SCREW, HXHD, 1/4-20UNCx2.00", G8
- FAS0067 WASHER, FLAT, 1/4"ID
- 22200-0 PLUSNUT TOOL

5/16-18UNC Plusnut (FAS0091) Use 1/2" dia. drill w/stop

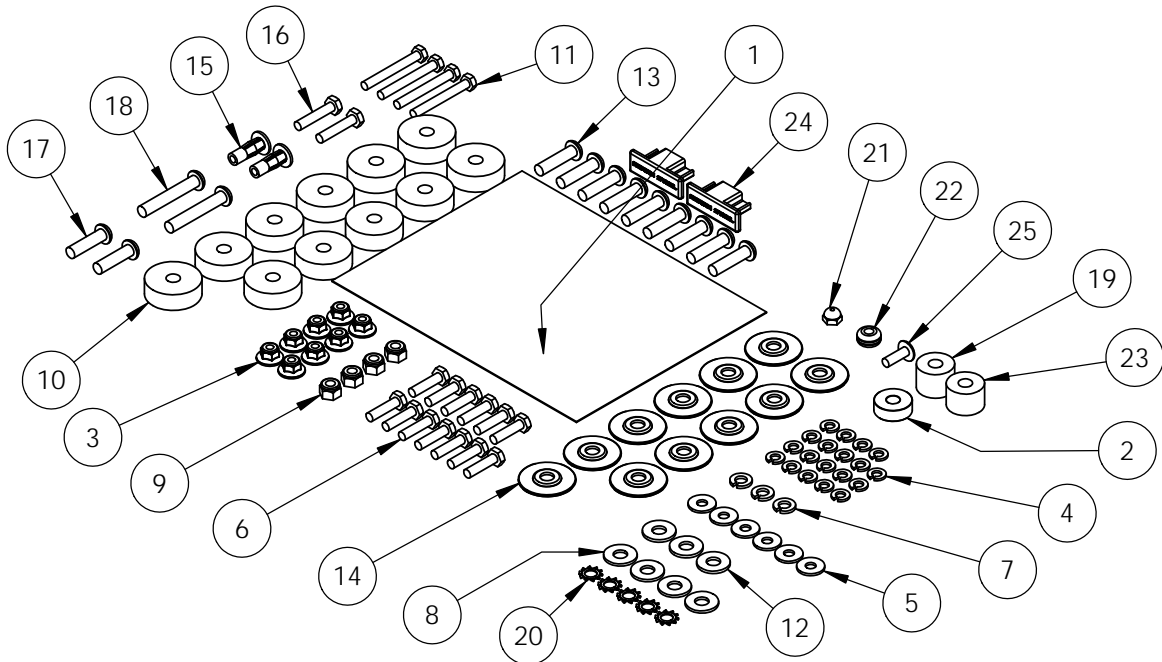
- FAS0095 SCREW, HXHD, 5/16-18UNCx2.00", G8
- FAS0086 WASHER, FLAT, 5/16"ID
- 22200-0 PLUSNUT TOOL



Place barrel of the plusnut body in sheet metal thru hole until flange is flush with sheet metal. Using a 9/16" combination wrench of plusnut tool body and a second hand wrench, ratchet, or air tool, rotate the hex bolt head CW to draw plus nut flanges up (set the plusnut).

**Installation and / or Assembly Fasteners**  
**BAG54268**

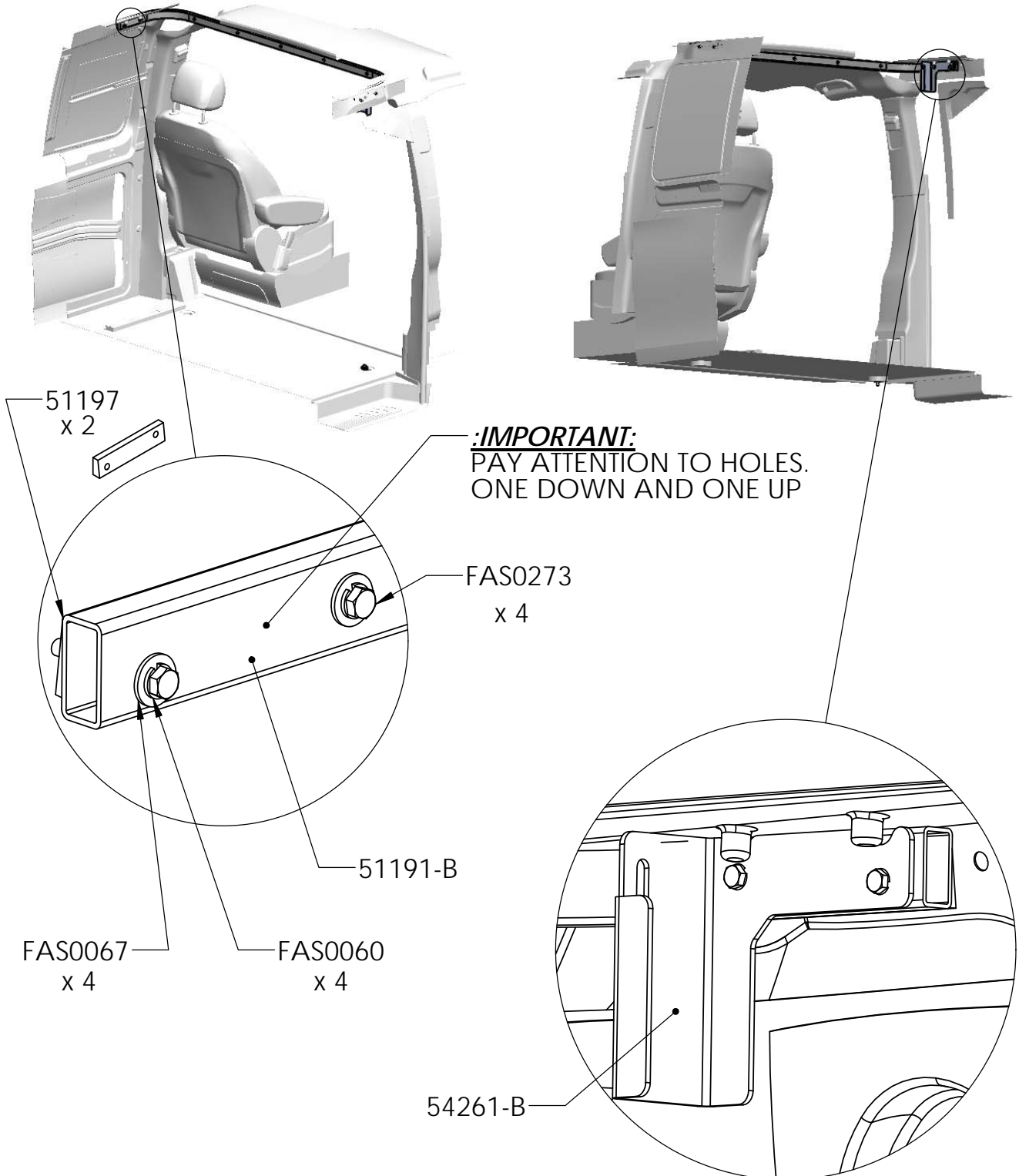
ITEM NO.	PART NUMBER	DESCRIPTION	QTY.
1	BAG0709-A	7" x 9" 3MIL AUTOBAG	1
2	03927-1	Floor Spacer Short	1
3	FAS0055	Nut, Hex Flange, Nylock 1/4-20	8
4	FAS0060	Washer, Lock, Split, 1/4	19
5	FAS0067	Washer, Flat, 1/4	6
6	FAS0078	Screw, Hex Hd, 1/4-20x1.00 Zn Plate, Grade 8	13
7	FAS0098	Washer, Lock, Split, 5/16, Zinc Plate	3
8	FAS0112	Washer, Flat, 5/16, NI ZN	4
9	FAS0248	Nut, Nylon Insert Lock, 5/16-18 SST	4
10	FAS0253	WASHER, FOAM RUBBER, 1.50X0.375X0.5	11
11	FAS0273	Screw, Hex Hd, M6x1X 50mm lg, Zn Plate, Class 10.9	4
12	FAS0552	Washer, Flat, 5/16, SST	3
13	FAS0708	Screw, Button Hd Hex Soc, 5/16-18X1.25, BLK OXIDE	9
14	FAS0833	WASHER, CUP FLANGED 1.5"	11
15	FAS0052	Plusnut, 1/4	2
16	FAS0073	Screw, Hex Hd, 1/4-20x1.25 Zn Plate, Grade 5	2
17	FAS0741	Screw, Button Hd Hex Soc, M8-1.25 X 30	2
18	FAS0742	Screw, Button Hd Hex Soc, M8-1.25 X 50	2
19	FAS0832	3/4" Floor Spacer	1
20	FAS0085	Washer, Lock, Ext. Tooth, 5/16	5
21	FAS0258	NUT ,ACORN 1/4-20 BK ZP	1
22	50938	GROMMET, BUNA-N 1/4X3/8	1
23	03927-2	Tall Floor Spacer	1
24	36496-0	END CAP	2
25	FAS0259	Screw, Truss Hd. Ph, 1/4-20x0.75	1



ADRIAN STEEL COMPANY • WWW.ADRIANSTEEL.COM • 906 JAMES STREET • ADRIAN, MI 49221 • 800-677-2726

**Step 01**

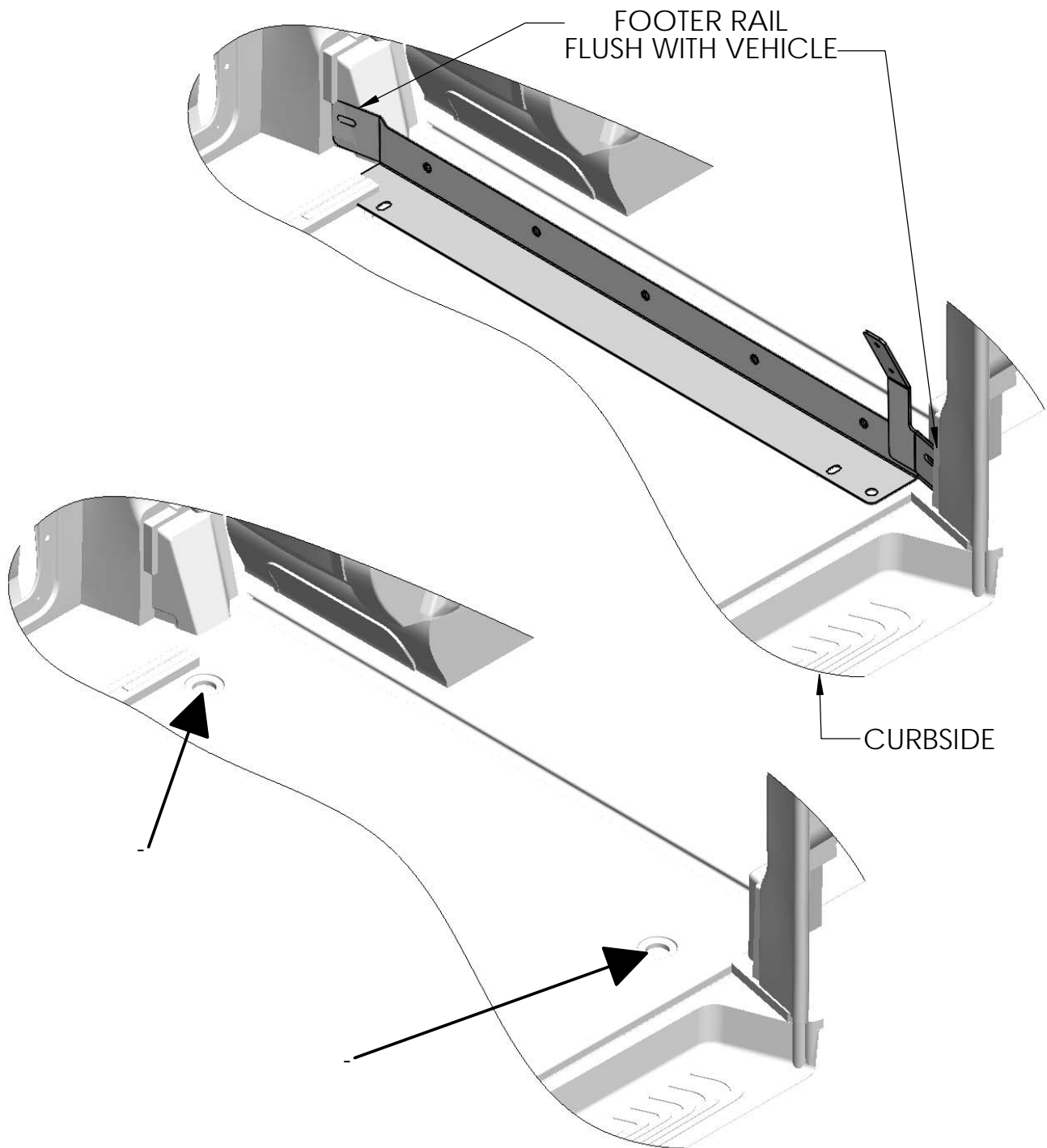
**Attach top bracket and CurbSide top bracket as shown. Plastic spacers will be needed for each side. Attach directly to OEM mounting holes. Suggestion: Attach CurbSide first then StreetSide.**





**Step 02**

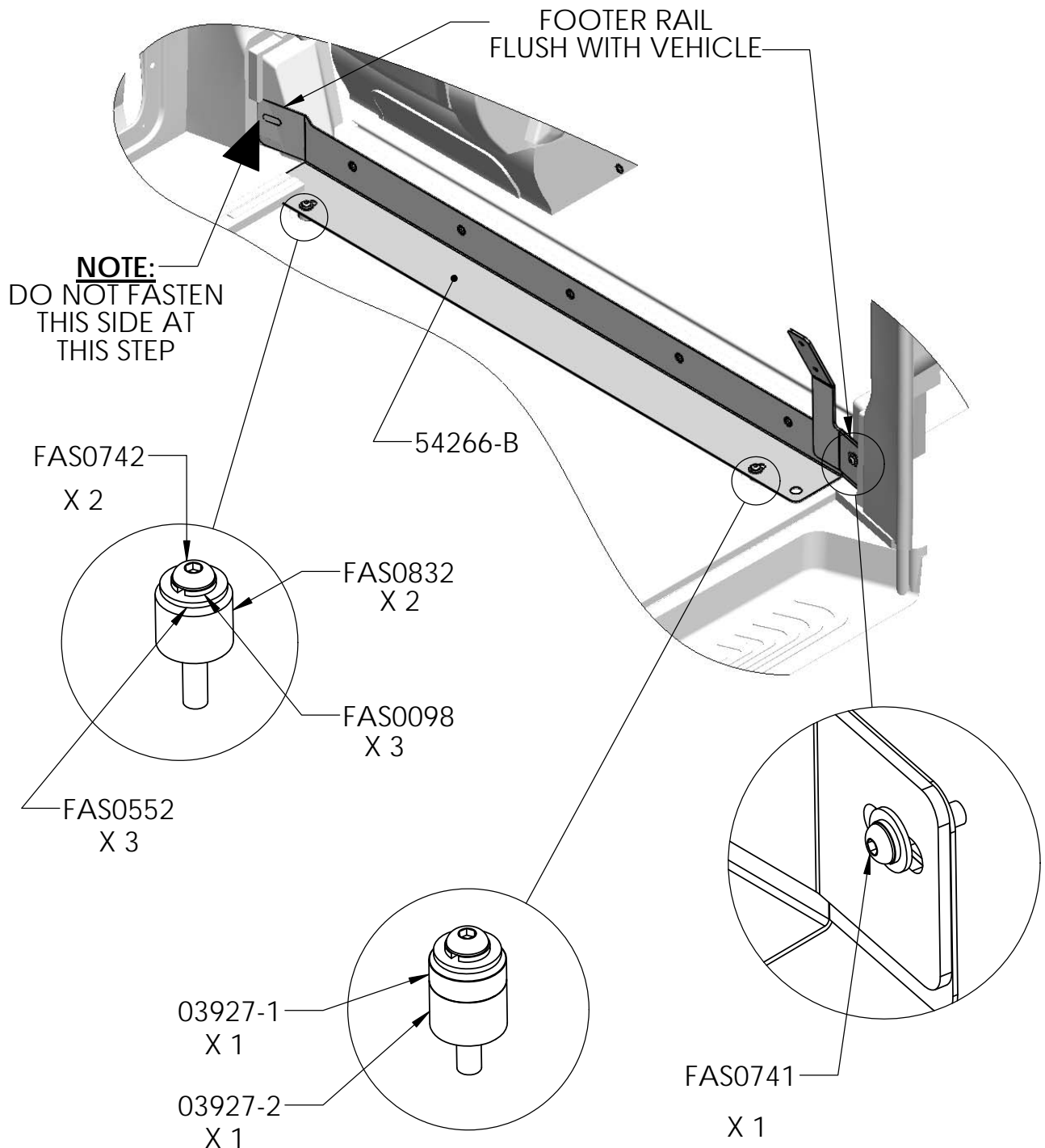
If your vehicle contains carpet or a rubber floor mat. Place footer rail in approximate place shown and mark two hole locations. Use a 1-3/16" hole saw (part # 31183-0) at the marked locations. Cut through the floor mat, but NOT the floor. (Or use previously validated drill jig) You should now see the OEM mounting holes.





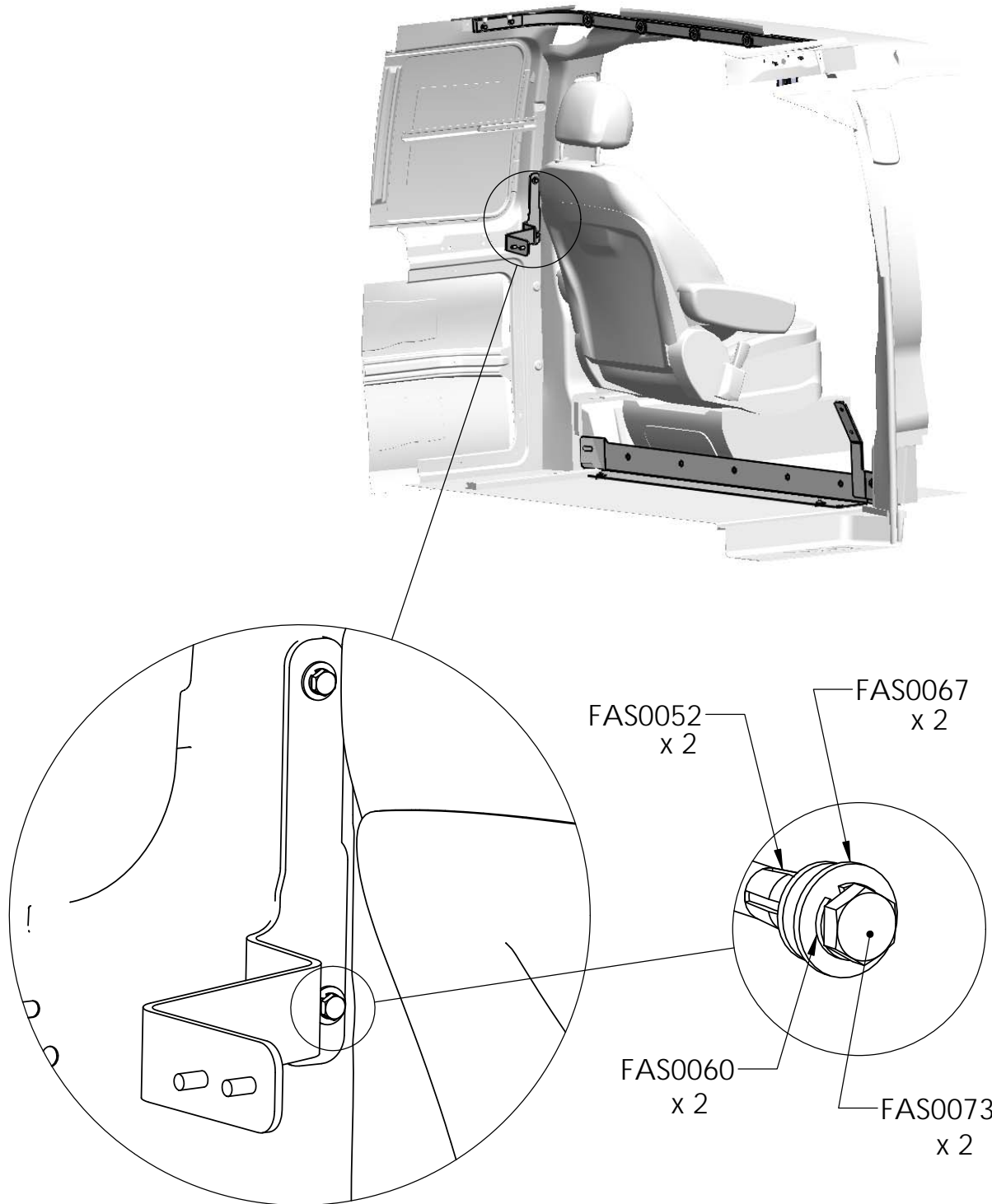
**Step 03**

Place one (1) tall spacer over OEM Street Side mounting hole then stack one (1) mid sized and one small sized spacer Over OEM Curb Side mounting hole. Fasten the footer rail to the vehicle as shown.



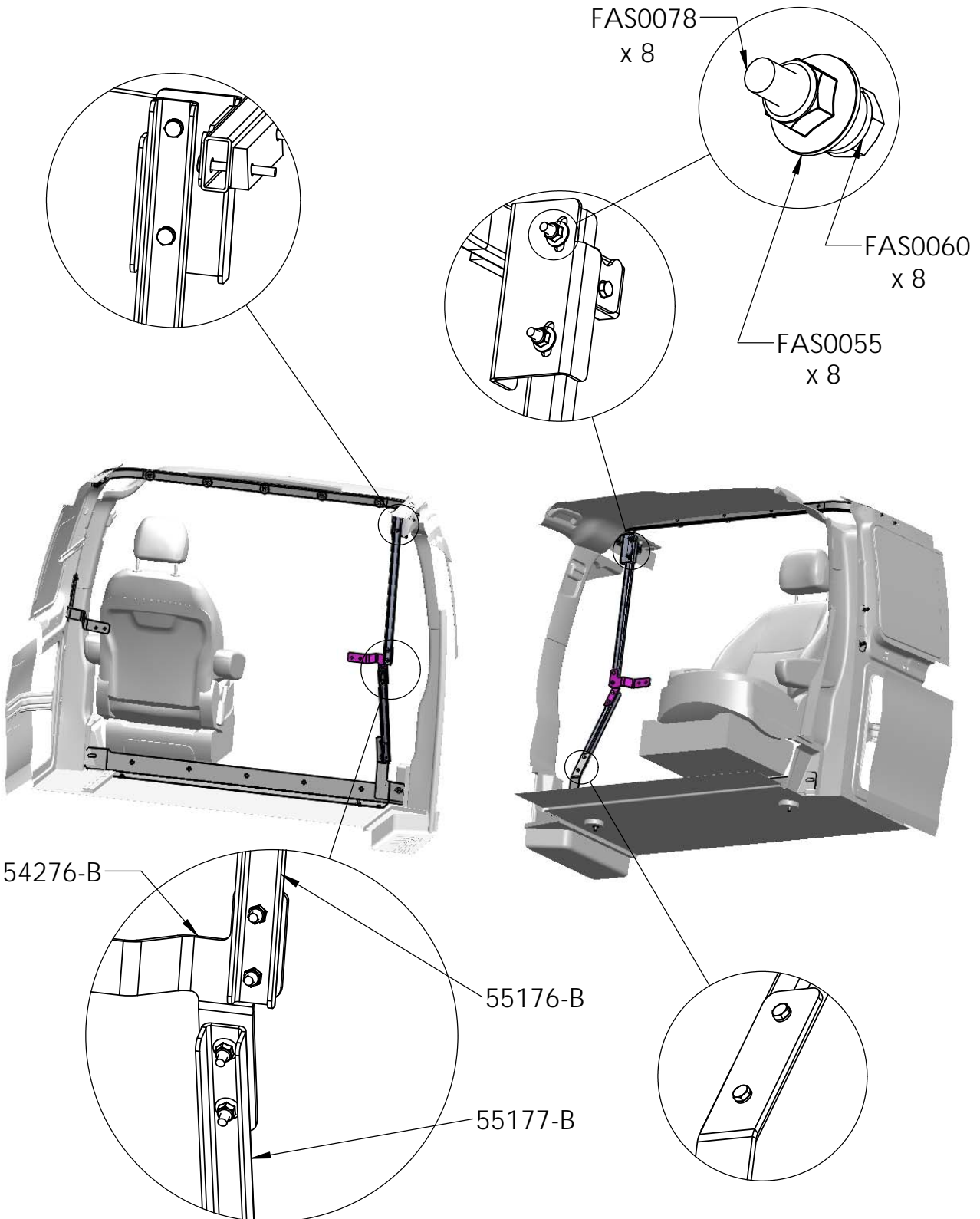
**Step 04**

**Find and drill out OEM holes on the StreetSide as shown for plusnuts. Use a 3/8" drill bit with stop then apply primer to the drilled holes. Insert plusnuts and set. Attach bracket.**



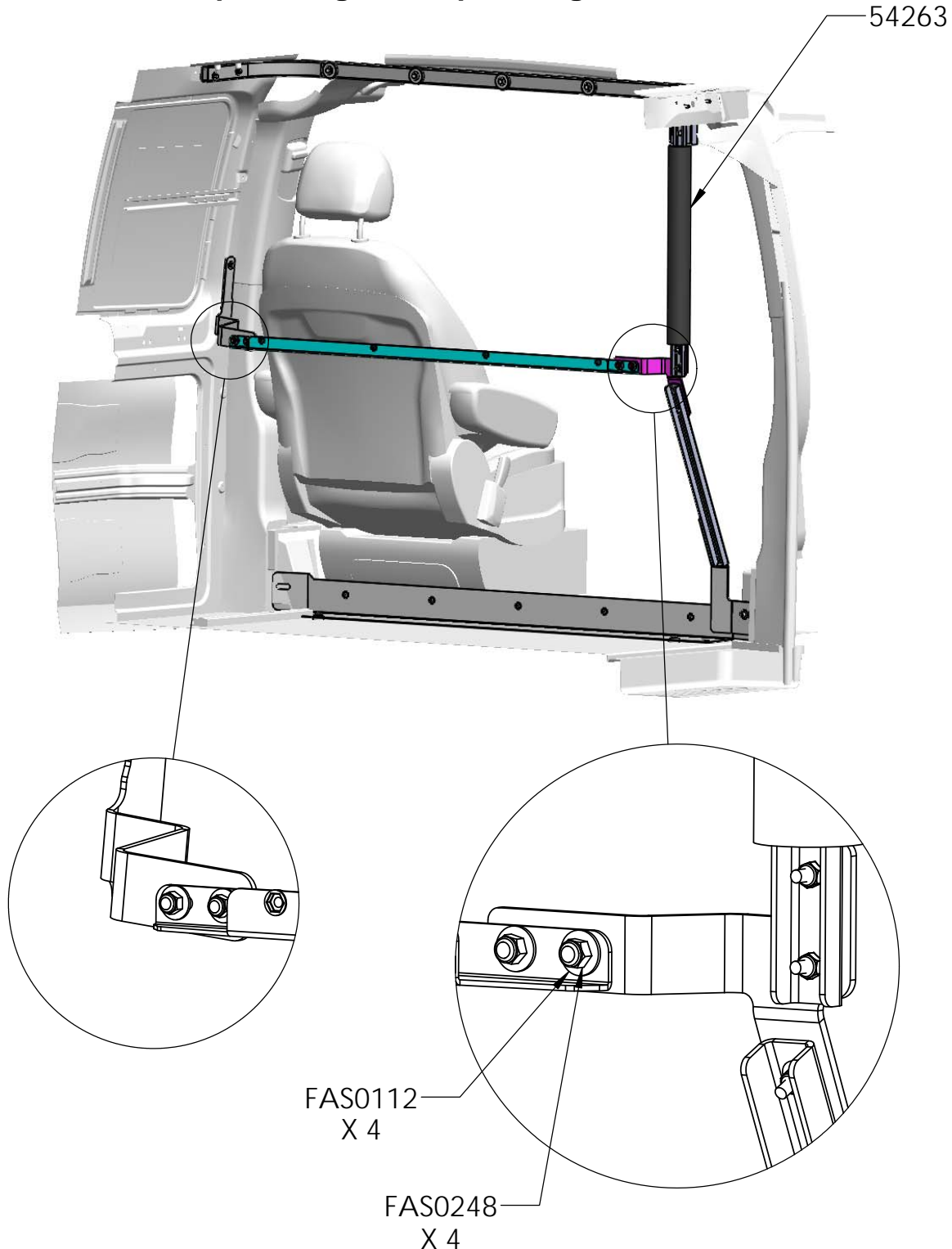
**Step 05**

**Assemble three (3) brackets together and attach to the top roof bracket and the footer rail as shown.**



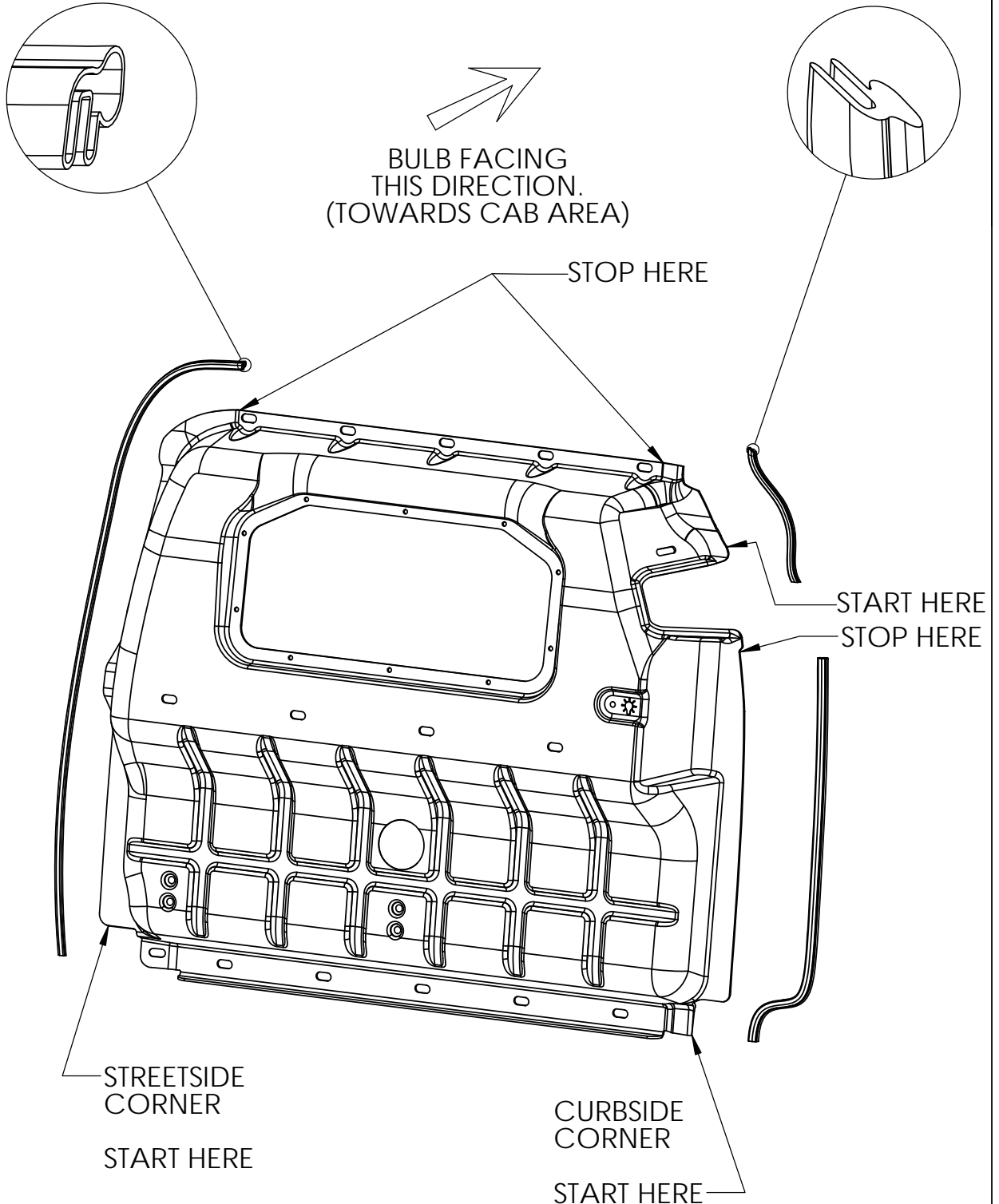
**Step 06**

**Attach cross support to clinch studs as shown. Then add pip insulation to vertical support. You will need to pull the laminate stripping away on the insulation. Line up the edges and push together to seal it.**



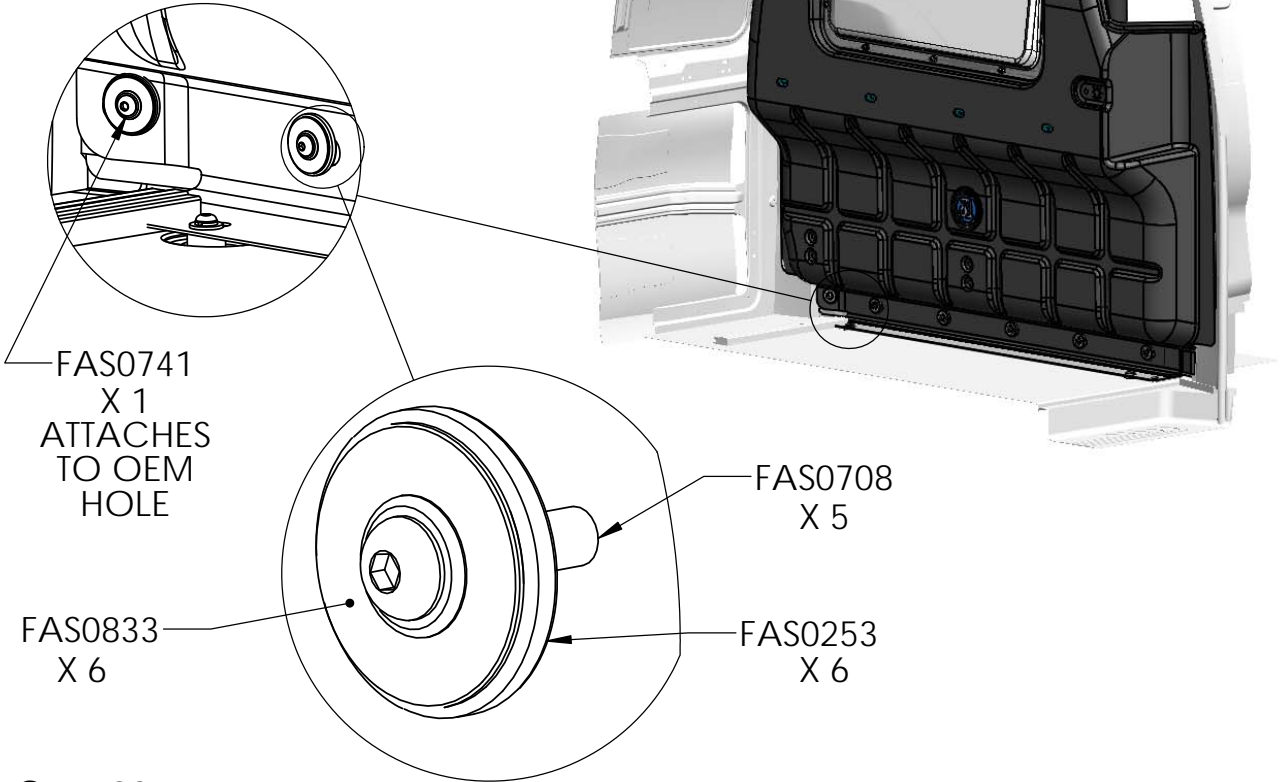
**Step 07**

**Cut Bulb seal in half. Place bulb seal to both sides of the partition as shown. Starting at the bottom corner and working up. Trim excess.**



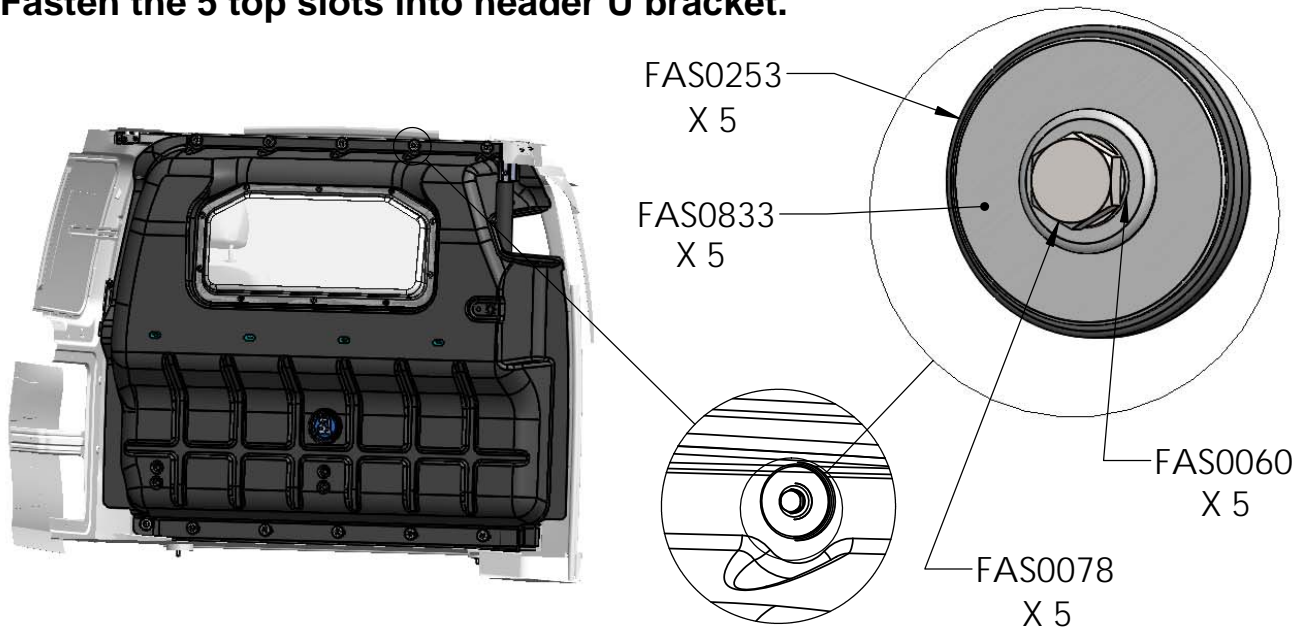
**Step 08**

Place partition into vehicle and fasten the 6 bottom slots into footer rail.



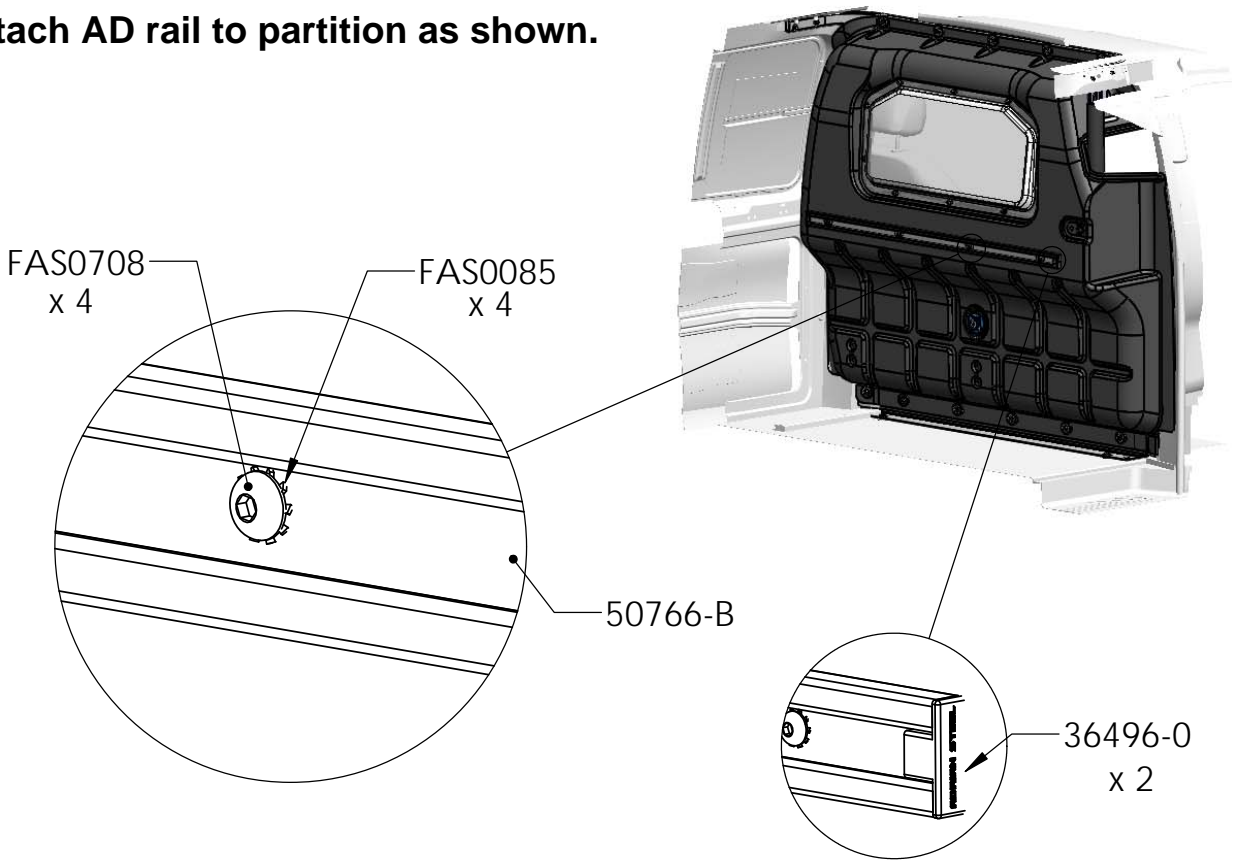
**Step 09**

Fasten the 5 top slots into header U bracket.



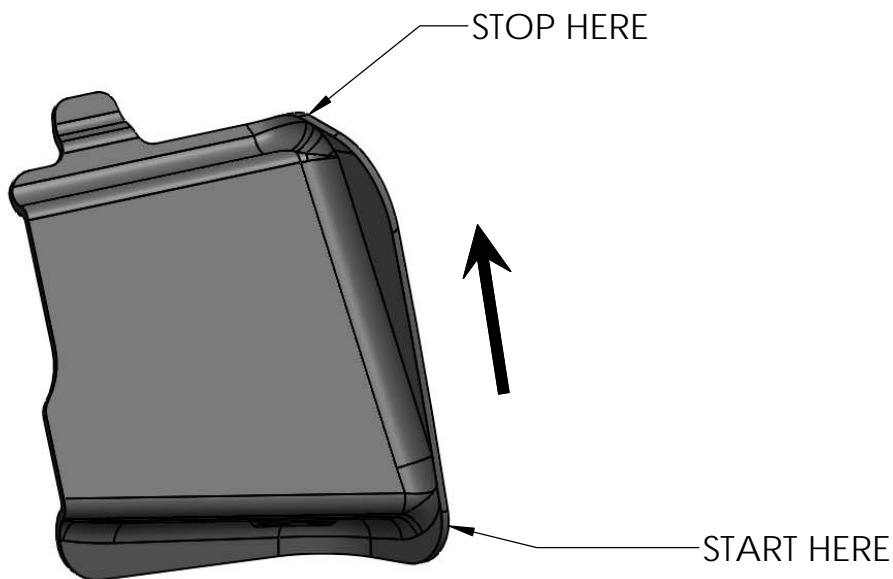
**Step 10**

**Attach AD rail to partition as shown.**



**Step 11**

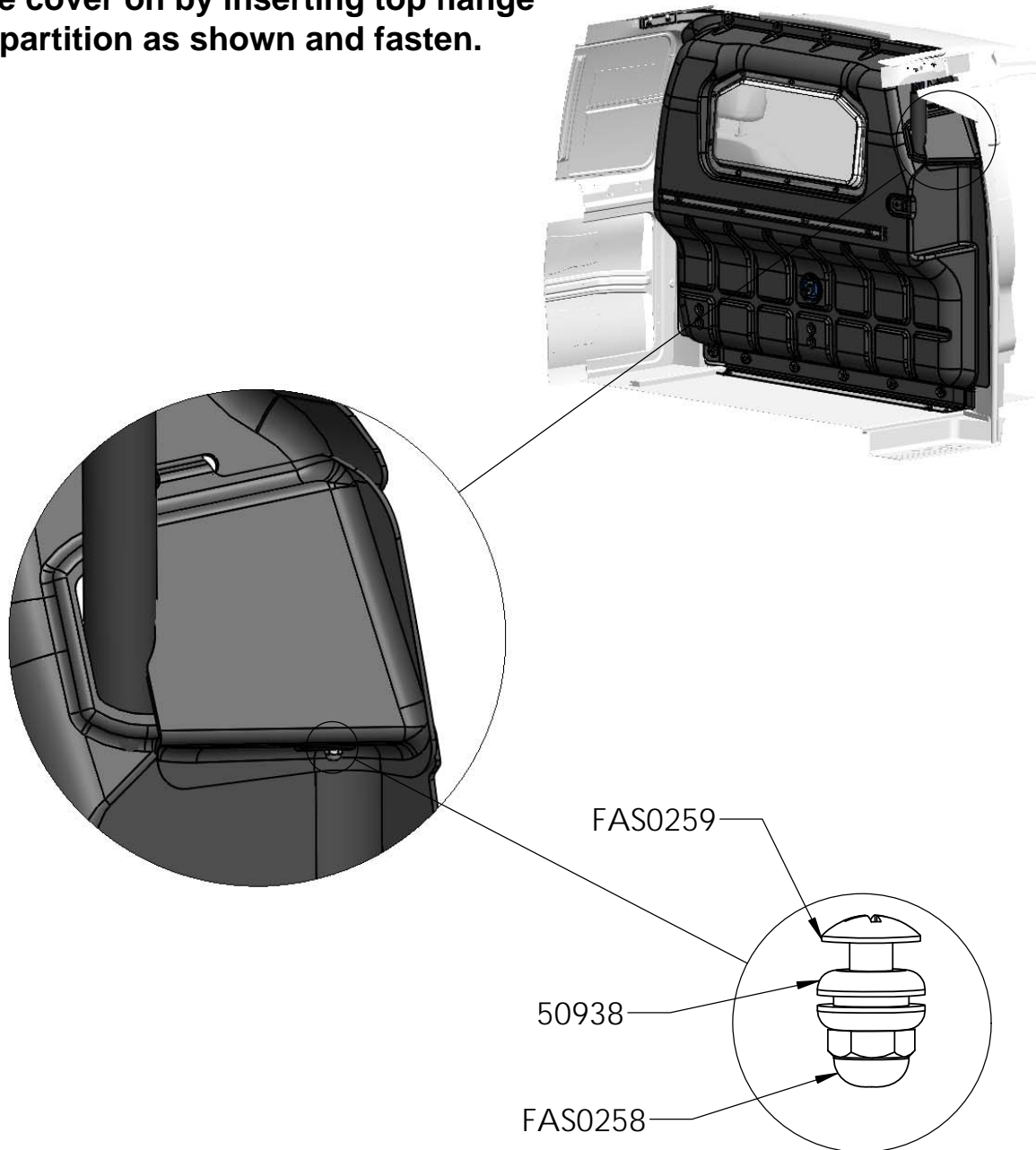
**Attach additional bulb seal on cover.**





**Step 12**

**Place cover on by inserting top flange into partition as shown and fasten.**



**YOUR INSTALLATION IS NOW COMPLETE.**

**DOUBLE CHECK ALL FASTENER LOCATIONS TO BE SURE THAT ALL  
FASTENERS ARE TIGHTENED TO SPECIFICATIONS.  
STOW THIS COPY IN THE VEHICLE FOR FUTURE REFERENCES!**