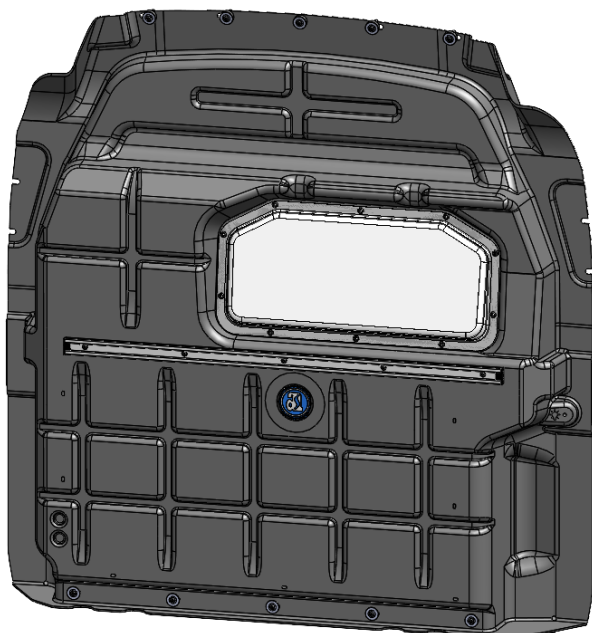


## FORD TRANSIT MID-ROOF PARTITION



PRODUCT WEIGHT

**73 LBS**

WIDTH x DEPTH x HEIGHT

**68.3" x 8.25" x 69.5"**

CAPACITY

**N/A**

COLOR

**BLACK**

CATALOG NUMBER

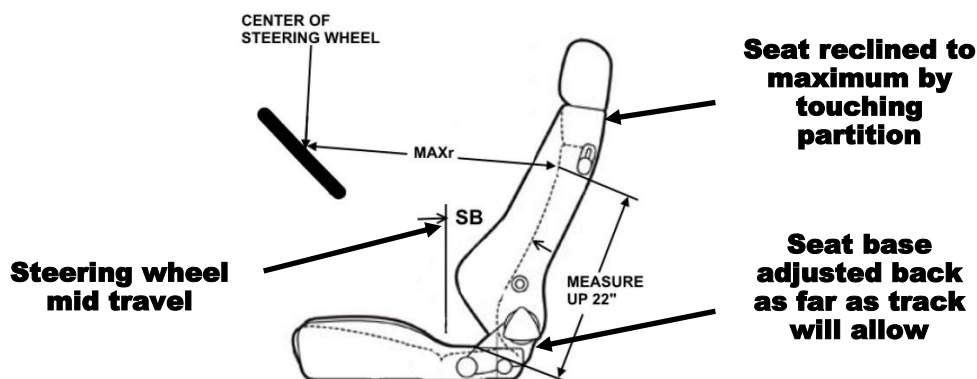
**PARFTM2-NW**

### PRODUCT FEATURES

Composite partition for FORD TRANSIT MID ROOF provides a semi-sealed solution for separating the cab area from the cargo area. The composite partition features a full perimeter bulb seal that seals off the majority of the airflow from the cab area to the cargo area. This feature provides better climate control for the cab area and reduces noise transfer from the cargo area to the cab area. This product is "No-Drill" and is compatible with the E-Transit model lineup.

**\*\* This WILL work with dual side sliding door option \*\***

### Driver Comfort Details



	DESCRIPTION	DIMENSION
SB	SEAT BACK ANGLE	<b>12 degrees</b>
MAXr	MAXIMUM DRIVER REACH	<b>31"</b>

**SEE PAGE 2 FOR APPLICATION NOTES AND ACCESSORIES, OTHER PRODUCTS THAT WORK WITH THIS UNIT.**

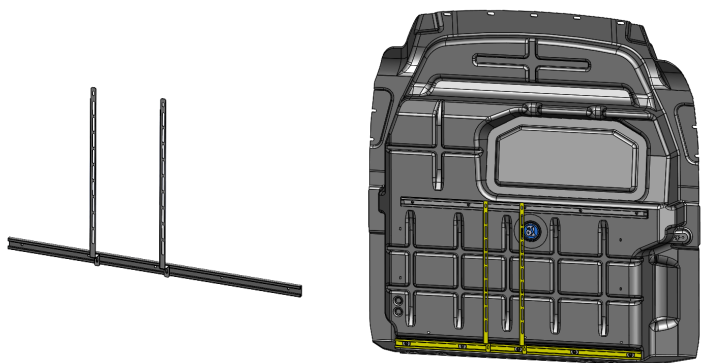
**PAGE 1 of 2**

The information contained in this document is the sole property of ADRIAN STEEL COMPANY. ADRIAN STEEL COMPANY retains the right to modify and/or change the product of its design at any time without prior notification.

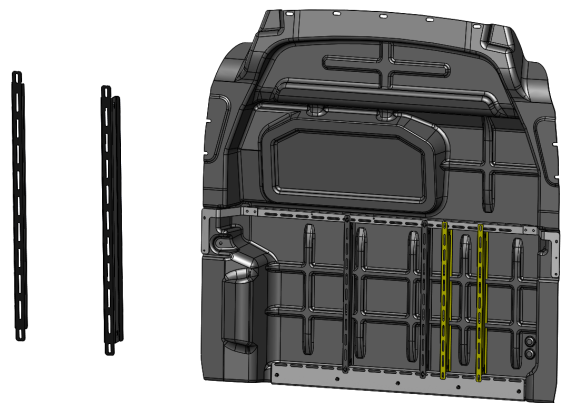
## Accessory Chart

	Cargo Side			Cab Side		
	<b>Base Partition</b> BAGRKA1 REQUIRED (1 BAGRKA1 will allow for one accessory to be added)	<b>PARHDW Fastener Kit</b> Allow accessories to be added directly mounted to partition	<b>PARFTMCRG</b> (mounting kit cargo side)	<b>Base Partition</b> 1/4" nuts and bolts REQUIRED	<b>PARHDW Fastener Kit</b> Allow accessories to be added directly mounted to partition	<b>PARFTMCAB</b> (mounting kit cab side)
<b>Available Accessories</b>	-	-	-	-	-	-
PA7: Reflector kit	X	X	X	X	X	X
PA8: Fire ext.	X	X	X	X	X	X
PA9: First aid tray	X	X	X	X	X	X
PA10: Practice holder			X			X
PA11: Cab file			X	X		X
PA11NL: Catalog box			X	X		X
TA1: Four hook bar			X			X
CCD6: Center console 6"						X
TDC6: Tech desk 6"						X
TH30: 30lb tank holder			X			
TH50: 50lb tank holder			X			
UH50RM1: Rail mount kit			X			X
UH10: 1" hook			X			
UH25: 2.5" hook			X			
UH25CP-G: 2.5' hook comp			X			
UH50: 5" hook	X		X			

**PARFTMCRG (shown in yellow)**  
Cargo side hardware mounting kit installed



**PARFTMCAB (shown below in yellow)**  
Cab side hardware mounting kit installed

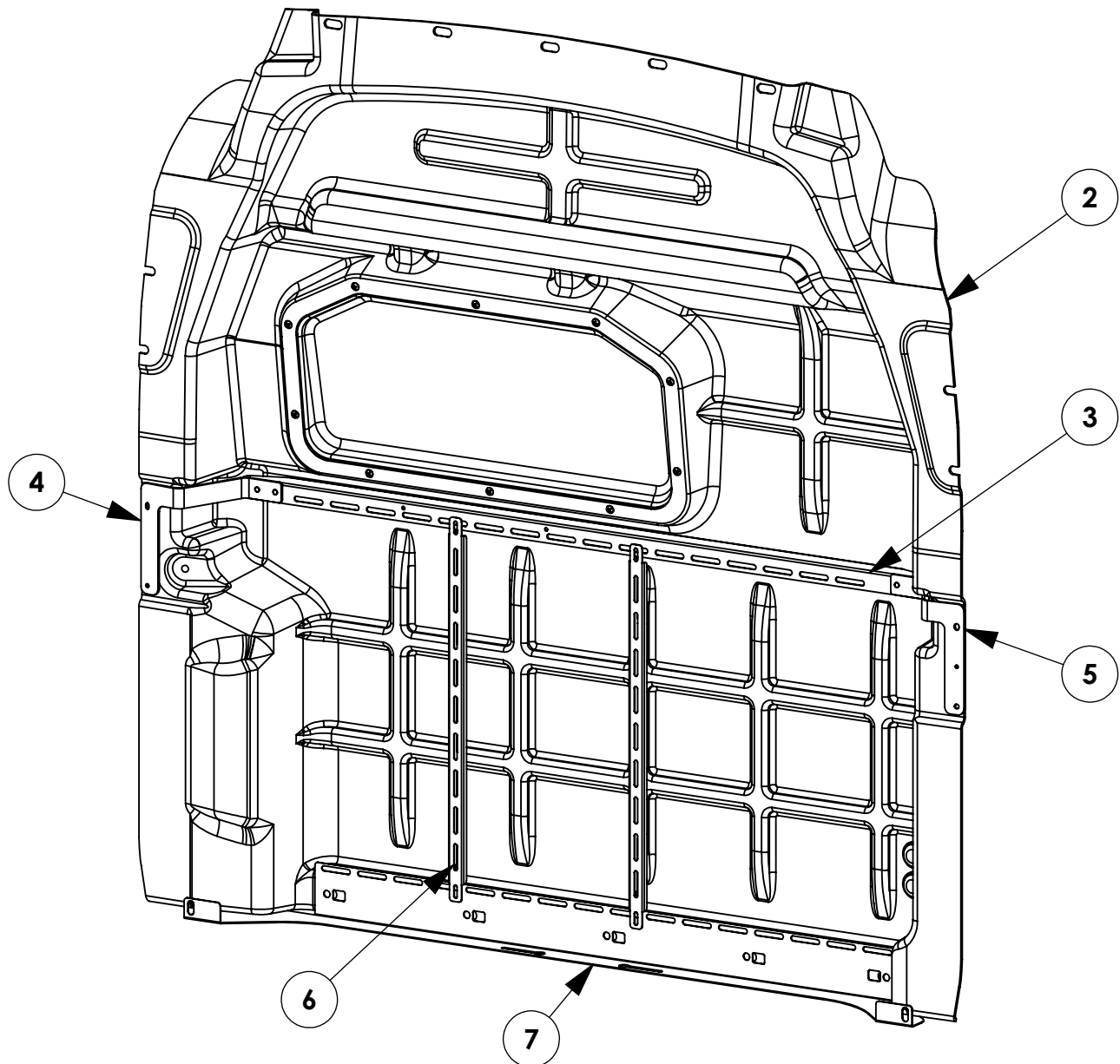


### PARHDW Fastener Kit

Fastener kits allow for installation of smaller and lighter (up to 12 lbs.) Allows accessories to be directly mounted to the partition, such as: fire extinguisher, flare kit, first aid kits, acc.

INSTR. NUMBER : 66992	PG: 1	REV: B	ITEM NO.	PART NUMBER	DESCRIPTION	QTY.
PART NUMBER : PARFTM2			1	50941	RAIL AD, PARFTL	1
			2	51774	PAR ASSM, W/WDO, FTM	1
PART DESC. : COMP PAR, W/WDO, FTM2			3	51777-B	CROSS CHANNEL ASSM	1
			4	51778-B	B-PILLAR BRKT ASSM, CS FTMR	1
NOTE: THIS INSTRUCTION IS ALSO VALID FOR PARFTM2-NW, PARFTH2, PARFTH2-NW. THE ONLY DIFFERENCE BEING THE PARTITION NUMBER.			5	51779-B	B-PILLAR BRKT ASSM, SS FTMR	1
			6	51782-B	ACC. MTG. CHANNEL, PARFTM	2
			7	66915-B	FOOTER, FTM, NO DRILL COMP, B	1

① IS NOT SHOWN IN THIS VIEW



**GET TO KNOW THE VEHICLE** - AT THE BEGINNING OF ANY INSTALLATION, CHECK THE LOCATION OF THE FUEL TANK, FUEL LINES, BRAKE LINES, HIGH VOLTAGE BATTERIES AND WIRING HARNESES TO AVOID INJURY OR PROPERTY DAMAGE FROM TOOL CONTACT.

**SEAL ALL EXTERIOR HOLES** - ALL INSTALLATION HOLES SHOULD BE SEALED WITH BUTYL TAPE OR SILICON TO PREVENT WATER AND EXHAUST GASES FROM ENTERING THE VEHICLE.

**CONTROL DRILL DEPTH** - TO AVOID DAMAGE TO THE VEHICLE, USE A DRILL STOP OR CLEARED STEP BIT WHEN DRILLING INSTALLATION HOLES.

**ALWAYS ADD PRIMER** - WHEN ADDING INSTALLATION HOLES BE SURE TO USE A SELF-ETCHING PRIMER TO PREVENT CORROSION, FASTENER FAILURE AND INJURY.

**MOUNTING POINTS MUST HAVE METAL-TO-METAL CONTACT** - USE PROVIDED MOUNTING SPACERS TO ACCOMMODATE FOR VEHICLE FEATURES, CARPET OR SUBFLOORS.

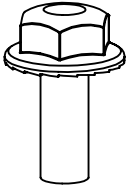
**PROVIDE CLEARANCE FOR SPACERS** - IF THE INSTALLATION VEHICLE CONTAINS A CARPET OR SUBFLOOR, USE A 1-3/16" DIAMETER CARPET CUTTER (P/N: 31183-0) AT ALL MOUNTING LOCATIONS TO OPEN UP ROOM FOR SPACERS.

**CHECK SPACER ORIENTATION** - BE SURE THAT THE INDENT IN THE SPACER COVERS THE PLUSNUT HEAD; THIS ENSURES THE MOST METAL-TO-METAL CONTACT AND REDUCES VIBRATION.

**PLUSNUT INSTALLATION** - A PLUSNUT GUN IS RECOMMENDED FOR PLUSNUT INSTALLATION FOR ITS PRODUCTION SPEED. HOWEVER, A PLUSNUT SETTING TOOL CAN ALSO BE USED (P/N: 22200-0).

**THRU-BOLT CLEARANCE** - WHEN USING A THRU-BOLT AT ANY MOUNTING LOCATION, BE SURE THAT YOUR HOLE HAS 1/16" CLEARANCE.

**FASTENERS USED**



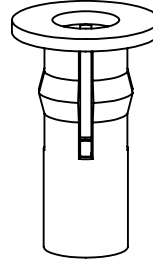
**FAS0018**  
1/4-20X.62 ZP  
HFLNG SCREW  
QTY: 4



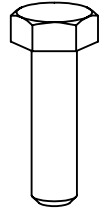
**FAS0066**  
1/4 ZP  
EXT LCK WASHER  
QTY: 4



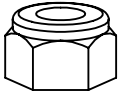
**FAS0085**  
5/16 ZP  
EXT LCK WASHER  
QTY: 17



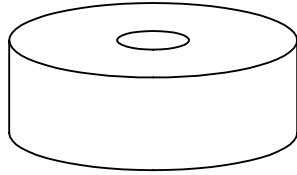
**FAS0091**  
5/16-18 PB  
PLUSNUT  
QTY: 7



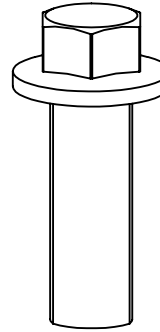
**FAS0187**  
M6-1.0X22 SS  
HH SCREW  
QTY: 4



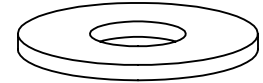
**FAS0248**  
5/16-18 SS  
NLK HEX NUT  
QTY: 4



**FAS0253**  
1.50X0.375X0.5  
IV-2 WASHER  
QTY: 10



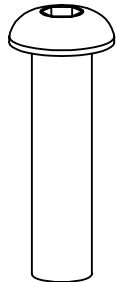
**FAS0408**  
7/16-20X1.63  
HH SCREW  
QTY: 2



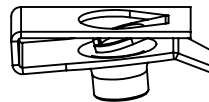
**FAS0482**  
7/16 ZP  
FLAT WASHER  
QTY: 2



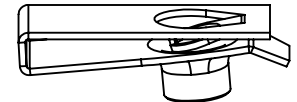
**FAS0552**  
1/4-20X.62 ZP  
HFLNG SCREW  
QTY: 6



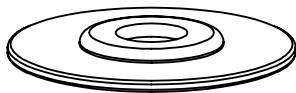
**FAS0708**  
5/16-18X1.25 ZP  
BHC SCREW  
QTY: 17



**FAS0711**  
1/4-20 PH  
SPRING CLIP  
QTY: 4



**FAS0752**  
5/16-18 PH  
SPRING CLIP  
QTY: 5



**FAS0833**  
1.5" FLANGED  
CUP WASHER  
QTY: 10



**36496-0**  
#2 EXTRA RAIL  
END CAP  
QTY: 2

**PREP VEHICLE**

**STEP 1 - REMOVE OEM GRAB HANDLE**



REMOVE OEM FASTENERS



HANDLE CAN BE SAVED FOR LATER RE-ASSEMBLY

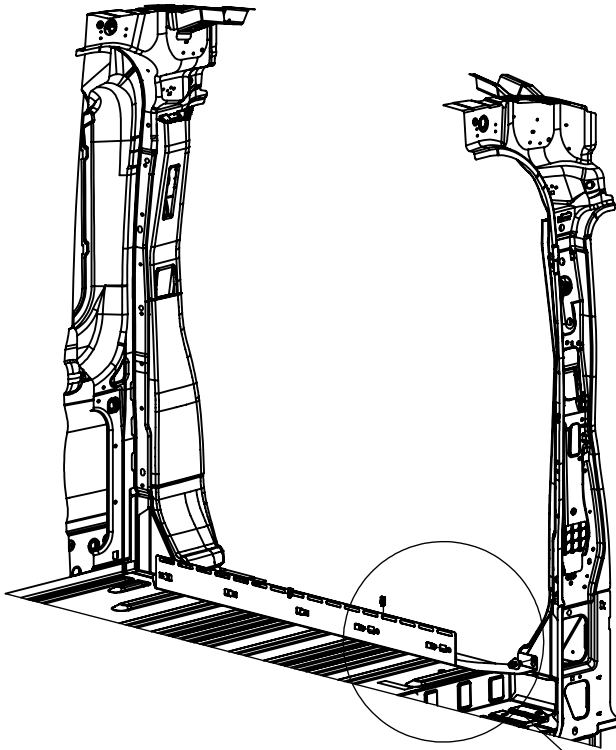
**STEP 2 - PREPARE DRIVER'S SIDE MOUNTING LOCATIONS**



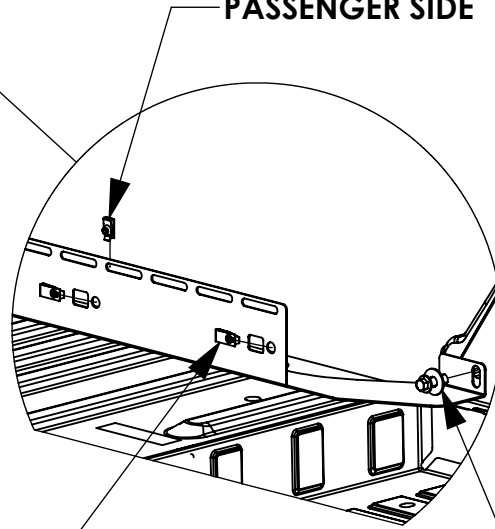
CHECK THESE (2) OEM HOLE LOCATIONS.  
IF IT COMES WITH M6 WELD NUTS, SKIP THIS STEP.  
- OR -  
IF THE HOLES ARE EMPTY, INSTALL FAS0091

**BEGIN INSTALLATION  
STEP 3 - INSTALL FOOTER**

NOTE: IF A FLOOR PLATE KIT IS INCLUDED IN THIS UPFIT, INSTALL THE FLOOR PLATE BEFORE THIS PARTITION FOOTER



**FAS0711 (SMALLER)  
(2 PLACES, FACING CABSIDE)  
4TH AND 9TH SLOT FROM  
PASSENGER SIDE**



**FAS0752 (LARGER)  
(5 PLACES FACING CARGOSIDE)**

**REMOVE OEM  
D-RING & REPLACE**

**- OR -**

**FAS0482, FAS0408  
(2 PLACES)  
1/2 SOCKET**

**STEP 4 - JIG HEADER HOLES**

**4A - MID ROOF**



**SET PARTITION PANEL AGAINST THE FOOTER AND  
MARK (5) HEADER HOLES FOR MOUNTING  
REMOVE AND DRILL OUT WITH 1/2" DRILL BIT**

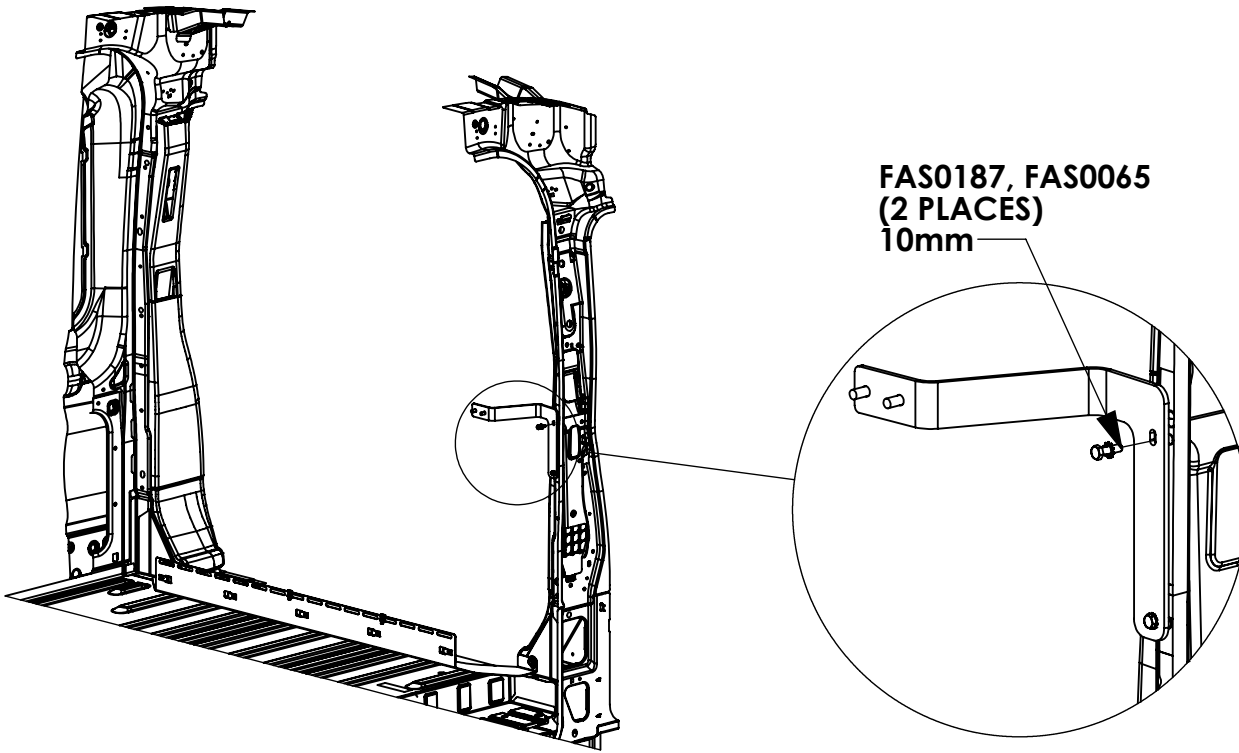
**4B - HIGH ROOF**



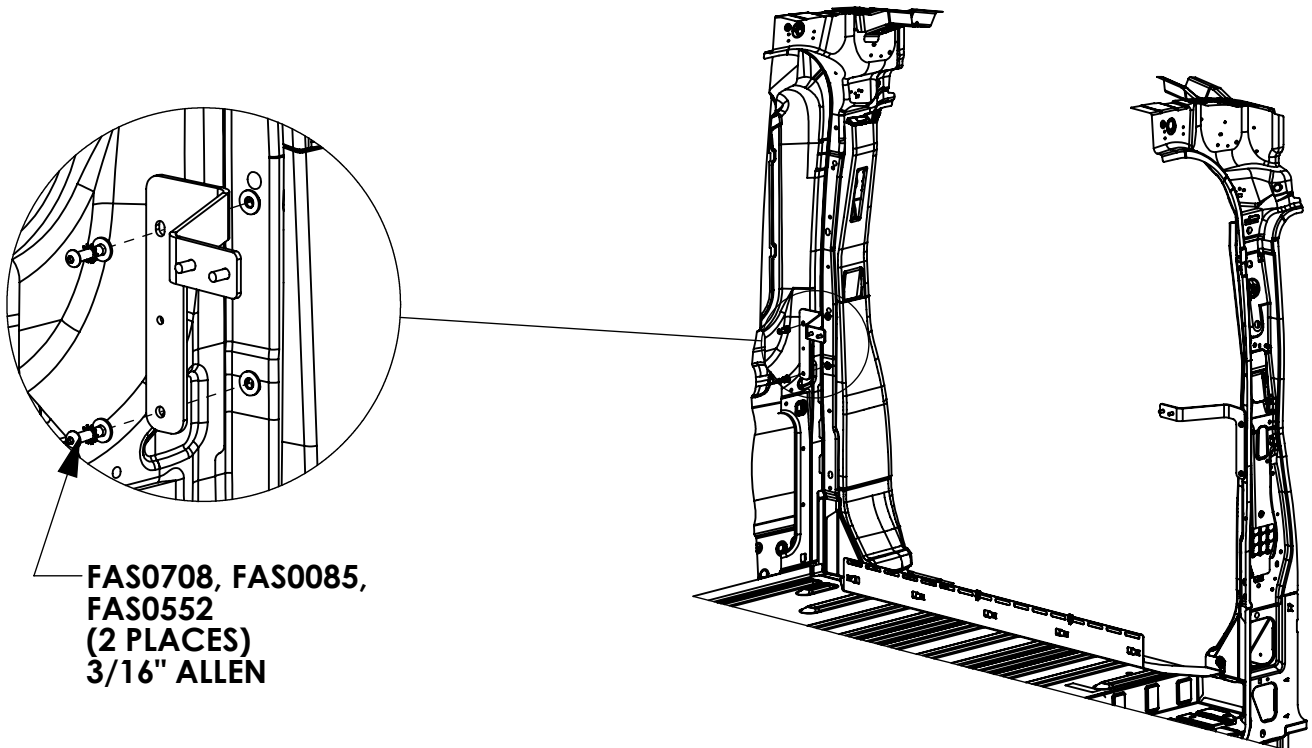
**SET PARTITION PANEL AGAINST THE FOOTER AND  
MARK (4) HEADER HOLES FOR MOUNTING  
REMOVE AND DRILL OUT WITH 1/2" DRILL BIT**



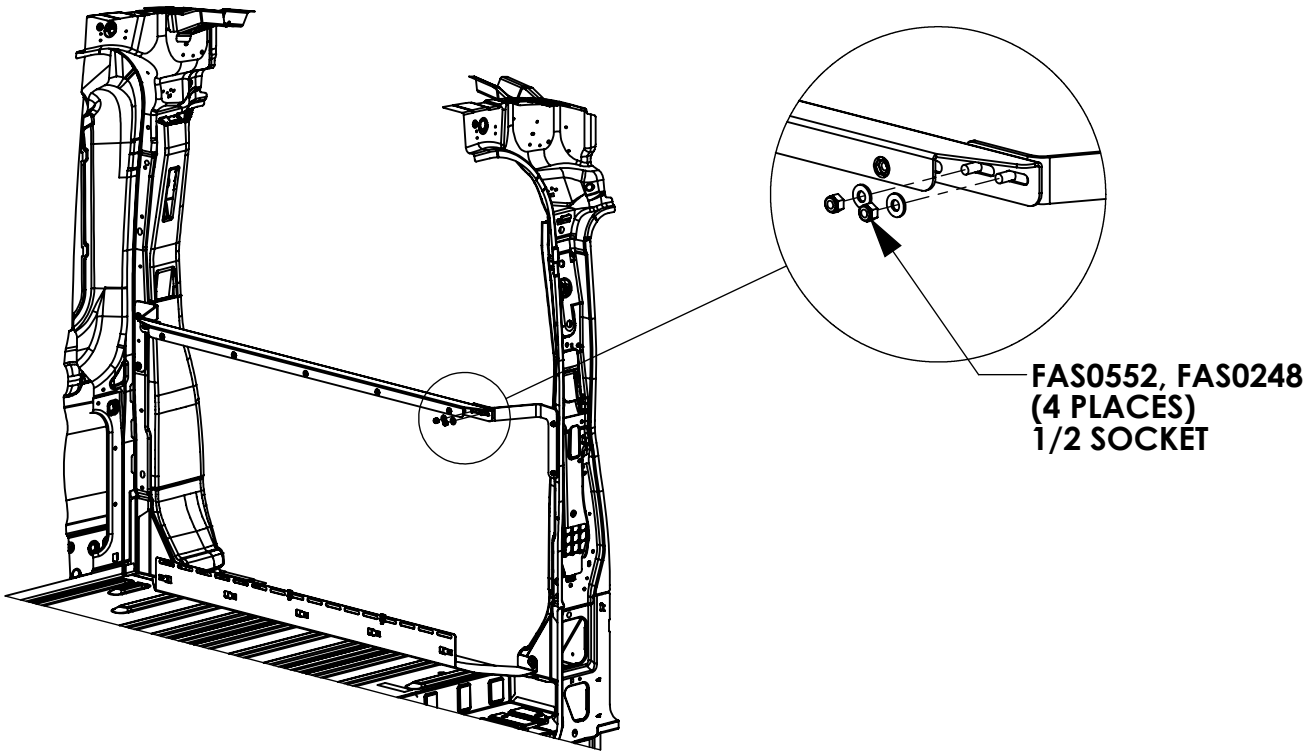
**STEP 5 - INSTALL PASSENGER'S SIDE MOUNTING BRACKET**



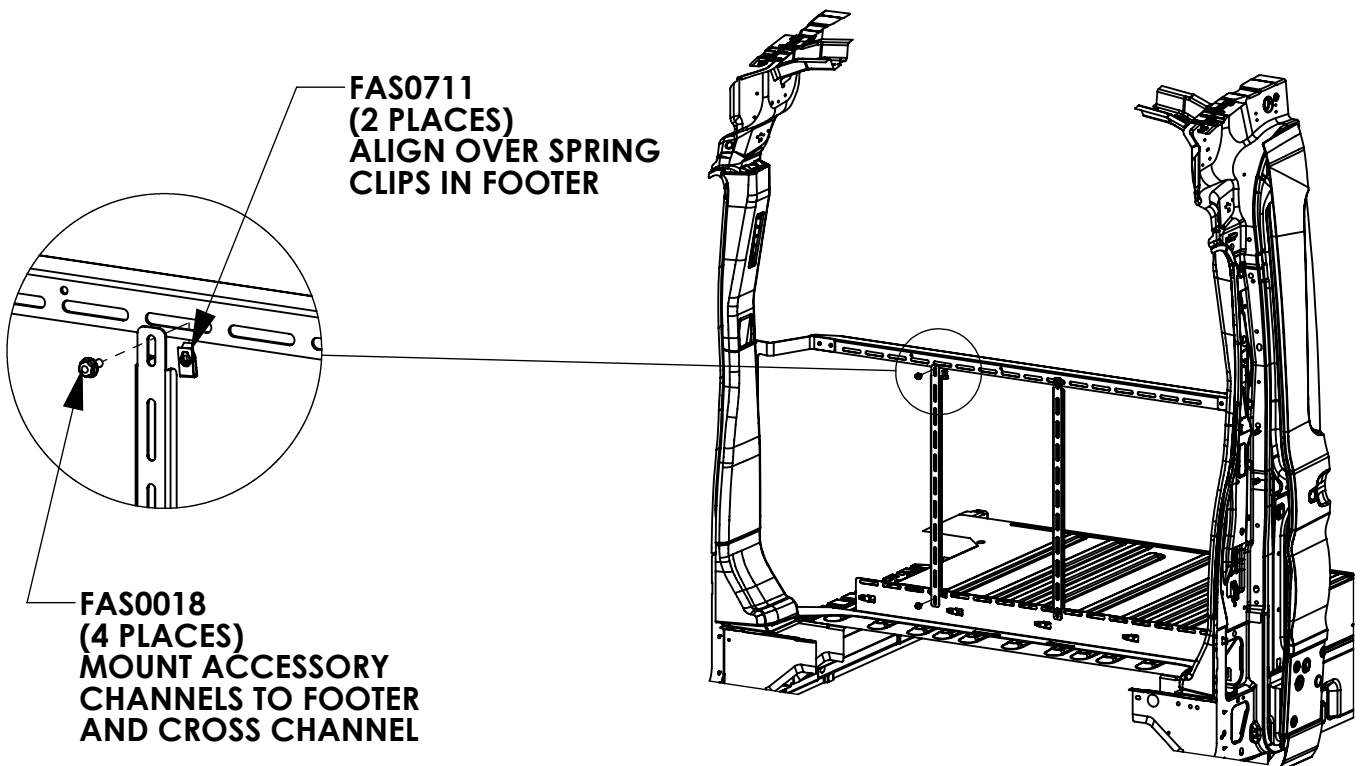
**STEP 6 - INSTALL DRIVER'S SIDE MOUNTING BRACKET**



**STEP 7 - INSTALL CROSS CHANNEL**



**STEP 8 - INSTALL ACCESSORY MOUNTING CHANNELS**



**STEP 9 - ASSEMBLE PINCHWELD**

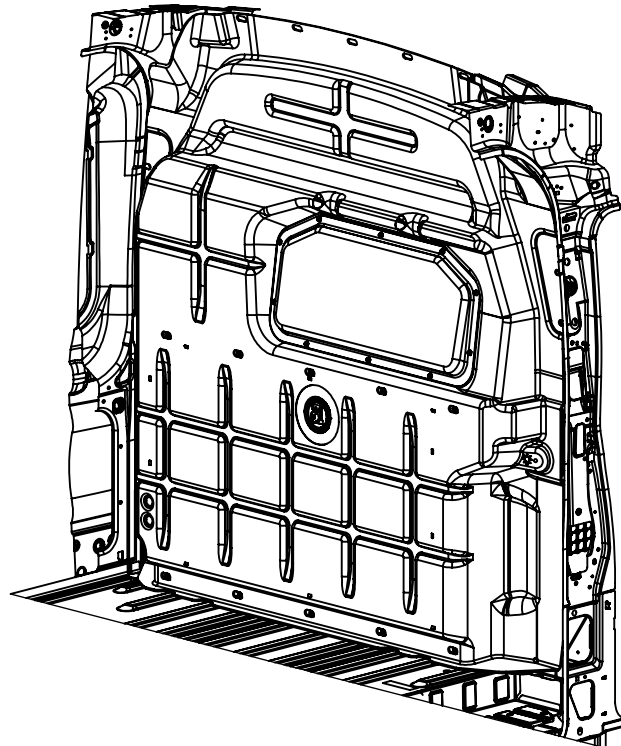
USE SMALL SEAL ON BOTH SIDES OF TOP

USE LARGE SEAL ON BOTH SIDES OF BOTTOM



**STEP 10 - PLANE PANEL INTO VEHICLE**

WHEN PUTTING PANEL IN VEHICLE,  
POSITION THE TOP FIRST TO PROVIDE  
BETTER FIT



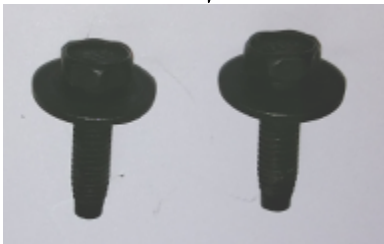
### STEP 11 - REPLACE OEM GRAB HANDLE



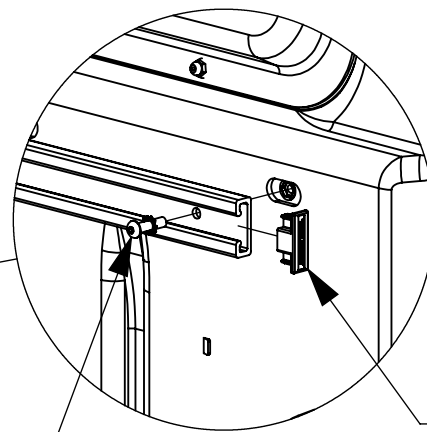
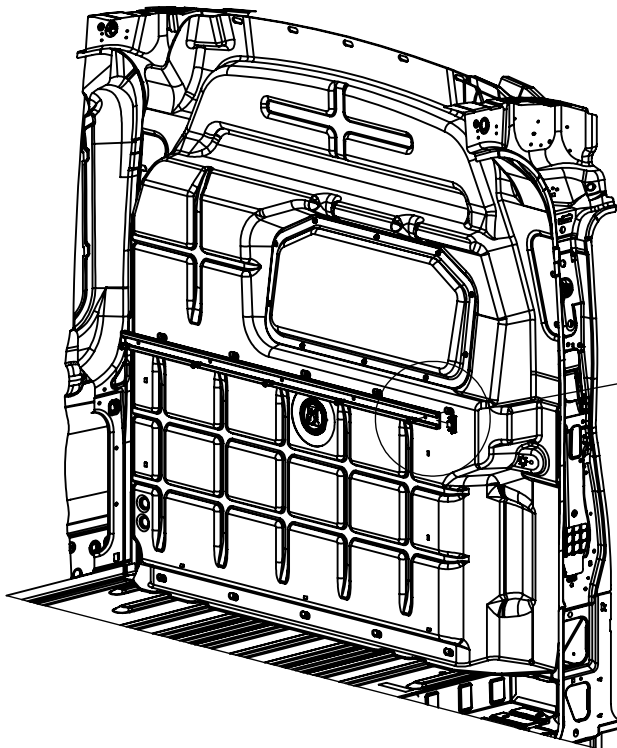
FIND GRAB HANDLE AND FASTENERS THAT WERE SAVED FROM BEGINING OF BUILD



TIGHTEN FASTENERS DOWN IN OEM MOUNTING HOLES



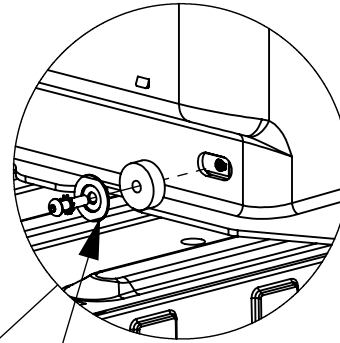
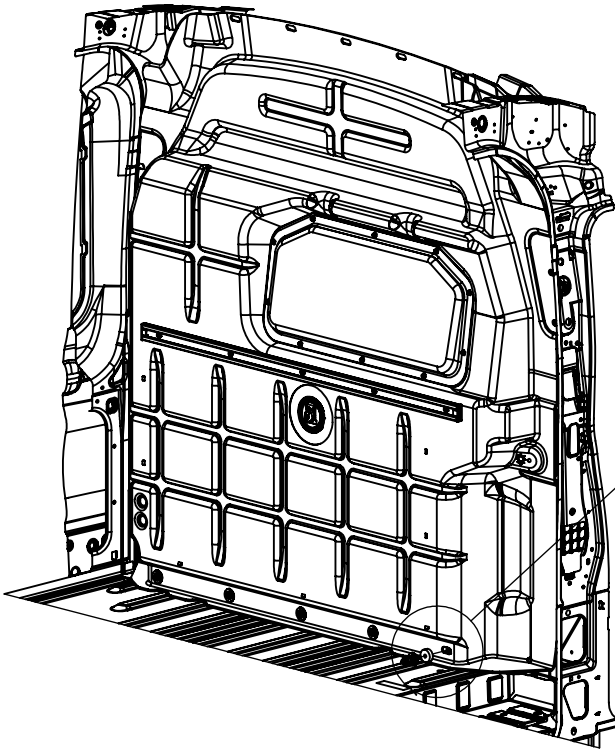
### STEP 12 - INSTALL RETENTION RAIL



FAS0708, FAS0085  
(5 PLACES)  
3/16" ALLEN

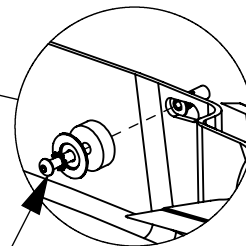
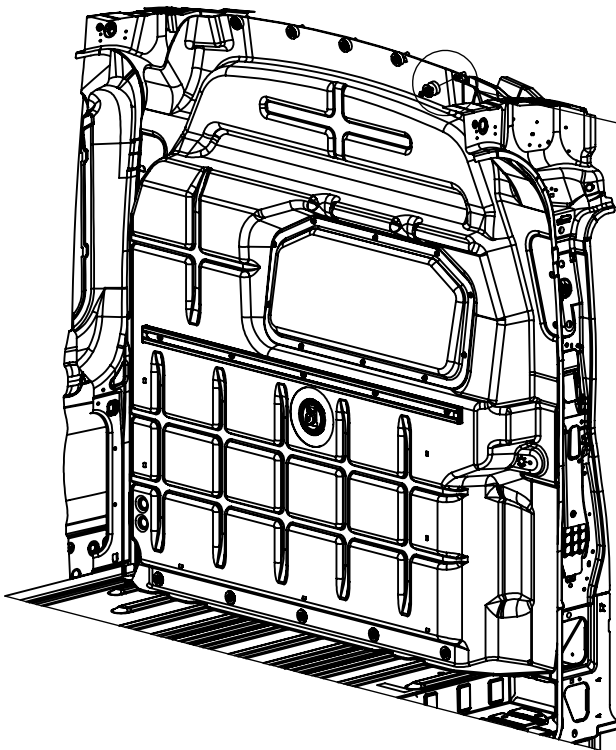
36496-0  
(2 PLACES)

**STEP 13 - MOUNT FOOTER FASTENERS**



**FAS0708, FAS0085,  
FAS0833, FAS0253  
(5 PLACES)  
3/16" ALLEN**

**STEP 14 - MOUNT HEADER FASTENERS**



**FAS0708, FAS0085,  
FAS0833, FAS0253  
(5 PLACES)  
3/16" ALLEN**