

APPLICATION OF UNIVERSAL MOUNTING BRACKET #8308-0

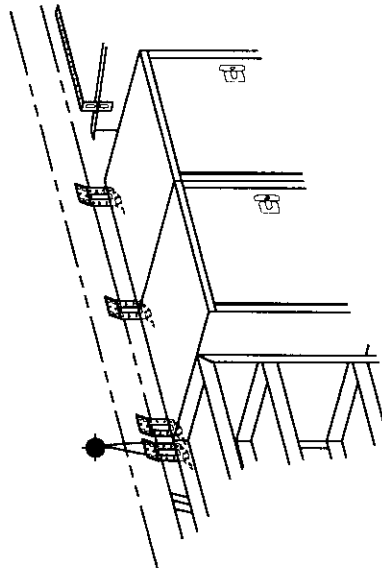


FIG. 1

CABINETS BELOW THE HEADER RAIL WILL NEED THE UNIVERSAL MOUNTING BRACKET AT EACH END OF ADJOINING CABINETS, AS SHOWN IN FIG'S 1, 2, & 3.

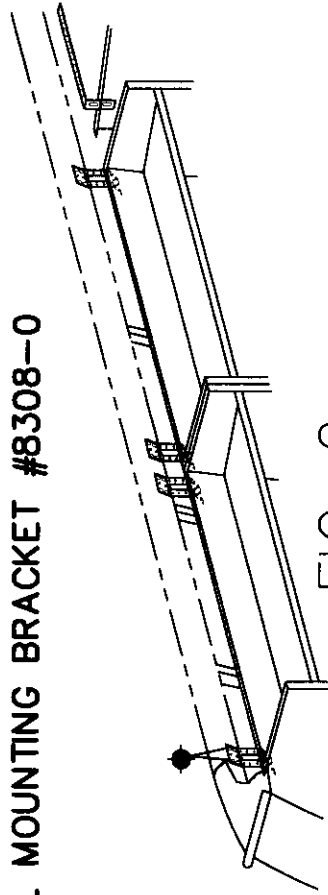


FIG. 2

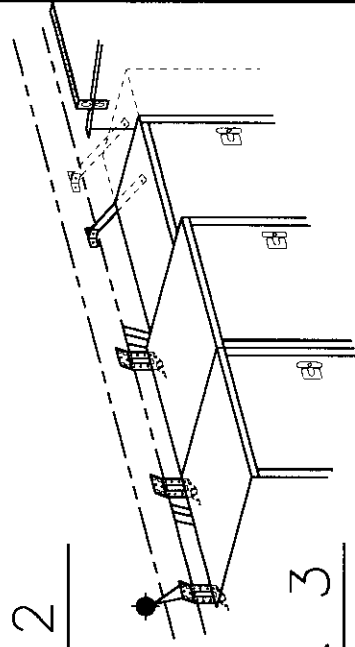


FIG. 3

OBSTRUCTIONS ON THE HEADER RAIL SUCH AS THE SHOULDER BELT ANCHOR, MAY REQUIRE A DIFFERENT TYPE OF MOUNTING BRACKET TO POSITION THE CABINETS OUT & AWAY FROM THE HEADER RAIL AS SHOWN IN FIG. 3.

FIG. 4

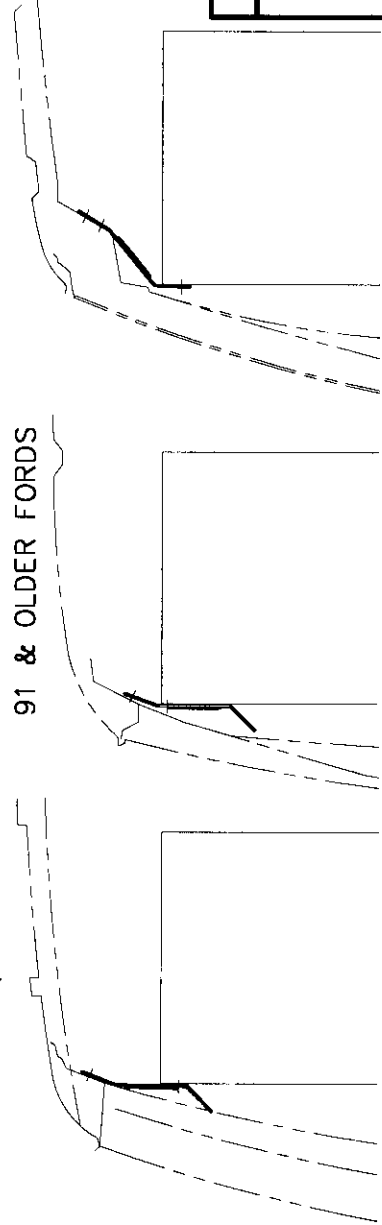
TYPICAL POSITIONING OF MOUNTING BRACKET FOR EACH STYLE HEADER RAIL.

1996 & OLDER  
CHV/GMC

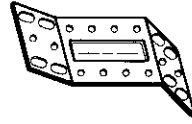
DODGE

91 & OLDER FORDS

1997 CHV/GMC  
1992 & NEWER FORD



NEW STYLE 1995



#8308-0 UNIVERSAL MOUNTING BRACKET  
(REVISED MAY OF 1995)

EN- 4758

DATE: MAY/3/99



ADRIAN STEEL COMPANY

906 JAMES STREET ADRIAN, MI 49221

cabinets designed to serve