



ADRIAN STEEL

Cargo Management Solutions for Commercial Vehicles

4-SHELF UNIT W/ FILTER STORAGE

PRODUCT WEIGHT

97.71 LBS

WIDTH X DEPTH X HEIGHT

50.25" X 17.25" X 49.00"

CAPACITY

125 LBS PER 16" SHELF

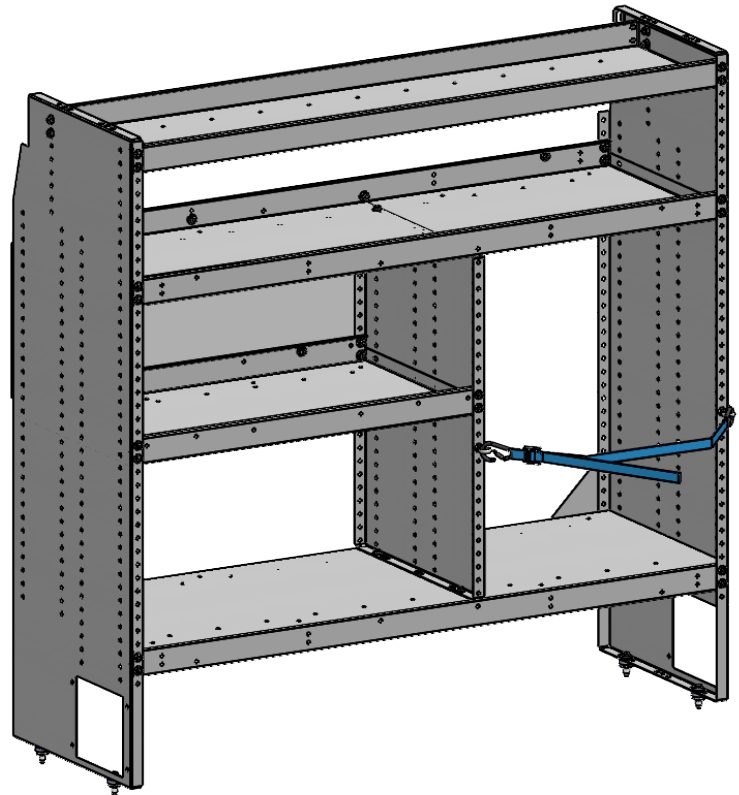
75 LBS PER 12" SHELF

COLOR

GRAY

CATALOG NUMBER

HD1650TLCF



PRODUCT FEATURES

THIS SHELVING UNIT IS INTENDED FOR HVAC CUSTOMERS. THIS TAKES THE 4-SHELF 16" DEEP SHELVING UNIT AND OFFERS A SPACE TO STORE 24" HVAC FILTERS AND RETAIN THEM WITH A STRAP.

INTENDED FOR THE FORD TRANSIT LOW ROOF.

THIS UNIT IS ALSO INTENDED TO UTILIZE THE 80-FSV PIPE TRAY THAT GOES UNDERNEATH THE BOTTOM SHELF AND THROUGH THE END PANELS.

THIS SHELVING UNIT CAN NOT BE PLACED OVER THE WHEEL WELL ON EITHER SIDE OF THE VEHICLE, BECAUSE THE BOTTOM SHELF IS TOO LOW.

SEE PAGE 2 FOR APPLICATION NOTES, ACCESSORIES AND OTHER PRODUCTS THAT WORK WITH THIS UNIT.



4-SHELF UNIT W/ FILTER STORAGE

CATALOG NUMBER **HD1650TLCF**

PRODUCT APPLICATION

THIS SHELVING UNIT IS INTENDED FOR HVAC CUSTOMERS. THIS TAKES THE 4-SHELF 16" DEEP SHELVING UNIT AND OFFERS A SPACE TO STORE 24" HVAC FILTERS AND RETAIN THEM WITH A STRAP.

INTENDED FOR THE FORD TRANSIT LOW ROOF.

THIS UNIT IS ALSO INTENDED TO UTILIZE THE 80-FSV PIPE TRAY THAT GOES UNDERNEATH THE BOTTOM SHELF AND THROUGH THE END PANELS.

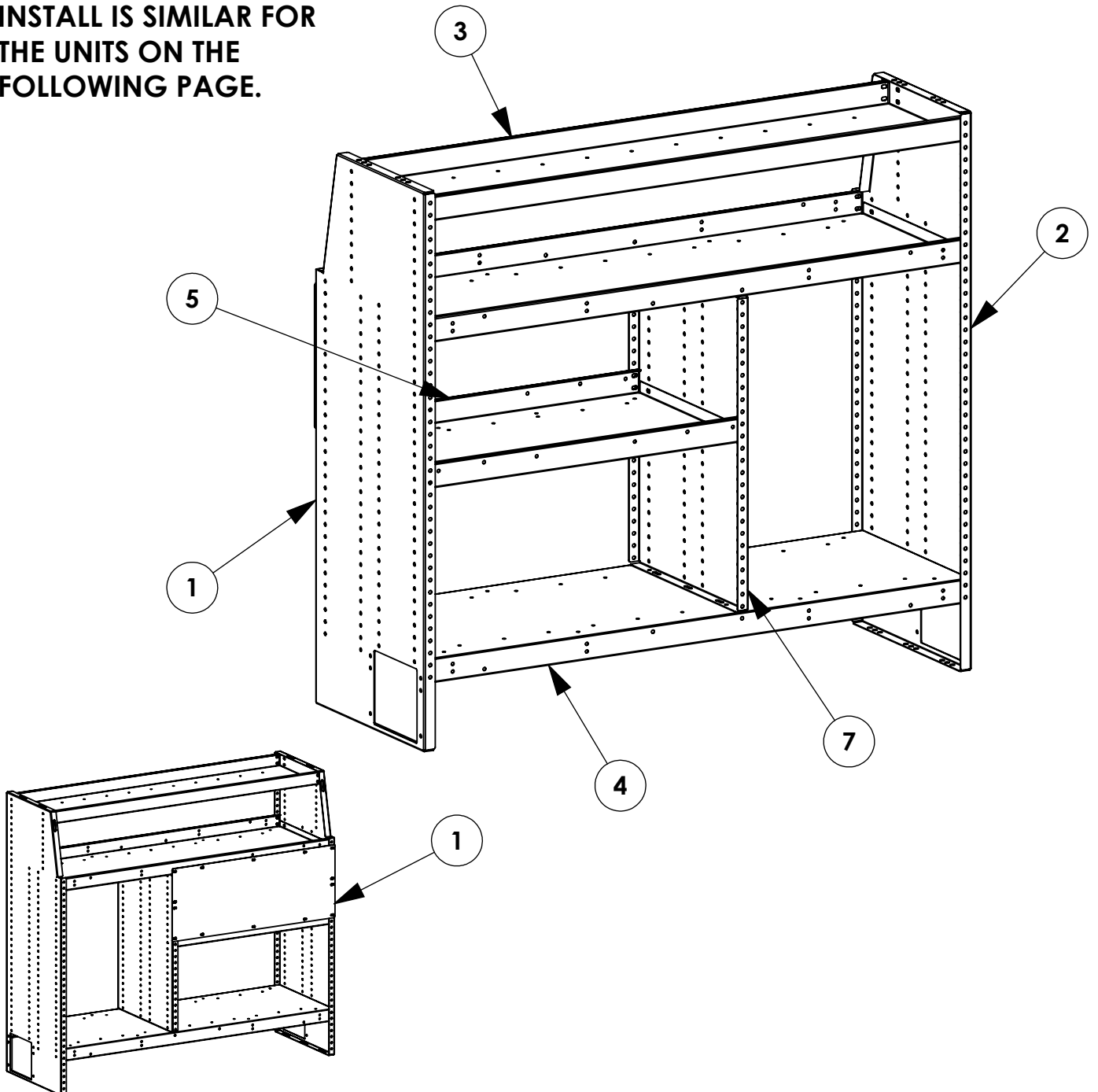
THIS SHELVING UNIT CAN NOT BE PLACED OVER THE WHEEL WELL ON EITHER SIDE OF THE VEHICLE, BECAUSE THE BOTTOM SHELF IS TOO LOW.

ACCESSORIES THAT WILL WORK WITH THIS PRODUCT

<i>CATALOG NUMBER</i>	<i>DESCRIPTION (smart)</i>
80-FSV	16" SHELVING CONDUIT KIT
HD-1650TLC	KD UNIT 16X50X50 TL CON

INSTR. NUMBER : 69883	PG: 1	REV: A	ITEM NO.	PART NUMBER	DESCRIPTION	QTY.
PART NUMBER • HVAC FILTER • SHELVING - GM/TL			1	EP1646GMLC	CONDUIT END PANEL, GM L, 16X46	1
			2	EP1646GMRC	CONDUIT END PANEL, GM R, 16X46	1
PART • ASM INSTR FOR HVAC FILTER DESC. • SHELVING, GM AND TL			3	SF21250X-G	SHELF, STD, 2X12X50, GRAY	1
			4	SF21650X-G	SHELF, STD, 2X16X50, GRAY	2
NOTE: INSTALLATION IS SHOWN FOR UNIT: HD1650GMCF			5	SF21630X-G	SHELF, STD, 2X16X30, GRAY	1
			6	BP1230	BACK PANEL 12x30	1
			7	EP1626	END PANEL, 16X26, GRAY	1

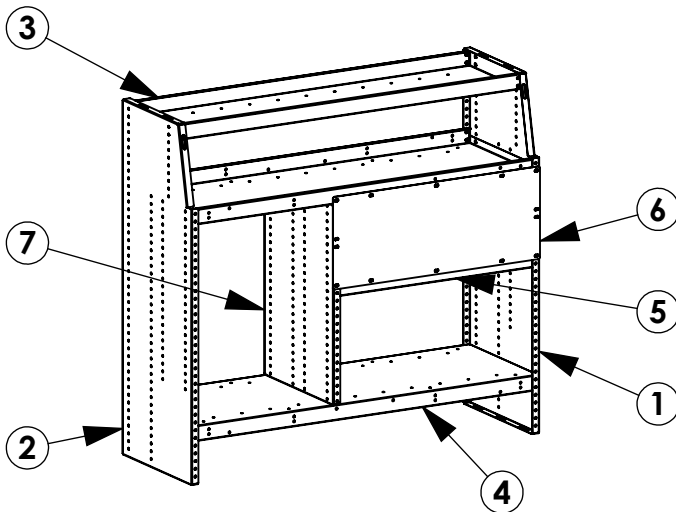
INSTALL IS SIMILAR FOR THE UNITS ON THE FOLLOWING PAGE.



INSTR. NUMBER : 69883	PG: 2	REV: A
PART • HVAC FILTER NUMBER • SHELVING - GM/TL		
PART • ASM INSTR FOR HVAC FILTER DESC. • SHELVING, GM AND TL		

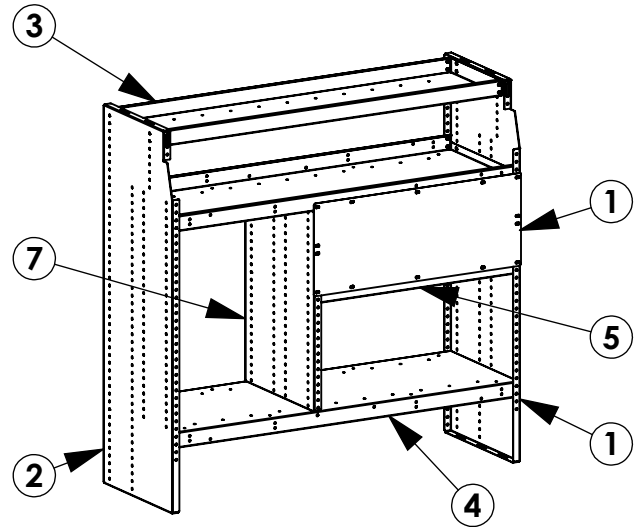
HD1650GMF

ITEM NO.	PART NUMBER	DESCRIPTION	QTY.
1	EP1646GML	END PANEL, KD 46 X 16,L	1
2	EP1646GMR	END PANEL KD 46 INCH R	1
3	SF21250X-G	SHELF, STD, 2X12X50, GRAY	1
4	SF21650X-G	SHELF, STD, 2X16X50, GRAY	2
5	SF21630X-G	SHELF, STD, 2X16X30, GRAY	1
6	BP1230	BACK PANEL 12x30	1
7	EP1626	END PANEL, 16X26, GRAY	1



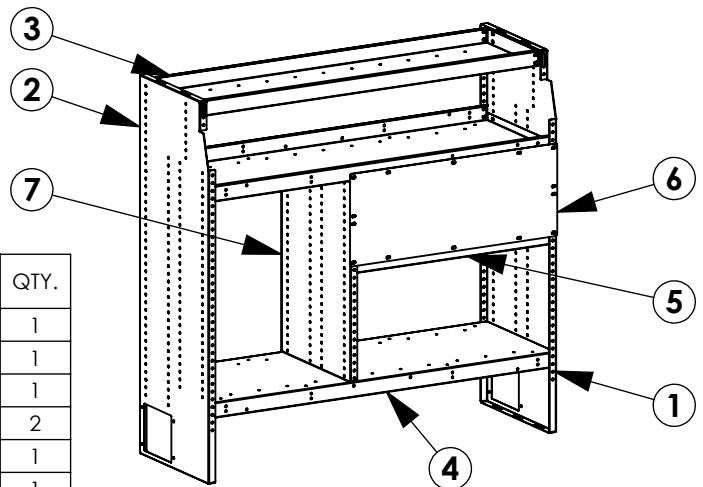
HD1650TLF

ITEM NO.	PART NUMBER	DESCRIPTION	QTY.
1	EP1650TLL	END PANEL, FORD LR, 16X50, GRAY	1
2	EP1650TLR	END PANEL, FORD LR, 16X50, GRAY	1
3	SF21250X-G	SHELF, STD, 2X12X50, GRAY	1
4	SF21650X-G	SHELF, STD, 2X16X50, GRAY	2
5	SF21630X-G	SHELF, STD, 2X16X30, GRAY	1
6	BP1230	BACK PANEL 12x30	1
7	EP1626	END PANEL, 16X26, GRAY	1



HD1650TLCF

ITEM NO.	PART NUMBER	DESCRIPTION	QTY.
1	EP1650TLLC	CONDUIT END PANEL, FORD LR, 16X50, GRAY	1
2	EP1650TLRC	CONDUIT END PANEL, FORD LR, 16X50, GRAY	1
3	SF21250X-G	SHELF, STD, 2X12X50, GRAY	1
4	SF21650X-G	SHELF, STD, 2X16X50, GRAY	2
5	SF21630X-G	SHELF, STD, 2X16X30, GRAY	1
6	BP1230	BACK PANEL 12x30	1
7	EP1626	END PANEL, 16X26, GRAY	1



GET TO KNOW THE VEHICLE - AT THE BEGINNING OF ANY INSTALLATION, CHECK THE LOCATION OF THE FUEL TANK, FUEL LINES, BRAKE LINES, HIGH VOLTAGE BATTERIES AND WIRING HARNESSSES TO AVOID INJURY OR PROPERTY DAMAGE FROM TOOL CONTACT.

SEAL ALL EXTERIOR HOLES - ALL INSTALLATION HOLES SHOULD BE SEALED WITH BUTYL TAPE OR SILICON TO PREVENT WATER AND EXHAUST GASES FROM ENTERING THE VEHICLE.

CONTROL DRILL DEPTH - TO AVOID DAMAGE TO THE VEHICLE, USE A DRILL STOP OR CLEARED STEP BIT WHEN DRILLING INSTALLATION HOLES.

ALWAYS ADD PRIMER - WHEN ADDING INSTALLATION HOLES BE SURE TO USE A SELF-ETCHING PRIMER TO PREVENT CORROSION, FASTENER FAILURE AND INJURY.

MOUNTING POINTS MUST HAVE METAL-TO-METAL CONTACT - USE PROVIDED MOUNTING SPACERS TO ACCOMMODATE FOR VEHICLE FEATURES, CARPET OR SUBFLOORS.

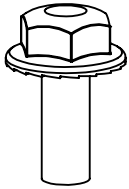
PROVIDE CLEARANCE FOR SPACERS - IF THE INSTALLATION VEHICLE CONTAINS A CARPET OR SUBFLOOR, USE A 1-3/16" DIAMETER CARPET CUTTER (P/N: 31183-0) AT ALL MOUNTING LOCATIONS TO OPEN UP ROOM FOR SPACERS.

CHECK SPACER ORIENTATION - BE SURE THAT THE INDENT IN THE SPACER COVERS THE PLUSNUT HEAD; THIS ENSURES THE MOST METAL-TO-METAL CONTACT AND REDUCES VIBRATION.

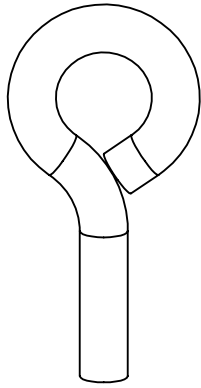
PLUSNUT INSTALLATION - A PLUSNUT GUN IS RECOMMENDED FOR PLUSNUT INSTALLATION FOR ITS PRODUCTION SPEED. HOWEVER, A PLUSNUT SETTING TOOL CAN ALSO BE USED (P/N: 22200-0).

THRU-BOLT CLEARANCE - WHEN USING A THRU-BOLT AT ANY MOUNTING LOCATION, BE SURE THAT YOUR HOLE HAS 1/16" CLEARANCE.

FASTENERS USED - BAG69881



FAS0018
1/4-20 X .63 ZP
HH SFLNG SCREW
QTY: 49



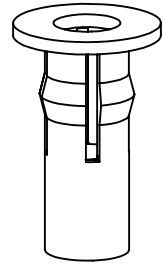
FAS0050
1/4-20 X .5 X .88
EYEBOLT
QTY: 2



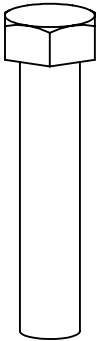
FAS0055
1/4-20 ZP
HFLNG NLK NUT
QTY: 51



FAS0086
1.4-20 ZP
FLAT WASHER
QTY: 4



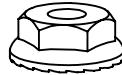
FAS0091
5/16 ZP
PLUSNUT
QTY: 4



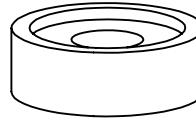
FAS0092
5/16 X 1.5 ZN
HH SCREW
QTY: 4



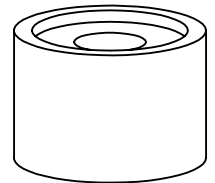
FAS0098
5/16 ZP
SPL LCK WASHER
QTY: 4



FAS0127
1/4-20 ZN
HFLNG NUT
QTY: 2



03927-1
11/32 1010 ZP
FLR SPACER
QTY: 4



03927-2
11/16 1010 ZP
FLR SPACER
QTY: 4

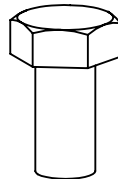
ITEMS FOUND IN ASCO RAIL KIT



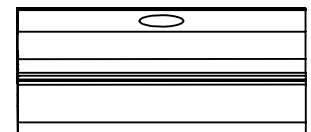
FAS0085
5/16 ZP
EXT LCK WASHER
QTY: 2



FAS0086
5/16 ZP
FLAT WASHER
QTY: 2

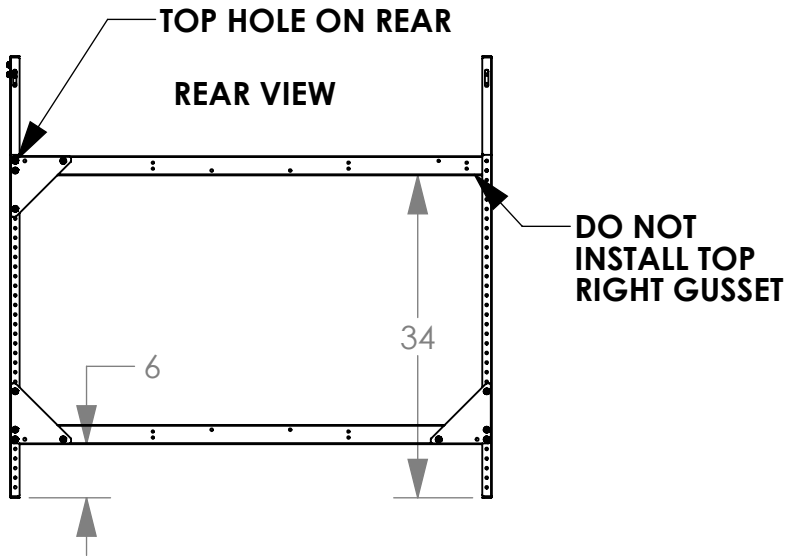


FAS0165
5/16-18 X .62 ZP
HH SCREW
QTY: 2

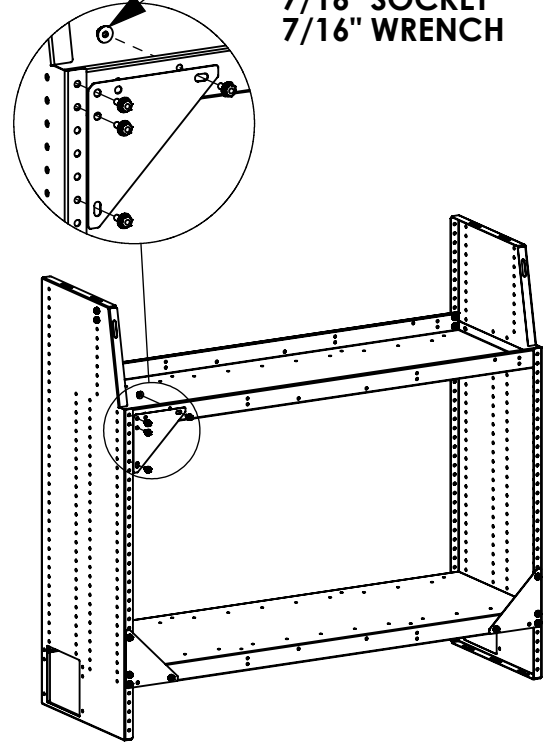


35335-0
1.5" LONG
AD RAIL SLIDE
QTY: 2

BEGIN ASSEMBLY
STEP 1 - INSTALL SHELVES WITH GUSSETS

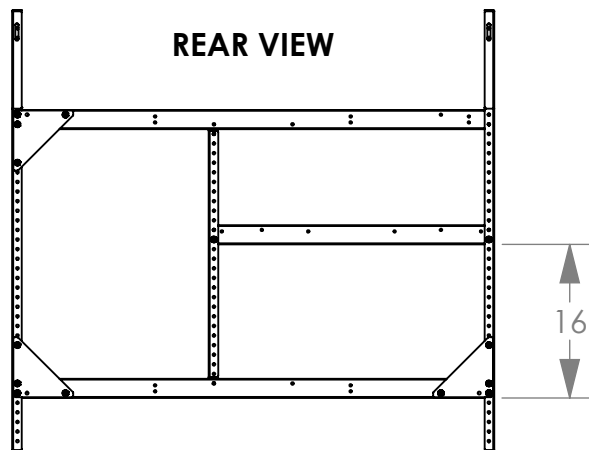


FAS0018, FAS0055
(20 PLACES)
7/16" SOCKET
7/16" WRENCH



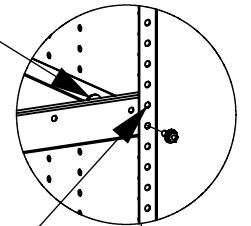
ORIENTATION NOTE:
UPPER GUSSETS: EAR DOWN
LOWER GUSSETS: EAR UP

STEP 2 - INSTALL MIDDLE SHELF

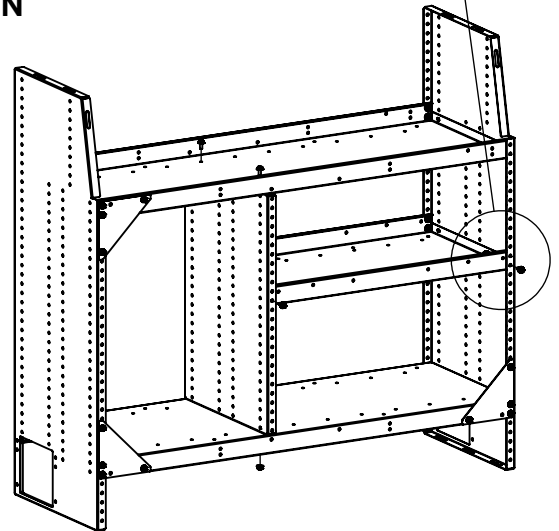


FAS0018, FAS0055
(12 PLACES)
7/16" SOCKET
7/16" WRENCH

**DO NOT INSTALL TOP
REAR SHELF FASTENERS
UNTIL THE BACK PANEL
IS ON**

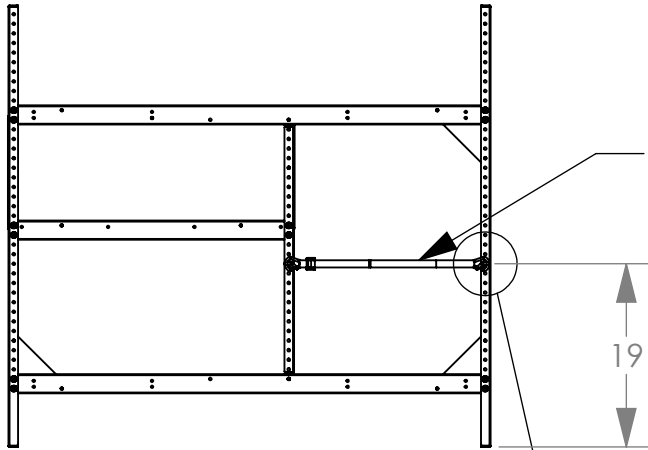


**INSTALL END PANEL FIRST,
THEN SHORT SHELF**

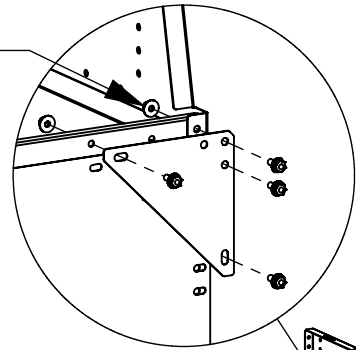


STEP 3 - INSTALL BACK PANEL AND SHELF

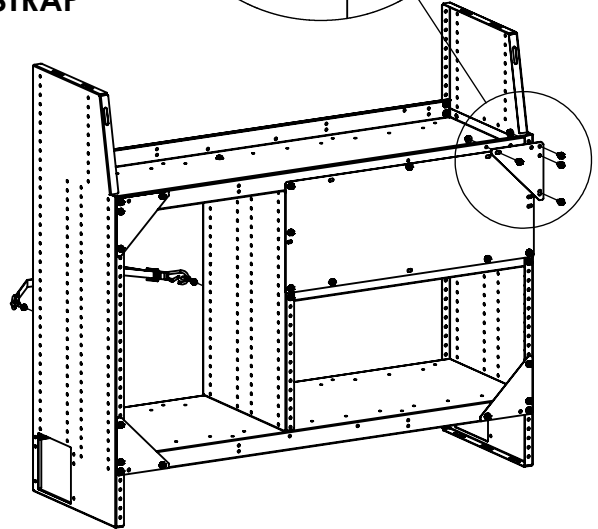
FRONT VIEW



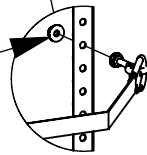
FAS0018, FAS0055
(11 PLACES)
7/16" SOCKET
7/16" WRENCH



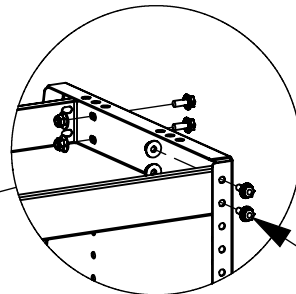
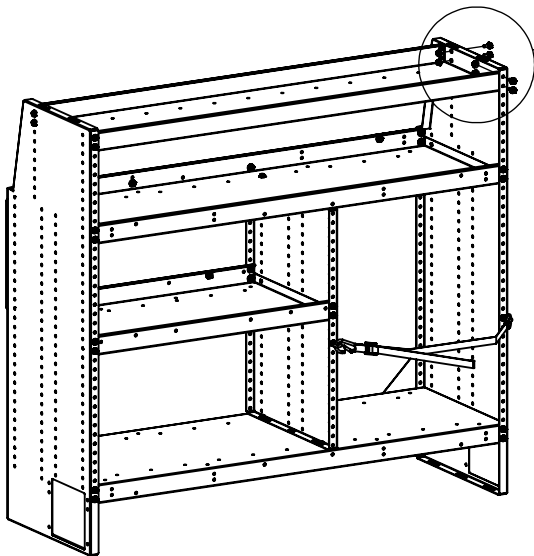
INSTALL STRAP



FAS0050, FAS0127,
FAS0055
(2 PLACES)
7/16" SOCKET
7/16" WRENCH

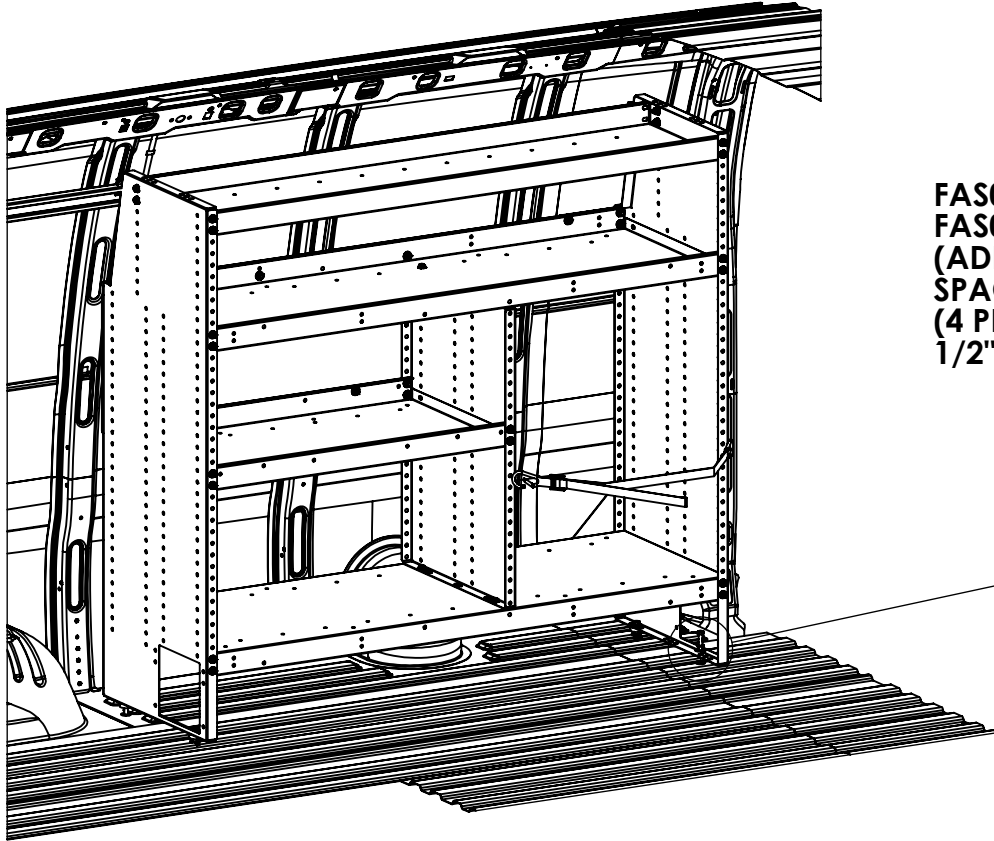


STEP 4 - INSTALL TOP SHELF

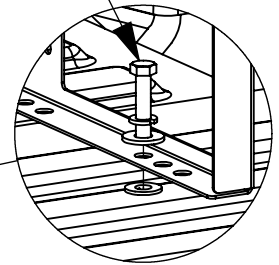


FAS0018, FAS0055
(8 PLACES)
7/16" SOCKET
7/16" WRENCH

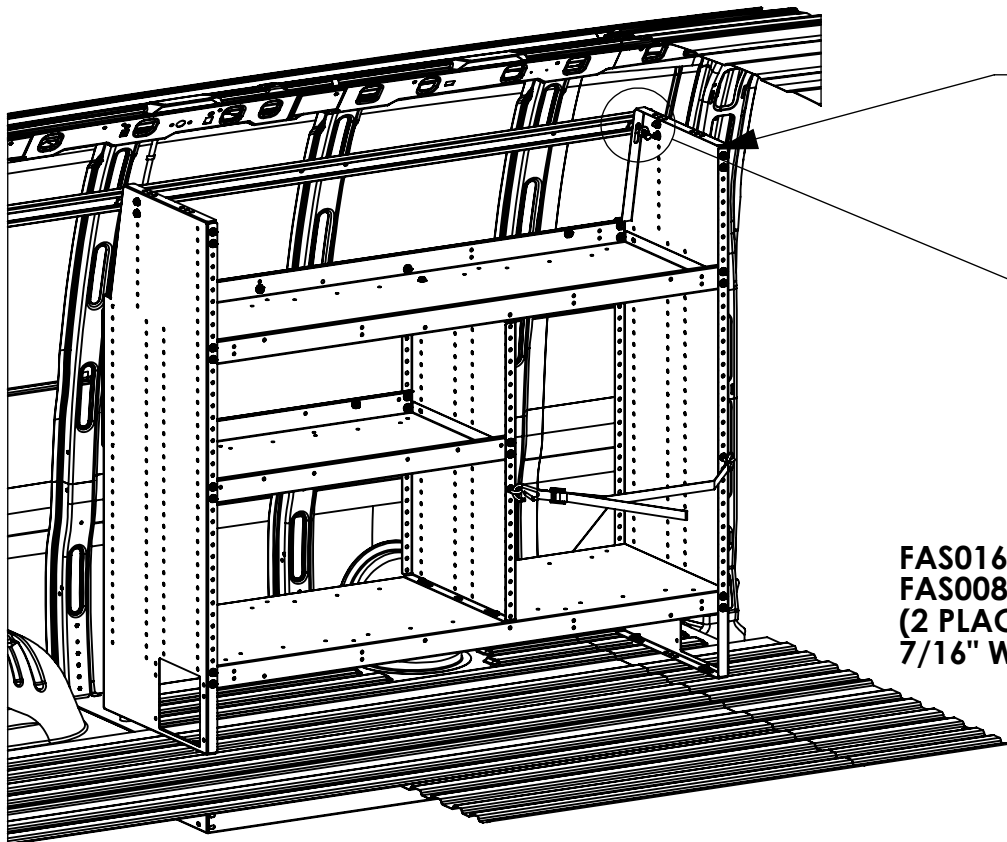
STEP 5 - MOUNT SHELVING UNIT TO VEHICLE FLOOR



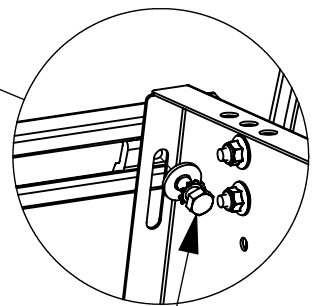
FAS0096, FAS0098,
FAS0086, FAS0091
(ADD 03927-1 OR 03927-2
SPACERS AS NEEDED)
(4 PLACES)
1/2" SOCKET



STEP 6 - MOUNT SHELVING UNIT TO VEHICLE FLOOR



NOTE: TOP SHELF
HIDDEN TO SHOW
FASTENER LOCATION



FAS0165, FAS0085
FAS0086, 35335-0
(2 PLACES)
7/16" WRENCH