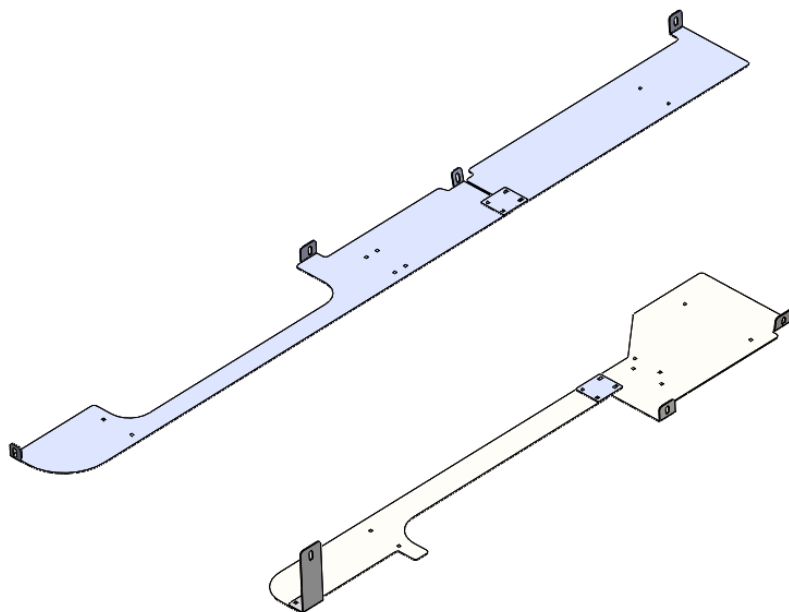




FLOOR PLATE KIT,FTM,148



PRODUCT WEIGHT
75.09 LBS

WIDTH x DEPTH x HEIGHT
N/A

CAPACITY
N/A

COLOR

BLACK

CATALOG NUMBER

FPK148FTM

PRODUCT FEATURES

This kit is designed to be installed in the Ford E-Transit 148" wheel-base with a medium or high roof. It can also be used in place of the lower mounting rail in the gas Transit as a no-drill solution. These plates include hardware to mount the interior packages 4317/4318/4319 TM148 without drilling into the floor of the high voltage electric vehicle.

SEE PAGE 2 FOR APPLICATION NOTES AND ACCESSORIES, OTHER PRODUCTS THAT WORK WITH THIS UNIT.

PAGE 1 of 2

The information contained in this document is the sole property of ADRIAN STEEL COMPANY. ADRIAN STEEL COMPANY retains the right to modify and/or change the product of its design at any time without prior notification.



CATALOG NUMBER FPK148FTM

PRODUCT APPLICATION

This kit is designed to be installed in the Ford E-Transit 148” wheel-base with a medium or high roof. It can also be used in place of the lower mounting rail in the gas Transit as a no-drill solution.

ACCESSORIES THAT WILL WORK WITH THIS PRODUCT

<i>CATALOG NUMBER</i>	<i>DESCRIPTION</i>
HAD4459	HYBRID UNIT, 14X59X44
230150TR	TANK RACK, 2-30 1-50 TANK
4317TM148	GEN SERV PKG, TRANS MR148
4318TM148	HVAC PKG, TRANSIT MID 148
4319TM148	ELEC/GAS PKG, TRANS MR148

SPECIAL APPLICATION NOTES

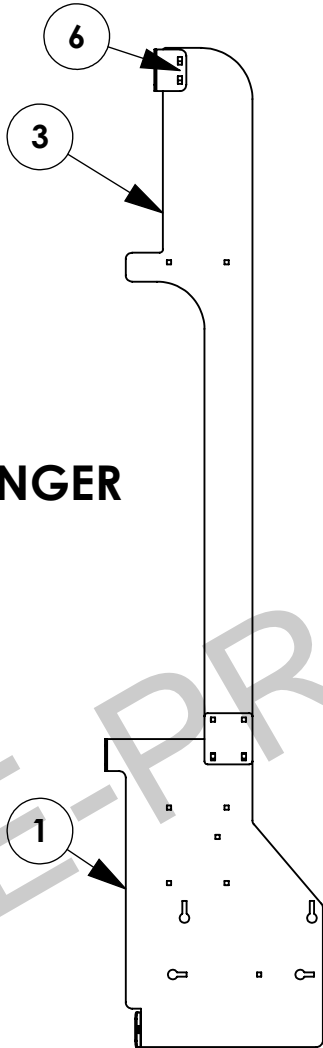
INSTR. NUMBER : **65481**

PG: **1** REV: **G**

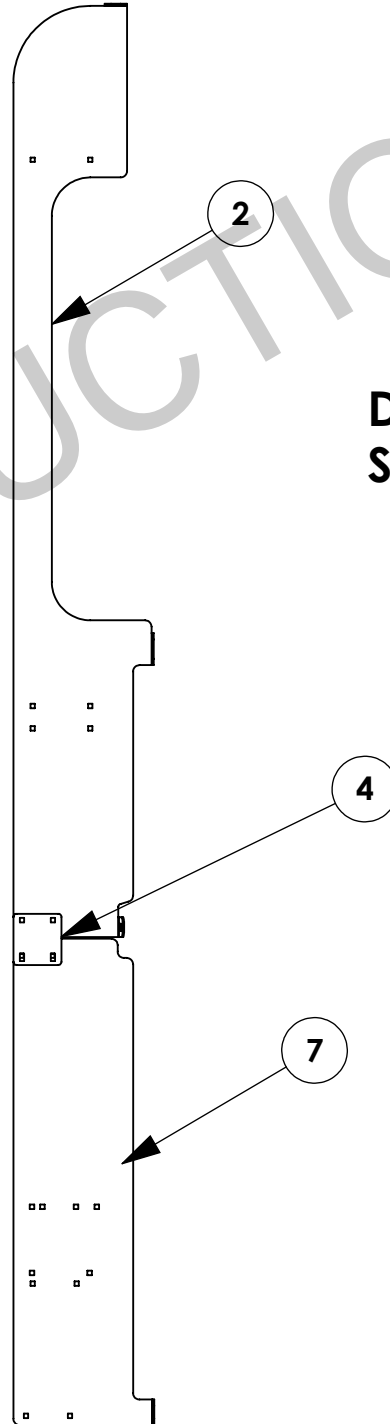
PART NUMBER : **FORD TRANSIT FPK'S**

PART DESC. : **ASM INS, TRANSIT FLR PLATE**

**PASSENGER
SIDE**



**DRIVERS
SIDE**



INSTR. NUMBER : **65481**

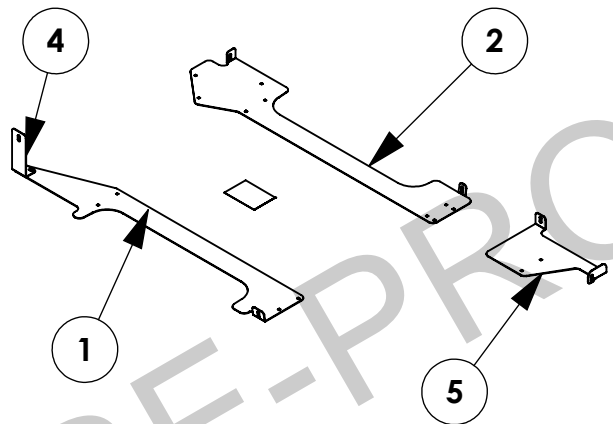
PG: **2** REV: **E**

PART NUMBER : **FORD TRANSIT FPK'S**

PART DESC. : **ASM INS,TRANSIT FLR PLATE**

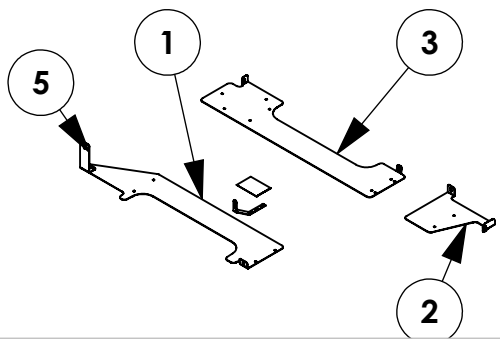
FPK130FTL

ITEM NO.	PART NUMBER	DESCRIPTION	QTY.
1	66495-B	FLR PLT,PS RR,FTL 130, BLACK	1
2	66494-B	FLR PLT,DS RR,FTL 130, BLACK	1
4	66884-B	FLR PLATE,PS D ANCHOR, BLACK	1
5	66493	FLR PLT,DS FR,FTL 130	1



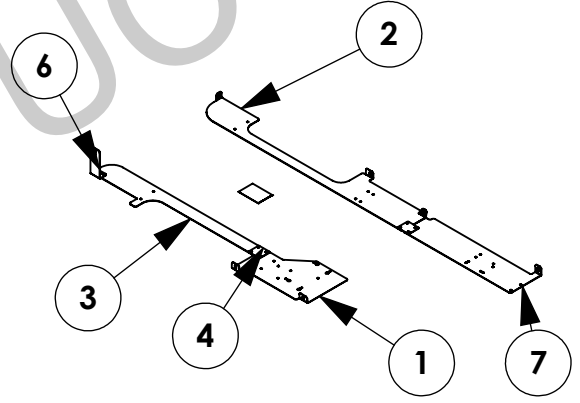
FPK130FTM

ITEM NO.	PART NUMBER	DESCRIPTION	QTY.
1	66533-B	FLR PLT,PS RR,FTM 130, BLACK	1
3	66532-B	FLR PLT,DS RR,FTM 130, BLACK	1
5	66884-B	FLR PLATE,PS D ANCHOR, BLACK	1
6	66534-G	PASS. FRT. UPPER SHELF BRACKET, GRAY	1



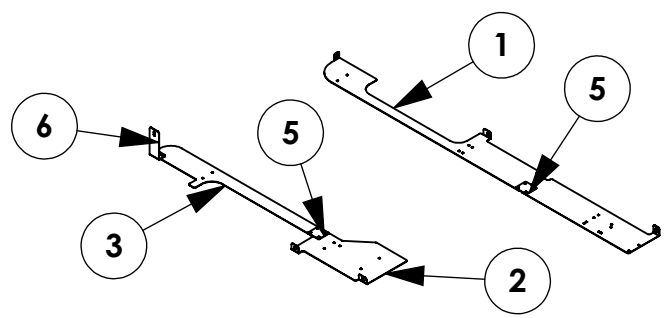
FPK148FTL

ITEM NO.	PART NUMBER	DESCRIPTION	QTY.
1	66501-B	FLR PLT,PS FR,FTL 148, BLACK	1
2	66769-B	FLR PLT,DS RR,FTL 148, BLACK	1
3	66770-B	FLR PLT,PS RR,FTL 148, BLACK	1
4	65475-B	FLR PLATE, LINK	2
6	66884-B	FLR PLATE,PS D ANCHOR, BLACK	1
7	66555-B	FLR PLT,DS CTR,FT M/H 148	1



FPK148FTM

ITEM NO.	PART NUMBER	DESCRIPTION	QTY.
1	66556-B	FLR PLT,DS RR,FT M/H 148	1
2	66491-B	FLR PLT,PS FR,FT M/H 148	1
3	66492-B	FLR PLT,PS RR,FT M/H 148	1
4	66555-B	FLR PLT,DS CTR,FT M/H 148	1
5	65475-B	FLR PLATE, LINK	2
6	66884-B	FLR PLATE,PS D ANCHOR, BLACK	1



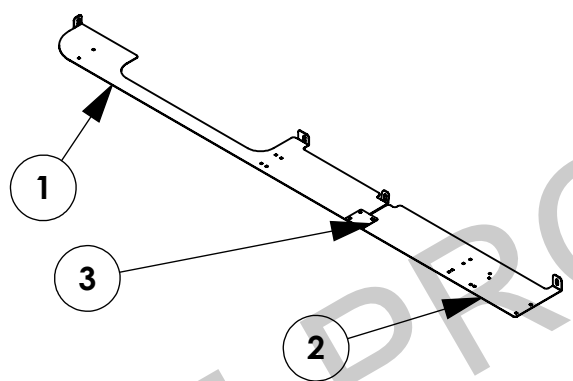
INSTR. NUMBER : **65481** PG: **3** REV: **E**

PART NUMBER : **FORD TANSIT FPK'S**

PART DESC. : **ASM INS, TRANSIT FLR PLATE**

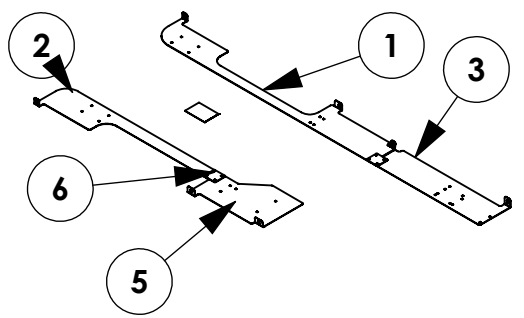
FPK148MDS

ITEM NO.	PART NUMBER	DESCRIPTION	QTY.
1	66556-B	FLR PLT,DS RR,FT M/H 148	1
2	66555-B	FLR PLT,DS CTR,FT M/H 148	1
3	65475-B	FLR PLATE, LINK	1



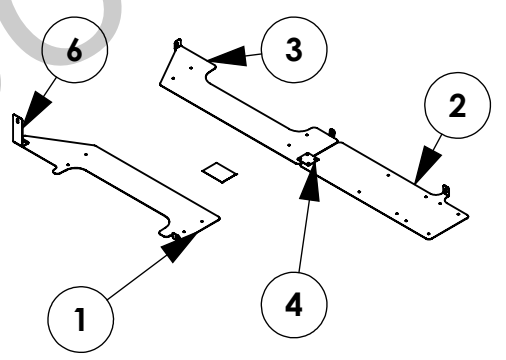
FPK148XFTH

ITEM NO.	PART NUMBER	DESCRIPTION	QTY.
1	66498-B	FLR PLT,DS RR,FTH 148X, BLACK	1
2	66499-B	FLR PLT,PS RR,FTH 148X, BLACK	1
3	66555-B	FLR PLT,DS CTR,FT M/H 148	1
5	66491	FLR PLT,PS FR,FT M/H 148	1
6	65475	FLR PLATE, LINK	2



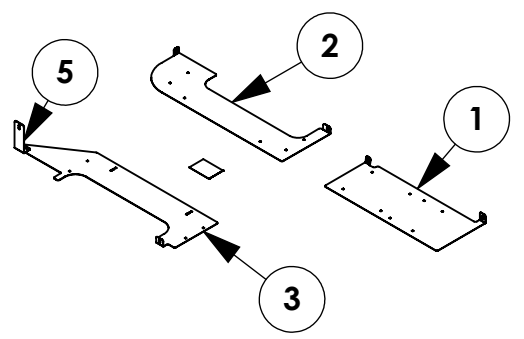
FPK5274FTL

ITEM NO.	PART NUMBER	DESCRIPTION	QTY.
1	66815-B	FLR PLT,PS RR,5274FTL	1
2	66816-B	FLR PLT,DS FR,5274FTL	1
3	66817-B	FLR PLT,DS RR,5274FTL	1
4	65475-B	FLR PLATE, LINK	1
6	66884-B	FLR PLATE,PS D ANCHOR, BLACK	1



FPK5274FTM

ITEM NO.	PART NUMBER	DESCRIPTION	QTY.
1	66765-B	FLR PLT,DS CTR,FT M/H148, BLACK	1
2	66766-B	FLR PLT,DS RR,FT MH148, BLACK	1
3	66768-B	FLR PLT,PS RR,FT M/H148, BLACK	1
5	66884-B	FLR PLATE,PS D ANCHOR, BLACK	1



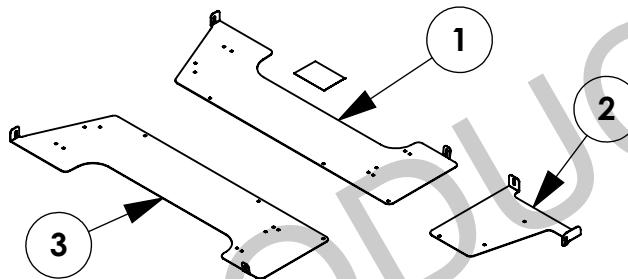
INSTR. : 65481
 NUMBER : 4 E

PART : FORD TRANSIT FPK'S
 NUMBER :

PART :
 DESC. : ASM INS, TRANSIT FLR PLATE

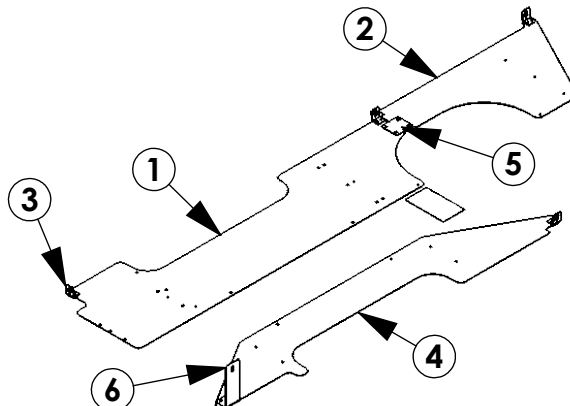
FPK7016FTL

ITEM NO.	PART NUMBER	DESCRIPTION	QTY.
1	72521-B	FLR PLT,DS RR,FTL 130, BLACK	1
2	72522-B	FLR PLT,DS RR,FTL 130, BLACK	1
3	72523-B	FLR PLT,PS RR,FTL 130, BLACK	1



74131

ITEM NO.	PART NUMBER	DESCRIPTION	QTY.
1	74056	FLR PLT, DS RR, FTL 148	1
2	74057	FLR PLATE, DS FRT, FT148	1
3	71640-B	FLOOR PLATE ATTACHMENT BRACKET, BLACK	4
4	74058-B	FLR PLATE, PS REAR, FT148, BLACK	1
5	65475	FLR PLATE, LINK	1
6	66884	FLR PLATE,PS D ANCHOR	1



GET TO KNOW THE VEHICLE - AT THE BEGINNING OF ANY INSTALLATION, CHECK THE LOCATION OF THE FUEL TANK, FUEL LINES, BRAKE LINES, HIGH VOLTAGE BATTERIES AND WIRING HARNESES TO AVOID INJURY OR PROPERTY DAMAGE FROM TOOL CONTACT.

SEAL ALL EXTERIOR HOLES - ALL INSTALLATION HOLES SHOULD BE SEALED WITH BUTYL TAPE OR SILICON TO PREVENT WATER AND EXHAUST GASES FROM ENTERING THE VEHICLE.

CONTROL DRILL DEPTH - TO AVOID DAMAGE TO THE VEHICLE, USE A DRILL STOP OR CLEARED STEP BIT WHEN DRILLING INSTALLATION HOLES.

ALWAYS ADD PRIMER - WHEN ADDING INSTALLATION HOLES BE SURE TO USE A SELF-ETCHING PRIMER TO PREVENT CORROSION, FASTENER FAILURE AND INJURY.

MOUNTING POINTS MUST HAVE METAL-TO-METAL CONTACT - USE PROVIDED MOUNTING SPACERS TO ACCOMMODATE FOR VEHICLE FEATURES, CARPET OR SUBFLOORS.

PROVIDE CLEARANCE FOR SPACERS - IF THE INSTALLATION VEHICLE CONTAINS A CARPET OR SUBFLOOR, USE A 1-3/16" DIAMETER CARPET CUTTER (P/N: 31183-0) AT ALL MOUNTING LOCATIONS TO OPEN UP ROOM FOR SPACERS.

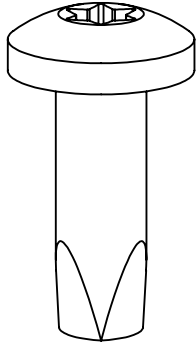
CHECK SPACER ORIENTATION - BE SURE THAT THE INDENT IN THE SPACER COVERS THE PLUSNUT HEAD; THIS ENSURES THE MOST METAL-TO-METAL CONTACT AND REDUCES VIBRATION.

PLUSNUT INSTALLATION - A PLUSNUT GUN IS RECOMMENDED FOR PLUSNUT INSTALLATION FOR ITS PRODUCTION SPEED. HOWEVER, A PLUSNUT SETTING TOOL CAN ALSO BE USED (P/N: 22200-0).

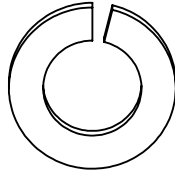
THRU-BOLT CLEARANCE - WHEN USING A THRU-BOLT AT ANY MOUNTING LOCATION, BE SURE THAT YOUR HOLE HAS 1/16" CLEARANCE.

FASTENERS THAT MAY BE USED

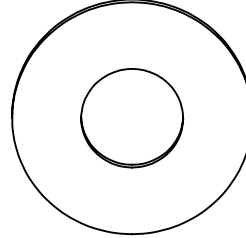
FAS0413
SCREW,PHT
M12 X 36 ZP,TRI



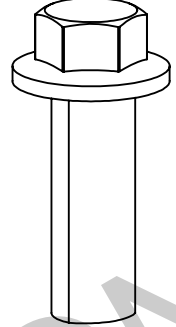
FAS0678
WASHER,LCK SPLIT
1/2 ZN



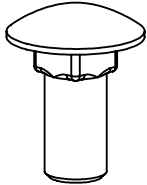
FAS0334
WASHER,FLAT
1/2 SS



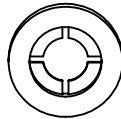
FAS0408
SCREW,HH
7/16-20 X 1.632



FAS0661
BOLT,CRG
5/16-18X.75 G5ZN



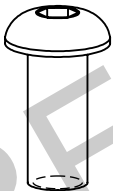
FAS0557
WASHER,RET
5/16X.74 NY WH



FAS0440
NUT,HEX NLK FLG
5/16-18ZP



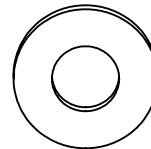
FAS0668
SCREW,BHCS
5/16-18X.75 SS



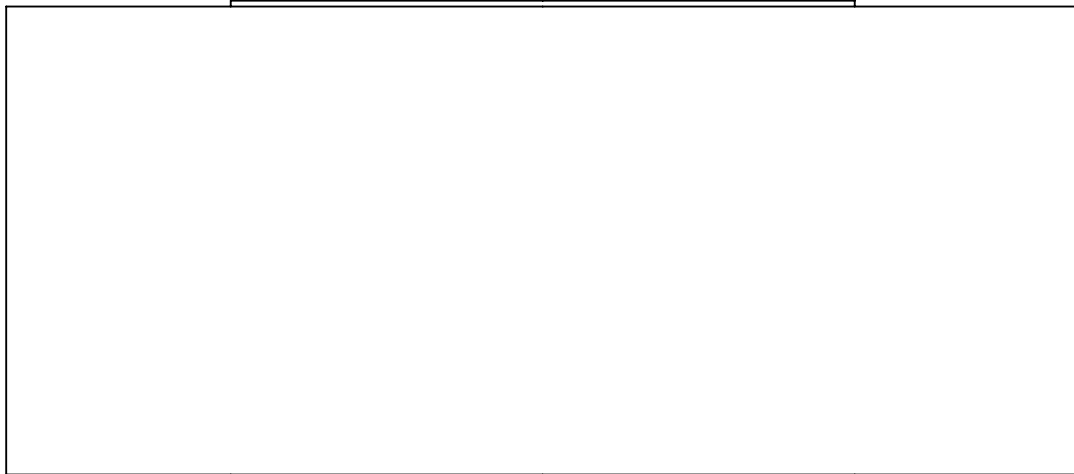
FAS0588
WASHER,LCK SPLIT
5/16 SS



FAS0552
WASHER,FLAT USS
5/16 SS



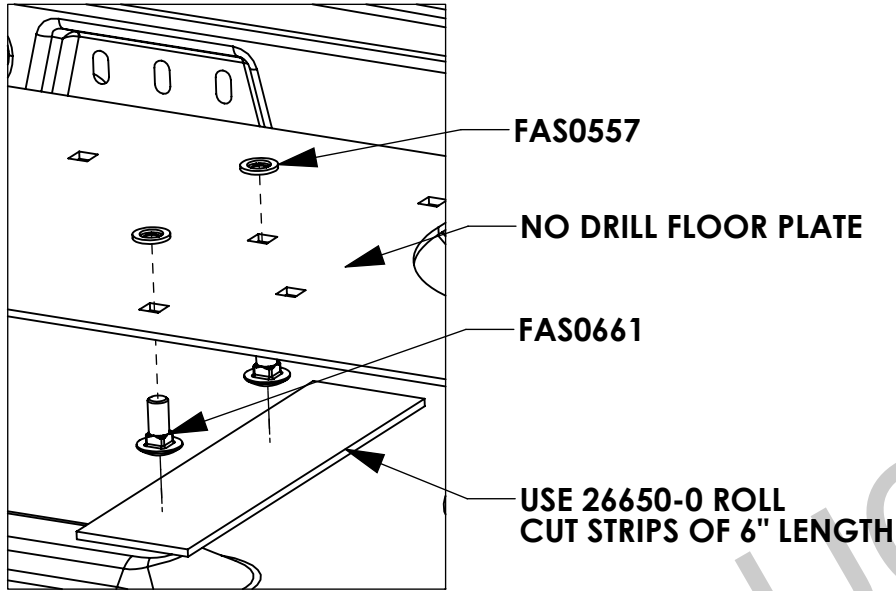
26650-0
FOAM TAPE
0.25X2.5X40.0



REFER TO SALES ORDER DRAWING FOR PROPER MOUNTING LOCATIONS

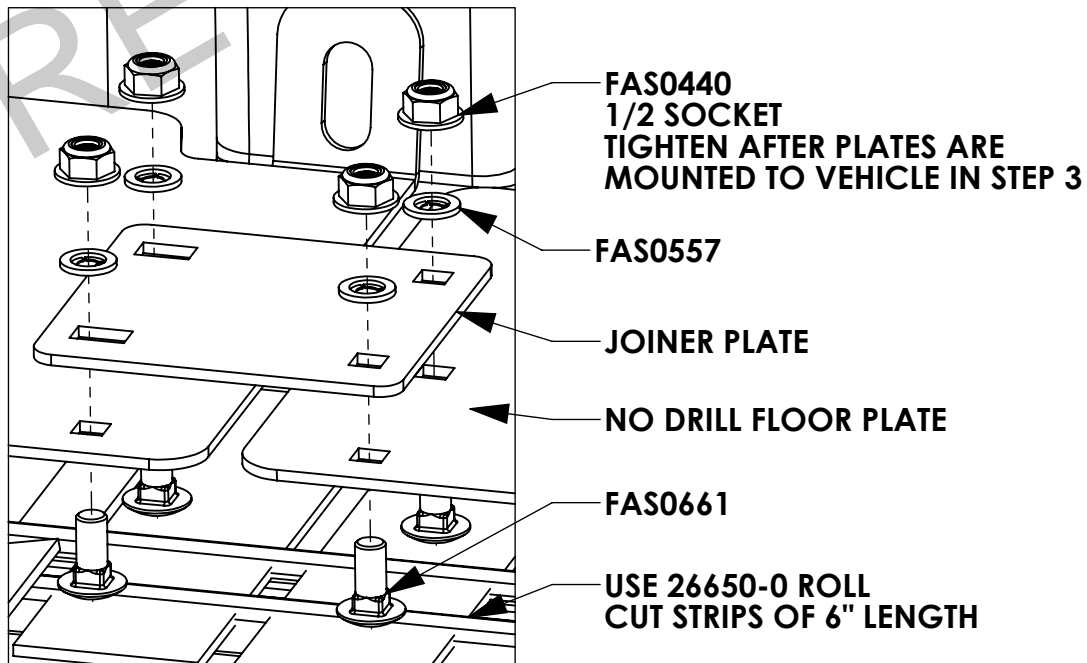
STEP 1

APPLY 26650-0 FOAM TAPE TO ANY SECTION ON FLOOR PLATES WITHOUT BOLTS TO MINIMIZE RATTLE TO FLOOR.



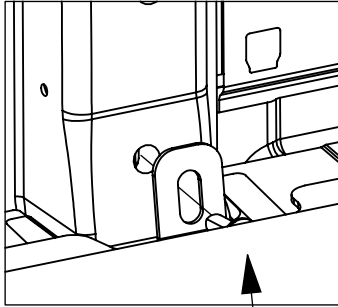
STEP 2

FASTEN FLOOR PLATES TOGETHER WITH JOINER PLATE (IF APPLICABLE)



STEP 3

INSTALLATION TO VEHICLE B, C AND D-PILLARS



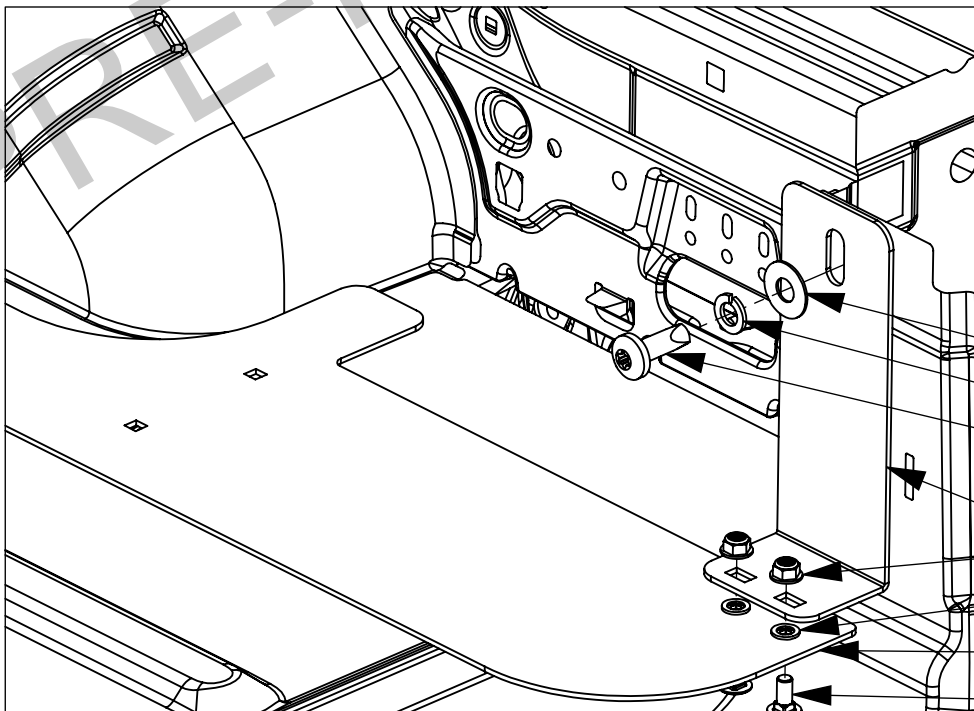
USING AN IMPACT DRIVER, TIGHTEN TRILOBULAR FAS0408 BOLT INTO D-RING LOCATIONS. THESE WILL SELF-THREAD INTO THE HOLES.

USE FAS0408
1/2 SOCKET
IMPACT DRIVER

STEP 4

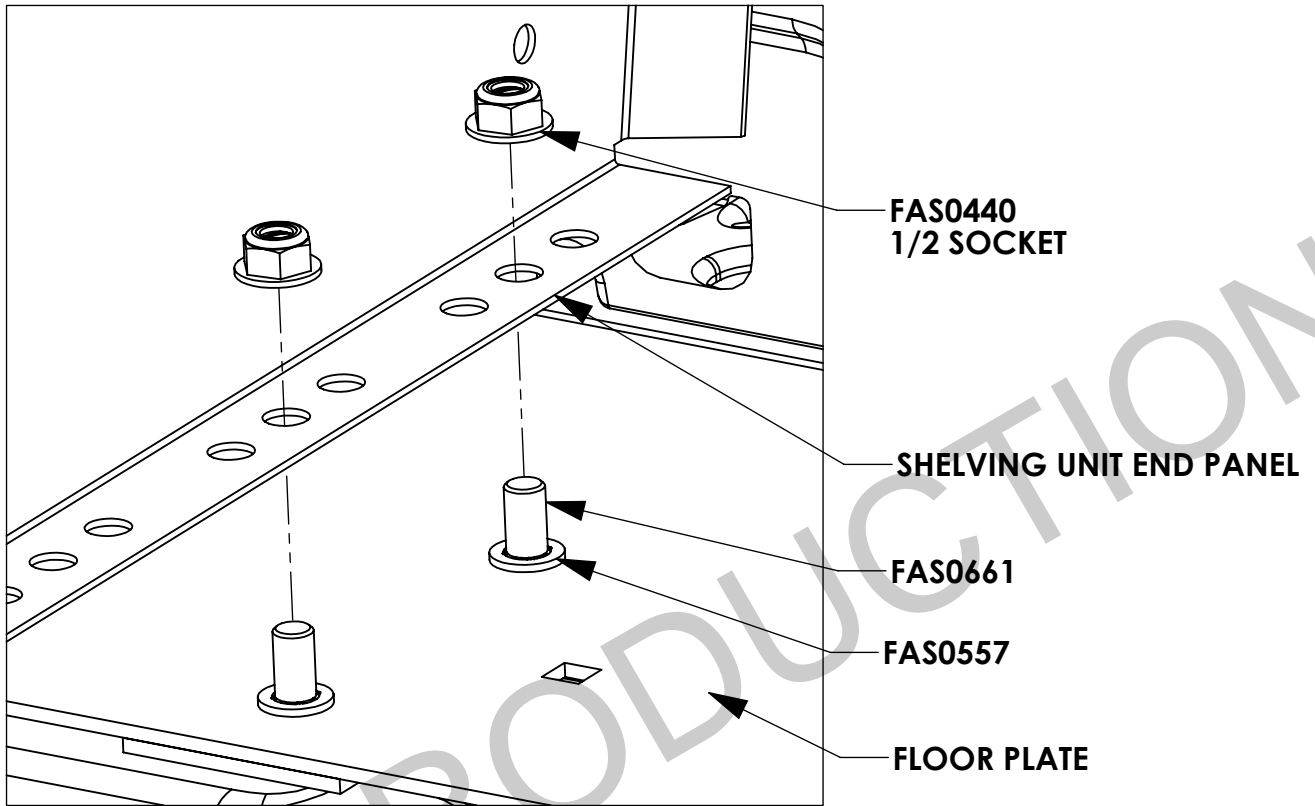
INSTALLATION TO VEHICLE D-PILLAR HIGH MOUNT

USING AN IMPACT DRIVER, TIGHTEN FAS0413 BOLT INTO HIGH MOUNT GRAB HANDLE LOCATION.

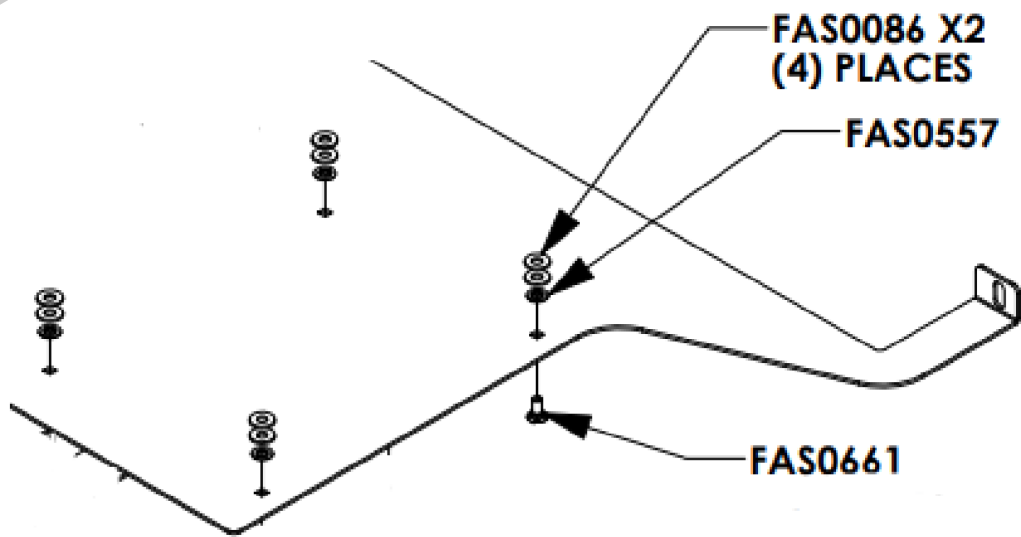


- FAS0334
- FAS0678
- FAS0413
USE T-55 TORX BIT
- FLOOR PLATE BRACKET
- FAS0440
- FAS0557
- NO DRILL FLOOR PLATE
- FAS0661

FASTEN SHELVING UNIT TO FLOOR PLATE



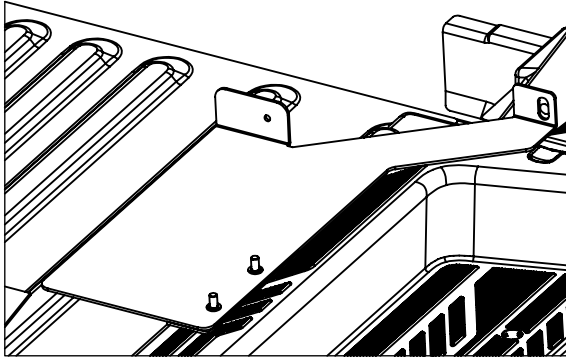
FASTEN DRAWER UNIT TO FLOOR PLATE



STEP 6

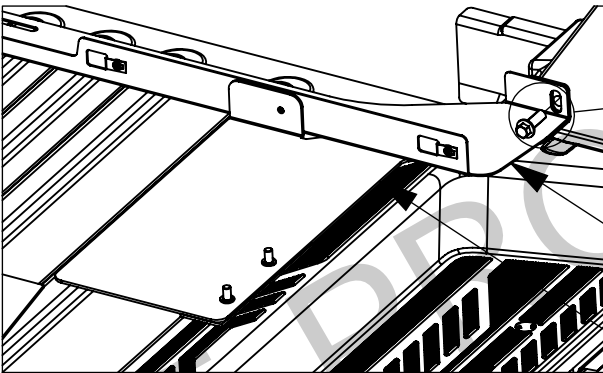
INSTALLING FRONT FLOOR PLATES UNDER PARTITION

A)



FLOOR PLATE

B)



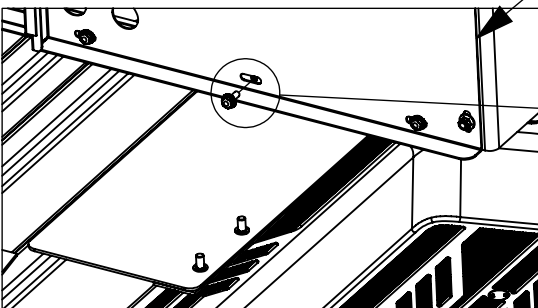
DETAIL A
SCALE 1 : 2

FAS0408
1/2 SOCKET
IMPACT DRIVER

PARTITION FOOTER

FLOOR PLATE

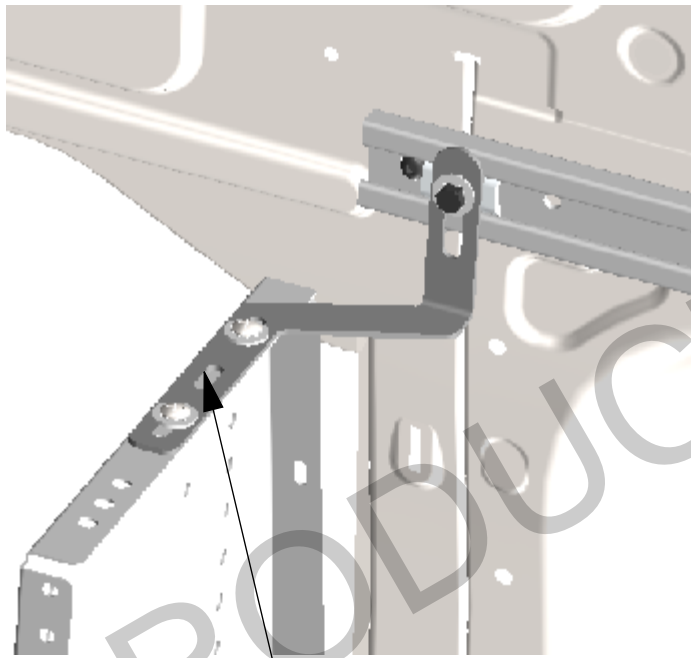
C)



PARTITION

FAS0018
7/16 SOCKET

DETAIL B
SCALE 1 : 2

STEP 7***INSTALLING FRONT UPPER OFFSET SHELF BRACKET IN 130" WB E-VAN
PASSENGER SIDE***

FRT. UPPER OFFSET BRKT. 66534

**PASSENGER SIDE UPPER BRACKET NEEDS TO BE REPLACED DUE TO IT'S
LOCATION TO THE END OF THE RAIL, CAP AND HARDWARE.
REPLACE STANDARD L BRACKET 45339 WITH THE OFFSET BRACKET 66534.
USE STANDARD FASTENERS THAT COME WITH THE RAIL KIT.**