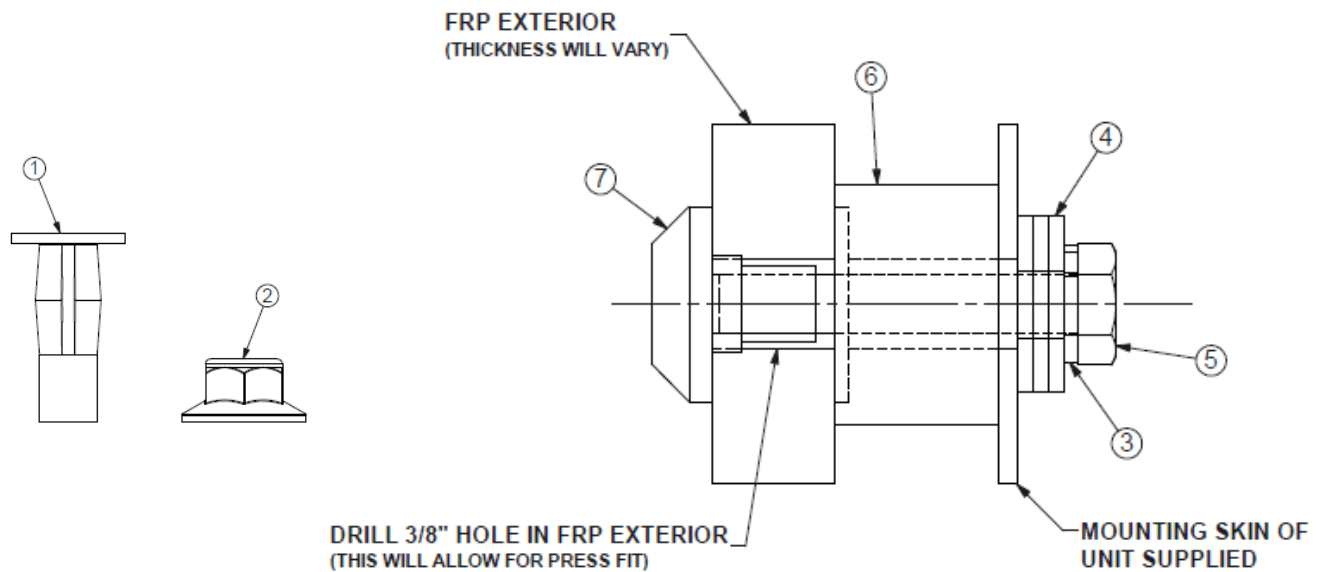




Assembly/Installation Instructions

- This kit includes fastening components for the exterior and the floor.
 - For fastening to the floor, use nut (item 2) and bolt wherever possible. Use plusnuts (item 1) for blind fastening
 - For mounting to the exterior, use fasteners shown in bottom right diagram
- For all vehicles, always set plusnuts through to the sheet metal of the vehicles floor, drilling out an carpet, jute, or floor mat
- Use washers (item 4) as needed, dependent on the thickness
- Drill 3/8" hole for all fasteners

ITEM NO.	PART NUMBER	DESCRIPTION	QTY.
1	FAS0052	PLUSNUT, 1/4-20 PB DC	24
2	FAS0055	NUT,HEX NLK FLG 1/4-20 ZP	24
3	FAS0060	WASHER,LCK SPLIT 1/4 ZP	24
4	FAS0067	WASHER,FLAT USS 1/4 ZP	100
5	FAS0079	SCREW,HH 1/4-20X1.5 G8 ZP	48
6	03927-2	SPACER, FLR, 1010, 11/16 ZP	24
7	25013-0	1/4-20X7/16 PLY SL T-NUT	24



FK1 INSTL KIT FRP WLK-IN VAN