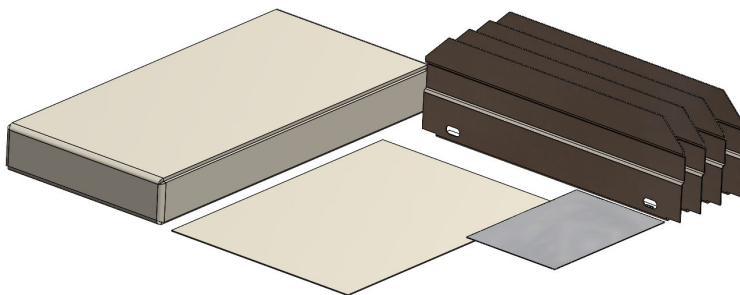




**DIVIDER KIT FOR 12" SHELVING USED WITH 16" END-**

**PRODUCT WEIGHT**  
**3.06 LBS**

**WIDTH x DEPTH x HEIGHT**  
**14.91" x 7.13" x 1.75"**



**CAPACITY**

**N/A**

**COLOR**

**GRAY**

**CATALOG NUMBER**

**DV12C4**

**PRODUCT FEATURES**

**Divider kit for 12" shelving that attaches to the 16" shelving. Includes 4 dividers.**

**SEE PAGE 2 FOR APPLICATION NOTES AND ACCESSORIES, OTHER PRODUCTS THAT WORK WITH THIS UNIT.**

**PAGE 1 of 2**

The information contained in this document is the sole property of ADRIAN STEEL COMPANY. ADRIAN STEEL COMPANY retains the right to modify and/or change the product of its design at any time without prior notification.



**CATALOG NUMBER DV12C4**

***PRODUCT APPLICATION***

**This product is designed to be installed on 12” shelves that mount to 16” shelving end panels.**

***ACCESSORIES THAT WILL WORK WITH THIS PRODUCT***

<b><i>CATALOG NUMBER</i></b>	<b><i>DESCRIPTION</i></b>
SF21232X-G	SHELF, STD, 2X12X32, GRAY
SF21240X-G	SHELF, STD, 2X12X40, GRAY
SF21244X-G	SHELF, STD, 2X12X44, GRAY
SF21250X-G	SHELF, STD, 2X12X50, GRAY
SF21260X-G	SHELF, STD, 2X12X60, GRAY

***SPECIAL APPLICATION NOTES***

INSTR. NUMBER : <b>67023</b>	PG: <b>1</b>	REV: <b>A</b>
PART NUMBER : <b>DVC4 KITS</b>		
PART DESC. : 16" SHELVING DIVIDER KIT		

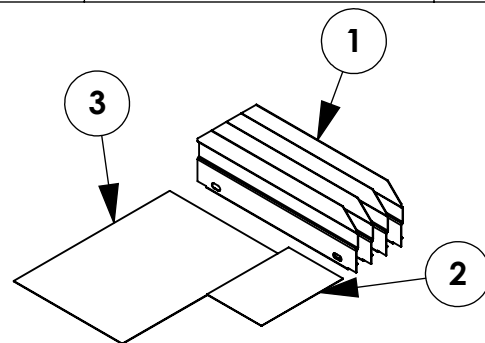
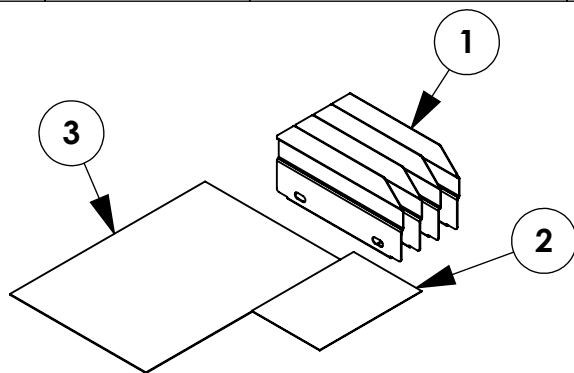
# THESE INSTRUCTIONS ARE FOR ALL DIVIDER KITS USED ON THE 16" SHELVING.

## DV8C4

## DV12C4

ITEM NO.	PART NUMBER	DESCRIPTION	QTY.
1	DV8	8" DIVIDER	4
2	BAG67023	FASTENER BAG FOR DIVIDER KITS	1
3	67023	INSTALL INS FOR DIVIDER KIT	1

ITEM NO.	PART NUMBER	DESCRIPTION	QTY.
1	DV12	12" DIV, BOLT /DROP-IN	4
2	BAG67023	FASTENER BAG FOR DIVIDER KITS	1
3	67023	INSTALL INS FOR DIVIDER KIT	1

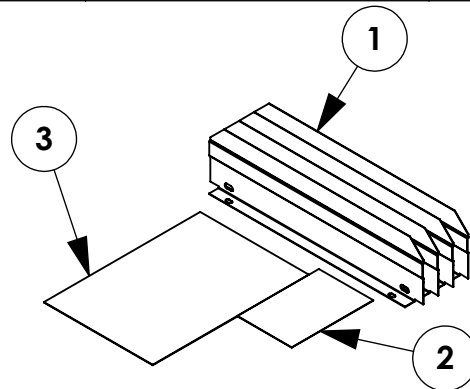
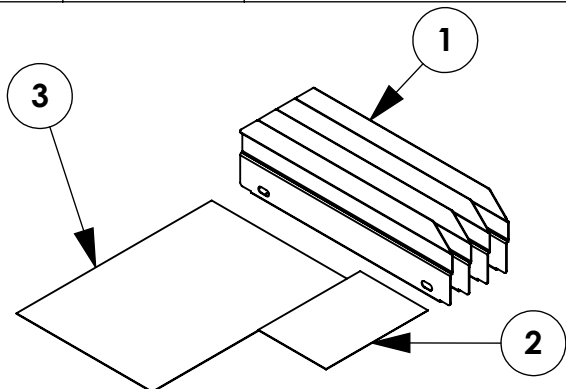


## DV13C4

## DV16C4

ITEM NO.	PART NUMBER	DESCRIPTION	QTY.
1	DV13	13" DIVIDER	4
2	BAG67023	FASTENER BAG FOR DIVIDER KITS	1
3	67023	INSTALL INS FOR DIVIDER KIT	1

ITEM NO.	PART NUMBER	DESCRIPTION	QTY.
1	DV16	DIVIDER 16" HD SHELVES, GRY	4
2	BAG67023	FASTENER BAG FOR DIVIDER KITS	1
3	67023	INSTALL INS FOR DIVIDER KIT	1



**GET TO KNOW THE VEHICLE** - AT THE BEGINNING OF ANY INSTALLATION, CHECK THE LOCATION OF THE FUEL TANK, FUEL LINES, BRAKE LINES, HIGH VOLTAGE BATTERIES AND WIRING HARNESSSES TO AVOID INJURY OR PROPERTY DAMAGE FROM TOOL CONTACT.

**SEAL ALL EXTERIOR HOLES** - ALL INSTALLATION HOLES SHOULD BE SEALED WITH BUTYL TAPE OR SILICON TO PREVENT WATER AND EXHAUST GASES FROM ENTERING THE VEHICLE.

**CONTROL DRILL DEPTH** - TO AVOID DAMAGE TO THE VEHICLE, USE A DRILL STOP OR CLEARED STEP BIT WHEN DRILLING INSTALLATION HOLES.

**ALWAYS ADD PRIMER** - WHEN ADDING INSTALLATION HOLES BE SURE TO USE A SELF-ETCHING PRIMER TO PREVENT CORROSION, FASTENER FAILURE AND INJURY.

**MOUNTING POINTS MUST HAVE METAL-TO-METAL CONTACT** - USE PROVIDED MOUNTING SPACERS TO ACCOMMODATE FOR VEHICLE FEATURES, CARPET OR SUBFLOORS.

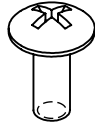
**PROVIDE CLEARANCE FOR SPACERS** - IF THE INSTALLATION VEHICLE CONTAINS A CARPET OR SUBFLOOR, USE A 1-3/16" DIAMETER CARPET CUTTER (P/N: 31183-0) AT ALL MOUNTING LOCATIONS TO OPEN UP ROOM FOR SPACERS.

**CHECK SPACER ORIENTATION** - BE SURE THAT THE INDENT IN THE SPACER COVERS THE PLUSNUT HEAD; THIS ENSURES THE MOST METAL-TO-METAL CONTACT AND REDUCES VIBRATION.

**PLUSNUT INSTALLATION** - A PLUSNUT GUN IS RECOMMENDED FOR PLUSNUT INSTALLATION FOR ITS PRODUCTION SPEED. HOWEVER, A PLUSNUT SETTING TOOL CAN ALSO BE USED (P/N: 22200-0).

**THRU-BOLT CLEARANCE** - WHEN USING A THRU-BOLT AT ANY MOUNTING LOCATION, BE SURE THAT YOUR HOLE HAS 1/16" CLEARANCE.

***FASTENERS USED***



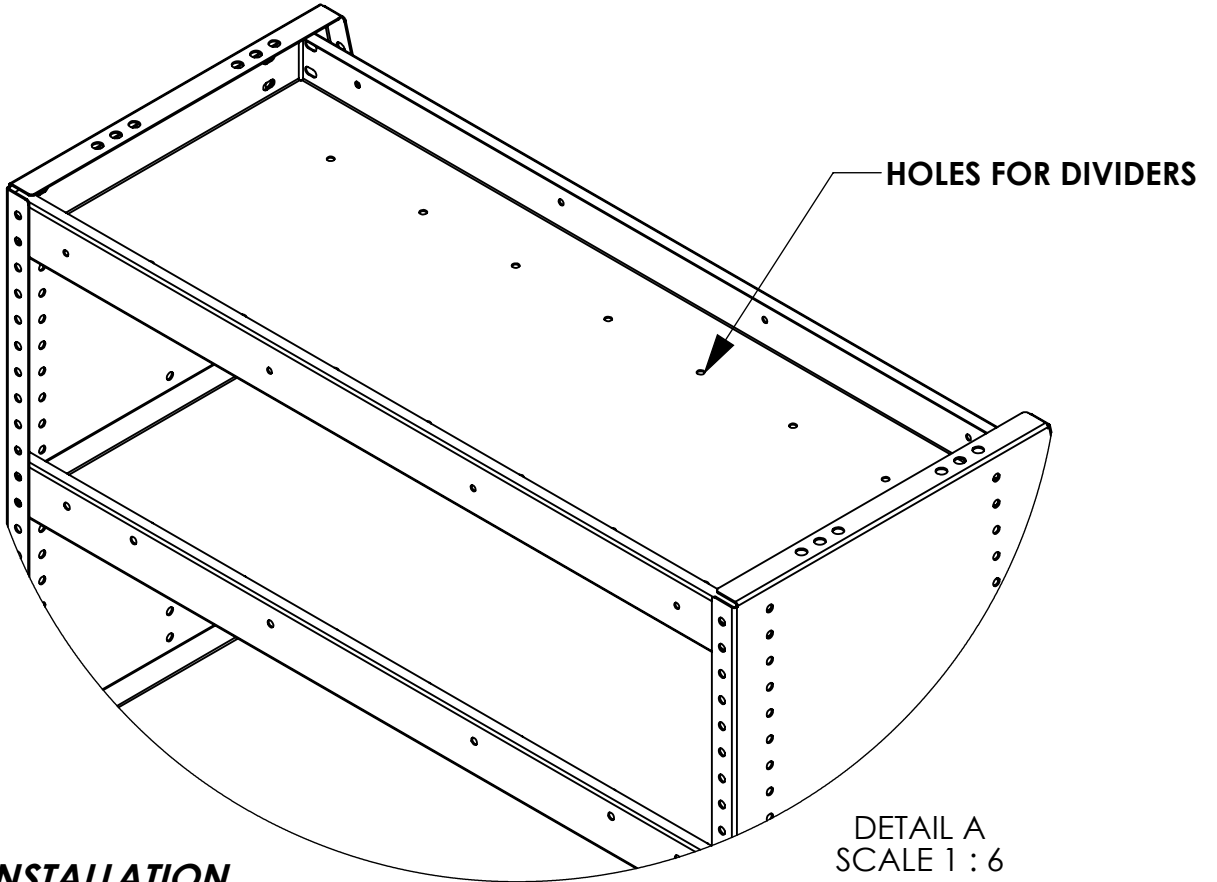
FAS0025  
SCREW, THP 10-24X.50  
QTY: 8



FAS0029  
NUT, HEX NLK 10-24  
QTY: 8

**BEGIN ASSEMBLY**

**STEP 1 - LOCATE THE TWO HOLES THAT THE DIVIDER WILL ALIGN WITH.**



**BEGIN INSTALLATION**

**STEP 2 - FASTEN THE DIVIDER TO THE SHELF.**

