



ADRIAN STEEL

Cargo Management Solutions for Commercial Vehicles

CAULK TUBE HOLDERS

PRODUCT WEIGHT

**1.43, 1.92, 3.35 &
4.27 LBS**

WIDTH X DEPTH X HEIGHT

**7.00" X 3.61" X 5.61"
10.00" X 3.61" X 5.61"
17.00" X 3.61" X 5.61"
22.00" X 3.61" X 5.61"**

CAPACITY

2, 4, 6 & 8 TUBES

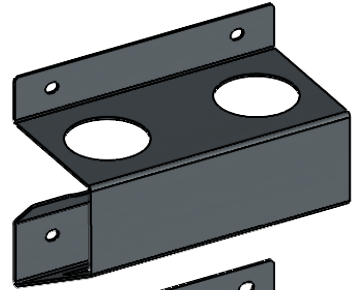
COLOR

GRAY

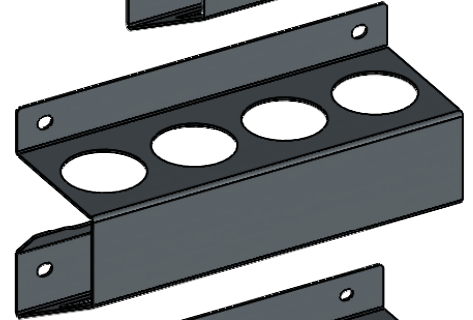
CATALOG NUMBER

SEE RIGHT

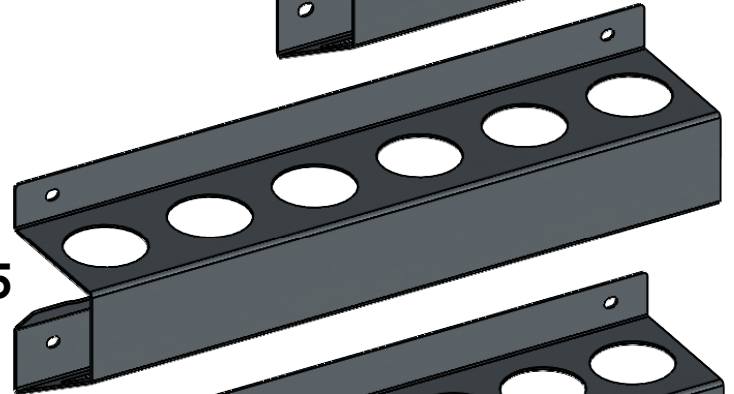
CHS2-5



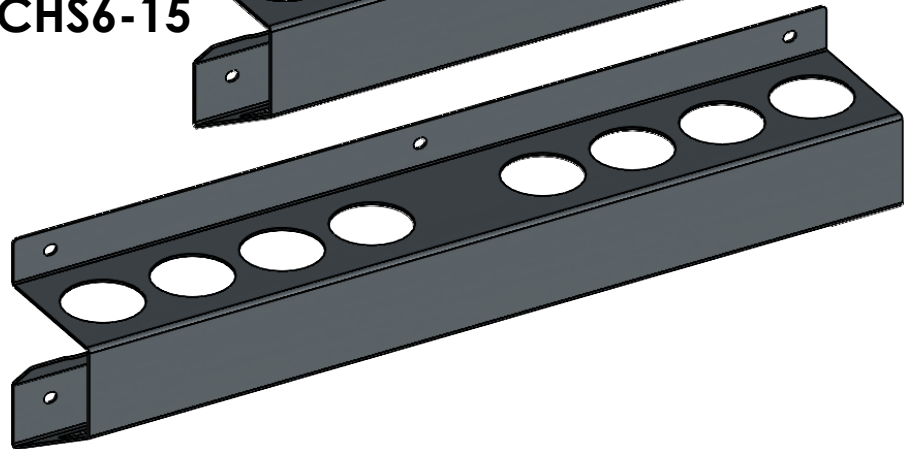
CHS4-8



CHS6-15



CHS8-210



PRODUCT FEATURES

THESE ACCESSORIES ATTACH TO ANY FLAT SURFACE. MOUNTING HARDWARE IS INCLUDED. THEY HOLD VARIOUS SIZE CAULK TUBES THAT ARE 2.00" IN DIAMETER.

CHS4-8 ATTACHES SPECIFICALLY TO SHELVING END PANELS. MOUNTING HARDWARE IS INCLUDED. THIS IS COMPATIBLE WITH ALL PROFILE SERIES SHELVING UNITS.