

PRINTED DOCUMENT IS UNCONTROLLED

REVISION LEVEL: **H**

Part Number: **AD200**

Date:

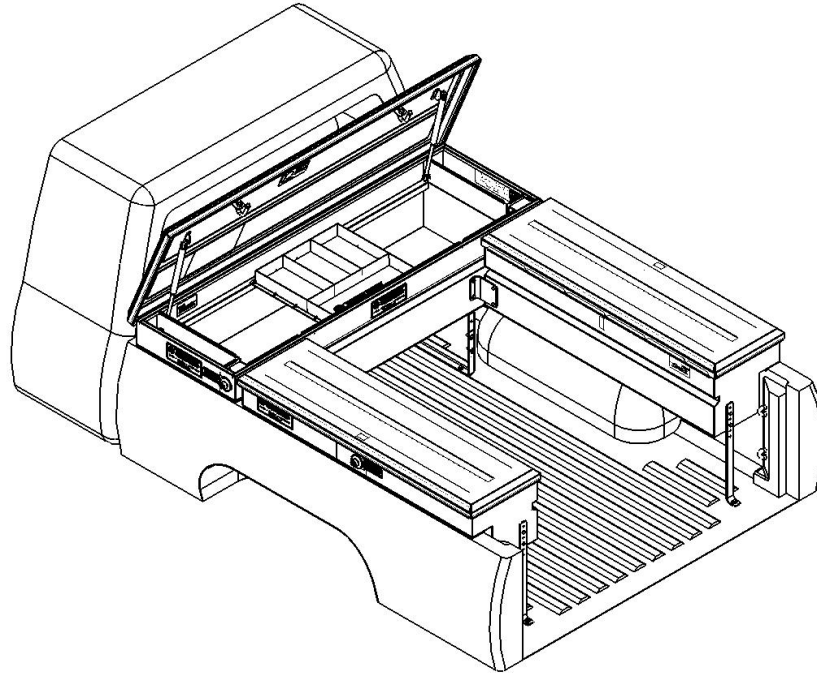
ECN-26780

for reference only!

THIS PRODUCT IS SUBJECT TO CHANGE. ADRIAN STEEL COMPANY RESERVES THE RIGHT TO CHANGE THE PRODUCT OF IT'S DESIGN WITHOUT PRIOR NOTICE.	Shipping Wt. (Lbs.):	906 James St. Adrian, MI 49221 517.265.6194
	Coating/Finish: <b>NATURAL</b>	
THIS DRAWING IS THE PROPERTY OF ADRIAN STEEL COMPANY AND IS NOT TO BE USED IN ANY MANNER DETRIMENTAL TO THE INTERESTS OF ADRIAN STEEL COMPANY.	Do Not Scale This Drawing!	
Part Description: <b>CROSSBOX, DBL 12", FLEETSIDE, FSPU</b>	Part Number: <b>AD200</b>	REVISION LEVEL: <b>H</b>



## Single/Double Lid Cross Box / Sidebox Installation Instructions



ECN- 26780 DATE: 03/14/2024 DWG.BY: JLC REV.BY: TS CHK.BY: \_\_\_\_\_ ISSUE: F P.N.: 26649-0

**ALUMINUM SINGLE LID  
CROSS BOXES**

- AD100
- AD101
- AD101-2
- AD120
- AD150
- AD151
- AD160
- AD190

**ALUMINUM DOUBLE LID  
CROSS BOXES**

- AD200
- AD201
- AD201-2
- AD220
- AD250
- AD260
- AD290

**ALUMINUM  
SIDE BOXES**

- AD302
- AD303
- AD350

**NOTE:**  
AD160 / AD260 CROSS BOXES HAVE  
ADDITIONAL SUPPORT BRACKETS



# Aluminum Toolboxes

## BEFORE YOU START!

THIS PRODUCT IS MEANT TO STORE AND TRANSPORT, HAND TOOLS, SMALL EQUIPMENT OR INERT MATERIALS. ANY MISUSE OR INTENTIONAL MODIFICATION SHALL VOID ANY RESPONSIBILITIES TO THE MANUFACTURE. THIS BOX IS NOT INTENDED TO TRANSPORT ANY EXPLOSIVE OR HAZARDOUS MATERIAL.



IMPORTANT INSTALLATION STEPS ARE DENOTED USING A STOP SIGN. THESE STEPS MUST BE PERFORMED AS SPECIFIED IN ORDER TO ENSURE A PROPER INSTALLATION AND MUST BE FOLLOWED IN ORDER TO MAINTAIN YOUR PRODUCT WARRANTY!



CRITICAL INFORMATION PERTAINING TO USER AND/OR VEHICLE SAFETY IS DENOTED USING A CAUTION SIGN. SAFETY ITEMS MUST BE STRICTLY ADHERED TO IN ORDER TO ENSURE A SAFE WORKING ENVIROMENT!



YOU WILL NEED THE FOLLOWING TOOLS IN ORDER TO COMPLETE THIS JOB.

3/8" ELECTRIC DRILL MOTOR, 9/32" & 13/32" DRILL BITS, 1" diameter HOLE SAW  
COMBINATION END WRENCHES, 7/16" & 1/2"  
RATCHET WRENCH , 7/16" & 1/2" SOCKETS  
TAPE MEASURE, PENCILS, HAMMER, BOX CUTTER, CENTER PUNCH, DEBURR TOOL  
PHILLIPS SCREWDRIVER ( #3 POINT )

ALL FASTENERS USED IN THE ASSEMBLY AND INSTALLATION OF THIS PRODUCT SHOULD BE TIGHTENED TO THE SPECIFIED TORQUE AS LISTED WITH EACH FASTENER CALLOUT BOX.



THE USE OF AIR OR ELECTRIC IMPACT TOOLS FOR THE ASSEMBLY OF FASTENERS IS NOT RECOMMENDED AND COULD CAUSE FASTENER FAILURE!



## WARNING



THE USE OF DRILLS WITH INTEGRAL DRILL STOPS ALONG WITH PROPER INSPECTION FOR GAS TANK, GAS LINES, BRAKE LINES AND ELECTRICAL LINES PRIOR TO DRILLING ANY MOUNTING HOLES IS STRONGLY RECOMMENDED TO ENSURE THAT VEHICLE DAMAGE IS AVOIDED!








# Aluminum Toolboxes

**THE USE OF NON-STANDARD FASTENERS AND/OR DEVIATING FROM THE FASTENERS SPECIFIED IN THE INSTRUCTION(S) MAY VOID YOUR PRODUCT WARRANTY!**

**ALL DRILLED HOLES IN THE VEHICLE SHOULD HAVE THE RAW METAL EDGES SEALED WITH A SELF-ETCHING PRIMER TO RESIST CORROSION AND POTENTIAL FASTENER POINT FAILURE!**

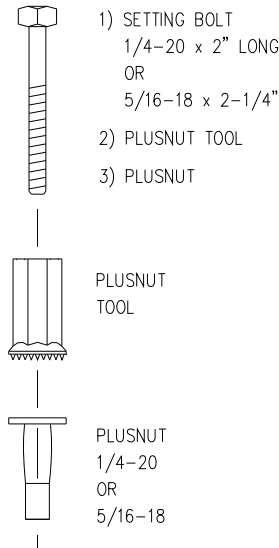
Whenever a plusnut is specified it is important that the proper size installation hole is provided.

PLUSNUT SIZE		DRILL SIZE <i>(with stop)</i>
1/4-20 PLUSNUT, FAS0218		3/8" DIAMETER
5/16-18 PLUSNUT, FAS0091		1/2" DIAMETER
22200-0 PLUSNUT TOOL		<b>NOTE: PLUSNUT TOOL NOT SUPPLIED WITH THIS KIT. ORDER PLUSNUT TOOLS FROM ADRIAN STEEL OR USE INSTALLATION TOOLKIT 31291-0</b>

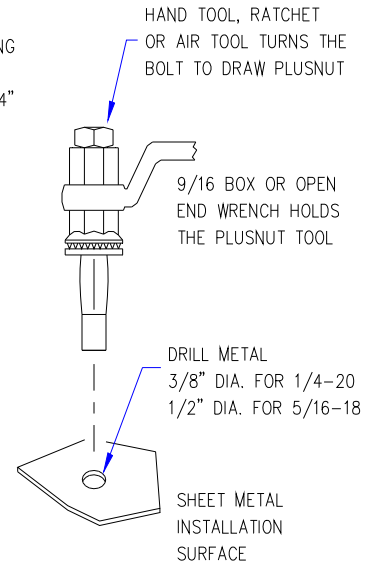
Using specified drill bit with drill stop, drill holes at the marks you made in the pickup bed chassis.

Clean up debris from drilling and Install a 1/4-20UNC plus nut into each hole and set the plusnut as shown in illustration.

ASSEMBLE THE FOLLOWING



SETTING THE PLUSNUT





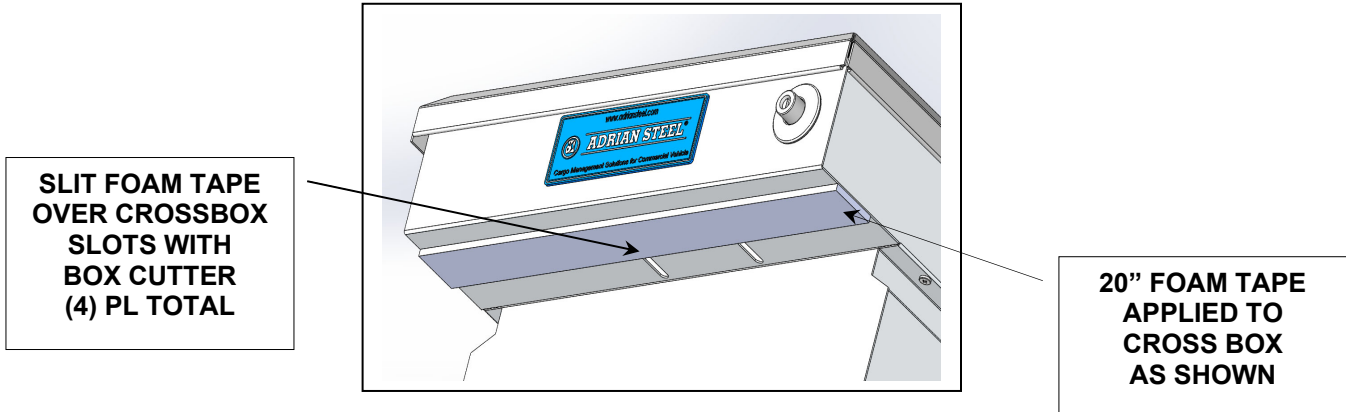
# Aluminum Toolboxes

## STEP – 01

## CROSSBOX FOAM TAPE APPLICATION

If you are installing SIDE BOXES ONLY (NO CROSSBOX) proceed directly to STEP 06 at this time.

Cut supplied foam tape into (2) 20 inch long sections and apply to the cross box (street and curb side). Position foam tape in the approximate center of the tool box flange as shown in detail views below. After foam tape has been applied, using box cutters slit the tape in the crossbox slots to allow inserting of NO-DRILL BRACKET fasteners in the next step.



For 5.5' beds, stack (2) 43305 in each corner on each side to lift the toolbox.







STACK (2) 43305 BETWEEN TOP BED RAIL AND BOTTOM OF FOAM TAPE ON TOOLBOX. DO THIS AT ALL FOUR CORNERS OF TOOLBOX (8ea 43305 TOTAL). THIS KEEPS THE TOOLBOX FROM RESTING ON THE WHEEL WELL.



## Aluminum Toolboxes

### STEP – 02

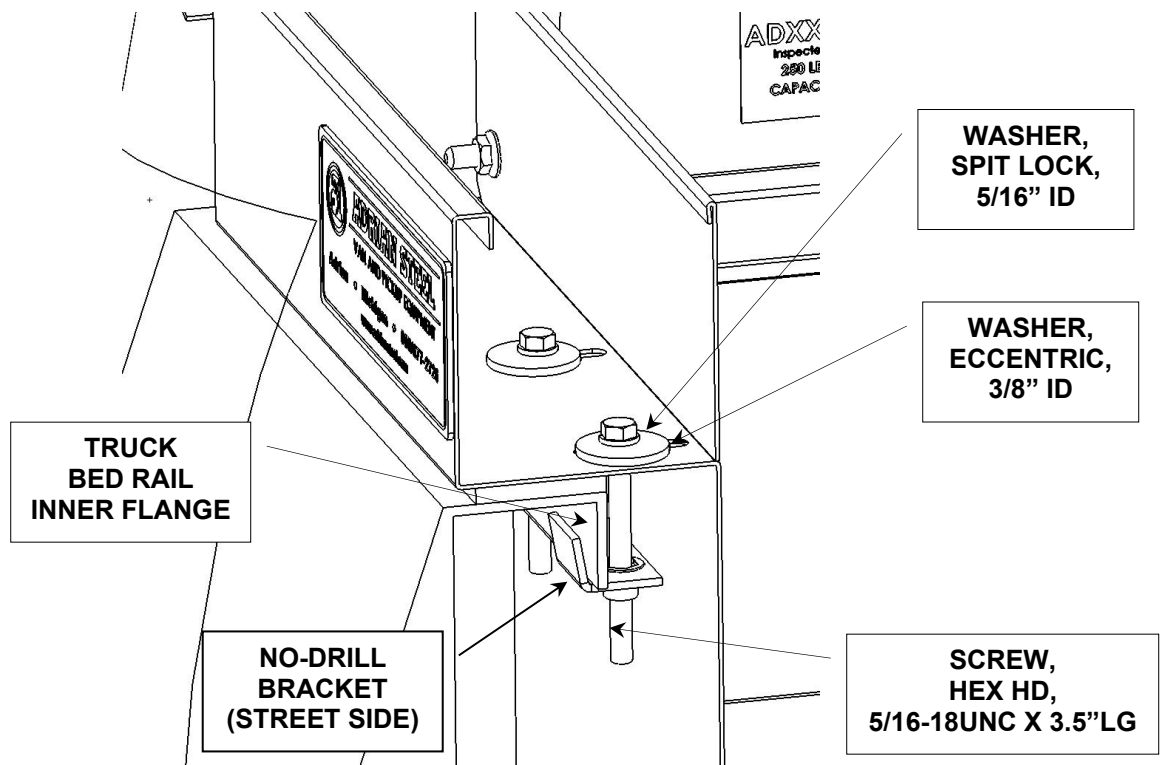
### CROSSBOX & NO-DRILL BRACKET INSTALLATION

 <p><b>FAS0433</b> SCREW, HEX HD, 5/16-18UNC X 3.5" (4) REQ'D</p>	 <p><b>FAS0098</b> WASHER, SPLIT LOCK, 5/16" ID (4) REQ'D</p>	 <p><b>21660-0</b> WASHER, ECCENTRIC, 3/8" ID (4) REQ'D</p>	 <p><b>26648-0</b> NO-DRILL BRACKET W/RIVNUT (2) REQ'D</p>
--	--	--	---

Open the lid and attach the NO-DRILL BRACKETS (ref: 26648-0) to the CROSS BOX as shown below. Thread the 5/16-18UNC x 3.5" hex head screws into the no-drill bracket rivnuts approximately 1/2" and allow brackets to hang freely. Repeat for the opposite side.

Position the NO-DRILL BRACKET and fasteners in toward the center of the toolbox as far as slots will allow.

Place toolbox in truck bed and center toolbox between bed rails. Fully open toolbox lid to check clearance between toolbox lid and cab, or any installed truck bed accessories. Adjust toolbox placement if require. A notch must be cut in "over the rail" and some "under the rail" bedliners to allow the NO-DRILL BRACKETS to be installed correctly.

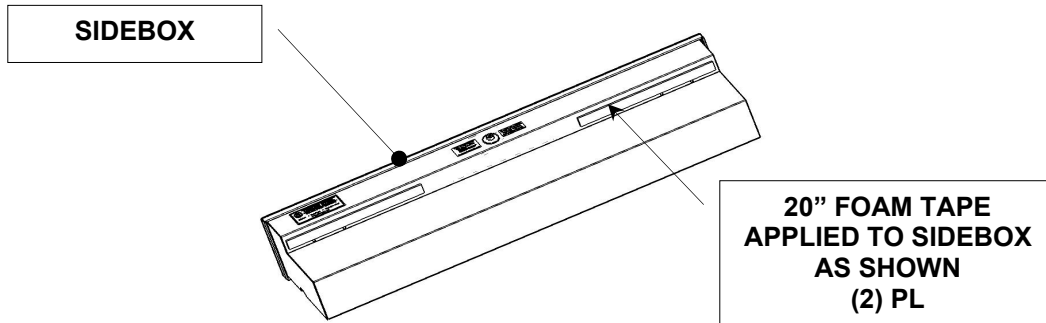




**STEP – 03**




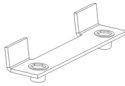
**SIDEBOX FOAM TAPE INSTALLATION**

Cut supplied foam tape into (2) 20 inch long sections. Apply tape to the side box (street and curb side). Position foam tape approximately centered on side box flange as shown in detail views below. After foam tape has been applied, slit the tape in all four slots to allow inserting of no-drill bracket fasteners.



**STEP – 04**

**SIDEBOX & NO-DRILL BRACKET INSTALLATION**

 <p><b>FAS0433</b> SCREW, HEX HD, 5/16-18UNC X 3.5" (8) REQ'D</p>	 <p><b>FAS0098</b> WASHER, SPLIT LOCK, 5/16" ID (8) REQ'D</p>	 <p><b>21660-0</b> WASHER, ECCENTRIC, 3/8" ID (8) REQ'D</p>	 <p><b>26648-0</b> NO-DRILL BRACKET W/RIVNUT (4) REQ'D</p>
--	--	--	---









Open the side box lid and attach the NO-DRILL BRACKETS (ref: 26648-0) as previously outlined in step 02 of the crossbox installation.

Set the SIDEBOX onto the truck bed rails as shown below. Allow NO-DRILL BRACKET to hang freely between bed rails and sidebox. Slide sidebox forward until the sidebox and crossbox are in line (or as close as possible) on truck bed rails. A notch must be cut in "over the rail" and some "under the rail" bedliners to allow the NO\_DRILL BRACKETS to be installed correctly. Leave enough clearance between the sidebox and crossbox so that lids will open freely without contacting each other.



**STEP – 05**

**SIDEBOX / CROSSBOX SUPPORT BRACKET INSTALLATION**

 <p><b>FAS0063</b> SCREW, HEX HD, 1/4-20UNC X 3/4" (4) REQ'D</p>	 <p><b>FAS0060</b> WASHER, SPLIT LOCK, 1/4" ID (2) REQ'D</p>	 <p><b>FAS0067</b> WASHER, FLAT, 1/4" ID (2) REQ'D</p>	 <p><b>28402-0</b> SIDE BOX LEG BRACKET (2) REQ'D</p>
 <p><b>FAS0078</b> SCREW, HEX HD, 1/4-20UNC X 1" (2) REQ'D</p>	 <p><b>FAS0218</b> 1/4-20UNC PLUSNUT (2) REQ'D</p>	 <p><b>FAS0055</b> NUT, HEX FLANGE, 1/4-20UNC (4) REQ'D</p>	 <p><b>28403-0</b> SIDE BOX TIE BRACKET (1) REQ'D</p>

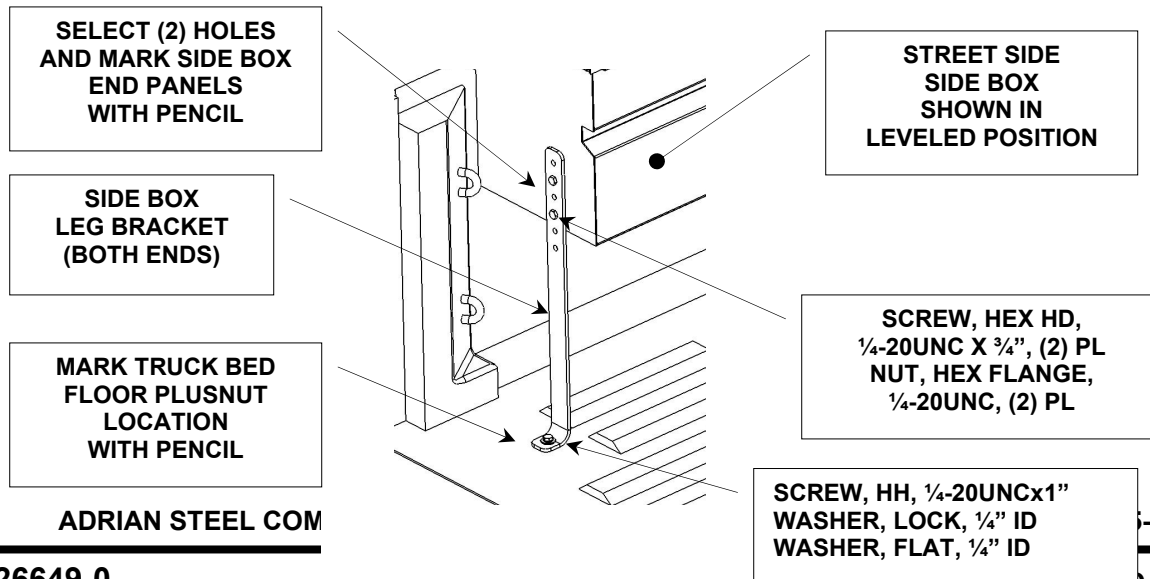
Position the SIDEBOX LEG BRACKETS vertically as shown below, to allow for clearance of the wheelhouse. Mark (2) of the (6) through holes in the bracket on the end wall of the side box. Next mark the through hole for the truck bed floor plusnut location.

Center punch all marked holes. Drill a 9/32" diameter through hole (2) places on each side box end panel and deburr holes as required. Inspect for gas tank, gas line, and/or any electrical line locations prior to drilling. Drill a 13/32" diameter hole in the truck bed floor. Use drill with drill stops set for 1/2" drill depth.

Set the 1/4-20UNC plusnuts into the 13/32" diameter holes you just drilled into the truck bed floor. Follow the plusnut setting instructions at the beginning of this installation instruction. After all the plusnuts have been set, position and secure the leg brackets to the side box end panels using the fasteners listed. Secure the leg brackets to the truck bed floor with the fasteners listed.

**STEP – 05**

**(continued)**

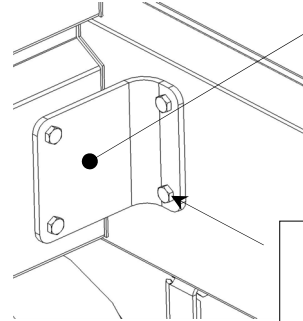
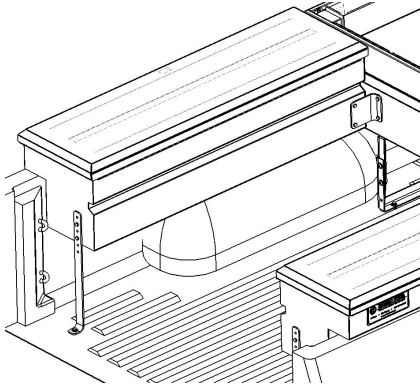




# Aluminum Toolboxes

Position the SIDEBOX TIE BRACKET as shown, mark all (4) through holes on the crossbox and side box panels. Center punch all (4) holes and drill a 9/32" diameter hole, deburr holes as required.

Align the through holes in the TIE BRACKET with the drill holes in the crossbox and sidebox. Secure the TIE BRACKET in place using fasteners shown below.



**SIDEBOX TIE  
BRACKET**

**SCREW, HEX HD,  
1/4-20UNC X 3/4", (2) PL  
NUT, HEX FLANGE,  
1/4-20UNC, (2) PL**

**STOP**

**DOUBLE-CHECK ALL FASTENER LOCATIONS TO BE  
SURE THAT ALL FASTENERS ARE TIGHTENED TO  
SPECIFICATIONS!**

**STOP**

**YOUR INSTALLATION OF YOUR CROSSBOX AND SIDBOXES IS NOW COMPLETE!  
STOW THIS COPY IN THE VEHICLE FOR FUTURE REFERANCE!**



# Aluminum Toolboxes

## THE SECTION OUTLINES INSTALLATION OF (2) SIDEBOXES ONLY!








### STEP – 06

#### SIDEBOX FOAM TAPE INSTALLATION & NO-DRILL BRACKET INSTALLATION PLEASE REFERE TO STEPS 3 & 4 ABOVE.

Cut supplied foam tape into (2) 20 inch long sections and apply to the side box. Position foam tape approximately centered on side box flange as shown in detail views below. After foam tape has been applied, slit the tape in the side box fastener slots to allow inserting of no-drill bracket fasteners.

### STEP – 07

#### SIDE BOX SUPPORT BRACKETS INSTALLATION

 <b>FAS0063</b> SCREW, HEX HD, 1/4-20UNC X 3/4" (8) REQ'D	 <b>FAS0060</b> WASHER, SPLIT LOCK, 1/4" ID (4) REQ'D	 <b>FAS0067</b> WASHER, FLAT, 1/4" ID (4) REQ'D	 <b>28402-0</b> SIDE BOX LEG BRACKET (4) REQ'D
 <b>FAS0078</b> SCREW, HEX HD, 1/4-20UNC X 1" (4) REQ'D	 <b>FAS0218</b> 1/4-20UNC PLUSNUT (4) REQ'D	 <b>FAS0055</b> NUT, HEX FLANGE, 1/4-20UNC (8) REQ'D	

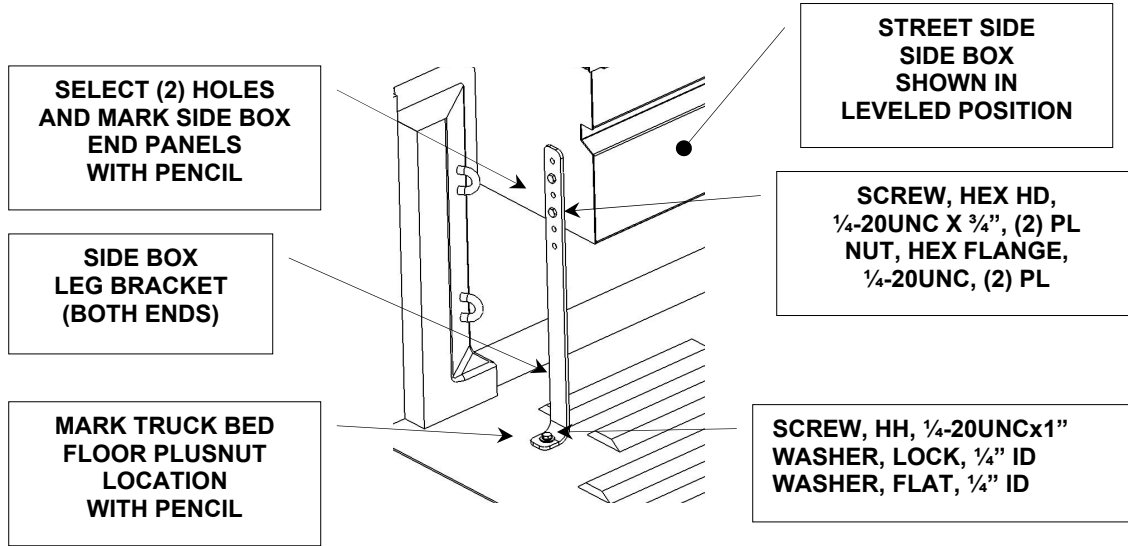
Position the SIDEBOX LEG BRACKETS vertically as shown below, to allow for clearance of the wheelhouse. Select (2) holes and mark both front & rear as shown below. Next mark the through hole location for the truck bed floor plusnut location on both ends.

Center punch all marked holes Drill a 9/32" diameter through hole (2) places on each of the sidebox end panel marked hole locations, deburr holes as required. Inspect for gas tank, gas line, and/or any electrical line locations prior to drilling. Next drill a 13/32" diameter hole in the truck bed floor. Use drill with drill stops set for 1/2" drill depth. Set plusnuts into truck bed floor. After all the plusnuts have been set, position and secure the leg brackets to both of the sidebox end panels using the fasteners shown. Secure the leg brackets to the truck bed floor with the fasteners listed on next page.



# Aluminum Toolboxes

Repeat procedure for the sidebox opposite side.



**DOUBLE-CHECK ALL FASTENER LOCATIONS TO BE SURE THAT ALL FASTENERS ARE TIGHTENED TO SPECIFICATIONS!**



**YOUR INSTALLATION OF YOUR SIDEBOXES IS NOW COMPLETE! STOW THIS COPY IN THE VEHICLE FOR FUTURE REFERENCE!**