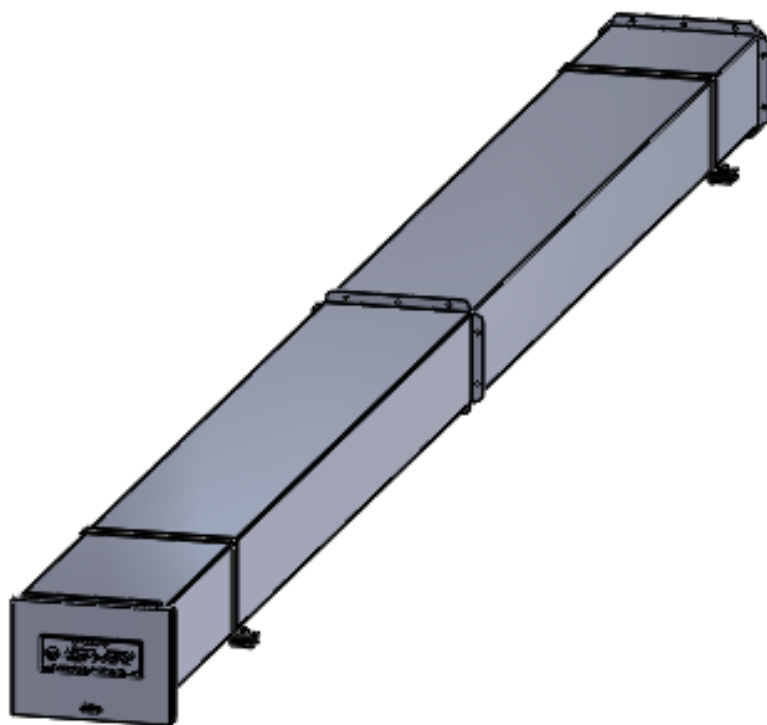




Conduit Kit, 10w x 6h x 150d, Multiple Vehicles



PRODUCT WEIGHT
42 LBS

WIDTH x DEPTH x HEIGHT
10" x 150" X 6"

CAPACITY
N/A

COLOR
**DIAMOND TREAD
ALUMINUM**

CATALOG NUMBER
80-2NGLR

PRODUCT FEATURES

Diamond treadplate aluminum box conduit kit for PROFILE™ HD Utility, grip lock, drop down, and combo ladder racks. Works on full size van platforms. Works with all uprights and rear rollers. DOES NOT work with the Dual-Sided ProLift ladder rack on high roof vehicles (ex. PLM63___).

Utility style ladder racks are not recommended for medium and high roof vehicles!

Please refer to OEM specific mounting kit and rail kit for additional information on compatible accessories.

SEE PAGE 2 FOR APPLICATION NOTES AND ACCESSORIES, OTHER PRODUCTS THAT WORK WITH THIS UNIT.

PAGE 1 of 2

The information contained in this document is the sole property of ADRIAN STEEL COMPANY. ADRIAN STEEL COMPANY retains the right to modify and/or change the product of its design at any time without prior notification.



CATALOG NUMBER 80-2NGLR

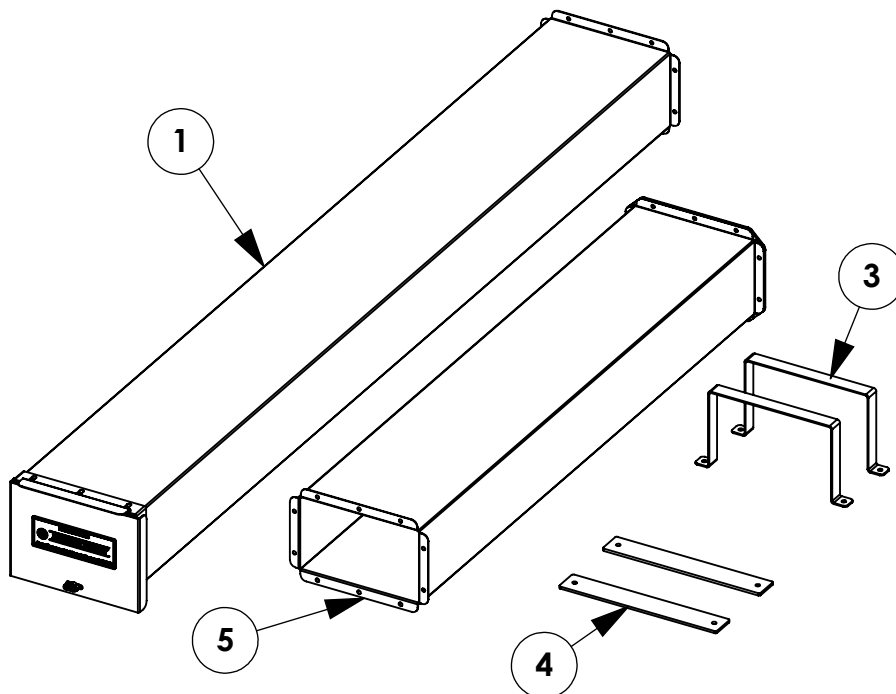
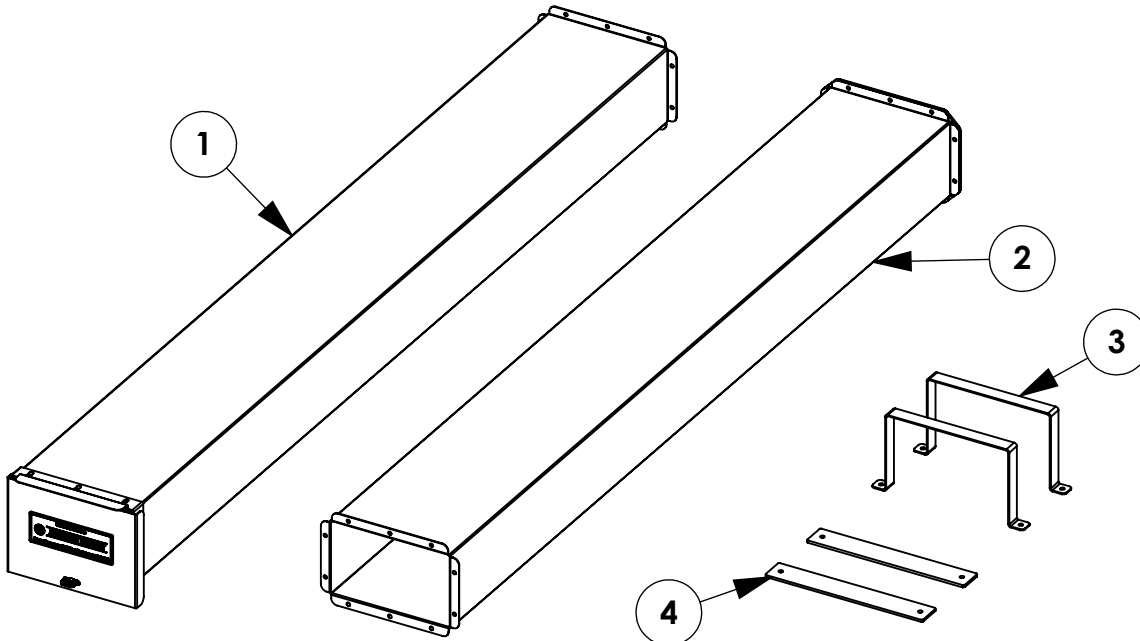
PRODUCT APPLICATION

This product is for PROFILE™ HD Utility, grip lock, drop down, and combo ladder racks. Works on all full size van platforms. Utility and grip lock style ladder racks are not recommended for medium or high roof vehicles! DOES NOT work with the Dual-Sided ProLift Ladder rack on high roof vehicles (ex. PLM63___).

ACCESSORIES THAT WILL WORK WITH THIS PRODUCT

CATALOG NUMBER	DESCRIPTION
2BARW	2-Crossbar Kit, 68", White, Full Size Van
1BARW	Single Crossbar Kit, 68", White, Full Size Van

INSTR. NUMBER : 64438	PG: 1	REV: D	ITEM NO.	PART NUMBER	DESCRIPTION	80-2NGLR	80-1NGLR
PART NUMBER • 80-2NGLR PART NUMBER • 80-1NGLR			1	20934-0	Alum Conduit Carrier	1	1
			2	26554-0	REAR 12' ASSEMBLY	1	-
PART • CONDUIT, ALUM 12'6", NGLR DESC. • CONDUIT, ALUM 10'6", NGLR			3	63744	CONDUIT STRAP, BOX	2	2
			4	63909-W	CONDUIT SPACER, BOX, WHITE	2	2
			5	26553-0	REAR 10' ASSEMBLY	-	1



TOOLS NEEDED:
- SAW
- 1/2" SOCKET
- 7/16" SOCKET
- 7/16" WRENCH
- DRIVE RATCHET
- TAPE MEASURE

GET TO KNOW THE VEHICLE - AT THE BEGINNING OF ANY INSTALLATION, CHECK THE LOCATION OF THE FUEL TANK, FUEL LINES, BRAKE LINES, HIGH VOLTAGE BATTERIES AND WIRING HARNESES TO AVOID INJURY OR PROPERTY DAMAGE FROM TOOL CONTACT.

SEAL ALL EXTERIOR HOLES - ALL INSTALLATION HOLES SHOULD BE SEALED WITH BUTYL TAPE OR SILICON TO PREVENT WATER AND EXHAUST GASES FROM ENTERING THE VEHICLE.

CONTROL DRILL DEPTH - TO AVOID DAMAGE TO THE VEHICLE, USE A DRILL STOP OR CLEARED STEP BIT WHEN DRILLING INSTALLATION HOLES.

ALWAYS ADD PRIMER - WHEN ADDING INSTALLATION HOLES BE SURE TO USE A SELF-ETCHING PRIMER TO PREVENT CORROSION, FASTENER FAILURE AND INJURY.

MOUNTING POINTS MUST HAVE METAL-TO-METAL CONTACT - USE PROVIDED MOUNTING SPACERS TO ACCOMMODATE FOR VEHICLE FEATURES, CARPET OR SUBFLOORS.

PROVIDE CLEARANCE FOR SPACERS - IF THE INSTALLATION VEHICLE CONTAINS A CARPET OR SUBFLOOR, USE A 1-3/16" DIAMETER CARPET CUTTER (P/N: 31183-0) AT ALL MOUNTING LOCATIONS TO OPEN UP ROOM FOR SPACERS.

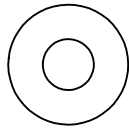
CHECK SPACER ORIENTATION - BE SURE THAT THE INDENT IN THE SPACER COVERS THE PLUSNUT HEAD; THIS ENSURES THE MOST METAL-TO-METAL CONTACT AND REDUCES VIBRATION.

PLUSNUT INSTALLATION - A PLUSNUT GUN IS RECOMMENDED FOR PLUSNUT INSTALLATION FOR ITS PRODUCTION SPEED. HOWEVER, A PLUSNUT SETTING TOOL CAN ALSO BE USED (P/N: 22200-0).

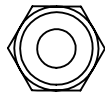
THRU-BOLT CLEARANCE - WHEN USING A THRU-BOLT AT ANY MOUNTING LOCATION, BE SURE THAT YOUR HOLE HAS 1/16" CLEARANCE.

FASTENERS & HARDWARE USED

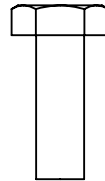
BAG REFERENCE: BAG64350



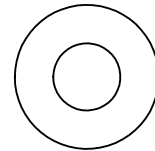
FAS0234
1/4 SS
FLAT WASHER
QTY: 20



FAS0125
1/4-20 SS
HH NLK NUT
QTY: 10



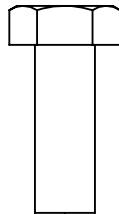
FAS0548
1/4-20X0.75 SS
HH SCREW
QTY: 10



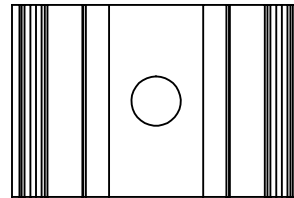
FAS0552
5/16 SS
FLAT WASHER
QTY: 4



FAS0588
5/16 SS
LOCK WASHER
QTY: 4



FAS0283
5/16-18X0.875
HH SCREW, SS
QTY: 4

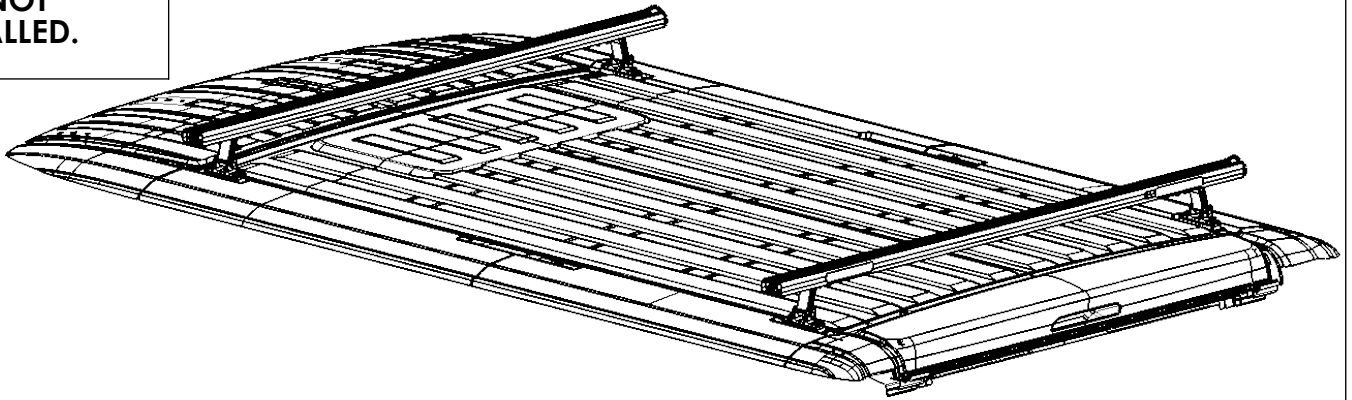


63490
RAIL SLIDE, 1"
QTY: 4

INTENTIONALLY LEFT BLANK

STEP 1 - CHECK RACK PROGRESS

**Step 1.1
CONDUIT KIT IS
MOST EASILY
INSTALLED
WHEN RACK IS
ON THE ROOF.
BE SURE THAT
THE WEAR STRIP
AND DRIVER'S
SIDE END CAPS
ARE NOT
INSTALLED.**



STEP 2 - CUT WEAR STRIP

**Step 2.1
CUT WEAR STRIP
DOWN TO (3)
SECTIONS AND
KEEP THESE (2).
SAW**



Step 2.1



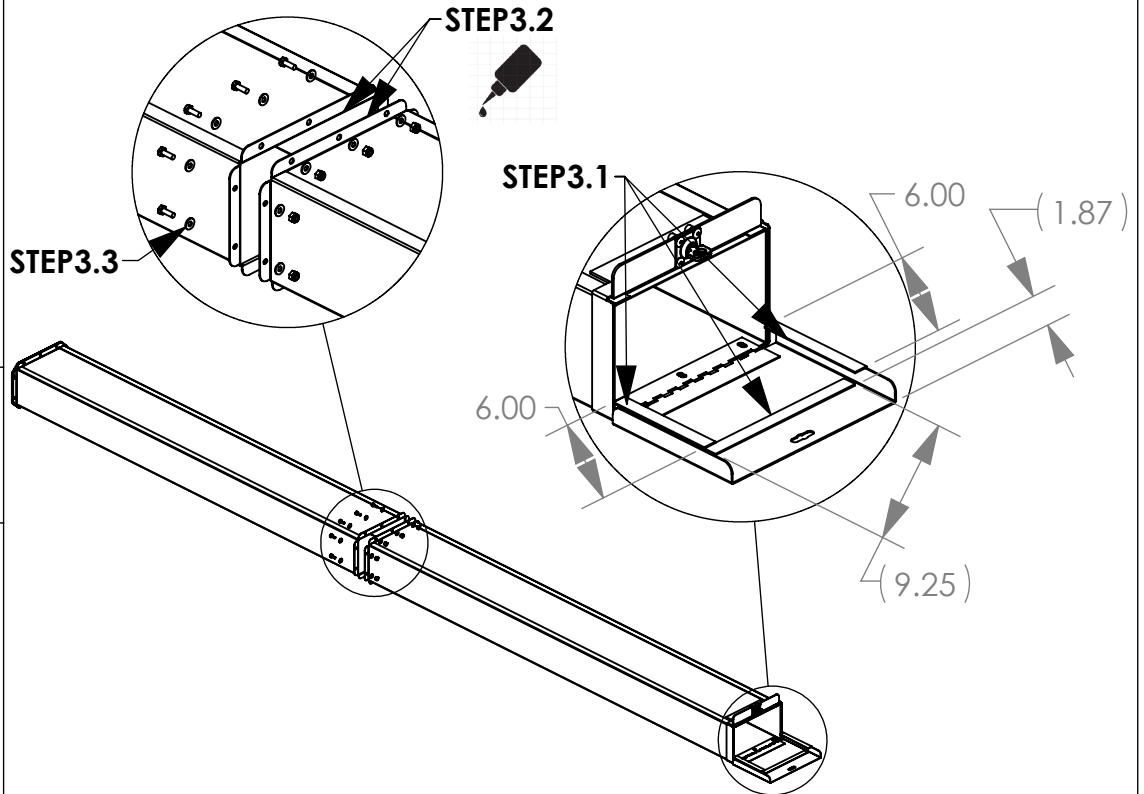
**ADD ONE OF THE CUT WEAR STRIPS
TO EACH OF THE CROSSBOWS.**

STEP 3 - ASSEMBLE CONDUIT KIT BODY

Step 3.1
CUT (2) 6" ADHESIVE STRIP TO LENGTH. CUT 3RD PIECE OF FOAM TAPE TO FIT BETWEEN SIDE PIECES. APPLY THEM TO THE INSIDE OF THE DOOR LID PANEL.

Step 3.2
SECURE ALL TABS WITH SILICONE.

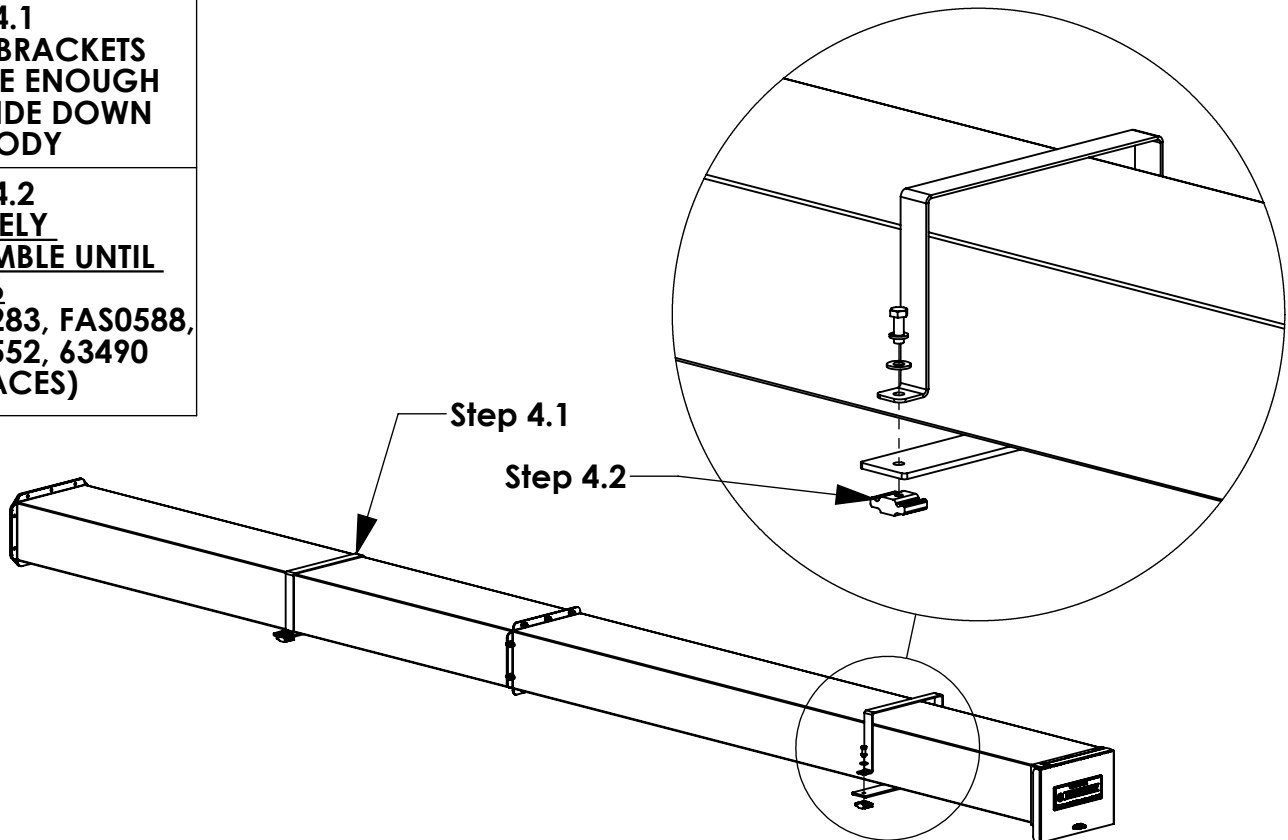
Step 3.3
FULLY TIGHTEN FAS0548, (2)FAS0234, FAS0125 (10 PLACES) 7/16 SOCKET 7/16 WRENCH



STEP 4 - ASSEMBLE CONDUIT KIT BRACKETS

Step 4.1
KEEP BRACKETS LOOSE ENOUGH TO SLIDE DOWN THE BODY

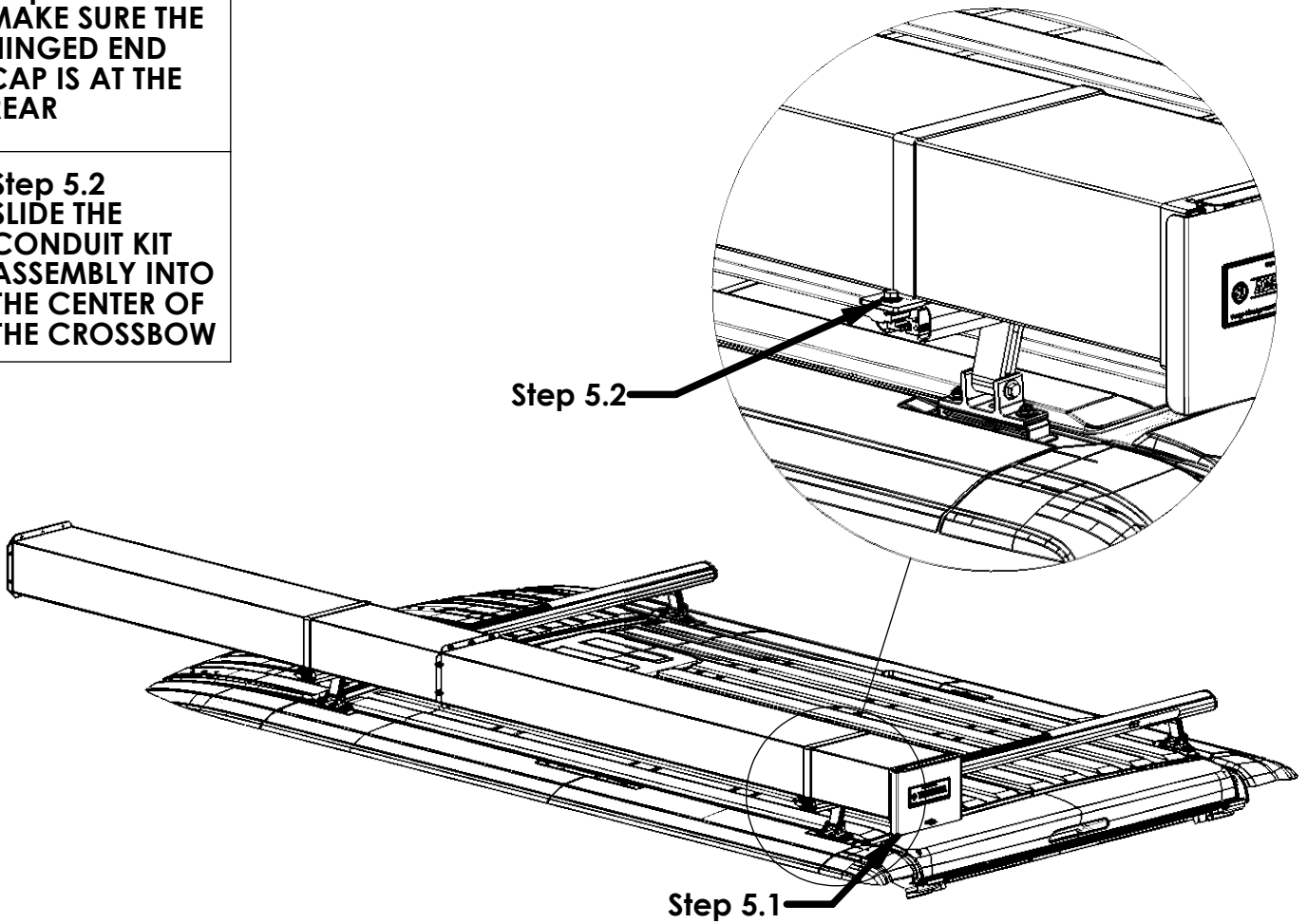
Step 4.2
LOOSELY ASSEMBLE UNTIL STEP 6 FAS0283, FAS0588, FAS0552, 63490 (4 PLACES)



STEP 5 - INSTALL CONDUIT KIT ONTO RACK

**Step 5.1
MAKE SURE THE
HINGED END
CAP IS AT THE
REAR**

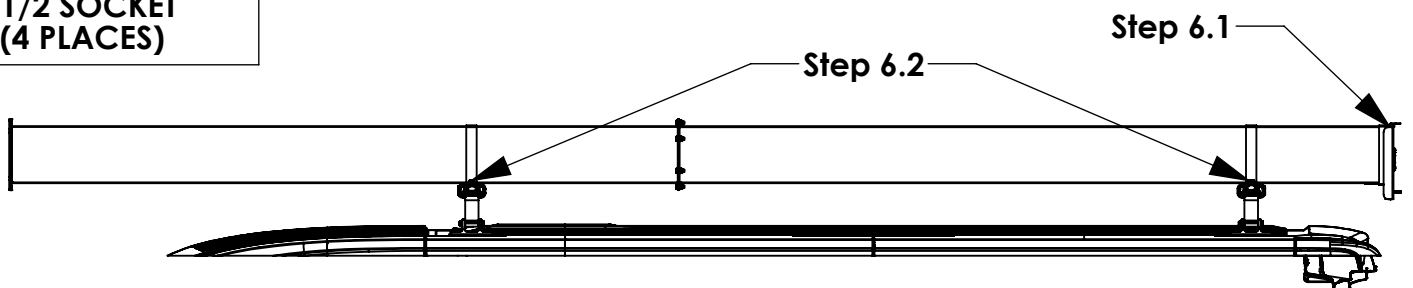
**Step 5.2
SLIDE THE
CONDUIT KIT
ASSEMBLY INTO
THE CENTER OF
THE CROSSBOW**



STEP 6 - SECURE CONDUIT KIT

**Step 6.1
ALIGN THE END
OF THE CONDUIT
KIT WITH THE
REAR OF THE
VEHICLE**

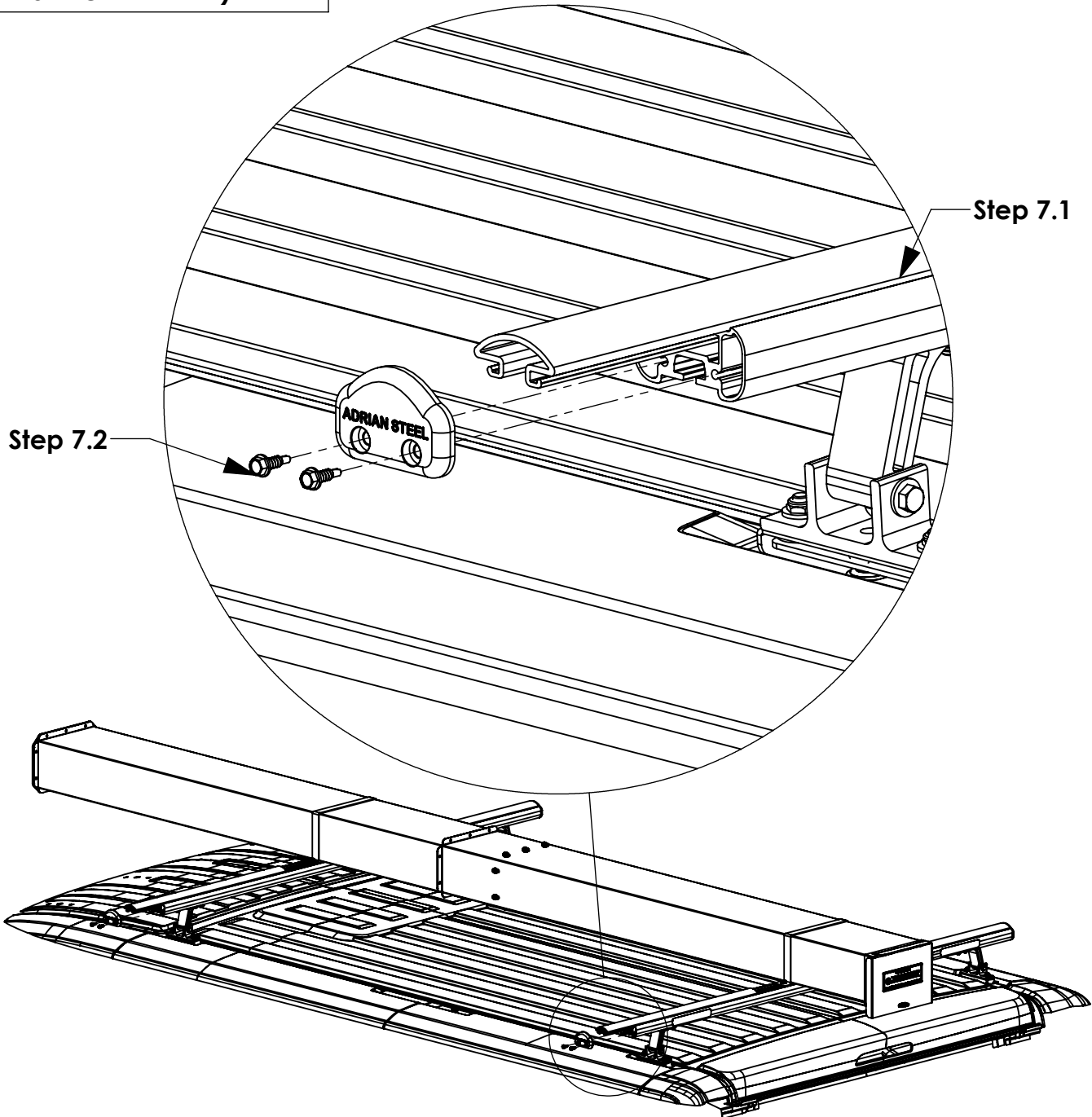
**Step 6.2
FULLY TIGHTEN
CONDUIT KIT
1/2 SOCKET
(4 PLACES)**



STEP 7 - SECURE CONDUIT KIT

Step 7.1
ADD THE SECOND, CUT
WEAR STRIP TO EACH
CROSSBOW

Step 7.2
FULLY TIGHTEN
FAS0473
(2 PLACES PER CROSSBOW)
5/16 SOCKET
(FAS FROM 2BARW)



MAKE SURE ALL FASTENERS ARE TIGHTENED!!! INSTALLATION IS COMPLETE