

97dB Backup Alarm Kit - Ford Maverick

CATALOG NUMBER

69406

Wire Harness

Backup Alarm



PRODUCT FEATURES

- This product is compatible with a Ford Maverick.
- Included in this kit is a 97dB backup alarm (64019) and a wire harness (66400).
- There are no required OEM options for this product.
- This product is not compatible with the BLISS system.
- How this product works: As the vehicle approaches different objects the alarm will sound while the vehicle is in reverse.

Model Year Validated:

2024

PURCHASED COMPONENT KEY FEATURES

DESCRIPTION OF REQUIREMENTS

DIMENSIONAL REQUIREMENTS (AS SHOWN ON DRAWING)

N/A

LOAD/RATING REQUIREMENT

N/A

MATERIAL REQUIREMENT

N/A

PACKAGING REQUIREMENT

N/A

OTHER REQUIREMENTS

Note:

97dB Backup Alarm module

Alarm only, requires vehicle specific harness



THIS DRAWING IS THE PROPERTY OF ADRIAN STEEL COMPANY AND IS NOT TO BE USED IN ANY MANNER DETRIMENTAL TO THE INTERESTS OF ADRIAN STEEL COMPANY

TOLERANCES & INSPECTION

UNLESS OTHERWISE SPECIFIED

ALL BEND ANGLES ARE 90 DEGREES

ALL DIMENSIONS ARE IN INCHES.

REFERENCE DIMENSIONS (X.XXX)
DO NOT REQUIRE INSPECTION

FEATURES	HOLES/SLOTS	ANGLES
0.0 = ± .125	0.0 = ± .062	0° = ± 2°
0.00 = ± .062	0.00 = ± .031	0.0° = ± 1°
0.000 = ± .031	0.000 = ± .015	

Material Thickness: per ASTM Std.
Weld Callouts per AWS

RELEASE & REVISIONS

INITIAL ECN: **24579**

CURRENT ECN: **25366**

ECN DESCRIPTION:

Update PPDS for B/U Alarm and GPS Reader

REVISED BY: **JLT**

PURCHASED COMPONENT

REFERENCED SUPPLIER AND/OR MANUFACTURER

AAMP

REFERENCED SUPPLIER AND/OR MANUFACTURER PART NUMBER

BUA-97C

COLOR (ONLY LIST IF COLOR SPECIFIC)

COMODITY ITEM (Y/N) (YES = ALL DIMENSIONS AND NOTES ARE REFERENCE)
(NOTE: DIMENSIONS AND FEATURES MAY VARY FOR A COMODITY ITEM.)

YES

PRINTED DOCUMENT IS UNCONTROLLED

Sheet 1 of 1

PART / PRODUCT IDENTIFICATION



ADRIAN STEEL®

ADRIAN STEEL COMPANY
906 JAMES STREET, ADRIAN, MI 49221

REVISION LEVEL

C

MAT'L USED:

DESIGNED BY: **A. BUSSING**

DESCRIPTION:

B/U ALM. MODULAR

WEIGHT (Lbs.): **1.0**

SEGMENT CODE: **ALA**

PART NUMBER: **64019**

PURCHASED COMPONENT KEY FEATURES

DESCRIPTION OF REQUIREMENTS

DIMENSIONAL REQUIREMENTS (AS SHOWN ON DRAWING)

N/A

LOAD/RATING REQUIREMENT

N/A

MATERIAL REQUIREMENT

N/A

PACKAGING REQUIREMENT

N/A

OTHER REQUIREMENTS

Plug & Play Harness, does not include alarm.



THIS DRAWING IS THE PROPERTY OF ADRIAN STEEL COMPANY AND IS NOT TO BE USED IN ANY MANNER DETRIMENTAL TO THE INTERESTS OF ADRIAN STEEL COMPANY

TOLERANCES & INSPECTION

UNLESS OTHERWISE SPECIFIED

ALL BEND ANGLES ARE 90 DEGREES

ALL DIMENSIONS ARE IN INCHES.

REFERENCE DIMENSIONS (X.XXX)
DO NOT REQUIRE INSPECTION

FEATURES	HOLES/SLOTS	ANGLES
0.0 = ± .125	0.0 = ± .062	0° = ± 2°
0.00 = ± .062	0.00 = ± .031	0.0° = ± 1°
0.000 = ± .031	0.000 = ± .015	

Material Thickness: per ASTM Std.
Weld Callouts per AWS

RELEASE & REVISIONS

INITIAL ECN: **28195**

CURRENT ECN: **28195**

ECN DESCRIPTION:

RELEASE TO PRODUCTION

REVISED BY: **RLR**

PURCHASED COMPONENT

REFERENCED SUPPLIER AND/OR MANUFACTURER

Stinger

REFERENCED SUPPLIER AND/OR MANUFACTURER PART NUMBER

P-BUA-MAVERICK-25

COLOR (ONLY LIST IF COLOR SPECIFIC)

COMODITY ITEM (Y/N) (YES = ALL DIMENSIONS AND NOTES ARE REFERENCE)

(NOTE: DIMENSIONS AND FEATURES MAY VARY FOR A COMODITY ITEM.)

YES

PRINTED DOCUMENT IS UNCONTROLLED

Sheet 1 of 1

PART / PRODUCT IDENTIFICATION



ADRIAN STEEL®

ADRIAN STEEL COMPANY
906 JAMES STREET, ADRIAN, MI 49221

REVISION LEVEL

A

MAT'L USED: **PURCHASED**

DESIGNED BY: **R. Rambo**

DESCRIPTION: **HARN, BUA MA 2025 MY**

WEIGHT (Lbs.): **0.2**

SEGMENT CODE: **ELE**

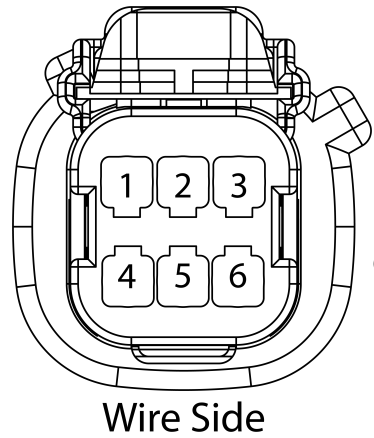
PART NUMBER: **77232**

Bill of Materials				
Id	Type	Manufacturer	Part Number	Quantity
1	Wire		18 AWG Gray	4 in
2	Wire		18 AWG Blue	4 in
3	Wire		18 AWG Red	30 in
4	Wire		18 AWG White	4 in
5	Wire		18 AWG Yellow	4 in
6	Wire		18 AWG Black	32 in
7	Connector	Molex	33472-0607	1
8	Contact	Molex	33012-3002	6
9	Connector	Molex	33482-3602	1
10	Contact	Molex	33000-1002	6
11	Connector	TE Connectivity - Deutsch	DT04-2P	1
12	Contact	TE Connectivity	1060-16-0122	2
13	Lock	TE Connectivity	W2P	1
14	Splice		Generic Splice	2
15	Heat Shrink		Adhesive-Lined Heat Shrink	2
16	Tape	Tesa	51036	
18	Corrugated Tubing		0.25" Nylon Split Wall	24 in

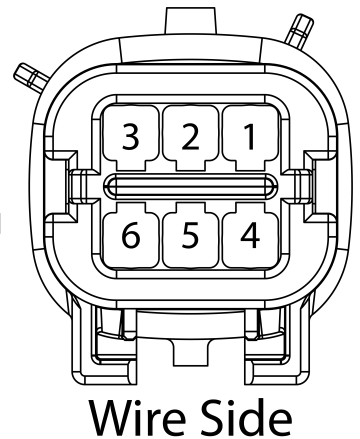
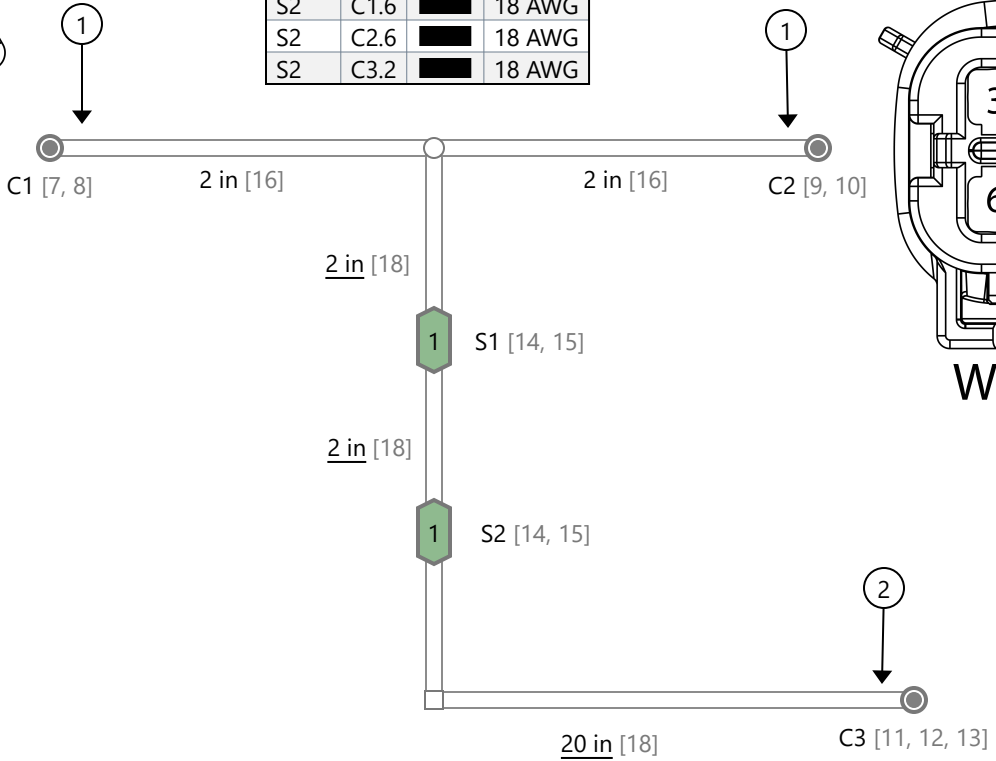
Coverings	
Id	Assembly
[16]	
[18]	

- Notes
- ① Cover wiring with cloth tape; leave 1/2" of exposed wiring behind connector
 - ② Lock tape split loom behind C3

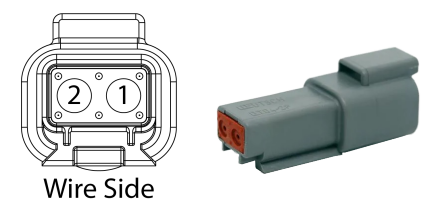
From	To	Color	Size
C1.1	C2.1	Gray	18 AWG
C1.2	C2.2	Blue	18 AWG
C1.3	S1	Red	18 AWG
C1.4	C2.4	White	18 AWG
C1.5	C2.5	Yellow	18 AWG
C1.6	S2	Black	18 AWG



From	To	Color	Size
S1	C1.3	Red	18 AWG
S1	C2.3	Red	18 AWG
S1	C3.1	Red	18 AWG
S2	C1.6	Black	18 AWG
S2	C2.6	Black	18 AWG
S2	C3.2	Black	18 AWG



From	To	Color	Size
C2.1	C1.1	Gray	18 AWG
C2.2	C1.2	Blue	18 AWG
C2.3	S1	Red	18 AWG
C2.4	C1.4	White	18 AWG
C2.5	C1.5	Yellow	18 AWG
C2.6	S2	Black	18 AWG



From	To	Color	Size
C3.1	S1	Red	18 AWG
C3.2	S2	Black	18 AWG

Revisions			
Rev.	Date	Author	Description
A	03/27/2025	Bennet Fisher	Initial Drawing

UNLESS OTHERWISE SPECIFIED DIMENSIONS ARE IN MILLIMETERS [INCHES] TOLERANCES: ±5MM PROPRIETARY AND CONFIDENTIAL THE INFORMATION CONTAINED IN THIS DRAWING IS THE SOLE PROPERTY OF AAMP GLOBAL. ANY REPRODUCTION IN PART OR AS A WHOLE WITHOUT THE WRITTEN PERMISSION OF AAMP GLOBAL IS PROHIBITED.	Name	Date
	Designed By	Bennet Fisher 03/27/2025
	Engineering Approval	
	Manufacturing Approval	
	Revision Approval	
Quality Assurance		



Part Number: P-BUA-MAVERICK-25_	Revision: A
Description: 2025 Ford Maverick Backup Alarm Harness	Sheet: 1

“Compare Installation Instructions that come with the Product to Installation Instructions in ASCO System for accuracy.”



69433



69434



Single Use Clips - replace these after removing the taillight



P-BUA-MAVERICK

Wiring Harness for Backup Alarm 2022 Ford Maverick

INSTALLATION MANUAL





Thank you for purchasing the
P-BUA-MAVERICK



Table of Contents

- Page 3** - Tools Required For Installation
- Page 4** - Components and Wire Locations

WHAT'S INCLUDED:

- Vehicle Specific Wire Harness (P-BUA-MAVERICK)

COMPATIBLE ACCESSORIES:

- 97dB Backup Alarm (BUA-97C)
- 97dB White Noise Backup Alarm (BUA-97WNC)

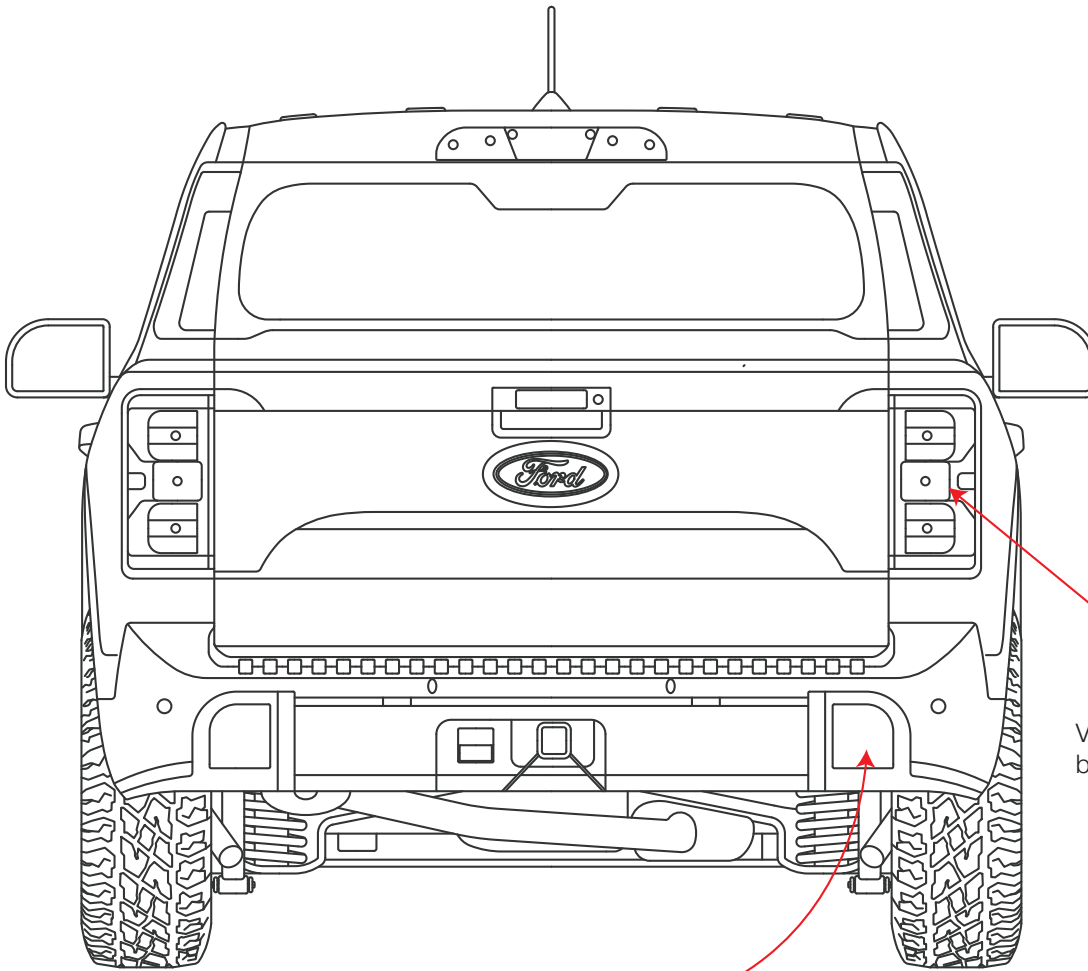


TOOLS REQUIRED:



1. 10mm Nut-setter
2. 8mm Nut-setter
3. Impact Drill
4. Diagonal Cutters





Vehicle harness connection
behind passenger side tail lamp

Backup Alarm Location
(Mounted on passenger side of spare tire/on frame rail)

STEP 1:

Use an impact drill and 8mm nut-setter to remove the passenger side tail lamp.



STEP 2:

Unplug the OEM connector and install the P-BUA-MAVERICK harness between the OEM connectors.



STEP 3:

Route the harness down the tail lamp cavity and re-install the passenger side tail lamp. The mating connector for the backup alarm will come through the underside of the cavity just behind the spare tire.



STEP 4:

Use an impact drill and 10mm nut-setter to install a compatible backup alarm on the underside of the vehicle

Note: (2) 10mm TEK screws are provided with the compatible backup alarm



STEP 5:

Plug the backup alarm connector into the mating connector on the P-BUA-MAVERICK harness. Secure any excess wiring with cable ties. Use diagonal cutters to remove excess cable tie material.

STEP 6:

Test the backup alarm





Phone – 866-931-8021 (option 3)

E-Mail – support@echomasterfleetsolutions.com



EchoMaster Fleet Solutions is a Power Brand of AAMP Global

echomasterfleetsolutions.com