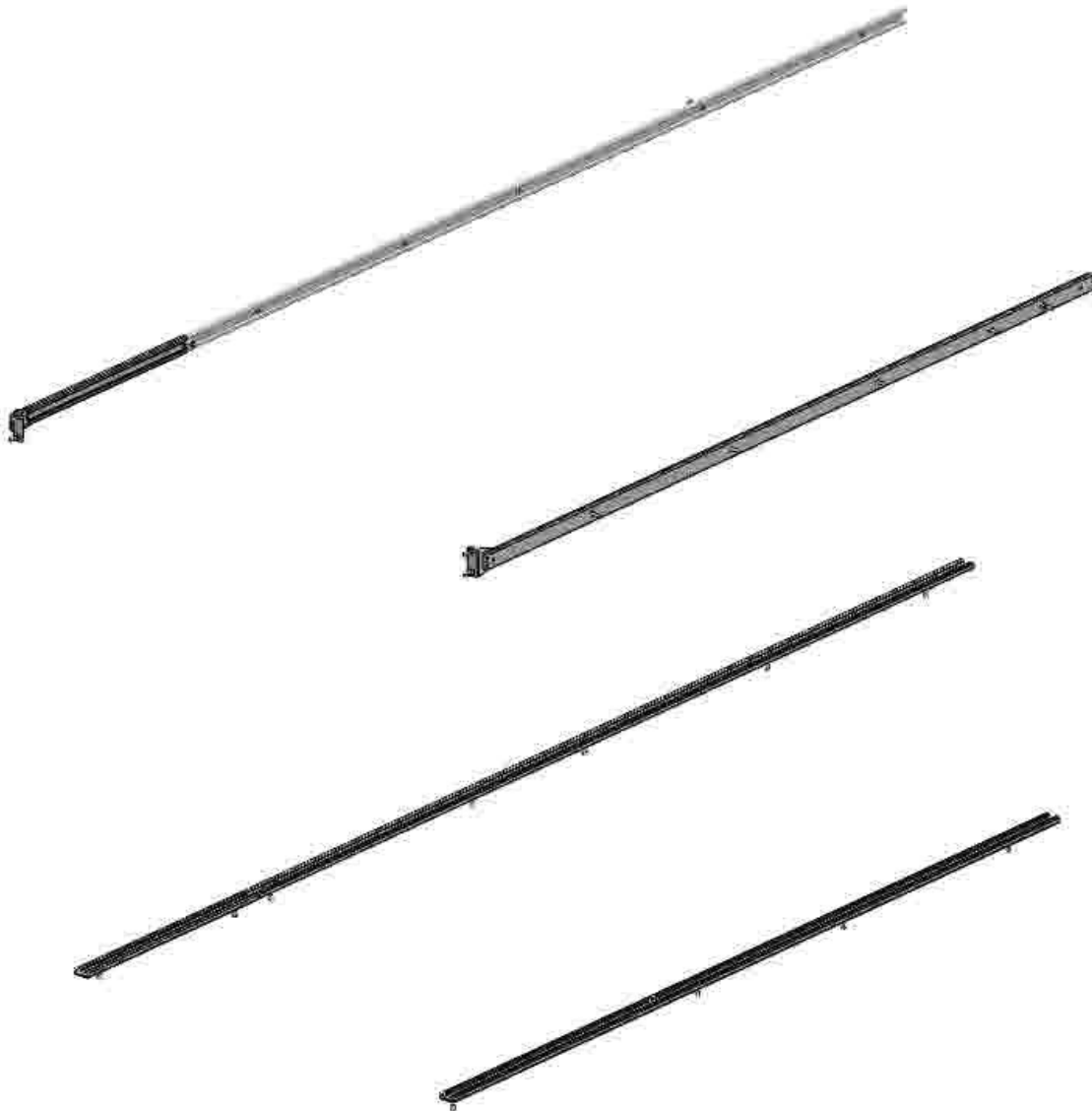


Introduction / Comments:

This rail kit is designed to fit in your 148 extended wheel base Ford Transit, high roof. This rail kit will work with the OEM liner kit, if you have this liner kit in your vehicle, the middle panels will need to be removed and saved for re-install.

Note:

It is advised that all fasteners used in this assembly and installation should be checked for tightness at the following intervals: @ 2-weeks and again @ 6-weeks of operation. This preventive maintenance step must be completed to ensure your Rail kit gives you long service life.



**RK148FTHE and 58586 (upper only)
RAIL KIT, 148 WB EXTENDED FORD
TRANSIT**

- PRECAUTIONS -



CAUTION CAUTION
THE USE OF AIR IMPACT TOOLS CAN OVER-TORQUE FASTENERS AND CAUSE FASTENER FAILURE!



CAUTION CAUTION
ALL INSTALLATION HOLES SHOULD BE SEALED WITH SILICON OR BUTYL SEALANT TO PREVENT EXHAUST FUMES FROM ENTERING THE VEHICLE!



DANGER DANGER
INSPECT FOR FUEL TANK, FUEL LINES, BRAKE LINES, HIGH VOLTAGE BATTERIES AND ELECTRICAL LINES PRIOR TO DRILLING TO AVOID DAMAGING CRITICAL VEHICLE SYSTEMS OR INJURY TO INSTALLER DURING INSTALLATION PROCESS!



CAUTION CAUTION
TO AVOID DAMAGING THE VEHICLE ALWAYS USE DRILL STOPS WHEN DRILLING ANY INSTALLATION HOLES! ADRIAN AVAILABLE PART #'S 31121-0 (1/2" DEEP), 31122-0 (3/4" DEEP)



- IMPORTANT WARRANTY REQUIREMENTS -

1. SUBSTITUTING ADRIAN STEEL SPECIFIED FASTENERS FOR ASSEMBLY AND/OR INSTALLATION WILL VOID YOUR PRODUCT WARRANTY.
2. ALL HOLES DRILLED INTO VEHICLE SHOULD HAVE THE RAW METAL EDGES SEALED WITH A SELF-ETCHING PRIMER TO RESIST CORROSION AND POTENTIAL FASTENER POINT FAILURE.
3. ALL FASTENERS USED IN THE INSTALLATION OF THIS PRODUCT SHOULD BE TIGHTENED TO THE TORQUE(S) SPECIFIED IN THESE INSTRUCTIONS.
4. THESE INSTRUCTIONS SHOULD BE KEPT WITH THE VEHICLE.

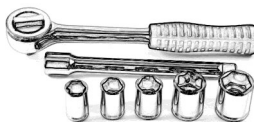
THE BASIC TOOLS NEEDED FOR MOST INSTALLATIONS



DRILL



DRILL BIT WITH STOP



RATCHET, SOCKETS AND/OR WRENCHES



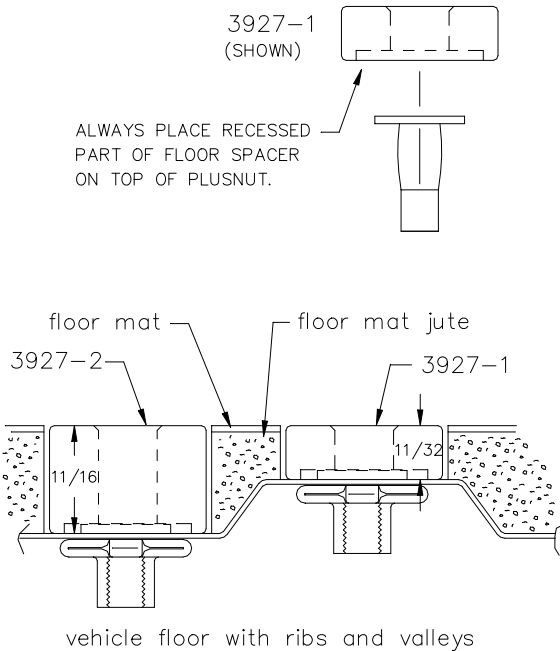
SCREWDRIVERS



MEASURING TAPE

ADDITIONAL TOOLS MAY BE NEEDED FOR THIS INSTALLATION AND THEY WILL BE IDENTIFIED IN THE STEPS THAT FOLLOW.

If your vehicle contains carpet or a rubber floor mat you will need to prepare the mounting location. Position the product to be installed into the vehicle and once you are satisfied with the mounting locations, mark the mounting locations. Using a 1-3/16" diameter carpet cutter (P/N: 31183-0). Select the appropriate floor spacers as shown in the illustration. Set those aside for use later into the installation process. Using the correct drill bit size for the selected plusnut, drill the mounting holes in the vehicle sheet metal to prepare for installing the plusnuts. If you are thru-bolting at any of the locations simply drill a hole that is 1/16" larger than the bolt size(s) for those locations. Once you have drilled the holes into the vehicle, the raw metal edges should be sealed using a self-etching primer to resist corrosion and potential fastener point failure.



A PLUSNUT (RIVNUT) SETTING TOOL IS REQUIRED FOR PLUSNUT (RIVNUT) INSTALLATION AND IS NOT SUPPLIED WITH THIS KIT. OR USE AN AIR POWERED PLUSNUT SETTING GUN.

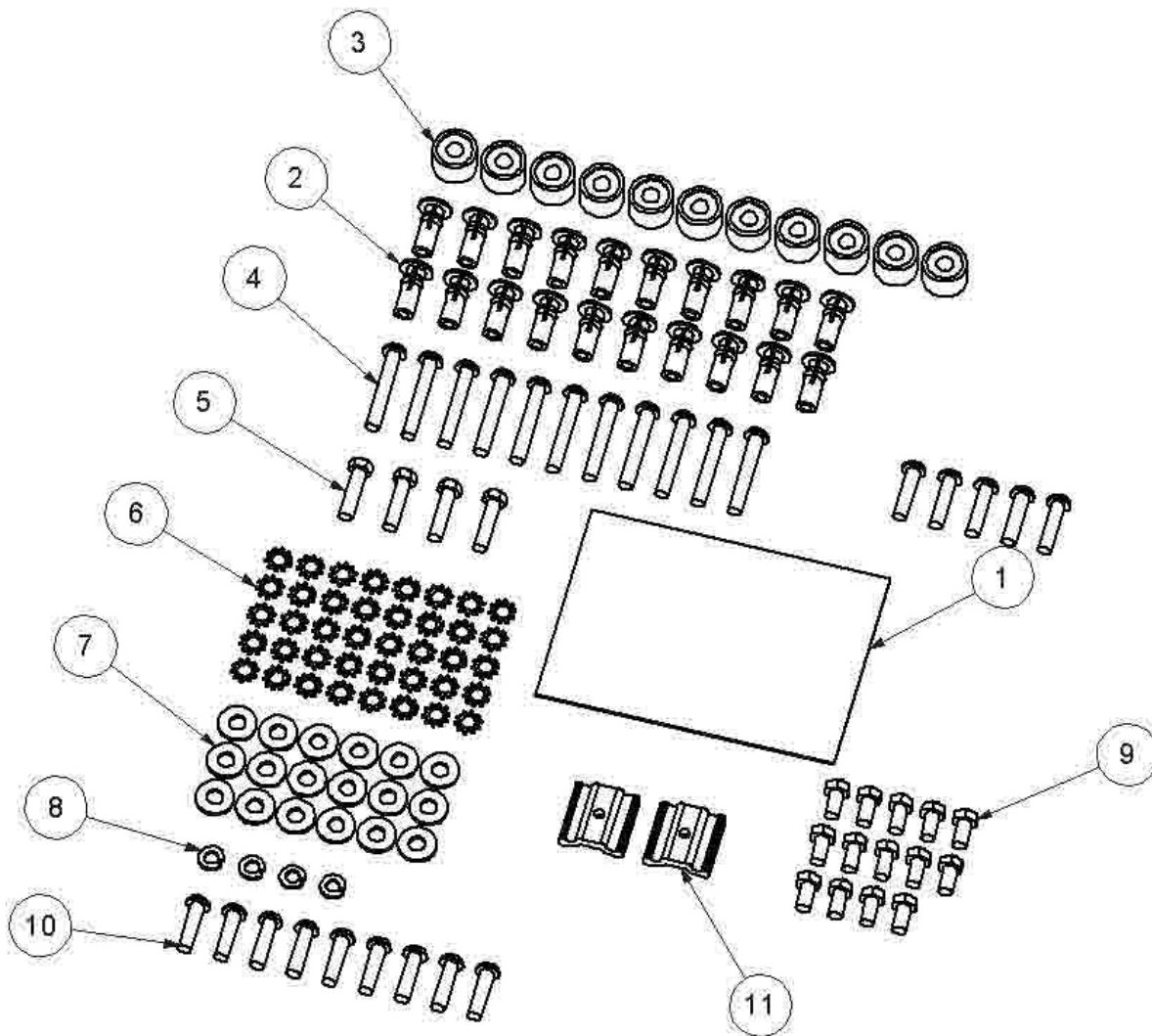
1/4-20UNC Plusnut (FAS0052) Use 3/8" dia. drill w/stop
 FAS0080 SCREW, HXHD, 1/4-20UNCx2.00", G8
 FAS0067 WASHER, FLAT, 1/4"ID
 22200-0 PLUSNUT TOOL

5/16-18UNC Plusnut (FAS0091) Use 1/2" dia. drill w/stop
 FAS0095 SCREW, HXHD, 5/16-18UNCx2.00", G8
 FAS0086 WASHER, FLAT, 5/16"ID
 22200-0 PLUSNUT TOOL

Place barrel of the plusnut body in sheet metal thru hole until flange is flush with sheet metal. Using a 9/16" combination wrench of plusnut tool body and a second hand wrench, ratchet, or air tool, rotate the hex bolt head CW to draw plus nut flanges up (set the plusnut).

Assembly and Installation Fastener Identification Sheet (BAG45325)

ITEM NO.	PART NUMBER	DESCRIPTION	QTY.
1	BAG0507-A	5" x 7" 3MIL AUTOBAG	1
2	FAS0091	Plusnut, 5/16	20
3	03927-2	Tall Floor Spacer	11
4	FAS0048	Screw, Button Hd Hex Soc, 5/16-18X 2, BLK OXIDE	11
5	FAS0093	Screw, Hex Hd, 5/16-18x1.25	4
6	FAS0085	Washer, Lock, Ext. Tooth, 5/16	40
7	FAS0086	WASHER,FLAT USS 5/16 ZP	18
8	FAS0098	Washer, Lock, Split, 5/16, Zinc Plate	4
9	FAS0165	Screw, Hex Hd, 5/16-18x.625	14
10	FAS0741	Screw, Button Hd Hex Soc, M8-1.25 X 30	9
11	35335-0	SLIDE	2
12	FAS0708	Screw, Button Hd Hex Soc, 5/16-18X1.25, BLK OXIDE	5

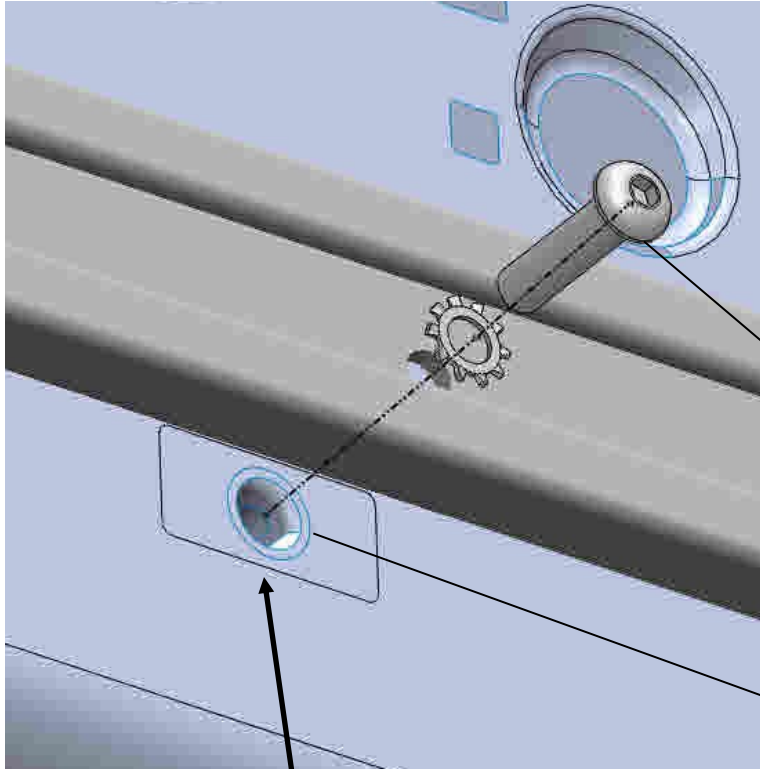


STEP 1A —VEHICLES WITH OEM LINER KITS—NEED TO REMOVE THE MIDDLE PANELS ON THE STREET AND CURB SIDE. SAVE THESE PANELS FOR RE-INSTALL LATER IF NEEDED.



GENERIC PICTURE OF VEHICLE AND LINER KIT SHOWING RAIL KIT INSTALLED FOR REFERENCE ONLY

STEP 1B STREET SIDE UPPER RAIL

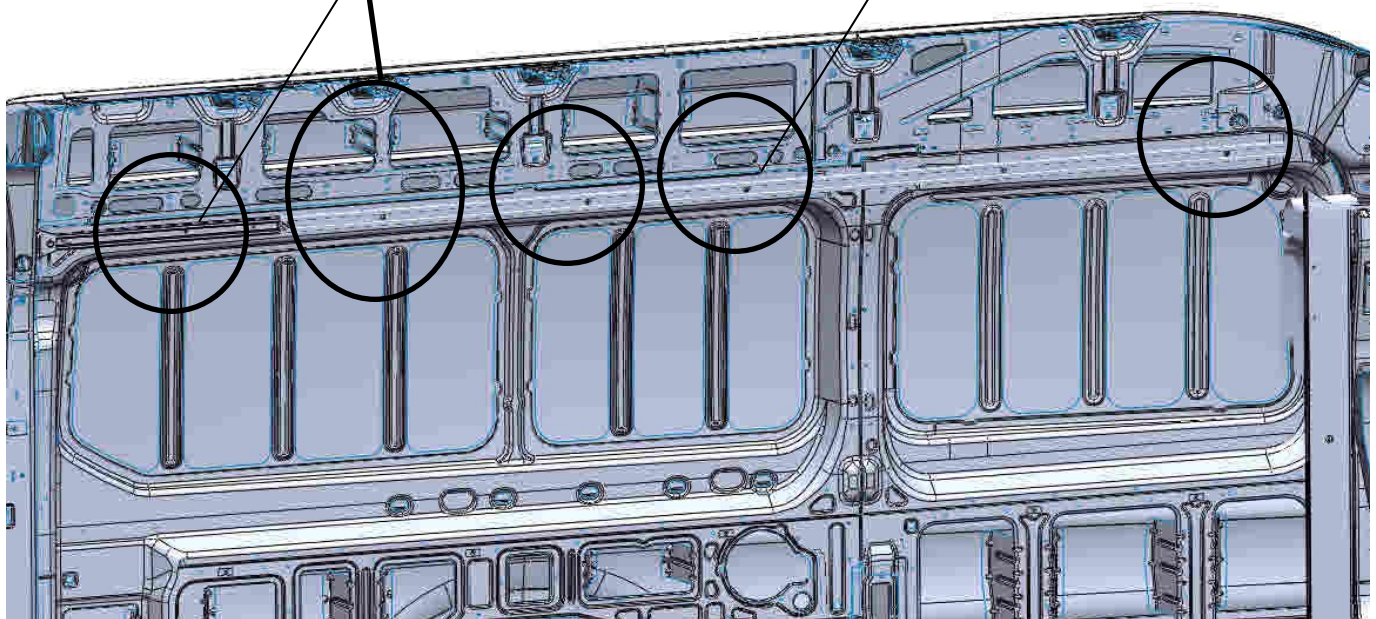


FAS0085 - 5/16 STAR WASHER (5)
FAS0741 - M8X1.25 X 30 LG (5)

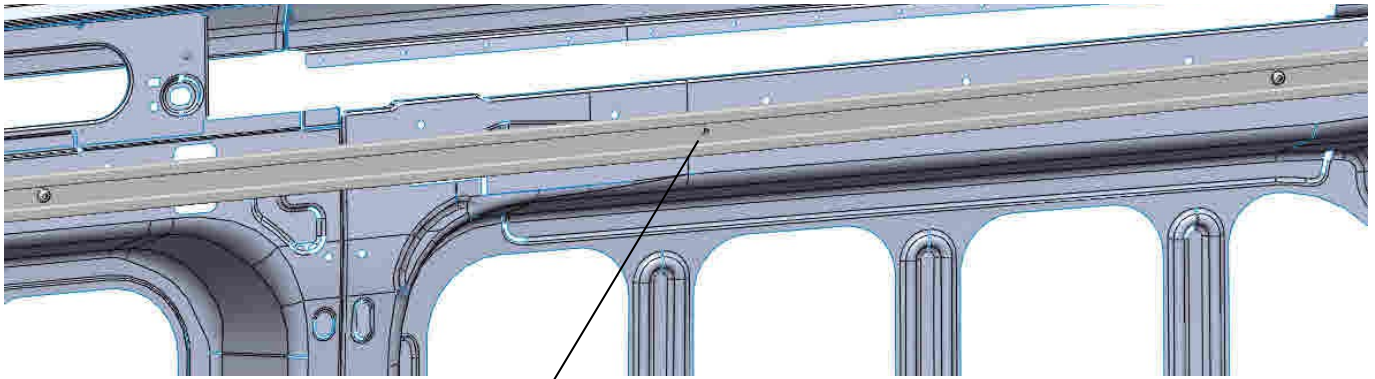
EXISTING M8X1.25 INSERT
(5) LOCATIONS USED
STREET SIDE UPPER

47092 - 28 1/2" LG RAIL

47081 - 119" LG RAIL



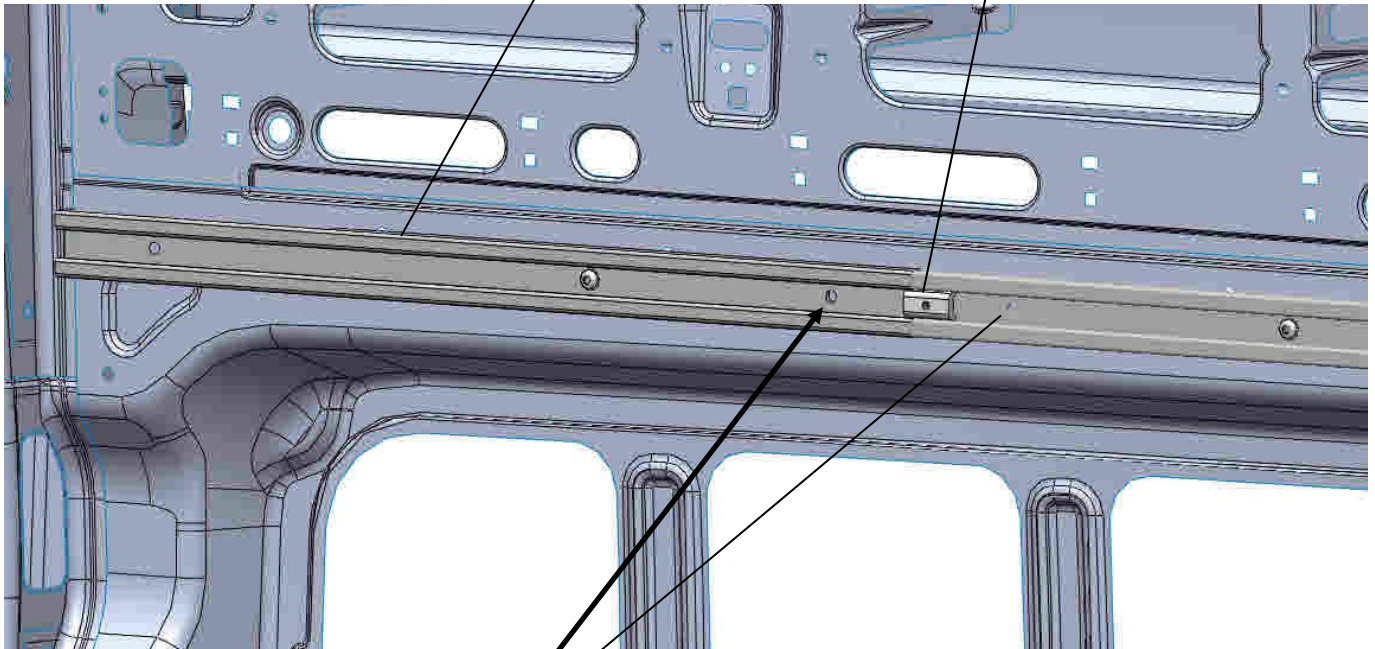
STEP 1C STREET SIDE UPPER RAIL -LOCATE AND TRANSFER HOLES- REMOVE RAIL



TRANSFER HOLE
OPEN HOLE UP TO 1/2" DIA
WITH DRILL STOP
ADD PLUSNUT
FAS0091—5/16 PLUSNUT

47092 - 28 1/2" LG RAIL

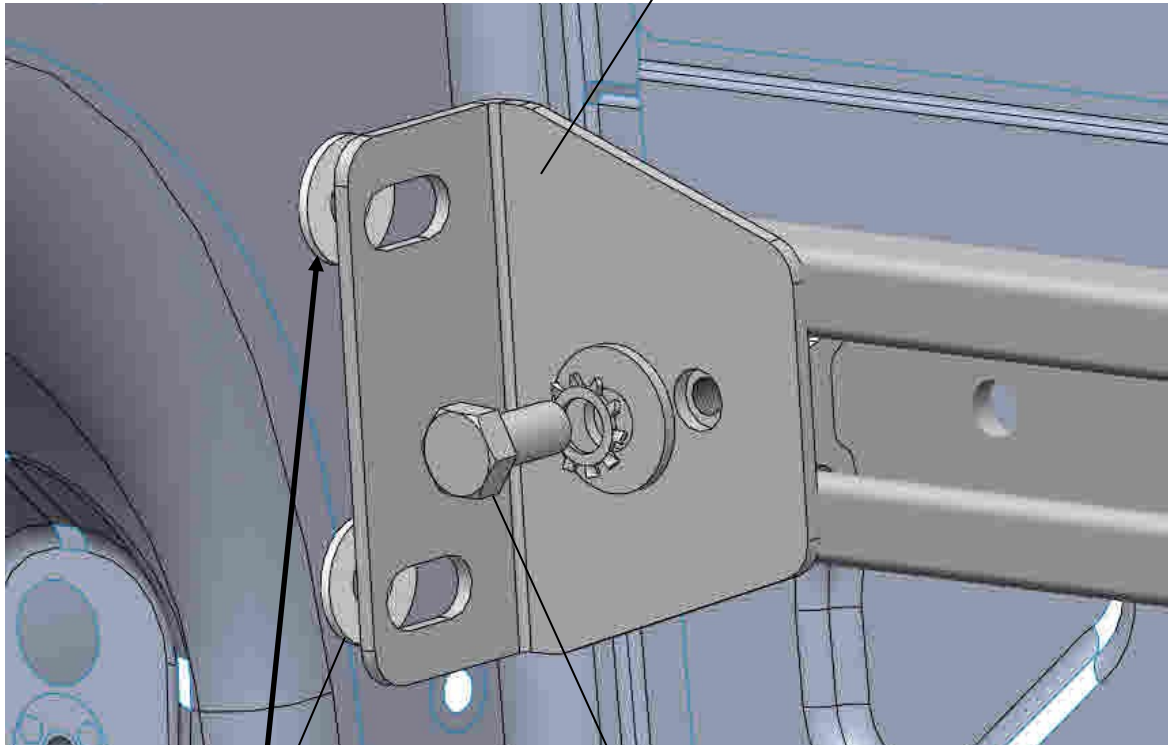
USE 35335-0 SLIDE
TO ALIGN THE RAILS.



TRANSFER HOLES
OPEN HOLE UP TO 1/2" DIA
WITH DRILL STOP
ADD PLUSNUTS
FAS0091—5/16 PLUSNUT (2)

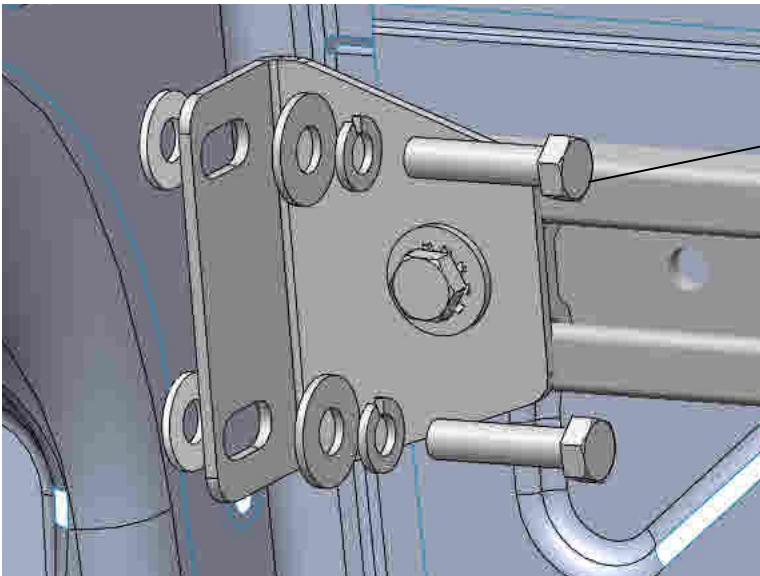
STEP 1D STREET SIDE UPPER RAIL -LOCATE AND TRANSFER HOLES- REMOVE RAIL

47078-G
D-PILLAR MTG PLATE



TRANSFER HOLES
OPEN HOLE UP TO 1/2" DIA
WITH DRILL STOP
ADD PLUSNUTS
FAS0091—5/16 PLUSNUT

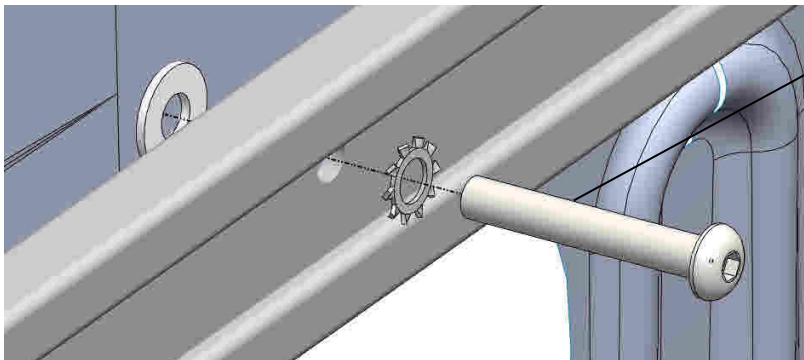
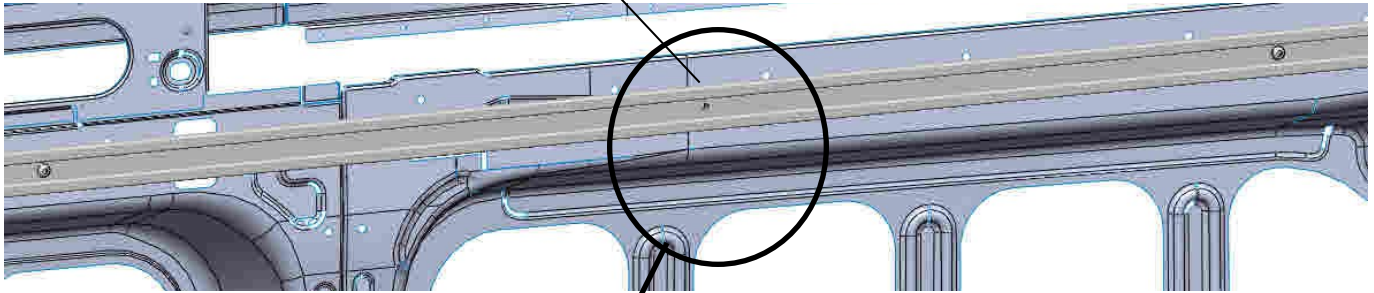
35335-0 SLIDE
FAS0165— HEX HEAD
FAS0085—STAR WASHER
FAS0086—FLAT WASHER



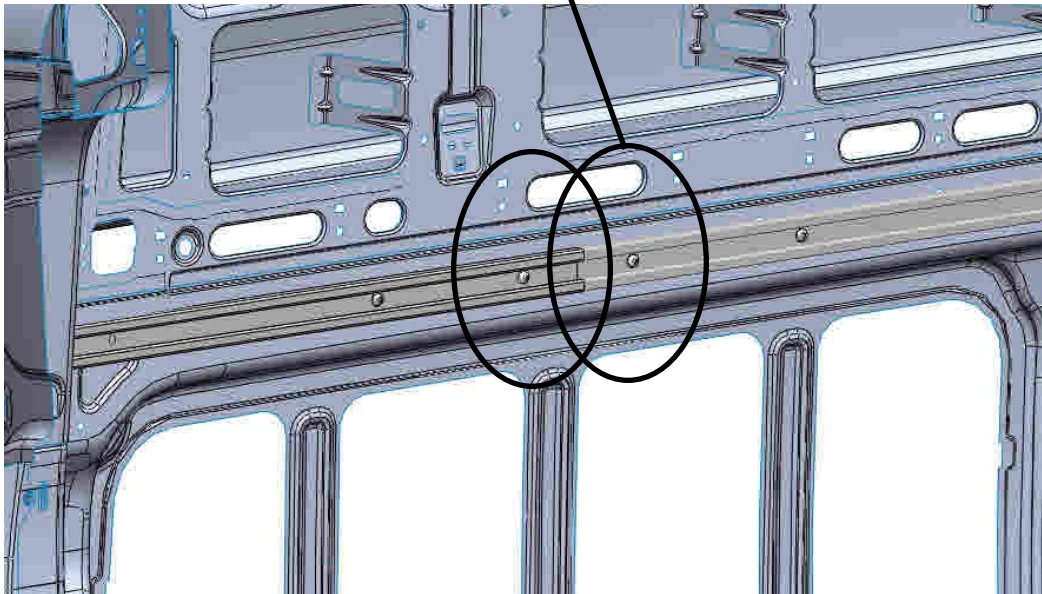
FAS0093— HEX HEAD (2)
FAS0098—LOCK WASHER (2)
FAS0086—FLAT WASHER (2)

STEP 1E - FINAL INSTALLATION OF STREET SIDE UPPER RAIL

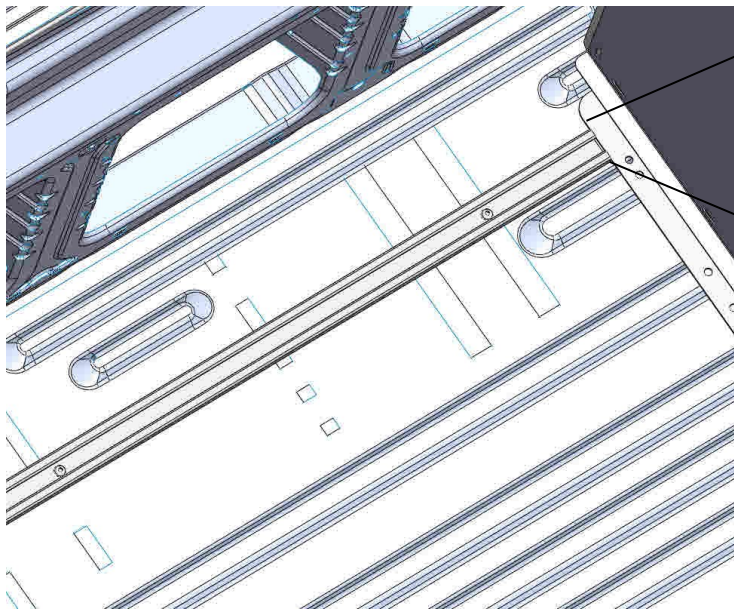
FROM PREVIOUS PAGE
AFTER SETTING PLUSNUT



FAS0085— STAR WASHER (3)
FAS0708—BUTTON HEAD (3)



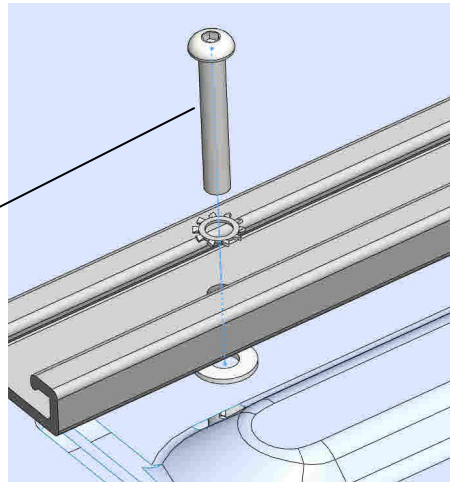
STEP 2 - ADD STREET SIDE FLOOR RAIL WITH ADRIAN PARTITION



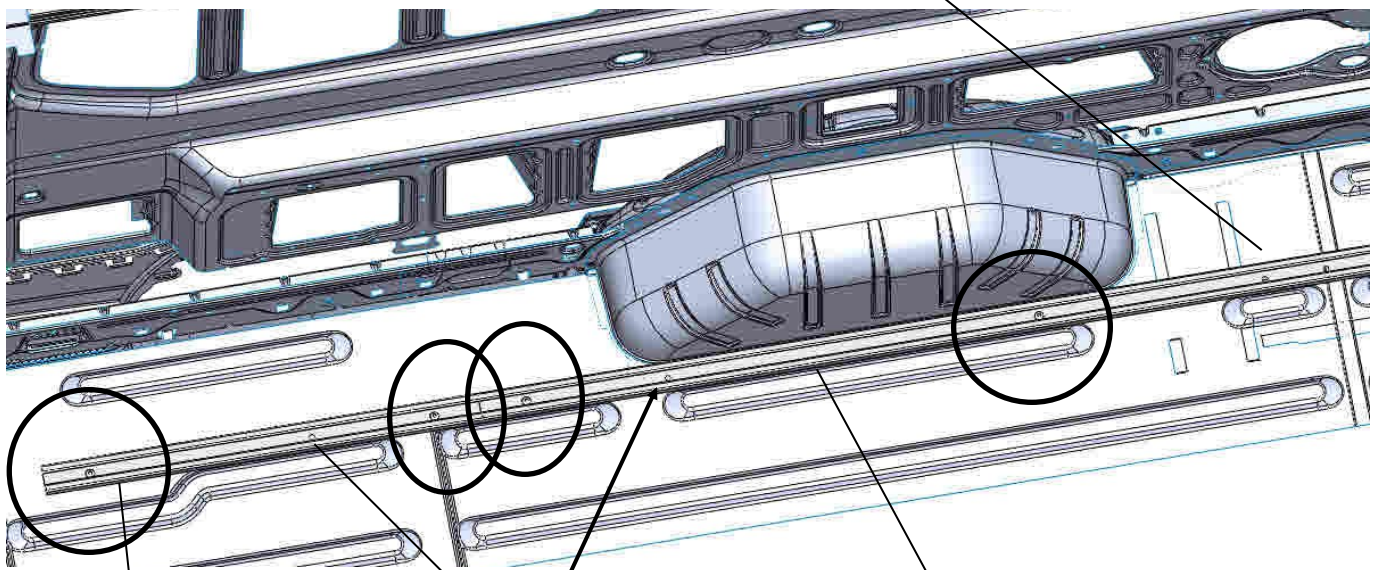
**INSTALLED
ADRIAN PARTITION
FOOTER RAIL.**

TOUCHING TO
APPROXIMATELY 1/8" AWAY
FROM FOOTER RAIL

- FAS0091—PLUSNUT (6)
- FAS0048—BUTTON HD (6)
- FAS0085—STAR WASHER (6)



SKIP THESE HOLES

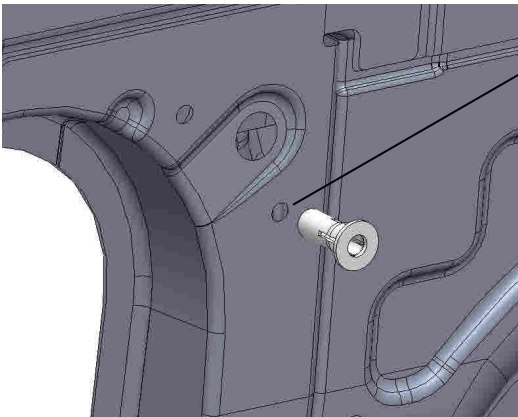


47092 - 28 1/2" LG RAIL

SKIP THIS HOLE

47081—RAIL X 119 LG
UP AGAINST INSIDE RIB

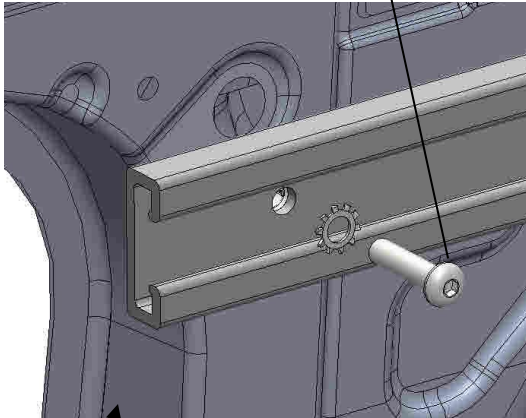
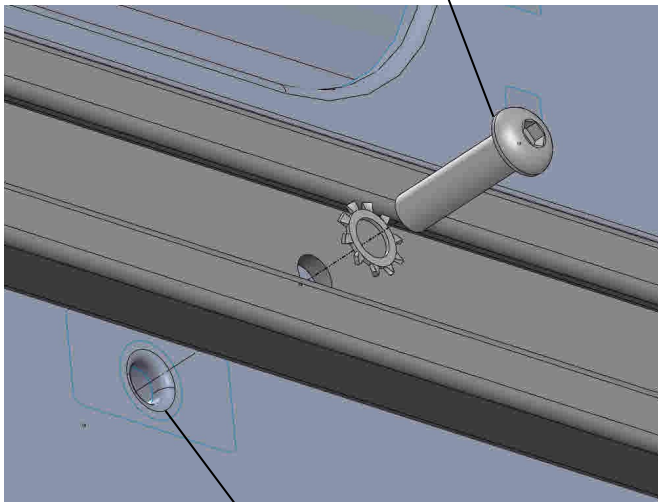
STEP 3 CURB SIDE UPPER RAIL



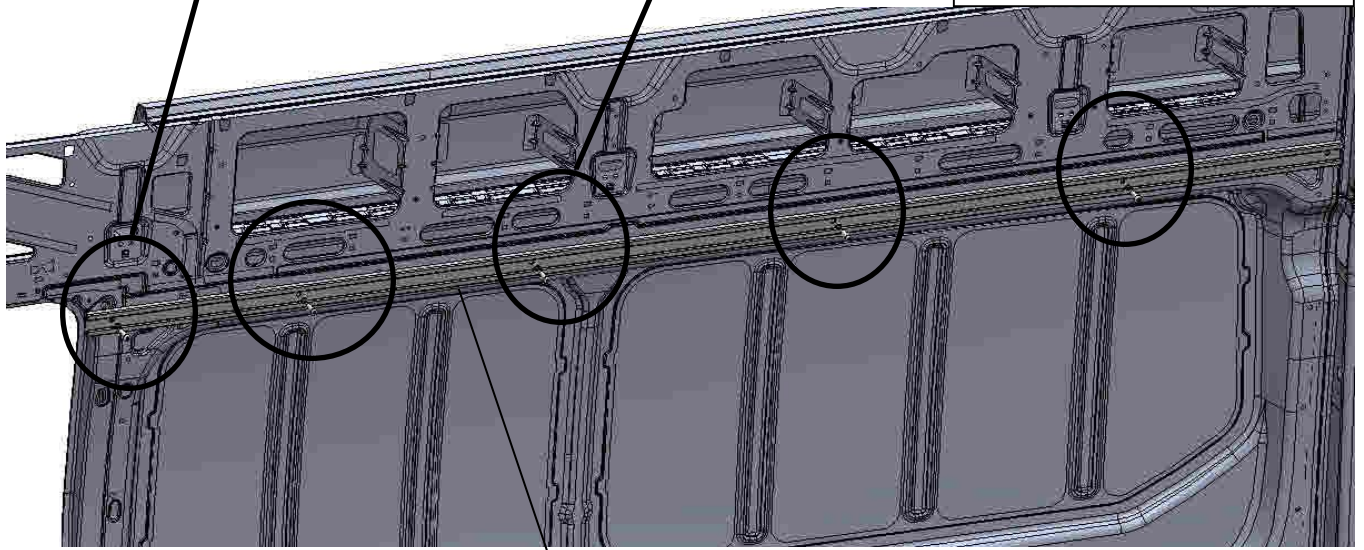
EXISTING HOLE
OPEN TO 1/2 DIA HOLE
USE DRILL WITH DRILL STOP
FAS0091—5/16 PLUS NUT (1)

FAS0085 - 5/16 STAR WASHER (4)
FAS0741 - M8X1.25 X 30 LG (4)

FAS0085 - 5/16 STAR WASHER (1)
FAS0708 - 5/16 X 1.25 LG (1)

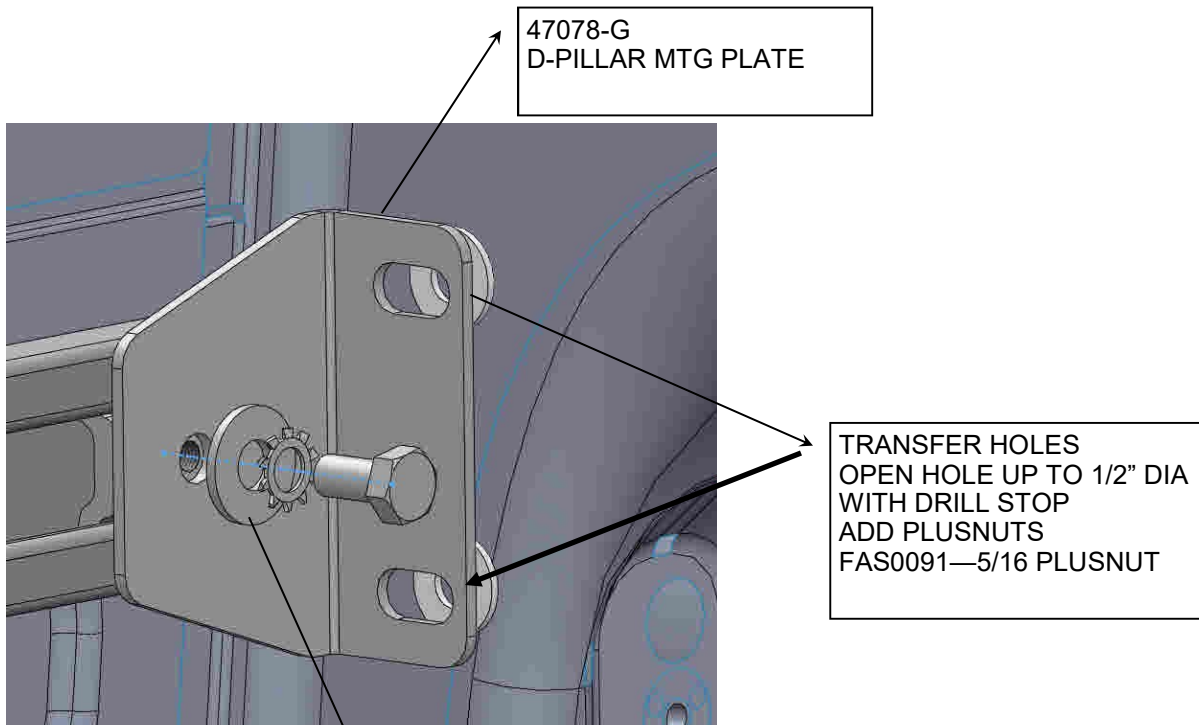


EXISTING M8X1.25 INSERT
(4) LOCATIONS USED
CURB SIDE UPPER



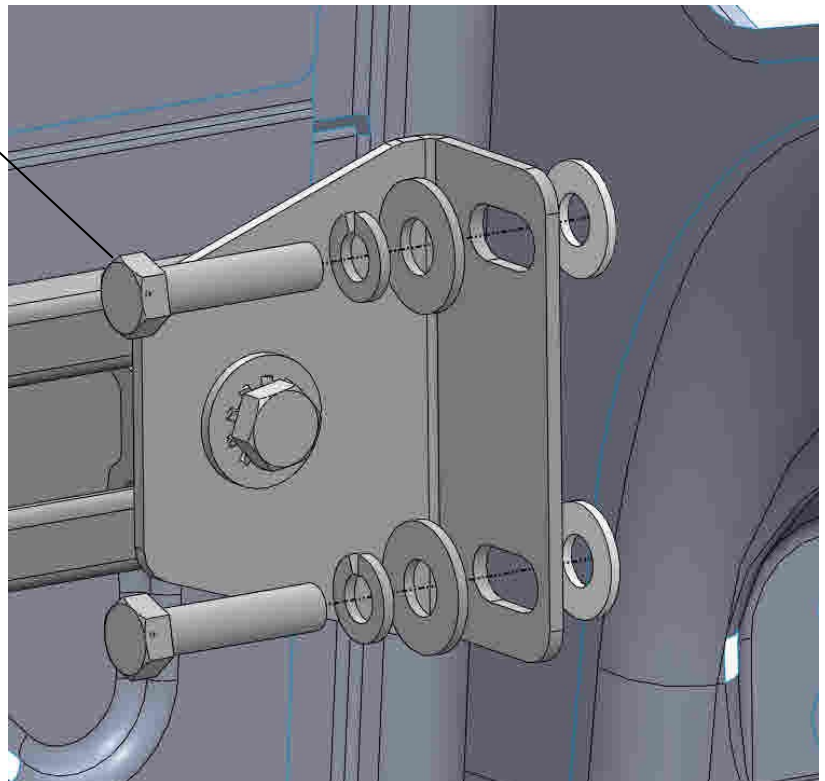
47093—RAIL X 100.93 LG

STEP 3B - LOCATE AND TRANSFER HOLES



35335-0 SLIDE
FAS0165— HEX HEAD
FAS0085—STAR WASHER
FAS0086—FLAT WASHER

FAS0093— HEX HEAD (2)
FAS0098—LOCK WASHER (2)
FAS0086—FLAT WASHER (2)



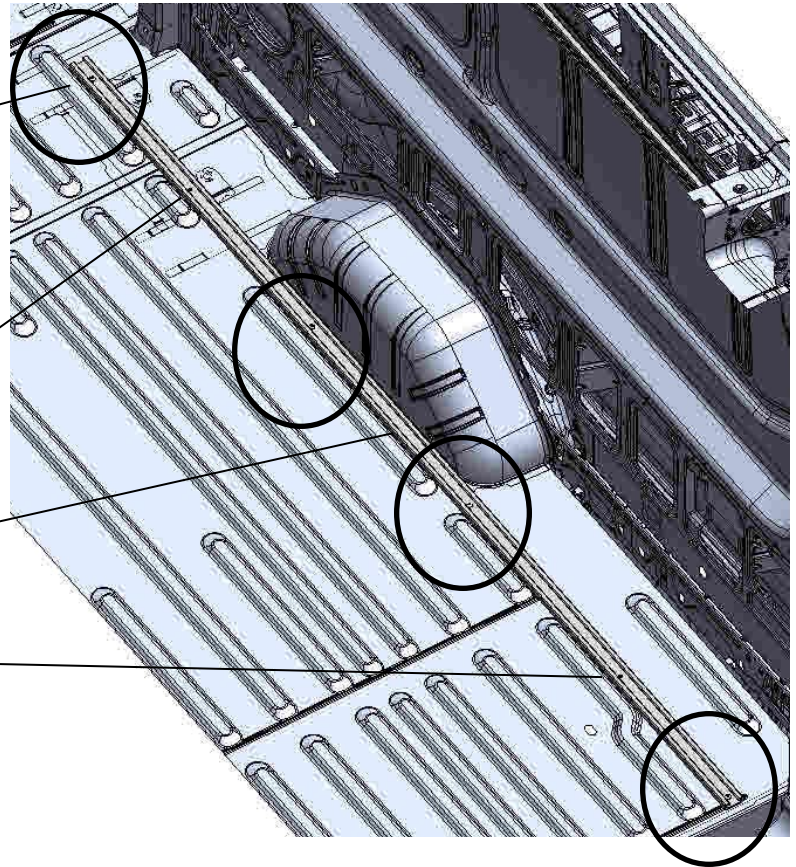
STEP 4 - ADD CURB SIDE FLOOR RAIL

TRANSFER HOLE LOCATIONS
(4) PLACES
REMOVE RAIL
DRILL AND SET PLUSNUTS
FAS0091—5/16 PLUSNUT

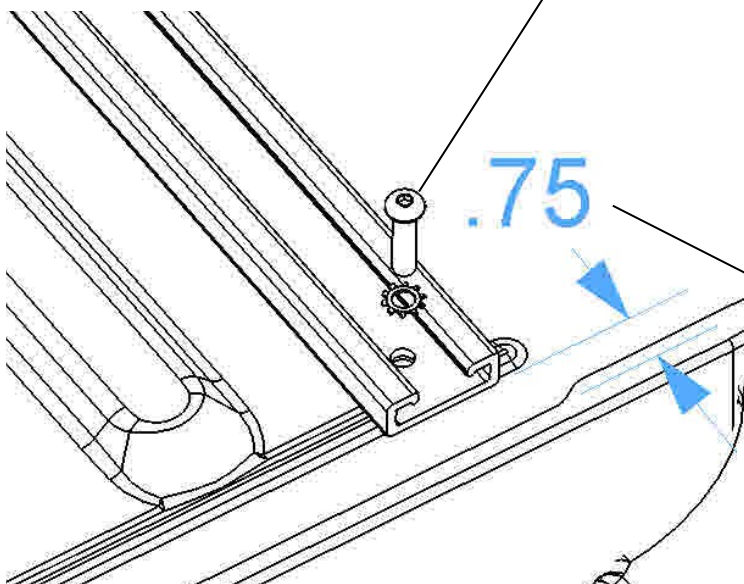
DO NOT USE THIS HOLE

47093—RAIL X 100.93 LG
UP AGAINST INSIDE RIB

DO NOT USE THIS HOLE

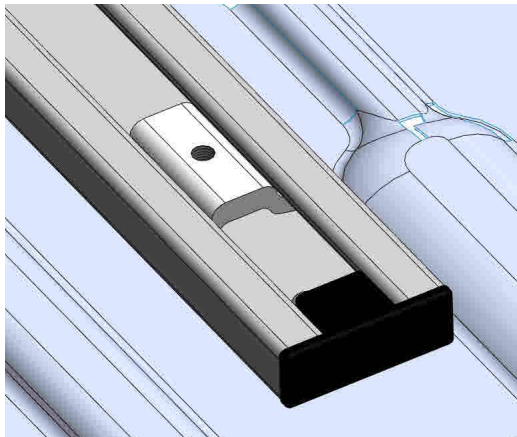
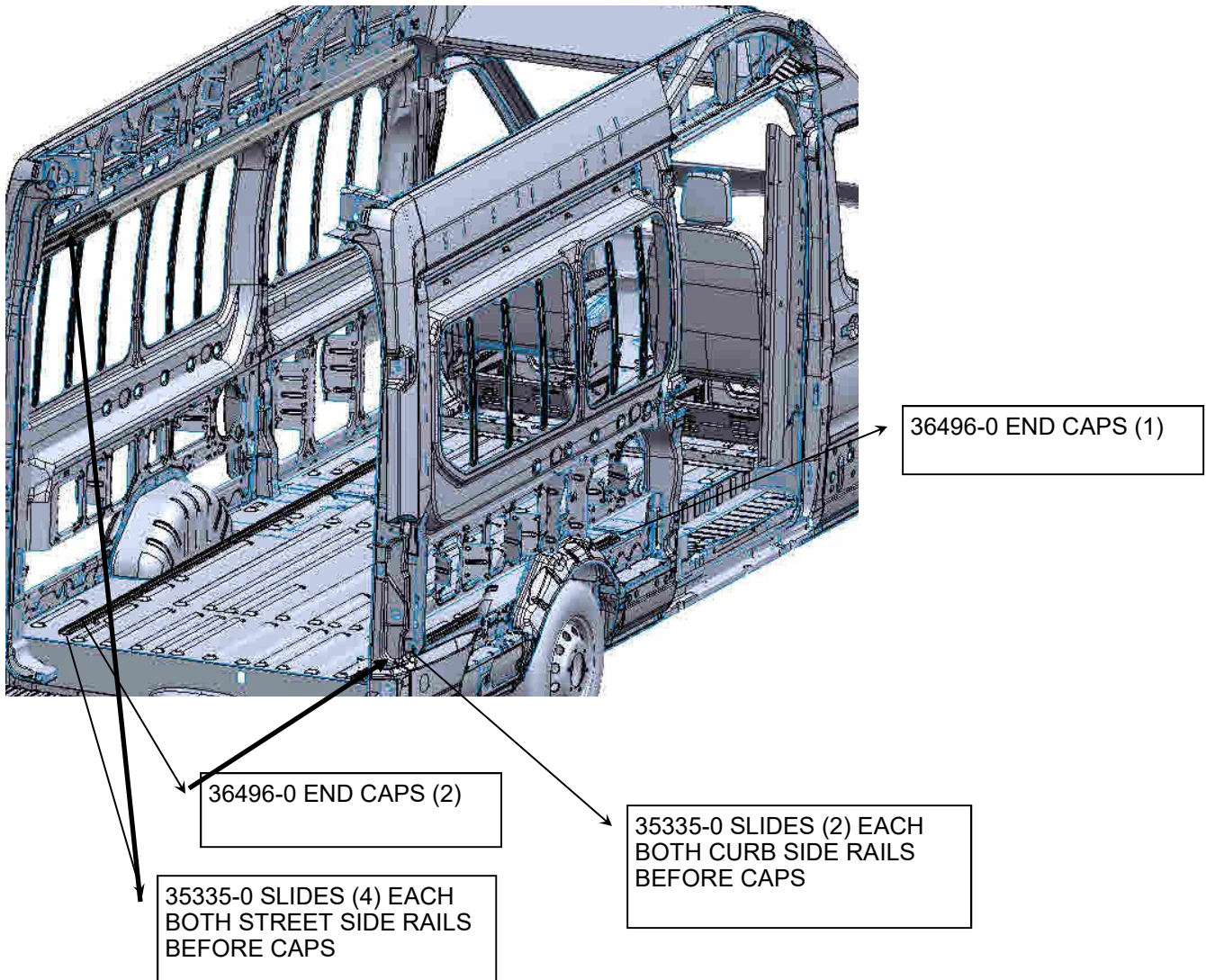


FAS0091—PLUSNUT (4)
FAS0048— BUTTON HD (4)
FAS0085—STAR WASHER (4)

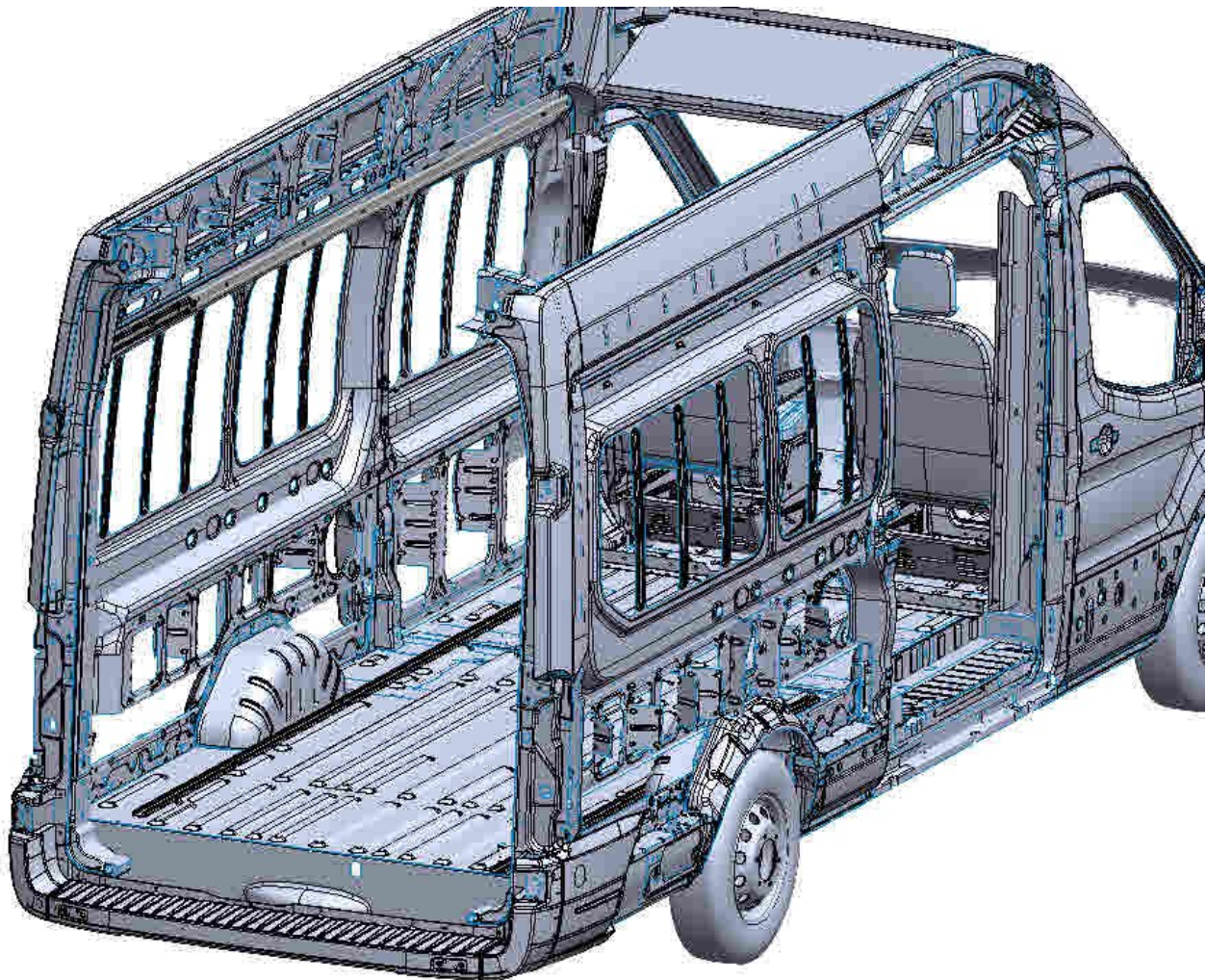


APPROX 3/4" FROM SEAM
LINE UP WITH TOP RAIL

STEP 5 - ADD SLIDES AND END CAPS TO RAILS



**YOUR INSTALLATION IS NOW COMPLETE
SEE ADDITIONAL PAGES TO RE-INSTALL THE OEM LINER**



**DOUBLE CHECK ALL FASTENERS LOCATIONS TO BE SURE THAT ALL
FASTENERS ARE TIGHTENED TO SPECIFICATIONS.
YOUR INSTALLATION IS NOW COMPLETE!
STOW THIS COPY IN THE VEHICLE FOR FUTURE REFERENCES!**

STEP 6 - Re-Install OEM Middle Liner Pieces from Step 1A

Remove Upper Rail Kit, Hold up the OEM Liner and add clearance holes over the Plusnuts and OEM Fastening locations from previous steps. Re-Install OEM Liner Pieces completely.



STEP 7 - Re-Install Rail Kit over top of the OEM Liner.