

ITEM NO.	PART NUMBER	DESCRIPTION	QTY.
1	MB118	MOUNT ANGLE 1-1/2" / GALV	2
2	25131-0	BRKT, STRAP 6 SLOT	1

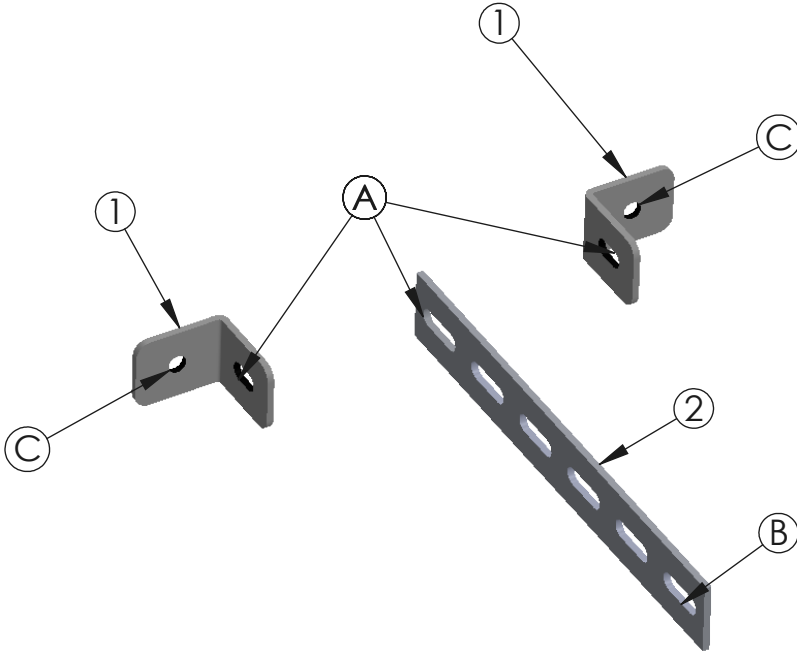
ASSEMBLY FASTENERS

QTY.

(A)	FAS0063	1
(A) (B)	FAS0055	2
(B)	FAS0061	1
(C)	FAS0052	2
(C)	FAS0060	2
(C)	FAS0067	2
(C)	FAS0078	2
(C)	FAS0079	1

REVISION LEVEL: **A**

Part Number: **54174**



printed document is uncontrolled

THIS WORK INSTRUCTION SHEET IS FOR PROCESS OPERATION REFERENCE ONLY! FOR COMPLETE DIMENSIONAL AND PROCESS REQUIREMENTS REFER TO THE PRODUCT PRINT(S) FOR THIS PART/ASSEMBLY.

THIS WORK INSTRUCTION SHEET IS NOT TO BE DISTRIBUTED TO PARTIES OUTSIDE OF THE ADRIAN STEEL ORGANIZATION OR PUBLISHED IN OR ON ELECTRONIC FORUMS THAT MAY BE ACCESSED BY THE GENERAL PUBLIC.

WORK INSTRUCTIONS

DO NOT SCALE THIS DRAWING!



906 James St.
Adrian, MI 49221
517.265.6194

Part Description: **BRACKET STRAP KIT 6-SLOTS**

Part Number: **54174**

REVISION LEVEL:

A