*PRODUCT WEIGHT***27.4 lbs.***WIDTH x DEPTH x HEIGHT***18 x 12 x 12***CAPACITY***25 LBS. PER DRAWER***COLOR***GRAY***CATALOG NUMBER***19***PRODUCT FEATURES*

The drawer unit body is a sturdy welded and painted steel housing. The housing has ¼-20 riv-nuts installed into the base of the unit for easy installation. Also included are pre-drilled mounting holes in the top of the cabinet to allow for quick and easy stacking of the units. The number 19 drawer unit includes two (2) polymer drawers that ride on full extension ball bearing glides. The drawers have an inside dimension of 13.50" wide X 4.5" deep X 11.50" length. Each cabinet includes a sliding latch/lock system designed to secure the drawers during vehicle movement. A cam lock allows for securing your inventory for more security.

*PRODUCT APPLICATION*

This product is designed to be used in and/or on ADRIAN STEEL shelving units and can also be used as a standalone product. The product is great for small parts and supplies storage.

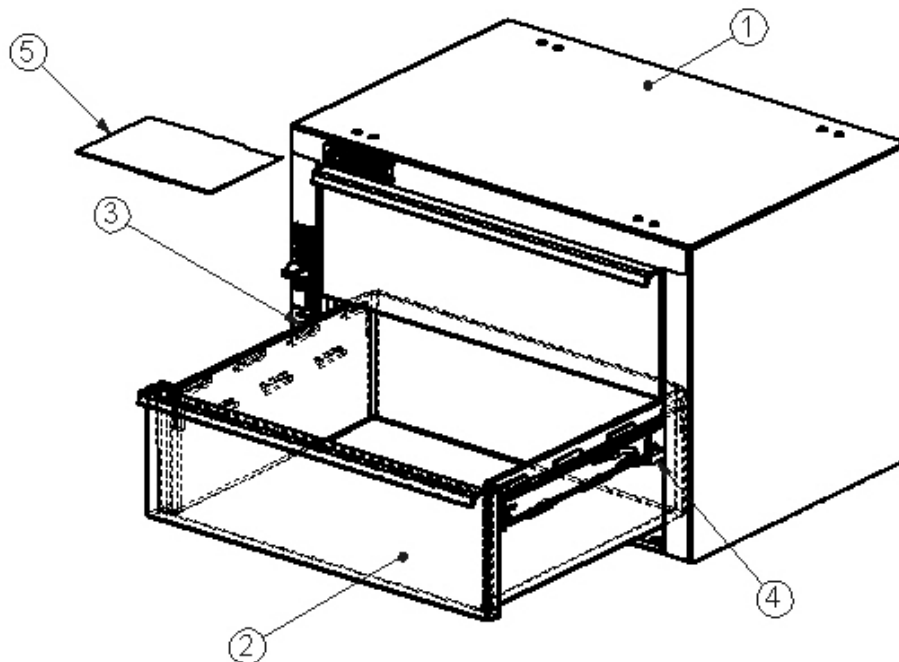
**Introduction / Comments:**

The drawer unit body is a sturdy welded and painted steel housing. The housing has 1/4-20 riv-nuts installed into the base of the unit for easy installation. Also pre drilled mounting holes in the top of the cabinet to allow for quick and easy stacking of units. 2 polymer drawers ride on ball bearing glides. Each cabinet includes a sliding latch/lock system designed to secure the drawers during vehicle movement. A cam lock allows for securing your inventory for more security

**Note:**

It is advised that all fasteners used in this assembly and installation should be checked for tightness at the following intervals: @ 2-weeks and again @ 6-weeks of operation. This preventive maintenance step must be completed to ensure your Product gives you long service life.

ITEM NO.	PART NUMBER	DESCRIPTION	19S/QTY.
1	39197-G	WRAPPER BODY ASSM	1
2	40016	DRAWER SUB ASSY. 19/919	2
3	40827-LH	250MM SLIDE, CABINET HALF, LH	2
4	40287-RH	250MM SLIDE, CABINET HALF, RH	2
5	BAG00001-0	FASTENER BAG 9,19,919	1



19  
2 DRAWER MEDIUM

## - PRECAUTIONS -



**CAUTION**  
THE USE OF AIR IMPACT TOOLS CAN  
OVER-TORQUE FASTENERS AND  
CAUSE FASTENER FAILURE!



**CAUTION**  
ALL INSTALLATION HOLES SHOULD BE SEALED  
WITH SILICON OR BUTYL SEALANT TO PREVENT  
EXHAUST FUMES FROM ENTERING THE VEHICLE!



**DANGER**  
INSPECT FOR FUEL TANK, FUEL LINES, BRAKE LINES, HIGH  
VOLTAGE BATTERIES AND ELECTRICAL LINES PRIOR TO  
DRILLING TO AVOID DAMAGING CRITICAL VEHICLE SYSTEMS  
OR INJURY TO INSTALLER DURING INSTALLATION PROCESS!



**CAUTION**  
TO AVOID DAMAGING THE VEHICLE ALWAYS USE DRILL  
STOPS WHEN DRILLING ANY INSTALLATION HOLES!  
ADRIAN AVAILABLE PART #'S 31119-0 (3/8" X 1/2"  
DEEP), 31121-0 (1/2" x 1/2" DEEP)



## - IMPORTANT WARRANTY REQUIREMENTS -

1. SUBSTITUTING ADRIAN STEEL SPECIFIED FASTENERS FOR ASSEMBLY AND/OR INSTALLATION WILL VOID YOUR PRODUCT WARRANTY.
2. ALL HOLES DRILLED INTO VEHICLE SHOULD HAVE THE RAW METAL EDGES SEALED WITH A SELF-ETCHING PRIMER TO RESIST CORROSION AND POTENTIAL FASTENER POINT FAILURE.
3. ALL FASTENERS USED IN THE INSTALLATION OF THIS PRODUCT SHOULD BE TIGHTENED TO THE TORQUE(S) SPECIFIED IN THESE INSTRUCTIONS.
4. THESE INSTRUCTIONS SHOULD BE KEPT WITH THE VEHICLE.

### THE BASIC TOOLS NEEDED FOR MOST INSTALLATIONS



DRILL



DRILL BIT WITH  
STOP



RATCHET, SOCKETS  
AND/OR WRENCHES



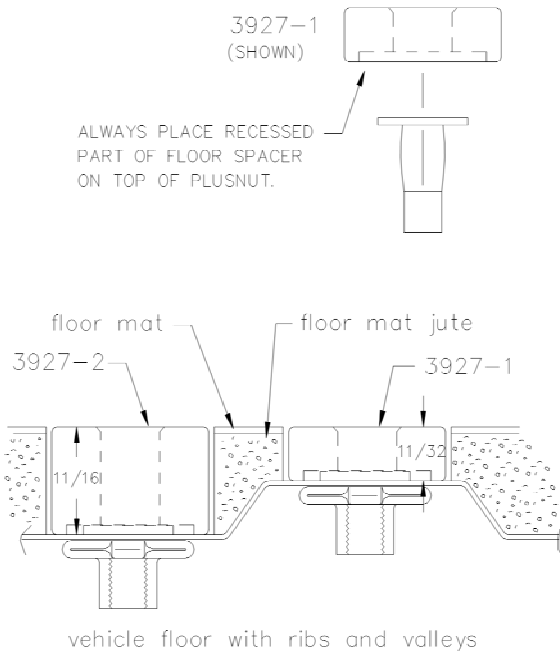
SCREWDRIVERS



MEASURING TAPE

ADDITIONAL TOOLS MAY BE NEEDED FOR THIS INSTALLATION AND THEY WILL BE IDENTIFIED IN THE STEPS THAT FOLLOW.

If your vehicle contains carpet or a rubber floor mat you will need to prepare the mounting location. Position the product to be installed into the vehicle and once you are satisfied with the mounting locations, mark the mounting locations. Using a 1-3/16" diameter carpet cutter (P/N: 31183-0). Select the appropriate floor spacers as shown in the illustration. Set those aside for use later into the installation process. Using the correct drill bit size for the selected plusnut, drill the mounting holes in the vehicle sheet metal to prepare for installing the plusnuts. If you are thru-bolting at any of the locations simply drill a hole that is 1/16" larger than the bolt size(s) for those locations. Once you have drilled the holes into the vehicle, the raw metal edges should be sealed using a self-etching primer to resist corrosion and potential fastener point failure.

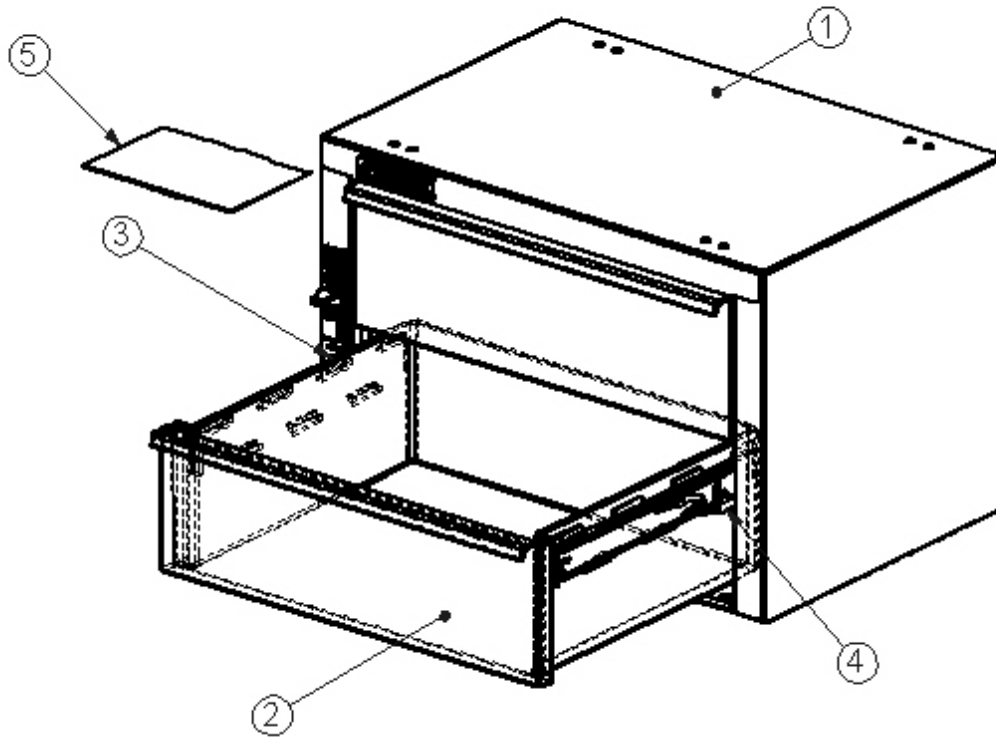


A PLUSNUT (RIVNUT) SETTING TOOL IS REQUIRED FOR PLUSNUT (RIVNUT) INSTALLATION . PLUS NUT SETTING TOOL CAN BE ORDERED THROUGH ADRIAN STEEL, OR USE AN AIR POWERED PLUSNUT SETTING GUN.

1/4-20UNC Plusnut (FAS0052) Use 3/8" dia. drill w/stop  
 FAS0080 SCREW, HXHD, 1/4-20UNCx2.00", G8  
 FAS0067 WASHER, FLAT, 1/4"ID  
 22200-0 PLUSNUT TOOL

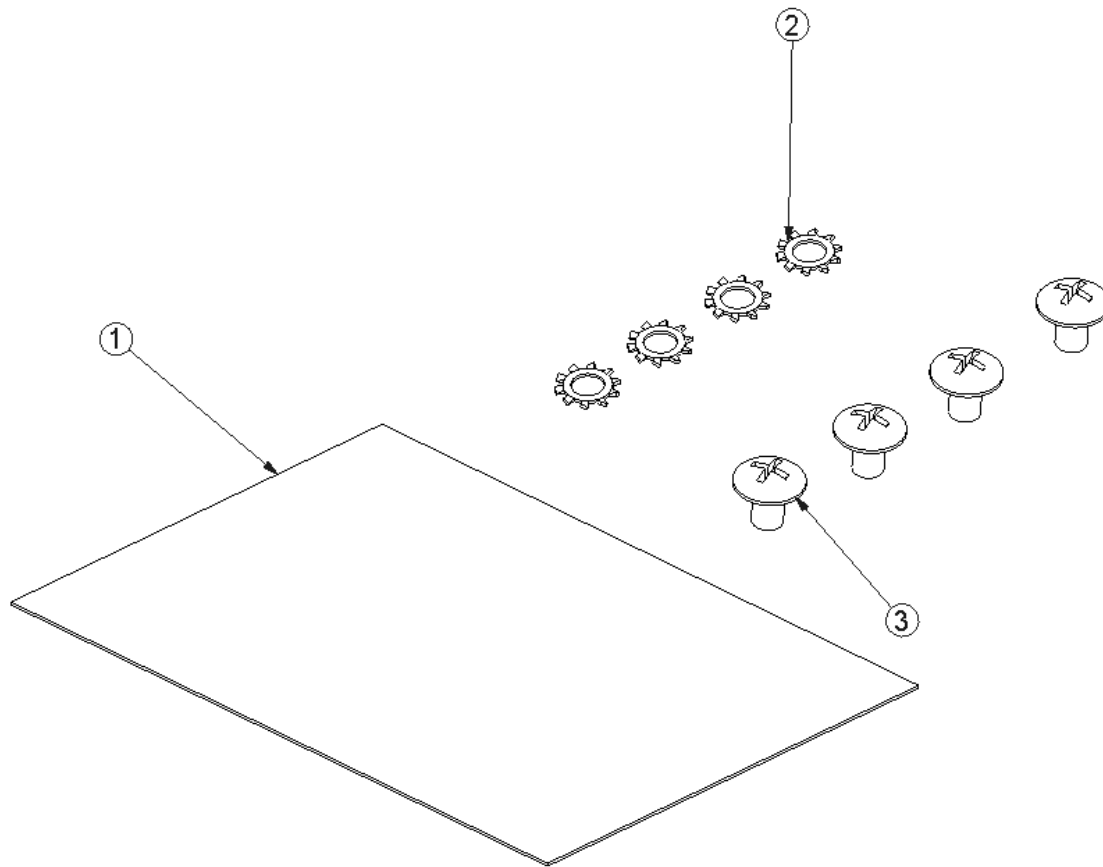
5/16-18UNC Plusnut (FAS0091) Use 1/2" dia. drill w/stop  
 FAS0095 SCREW, HXHD, 5/16-18UNCx2.00", G8  
 FAS0086 WASHER, FLAT, 5/16"ID  
 22200-0 PLUSNUT TOOL

Place barrel of the plusnut body in sheet metal thru hole until flange is flush with sheet metal.  
 Using a 9/16" combination wrench of plusnut tool body and a second hand wrench, ratchet, or air tool, rotate the hex bolt head CW to draw plus nut flanges up (set the plusnut).

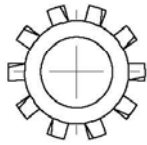


INSERT TWO (2) 40287-LH AND TWO (2) 40287-RH SLIDES INTO CABINET BODY.  
INSERT TWO (2) 40016 DRAWERS INTO CABINET BODY.  
PLACE BAG00001-0 INTO THE SECOND DRAWER. TAPE  
THE LOCK KEYS INTO THE FRONT RIGHT BOTTOM OF THE SECOND  
DRAWER AND CLOSE THE DRAWERS.

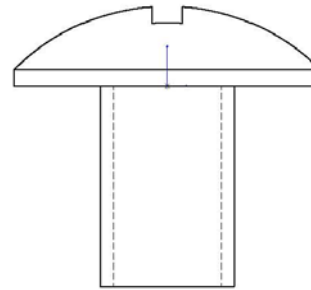
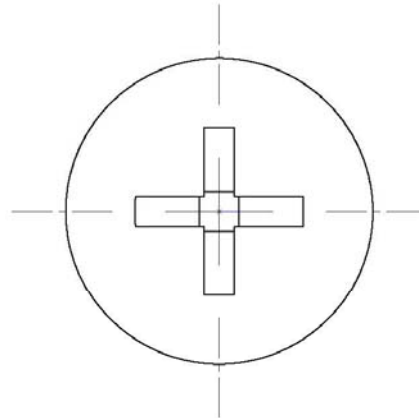
ITEM NO.	PART NUMBER	DESCRIPTION	BAG00001-0./QTY.
1	BAG0505-A	5" x 5" 3MIL AUTOBAG	1
2	FAS 0066	Washer, Lock, Ext. Tooth, 1/4	4
3	FAS0520	Screw, Truss Hd. Ph, 1/4-20x .375" lg	4



## Individual Fastener Images & Descriptions

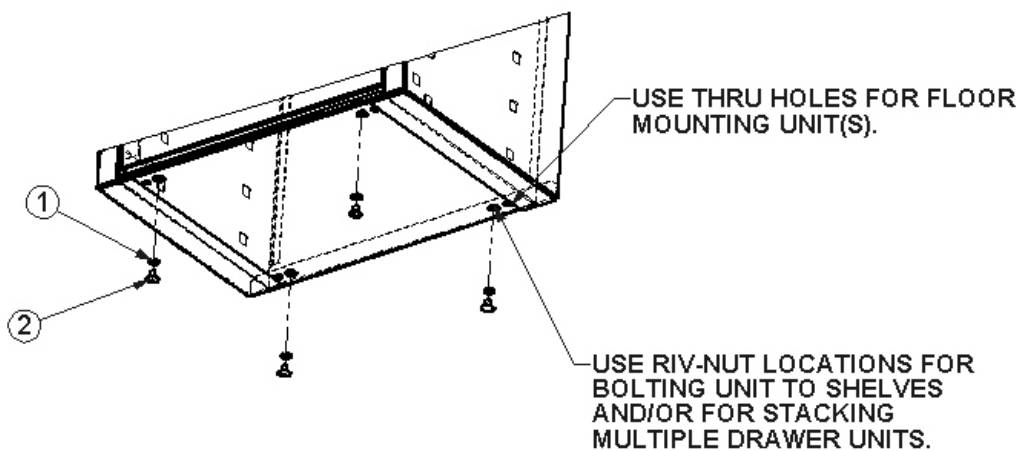
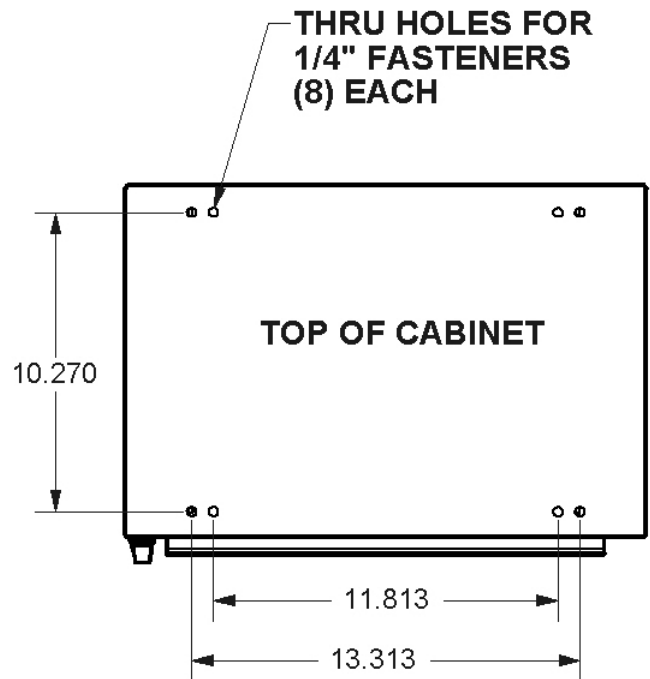
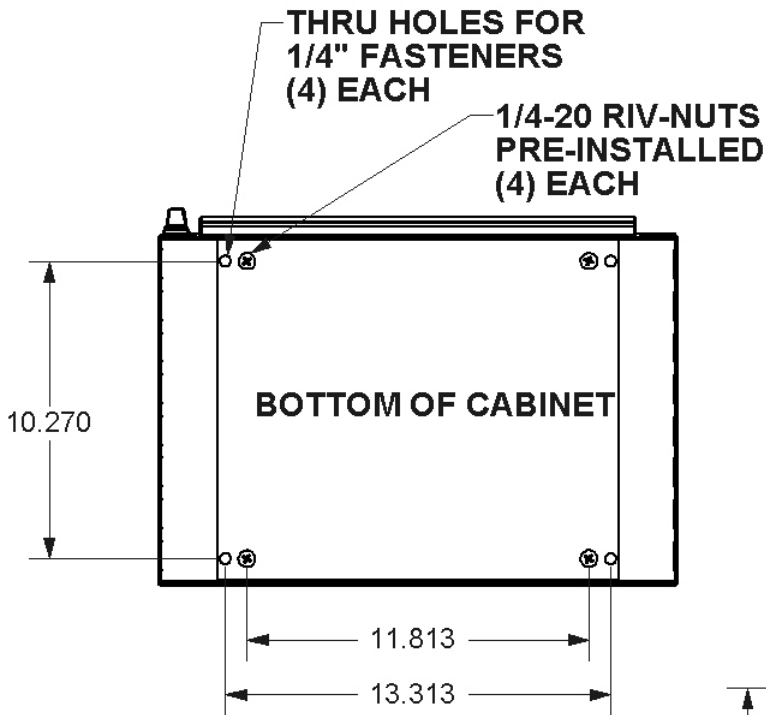


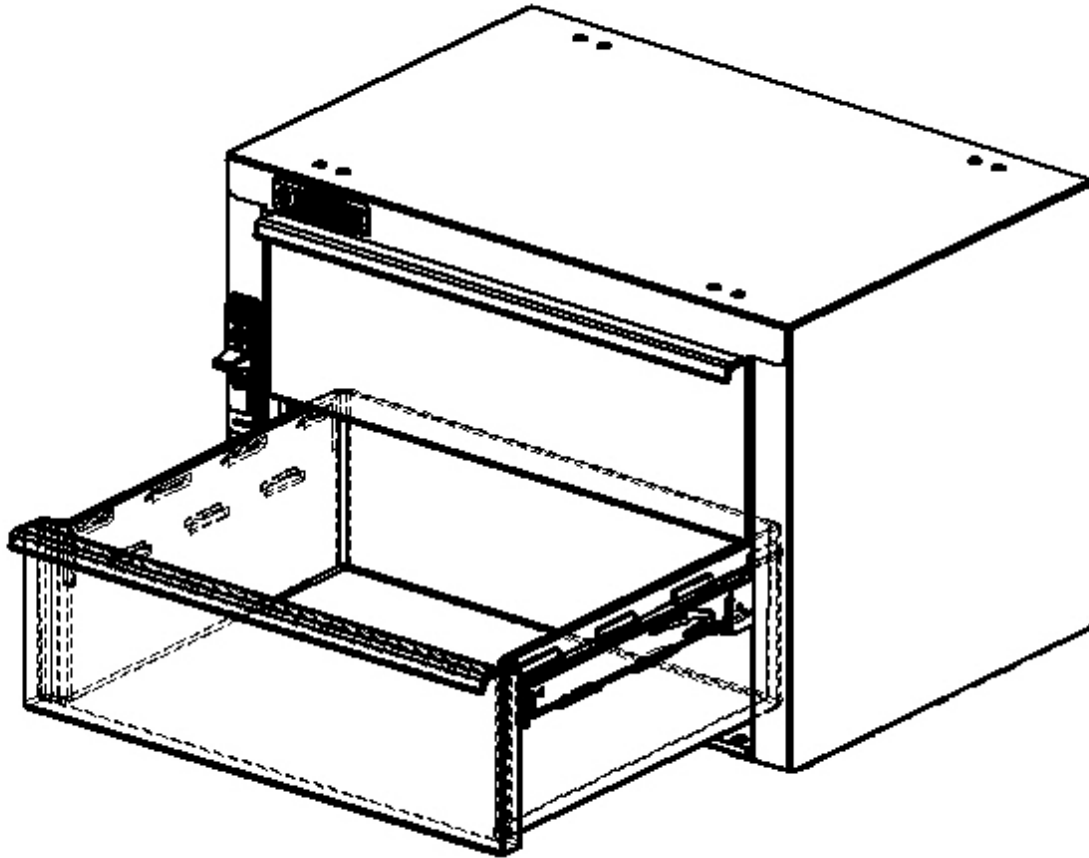
FAS0066  
WASHER,LCK EXT 1/4 ZP



FAS0520  
SCREW,THP 1/4-20 X .38  
ZP

**Step 01** Methods of Attachment





**DOUBLE CHECK ALL FASTENERS LOCATIONS TO BE SURE THAT ALL  
FASTENERS ARE TIGHTENED TO SPECIFICATIONS.  
YOUR INSTALLATION IS NOW COMPLETE!  
STOW THIS COPY IN THE VEHICLE FOR FUTURE REFERENCES!**