

SPRINTER & METRIS CARGO VAN EQUIPMENT



ADRIAN STEEL®

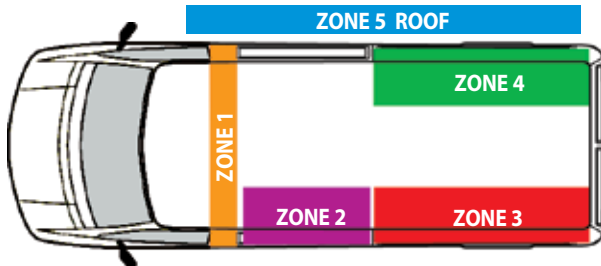
Cargo Management Solutions for Commercial Vehicles



YOU HAVE COME TO THE RIGHT PLACE FOR ORGANIZING YOUR SPRINTER CARGO VAN.

Adrian Steel has all the storage products you will need, and the tools to put them all together to best utilize the space in your Sprinter. This catalog is set up to walk you through the product categories as you would add them into your vehicle. Follow these simple steps to create an interior that fits your needs:

MAKE YOUR VEHICLE WORK READY!



ZONE 1 PARTITION

- Choose partition style: solid, perforated, or with a hinged door.
- Determine Sprinter roof height.
- Add accessories on both cab and cargo side.
- I need:

ZONES 2, 3, 4 CURBSIDE & STREETSIDE

- Use layout diagrams to determine the amount of space available.
- Choose from a variety of shelving units and modules that will best organize the tools and equipment you need to carry.
- I need:

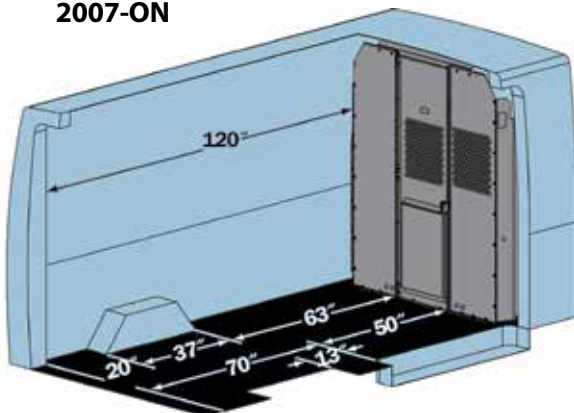
ADDITIONAL STORAGE

- Determine the space needed for specialty equipment: tank racks, lockers, reel holders, Stow-All floor drawers and more.
- Add accessories including door kits, drawers, hooks and more.
- I need:

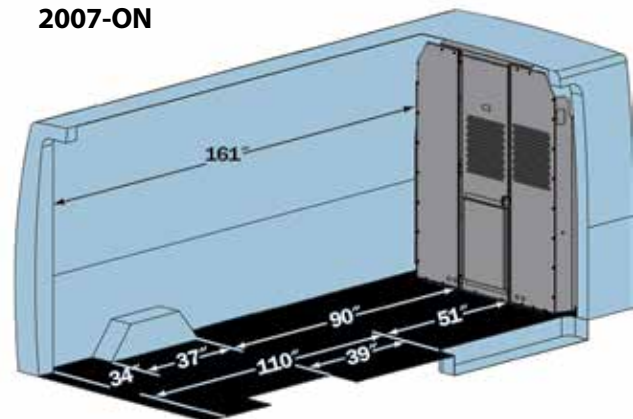
ZONE 5 ROOF

- Determine what will be carried: ladders, sheet goods, conduit, etc.
- Choose the LoadsRite for specifically carrying ladders or a Cargo Rack to carry a variety of cargo.
- Add rack accessories including step ladder kits, ratchet straps, conduit carriers and more.
- I need:

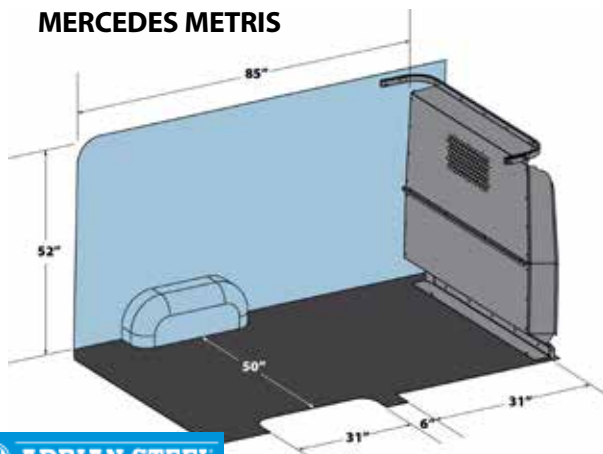
144" WHEELBASE SPRINTER INTERIOR 2007-ON



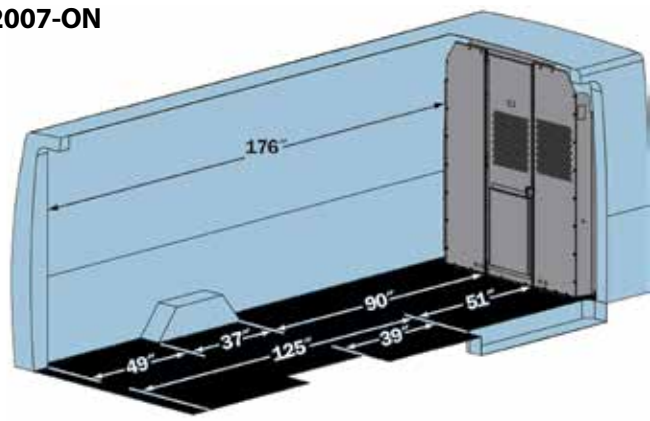
170" WHEELBASE SPRINTER INTERIOR 2007-ON



MERCEDES METRIS



170" EXTENDED WHEELBASE SPRINTER INTERIOR 2007-ON



PROTECTION FOR CARGO. PROTECTION FROM CARGO. Adrian partitions provide security from shifting loads. Choose a perforated partition for visibility or solid for better climate control. Solid and hinged door partitions are available.

Features & Benefits

- Built of strong, 16-gauge steel.
- Formed channels for extra strength.
- Steel-Cote™ diamond-hard finish resists scratches and dents.
- Perforated partition panels are strong and quiet.
- Includes all assembly and installation fasteners for base van trim level.
Higher trim levels may require modifying trim or partition.
- Partition features lower access holes for electrical wiring.



S1M1C1SPS



PDK2
Quiet Partition Door Kit
converts fixed center panel partition into a hinged door with keyed handle.



P2MMS

Metris Steel Partition
P2MMS 63" W x 13" D x 53" H Partition installs to factory attachments, no drilling or setting plusnuts required!

Need some help?
Contact your local distributor!
They can provide a wealth of information about utilizing the cargo space in your work van. Find your local distributor online at adriansteel.com.

2007 AND NEWER SPRINTER VAN PARTITION PANEL STYLES

Please state Sprinter model, year and wheelbase when ordering. Vehicles must have OEM option D62 Pre-installation for bulkhead.

Model	Roof Type	Streetside		Center				Curbside	
		Solid	Perforated	Solid	Hinged	Perforated	Hinged	Solid	Perforated
S1M1C1SPS	standard	■		■					■
S1M1HC1SPS	standard	■			■				■
S1M2C1SPS	standard	■				■			■
S1M2HC1SPS	standard	■					■		■
S1M2C2SPS	standard	■				■			■
S1M2HC2SPS	standard	■					■		■
S2M2C2SPS	standard		■			■			■
S2M2HC2SPS	standard		■				■		■
S1M1C1SPH	high	■		■					■
S1M1HC1SPH	high	■			■				■
S1M2C1SPH	high	■				■			■
S1M2HC1SPH	high	■					■		■
S1M2C2SPH	high	■				■			■
S1M2HC2SPH	high	■					■		■
S2M2C2SPH	high		■			■			■
S2M2HC2SPH	high		■				■		■
PA5-2 Plexiglas Cover Panel			■			■	■		■
P2MMS	Metris	■				■			■

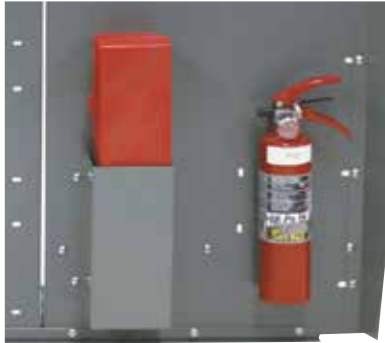
Please note: Contact Adrian Steel for 2006 and older Sprinter partitions. 170" interior installed in a Mega High roof Sprinter will require OEM partition.

All illustrations, photos and specifications in this publication are based on the latest product information available at the time of content approval.

The right is reserved to make changes at any time, without notice, in materials, specifications and models, and also to discontinue models.

Adrian's accessories allow you to fully utilize your partition space for storage and organization.

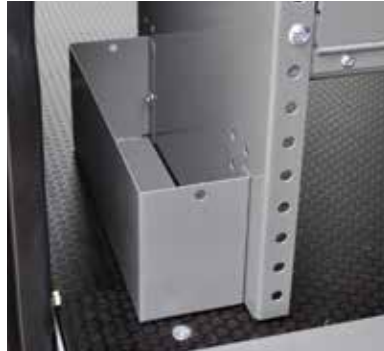
These accessories will make locating your equipment easier with practical item storage for required safety equipment and/or everyday materials. Take advantage of your partition space for a more efficient upfit solution!



Vehicle Safety

PA7 Triangle Reflector Kit

PA8 1-A:10-BC Fire Extinguisher



PA9 First Aid Box Tray

secures first aid box to partition or other vertical surface.

Overall size: 11"W, 4.5"H, 3-1/8"D.



Tank Holders

TH30 Refrigerant Tank Holder 30 lb

TH50 Refrigerant Tank Holder 50 lb.



TA1 Hook Bar

2" X 12" with 2" hanger opening. Mounts to any vertical surface



PA10 Practice Holder

Partition mounted holder for forms, manuals or work related papers

Overall size: 12" W, 7" H, 5" D.



PA11 Cab File Box

mounts to partition or other vertical surface.

Overall size: 14" W, 10-1/2" H, 3-1/2" D.



CB2 Two Book File

has hinged retaining straps. Mounts to floor or other horizontal surface.

Overall size: 6" W, 14" H, 9 3/4" D.

BH4 Four Slot Binder Holder

Designed to mount on partition or almost any vertical surface. Excellent for binders. Each pocket is 2 1/2" deep.

Overall size: 12-3/4" W, 19-1/2" H, 2-1/2" D.



MAXIMIZE STORAGE IN YOUR SPRINTER VAN! A great way to show your professionalism is to have an organized van. Get everything off the floor and in it's place with storage modules and accessories from Adrian Steel. Designed to accommodate a variety of items, with a combination of shelving, drawers, cabinets, files and more.

Modules come complete with installation instructions and fasteners. Some drilling is required. Installation should always be made to a body frame member or reinforcement to the body for secure attachment.



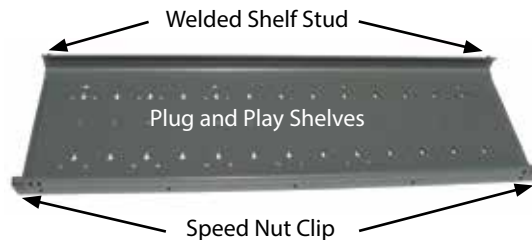
HD-SWP Series Adjustable Shelving Contains a 12" deep top tray with a 2" lip, one 14" deep shelf with a 2" lip, and two 14" deep shelves with a 4" lip. Contoured end panels provide flush fit to van side to maximize aisle space. Shelf gussets and a full floor rail provide extra strength. Available in three widths:
 HD-32SWP 32" W, 56" H, 12 1/2" D
 HD-42SWP 42" W, 56" H, 12" D
 HD-52SWP 52" W, 56" H, 12" D



HD-SPR Adjustable Shelving Contains 12" deep top shelf, one 14" deep HD shelf with drop in dividers and two 14" deep Z-shelves with removable shelf rail to add BasePlus accessories like drawers or door kits. Contoured end panels provide a flush fit. Available in three widths:
 HD32SPR 32"W, 56"H, 12/14"D
 HD42SPR 42"W, 56"H, 12/14"D
 HD52SPR 52"W, 56"H, 12/14"D

THE NEXT GENERATION OF CARGO MANAGEMENT SOLUTIONS

Tools, equipment and cargo come in all shapes and sizes and until now, there hasn't been a shelving unit that is **truly adjustable**. The ADseries is the first of it's kind where, with only a screwdriver, you can simply remove the front shelf bolts and move the shelf where you need it. Shelves can be adjusted in one inch increments and provide the most flexible shelving solution available.



MODEL	SIZE	DESCRIPTION
AD32FP	32"W x 46"H x 14"D	fits low roof Transit
AD44FP	44"W x 46"H x 14"D	fits low roof Transit
RKMM		Rail Kit

TRULY ADJUSTABLE SHELVES

All you need is a phillips head screwdriver! The unique shelf design features rear shelf studs that lock the shelves in place and speed nut clips that allow you to attach bolt on easily! Simply remove two bolts from the speed nut clips at the front lip of the shelf, tilt the shelf upwards to disengage the rear studs, move the shelf to your desired location, insert the rear shelf studs, reattach the bolts and you're done!



MD601 Drawer/Cabinet Module

Features two large lockable cabinets both with an adjustable shelf, and one 3-drawer combo with dividers.

Measures 18" W, 56" H, 12" D.

MD602 Drawer/Tray Module features three lockable 3-drawer mediums and a parts tray on top with a 2" lip.

Measures 18" W, 56" H, 12" D.



MD603 Drawer/Cabinet Module contains one large lockable cabinet with an adjustable shelf, one 3-drawer combo with a plastic parts tray in each of the two shallow drawers. One 3-drawer medium and a parts tray with a 2" lip for added storage.

Measures 18" W, 54" H, 12" D.



Locking Door Kits

for adjustable shelving
SPR Shelving:

DK532SPR

32" Door Kit with back panel

DK542SPR

42" Door Kit with back panel

DK552SPR

52" Door Kit with back panel

SWP Shelving:

DK532

32" Door Kit with back panel

DK542

42" Door Kit with back panel

DK552

52" Door Kit with back panel



MD604 Drawer/Cabinet Module has four large lockable cabinets with adjustable shelves, and eight shallow drawers. Cabinets feature an open side and combine to form a 36" wide compartment. Each drawer contains dividers to organize small parts.

Measures 36" W, 56" H, 12" D.



MD605 Drawer/Cabinet Module combines two open-sided lockable cabinets with adjustable shelves, ten medium drawers and a large 36" parts tray with a 2" lip across the top.

Measures 36" W, 54" H, 12" D.



MD607 Heavy-Duty KD Storage Unit features divided shelf storage, adjustable shelves, four shallow drawers with dividers in each, and two medium drawers.

Measures 42" W, 56" H, 12"/14" D.



MD705 Workbench Module has a Masonite covered worktop, stool, eight shallow and six medium drawers. All fourteen drawers are lockable.

Measures 42" W, 32" H, 12"/18" D.



MD610 Workbench Module includes a heavy-duty steel workbench with a Masonite covered worktop, stool, nine lockable medium drawers, four locking shallow drawers, a catalog file and a lockable wheel-house cover.

Measures 84" W, 32" H, 12"/18" D.



MD609 Heavy-Duty KD Storage Unit features two shelves with divided shelf storage and a 4" lip in addition to a lockable 52" long compartment.

Measures 52" W, 56" H, 12"/14" D.

Drawer Units – Lock ‘n Latch System

18"W x 12"H x 12"L steel cabinet with composite drawers. New drawer glides for better operation.

Model	Desc. & Drawer Size (Qty.)
19	2 Drawer Medium 16" W x 5" D x 11-1/2" L (2)
919	3 Drawer Combo 16" W x 2-1/2" D x 11-1/2" L (2) 16" W x 5" D x 11-1/2" L (1)
9	4 Drawer Shallow 16" W x 2-1/2" D x 11-1/2" L (4)



NEW & IMPROVED!



Drawer Units Locking Hinge & Hasp

#2 measures 18"W x 24"H x 18"L
#8 measures 18"W x 18"H x 12"L

Model	Desc. & Drawer Size (Qty.)
8	3 Drawer Medium 16" W x 5" D x 11-1/2" L (3)
2	4 Drawer Medium 16" W x 5" D x 17-1/2" L (4)
25	Divider Kit for #2 Drawer (1)
26	Divider Kit for #8 Drawer (1)

Drawer Components

High-impact polymer construction with drawer retention stops.

Model	Desc. & Cabinet Size
DC6	Base 3 drawer narrow model 6"W x 12"H x 12"D
DC12	Base 3 drawer wide model 12"W x 12"H x 12"D

Interlocking feature allows up to 2 units stacked vertically or multiple units horizontally. 5lb. weight capacity per drawer.



Shelf Cabinets can be used free standing or are perfect for stacking with our lockable drawer units.

Model	Description & Cabinet Size
1	Shelf Cabinet 18"W x 22"H x 18"L
12	Shelf Cabinet Open Side 18"W x 22"H x 12"L
1A	Optional Shelf for No. 1
12A	Optional End Panel for No.12



Cabinet Lockers

Lockers feature a 46" high storage space with removable shelves.

Model	Description & Cabinet Size
CL1446R	Cabinet Locker Full Door 18"W x 46"H x 14"D
CL1446D	Cabinet Locker Short Door 18"W x 46"H x 14"D

REEL HOLDERS



1: CRH2 Cable Reel Holder features a durable frame, two steel shafts that holds up to a 15-1/2" diameter reel by 14" wide.

Overall size: 19-1/8" W, 16" D, 44-7/8" H



2: KDRH2 Cable Reel Holder holds large spools up to 16" wide and 18" in diameter. Spools nest on conveyor rollers. Includes tie-down chains with neoprene covers.

Overall size: 18" W, 46" H, 18" D

3: WRH5 Wire Reel Holder Five removable bars hold wire spools up to 6" in diameter. Reel Holder mounts to shelf ends or any vertical surface.

Overall size: 12" W, 25" H, 4"





1: CB5 Five Slot Literature Holder
Mount on partition or other vertical surface. 2-1/2" deep pockets. 12"W, 24"H, 2-1/2"D.



2: 43 Three Shelf Catalog File Fits in narrow spaces. It has three tilted shelves. Perfect for binders and catalogs. 6" W, 34" H, 12" D.



3: CB7 Seven Slot Literature Holder
Mount on partition or other vertical surface. 6-3/4" deep pockets. 14-3/4"W, 28-7/8"H, 7"D.

Tank Racks vertically carry 30-lb. and 50-lb. Refrigerant tanks. Racks feature 14-gauge tubular steel frames welded for strength with sloped cradles and nylon straps.

Model	Description
WTR130250	(1) 30 lb & (2) 50 lb tanks
WTR230150	(2) 30 lb & (1) 50 lb tanks
WTR330	(3) 30 lb tanks
WTR350	(3) 50 lb tanks
WTR430	(4) 30 lb tanks



WTR430



WTR130250



WTR230150



PORTABLE PARTS CASES
Versatile, lightweight, durable, convenient and mobile - these **Portable Parts Cases** are perfect for the tech who needs to carry small parts and inventory to the jobsite.

The impact resistant body can be organized with the included adjustable dividers. The see-through lids with snap latches make identifying contents easy.

PPCS 14" x 14" x 3.75"
PPCL 14" x 14" x 6.25"



CHPPC5SM
16.5" x 14" x 35"

Case Holder options give you the ability to house multiple Portable Parts Cases near the vehicle door for easy access to grab-and-go. **CHPPC5SM** include a tray that holds an optional first aid kit and feature slanted shelves.



LKB1 Aluminum Lock Box
20" W, 14.5" H, 25" D

Aluminum Lock Box

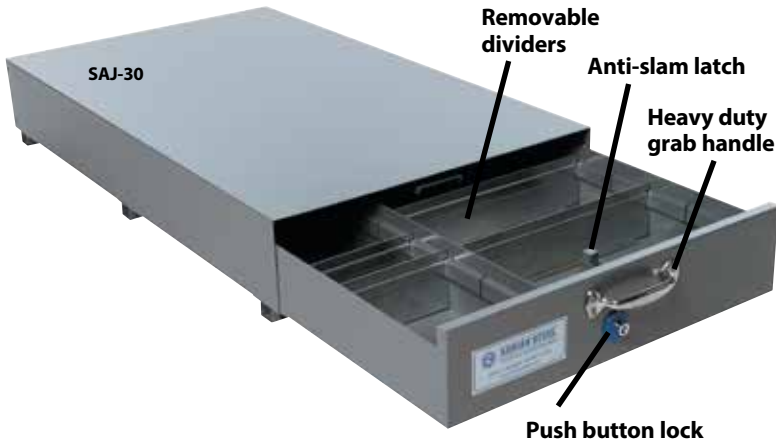
- Stores valuable tools and paperwork.
- Gas shock opens and closes the large lid.
- The large lock will accommodate a padlock or hockey puck style lock (not included.)
- Designed to mount on the van floor facing out the side or rear doors.
- Aluminum construction with powder coat black paint.



Wire Window Screens add security to cargo area windows. Screens are available for street and curbside sliding doors and rear doors.

- 60-75 SPR Curbside Sliding Door
- 60-76 SPR Streetside Sliding Door
- 60-77 SPR Curbside Rear Hinged Door
- 60-78 SPR Streetside Rear Hinged Door

ADRIAN'S STOW-ALL IS THE FINEST FLOOR STORAGE UNIT YOU CAN BUY.



- 14 Gauge steel outer cabinets are constructed with top channel cross support members for strength and rigidity.
- Drawers are constructed with double side-walls to prevent bowing and to accommodate items up to 48" in length.
- The anti-slam latch stops drawers from completely closing without positive latch activation.
- Heavy-duty grab handle and push button lock allows for comfortable, one-handed drawer operation.
- Durable powder coat finish will provide years of rugged service.
- Easy glide drawers with full width recessed conveyor roller at front and hardened steel roller bearings at rear.
- Install at rear or side doors, and units can be stacked.



SA-10



SA-20



SA-40



STOW-ALL DEEP SERIES

Model	Description	Cabinet Size	Drawer Size	Traction Kit	Divider (Qty.)
SA-10	Single Wide Deep	10"W x 12"H x 51-1/2"D	9-5/8"W x 8-1/2"H x 48-1/2"D	TK10	DV9(5)
SA-20	Double Wide Deep	20"W x 12"H x 51-1/2"D	19-5/8"W x 8-1/2"H x 48-1/2"D	TK20	DV19(5)
SA-40	Full Wide Deep	40"W x 12"H x 51-1/2"D	9-5/8"W x 8-1/2"H x 48-1/2"D (2)	TK40	DV9(10)
			19-5/8"W x 8-1/2"H x 48-1/2"D		DV19(5)

Traction Kits are available to provide a positive friction surface for better footing. Traction Kits are 4" wide, self-adhesive strips.



SAJ-10



SAJ-20



SAJ-30



SAJ-40

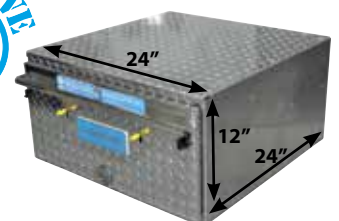
STOW-ALL SHALLOW SERIES Stow-All quality in a lower profile

Model	Description	Cabinet Size	Drawer Size	Traction Kit	Divider (Qty.)
SAJ-10	Single Wide Shallow	10"W x 8-1/2"H x 51-1/2"D	9-5/8"W x 5-1/4"H x 48-1/2"D	TK10	DVJ9(5)
SAJ-20	Double Wide Shallow	20"W x 8-1/2"H x 51-1/2"D	19-5/8"W x 5-1/4"H x 48-1/2"D	TK20	DVJ19(5)
SAJ-30	Triple Wide Shallow	30"W x 8-1/2"H x 51-1/2"D	9-5/8"W x 5-1/4"H x 48-1/2"D	TK30	DVJ9(5)
			19-5/8"W x 5-1/4"H x 48-1/2"D		DVJ19(5)
SAJ-40	Full Wide Shallow	40"W x 8-1/2"H x 51-1/2"D	9-5/8"W x 5-1/4"H x 48-1/2"D (2)	TK40	DVJ9(10)
			19-5/8"W x 5-1/4"H x 48-1/2"D		DVJ19(5)

Additional Dividers are available and are sold individually.

ALUMINUM FLOOR DRAWERS ARE LOADED WITH FEATURES!

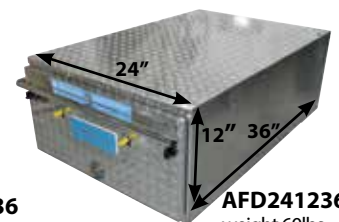
- Adrian Steel exclusive Anti-Slam latch keeps drawer from closing without positive latch activation. The only aluminum drawer in the industry with this feature!
- An automotive grade lock keeps expensive cargo secure and the adjustable divider helps keep contents segmented.
- The integral latch keep the drawer open when you are on an incline and closed when your done!
- Heavy duty grab handles and ball bearing slides allow the drawer to open and close with ease.
- Can be stacked to utilize large cubic storage areas.
- 24" deep units have a weight capacity of 350 lbs. and the 36" deep have a 325 lb. weight capacity.



AFD241224
weight 46lbs.



AFD181236
weight 52lbs.



AFD241236
weight 60lbs.

THE STORAGE SPACE ON YOUR SPRINTER'S ROOF IS NO LONGER OUT OF REACH. ACCESS IT WITH ADRIAN'S SPRINTER LOADSRITE AND CARGO RACKS.

SPRINTER LOADSRITE

lowers the ladder down to you for easier loading and unloading.

- **Secure** – Ladder clamps hold ladder tight during transportation.
- **Ladder protection** – Fiberglass ladders are protected by a layer of plastic when loaded on the rack.
- **Safe** – Two hand operation required to release ladder down into load and unload position.
- **Durable** – 3rd cross support protects drive shaft, greatly reducing wear and tear.
- **Easy operation** – Rollers and dampers create a smooth transition to the stowed and down positions.
- **Back saver** – Designed to allow loading and unloading of ladders one end at a time.
- **Easy reach handle** – Release handle slides down lower than competing racks for easier reach.
- **Ladder capacity** – Accommodates 16'-32' extension ladders.



Catalog #	Description
SPRLR-S61	Sprinter LoadsRite, standard roof, single, street/curbside
SPRLR-H61	Sprinter LoadsRite, high roof, single, street/curbside
SPRLR-62	Sprinter LoadsRite Add On Kit, street/curbside
SPRLR-S63	Sprinter LoadsRite, standard roof, double
SPRLR-H63	Sprinter LoadsRite, high roof, double



STOWED POSITION



ROTATE HANDLE



PRIMARY DROP



SECONDARY DROP

INTERIOR LADDER RACK

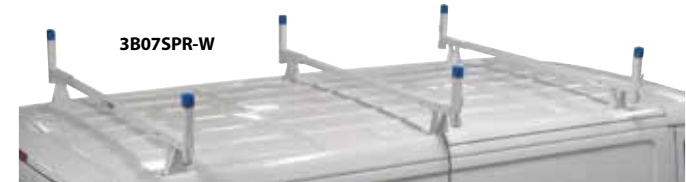
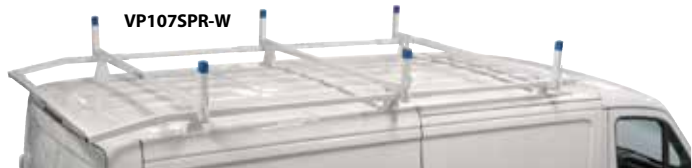
Out of the Way, Never Out of Reach

- The Interior Ladder Rack does not take up, limit, or reduce vertical standing room in your van and it allows quick and easy access to your ladder from outside of your vehicle.
- Eliminate the outside wear and tear on your ladder; protect your ladder from the elements, theft, and road grime.
- Customers will appreciate your use of clean, well taken care of equipment rather than bringing the outside mess into their home.
- Perfect for carrying 4ft and 6ft step ladders. Works best in medium and high roof vans and features plastic coated clamps to protect the ladder rungs during transit.



SPRINTER VP RACK & 3 BAR RACK

- **Versatile** – Designed to carry multiple types of cargo on the roof.
- **Load assist** – Angled rear bar assists in loading and unloading of cargo. VP Rack Only.
- **Carrying capacity** – Perimeter rails maximize roof space cargo storage. VP Rack Only.
- **Durable** – Powder coated steel available in black or white.



Catalog #	Description
VP107SPR-B	Perimeter Rack, 07-On Sprinter, standard & high roof, black
VP107SPR-W	Perimeter Rack, 07-On Sprinter, standard & high roof, white
VPE07SPR-B	Perimeter Rack Extension, black (170" Sprinter Only)
VPE07SPR-W	Perimeter Rack Extension, white (170" Sprinter Only)
3B07SPR-B	3Bar, 07-On Sprinter, standard & high roof, black
3B07SPR-W	3Bar, 07-On Sprinter, standard & high roof, white
1B07SPR-B	1Bar, 07-On Sprinter, standard & high roof, black
1B07SPR-W	1Bar, 07-On Sprinter, standard & high roof, white

NOTE: To make it possible to fit roof racks, the Sprinter must be equipped with C-Rails (option D13, for cargo vans only.) C-Rails can be retrofitted.

GRIP LOCK Ladder Rack

Single Grip Lock Ladder Rack for Mercedes Metris Vans. Aluminum construction with plastic and plastisol ladder contact surfaces to protect fiberglass ladders. This Rack can carry 28' Extension Ladders : check your local regulations regarding rear overhanging loads.

NOTE : Vehicle Roof Load Rating is 330 Lbs. Max.

Catalog #	Description
2BMM	2 bar utility rack
61-MM	Single grip Lock ladder rack
63-MM	Double grip Lock ladder rack
1BMMGL	Center bow add on kit
69-TCL14	Extension kit (28' ladders, requires 1BMMGL)
61TCSSUR	SS utility add on kit



61-MM Single Grip Lock

Utility Rack (not shown)

This lightweight and adjustable Utility Rack for the Metris features an aluminum construction with composite surfaces to prevent damage to ladders or cargo. Can carry up to a 24 ft. long extension ladder or up to 125 pounds. Measures 63"W, 77.5"D, 11"H. No-drill installation.

Order 1BPMCGL Center Bow Add-on Kit for carrying short ladders or cargo.

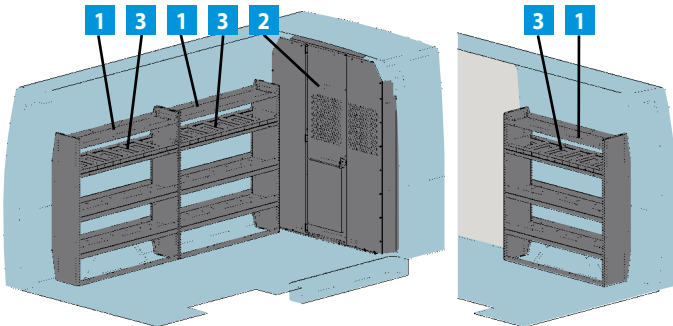
63-MM Double Grip Lock with 1BMMGL Center Bow Add On Kit





BASEPLUS MAKES IT EASY TO GET TRADE SPECIFIC.

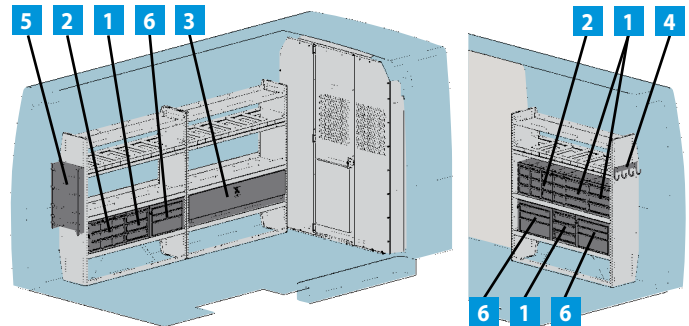
The Base Commercial Package gets you started with the basics including ample shelving and a partition. Then, upgrade to one of three trade specific packages that add accessories like door kits, hooks, tank racks, reel holders and drawers.



144" SPRINTER BASE COMMERCIAL PACKAGE

4009H High Roof Package
4009S Standard Roof Package

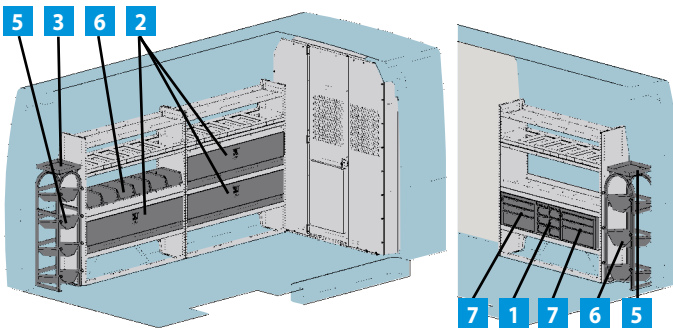
Item	Model	Description	Qty.
1	HD52SPR	Heavy Duty Adjustable Closed Ended Shelving Unit 14x56x52	3
2	S1M2HC2	Partition/07/Sprinter	1
3	DV14	14" Divider (included with shelf units)	15



144" SPRINTER BASEPLUS ELECTRICAL PACKAGE

4010H High Roof Package
4010S Standard Roof Package

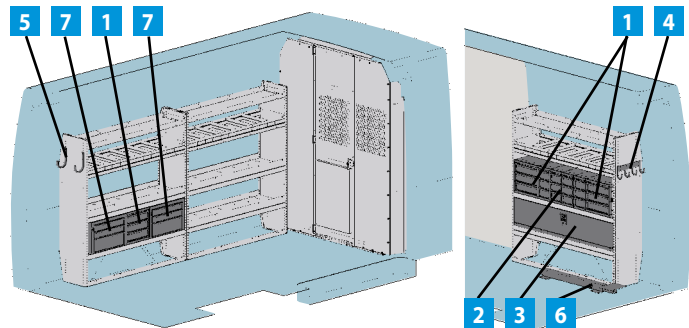
Item	Model	Description	Qty.
4009H Commercial Package PLUS			
1	DC12	Drawer Component 12" Wide	4
2	DC6	Drawer Component 6" Wide	7
3	DK552SPR	Door Kit/Back Panel/52"	1
4	TA1	Four Hook Bar	1
5	WRH5	Wire Reel Holder 6" 5-Bar	1
6	919	3-Drawer Combo	3



144" SPRINTER BASEPLUS HVAC PACKAGE

4011H High Roof Package
4011S Standard Roof Package

Item	Model	Description	Qty.
4009H Commercial Package PLUS			
1	DC6	Drawer Component 6" Wide	2
2	DK552SPR	Door Kit/Back Panel/52"	3
3	WTRTRAY	Shelf Assembly/Top/Tank Rack	2
4	WTR350	Welded Tank Rack, 3-50	1
5	WTR430	Welded Tank Rack, 4-30	1
6	28 LINBIN	Blue/10x8x7	6
7	919	3-Drawer Combo	2



144" SPRINTER BASEPLUS PLUMBING PACKAGE

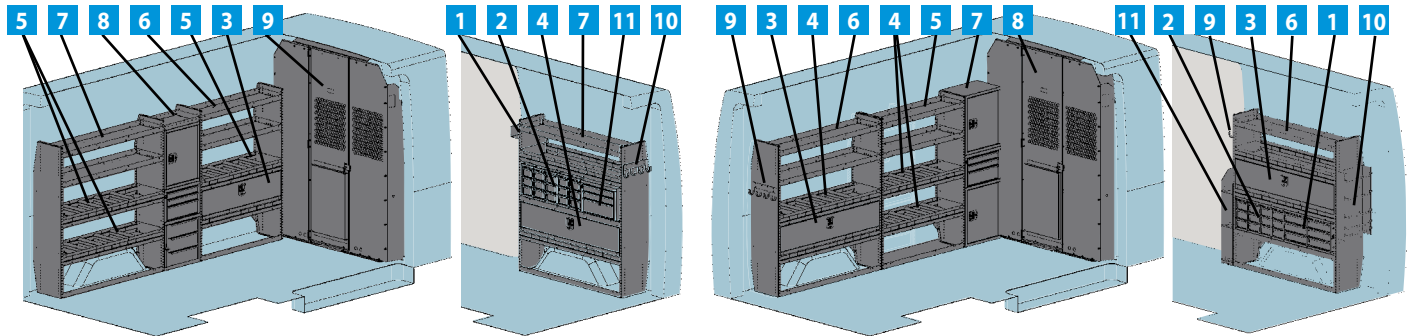
4012H High Roof Package
4012S Standard Roof Package

Item	Model	Description	Qty.
4009H Commercial Package PLUS			
1	DC12	Drawer Component 12" Wide	3
2	DC6	Drawer Component 6" Wide	4
3	DK552SPR	Door Kit/Back Panel/52"	1
4	TA1	Four Hook Bar	1
5	UH50	Utility Hook/5"	2
6	VMA36	Vise Mount Assy.	1
7	919	3-Drawer Combo	2

Note: Illustrations and descriptions are for 2007 and newer Sprinter vehicles. Call Adrian Steel for package information for 2006 and older Sprinter vehicles.

DON'T LET ALL THAT SPACE INSIDE YOUR SPRINTER CARGO VAN INTIMIDATE YOU. ORGANIZE IT WITH ADRIAN STEEL!

If you just don't know where to start, turn to Adrian for ideas on how to best maximize that precious space inside your Sprinter Van. Trade packages are designed for several different vocations with trade specific equipment like tank racks and small parts storage. If you don't see exactly what you are looking for, that's ok! Trade packages are thought starters, designed to give you ideas to run with as you combine the Adrian shelving, cabinets, drawers and modules to fit your specific needs.



144" SPRINTER GENERAL SERVICE PACKAGE

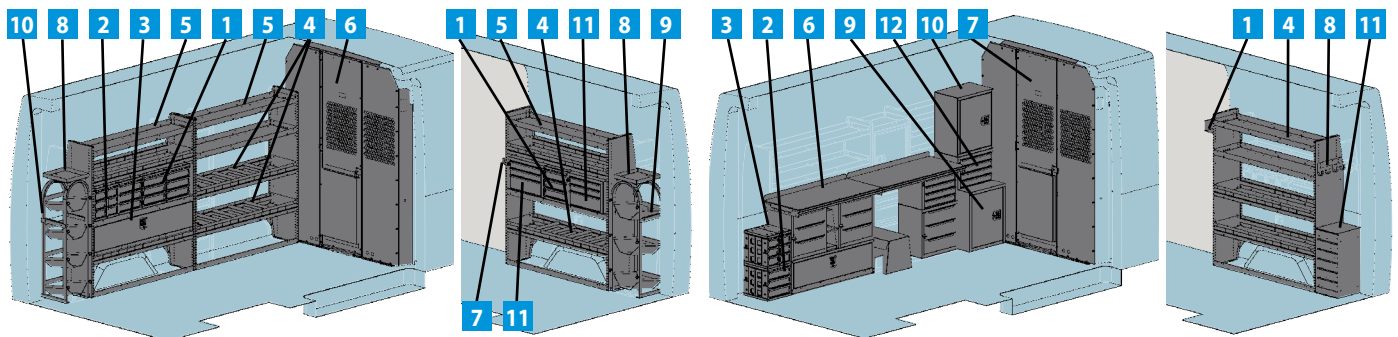
4013H High Roof Package
4013S Standard Roof Package

Item	Model	Description	Qty.
1	ACT3	Aerosol Can Tray 3-Hole	1
2	DC6	Drawer Component 6" Wide	5
3	DK542	Door Kit/Back Panel/42"	1
4	DK552	Door Kit/Back Panel/52"	1
5	DV14	Divider/4x14	12
6	HD-42SWP	HD Adj. Closed Ended Shelving 14x56x42	1
7	HD-52SWP	HD Adj. Closed Ended Shelving 14x56x52	2
8	MD603	Drawer/Cabinet/Module 12x54x18	1
9	S1M2HC2	Partition/07/Sprinter	1
10	TA1	Four Hook Bar	1
11	919	3-Drawer Combo	1

144" SPRINTER ELECTRICAL PACKAGE

4014H High Roof Package
4014S Standard Roof Package

Item	Model	Description	Qty.
1	DC12	Drawer Component 12" Wide	2
2	DC6	Drawer Component 6" Wide	4
3	DK552	Door Kit/Back Panel/52"	2
4	DV14	Divider/4x14	12
5	HD-42SWP	HD Adj. Closed Ended Shelving 14x56x42	1
6	HD-52SWP	HD Adj. Closed Ended Shelving 14x56x52	2
7	MD601	Drawer/Cabinet/Module 12x56x18	1
8	S1M2HC2	Partition/07/Sprinter	1
9	TA1	Four Hook Bar	2
10	WRH5	Wire Reel Holder 5-Bar	1
11	43	Three Shelf Catalog File	1



144" SPRINTER HVAC PACKAGE

4015H High Roof Package
4015S Standard Roof Package

Item	Model	Description	Qty.
1	DC12	Drawer Component 12" Wide	4
2	DC6	Drawer Component 6" Wide	2
3	DK552	Door Kit/Back Panel/52"	1
4	DV14	Divider/4x14	12
5	HD-52SWP	HD Adj. Closed Ended Shelving 14x56x52	3
6	S1M2HC2	Partition/07/Sprinter	1
7	TA1	Four Hook Bar	1
8	WTRTRAY	Shelf Assembly/Top/Tank Rack	2
9	WTR350	Welded Tank Rack/3-50	1
10	WTR430	Welded Tank Rack/4-30	1
11	919	3-Drawer Combo	2

144" SPRINTER LOCKSMITH PACKAGE

4016H High Roof Package
4016S Standard Roof Package

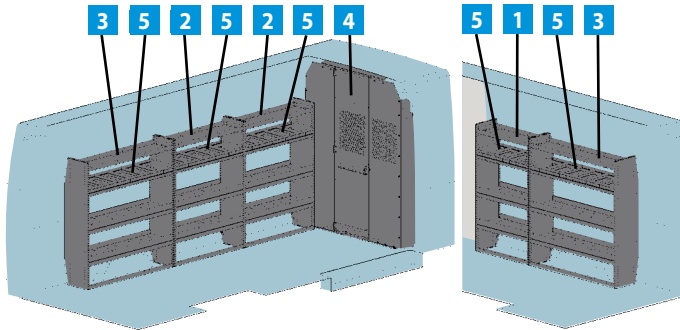
Item	Model	Description	Qty.
1	ACT3	Aerosol Can Tray 3-Hole	1
2	DC12	Drawer Component 12" Wide	1
3	DC6	Drawer Component 6" Wide	2
4	HD-52SWP	HD Adj. Closed Ended Shelving 14x56x52	1
5	KMB36	Key Machine Base 36" (not shown)	1
6	MD610	Workbench Module 18x32x84	1
7	S1M2HC2	Partition/07/Sprinter	1
8	TA1	Four Hook Bar	1
9	1	Cabinet 18x22x18	1
10	12	Cabinet 12x22x18	1
11	17A	Catalog File 6 Shelf	1
12	9	4-Drawer Shallow	1
13	12A	End Panel #12 (not shown)	1

Note: Illustrations and descriptions are for 2007 and newer Sprinter vehicles. Call Adrian Steel for package information for 2006 and older Sprinter vehicles.



BASEPLUS MAKES IT EASY TO GET TRADE SPECIFIC.

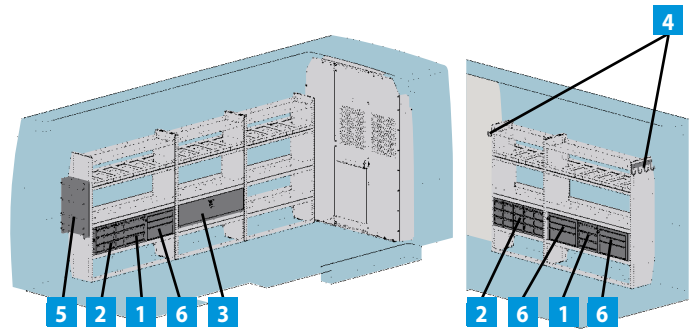
Start with the basics like shelving and a partition. Then add everything you need, where you need it. The Base Commercial Package gets you started with ample shelving and a partition, then upgrade to one of three trade specific packages that add accessories like door kits, hooks, tank racks, reel holders and drawers.



170" SPRINTER BASE COMMERCIAL PACKAGE

4005H High Roof Package

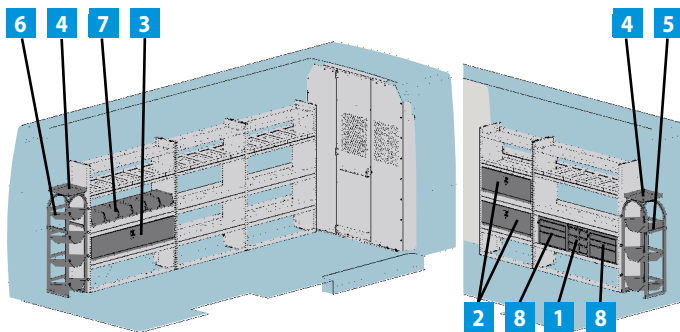
Item	Model	Description	Qty.
1	HD32SPR	Heavy Duty Adjustable Closed Ended Shelving Unit 14x56x32	1
2	HD42SPR	Heavy Duty Adjustable Closed Ended Shelving Unit 14x56x42	2
3	HD52SPR	Heavy Duty Adjustable Closed Ended Shelving Unit 14x56x52	2
4	S1M2HC2	Partition/07/Sprinter	1
5	DV14	14" Divider (included with shelf units)	21



170" SPRINTER BASEPLUS ELECTRICAL PACKAGE

4006H High Roof Package

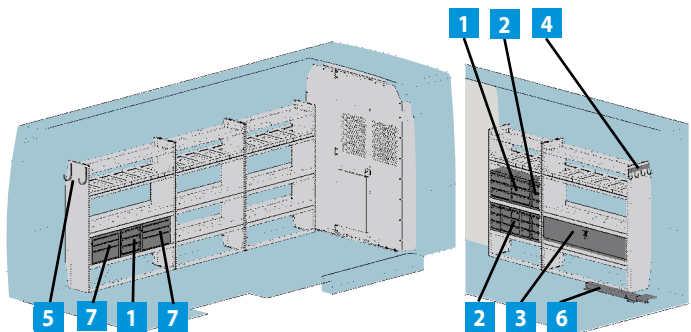
Item	Model	Description	Qty.
4005H Commercial Package PLUS			
1	DC12	Drawer Component 12" Wide	2
2	DC6	Drawer Component 6" Wide	8
3	DK542SPR	Door Kit/Back Panel/42"	1
4	TA1	Four Hook Bar	2
5	WRH5	Wire Reel Holder 6" 5-Bar	1
6	919	3-Drawer Combo	3



170" SPRINTER BASEPLUS HVAC PACKAGE

4007H High Roof Package

Item	Model	Description	Qty.
4005H Commercial Package PLUS			
1	DC6	Drawer Component 6" Wide	2
2	DK532SPR	Door Kit/Back Panel/32"	2
3	DK552SPR	Door Kit/Back Panel/52"	1
4	WTRTRAY	Shelf Assembly,Top,Tank Rack	2
5	WTR350	Welded Tank Rack, 3-50	1
6	WTR430	Welded Tank Rack, 4-30	1
7	28 LINBIN	Blue 10x8x7	6
8	919	3-Drawer Combo	2



170" SPRINTER BASEPLUS PLUMBING PACKAGE

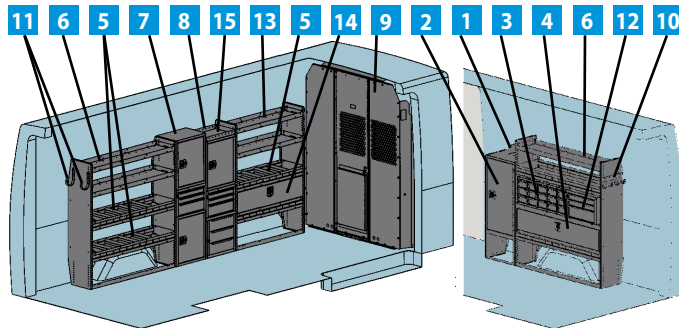
4008H High Roof Package

Item	Model	Description	Qty.
4005H Commercial Package PLUS			
1	DC12	Drawer Component 12" Wide	3
2	DC6	Drawer Component 6" Wide	6
3	DK552SPR	Door Kit/Back Panel/52"	1
4	TA1	Four Hook Bar	1
5	UH50	Utility Hook, 5"	2
6	VMA36	Vise Mount Assembly	1
7	919	3-Drawer Combo	2

Note: Illustrations and descriptions are for 2007 and newer Sprinter vehicles. Call Adrian Steel for package information for 2006 and older vehicles. 170" interior installed in a Mega High roof Sprinter will require OEM partition.

DON'T LET ALL THAT SPACE INSIDE YOUR SPRINTER INTIMIDATE YOU. ORGANIZE IT WITH ADRIAN STEEL!

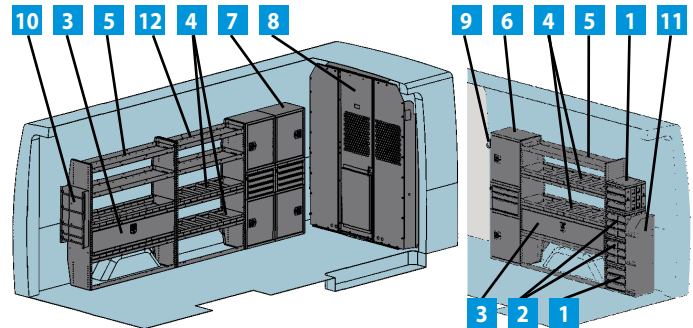
If you just don't know where to start, turn to Adrian for ideas on how to best maximize that precious space inside your Sprinter Van. Trade packages are designed for several different vocations with trade specific equipment like tank racks and small parts storage. If you don't see exactly what you are looking for, that's ok! Trade packages are thought starters, designed to give you ideas to run with as you combine the Adrian shelving, cabinets, drawers and modules to fit your specific needs.



170" SPRINTER GENERAL SERVICE PACKAGE

4001H High Roof Package

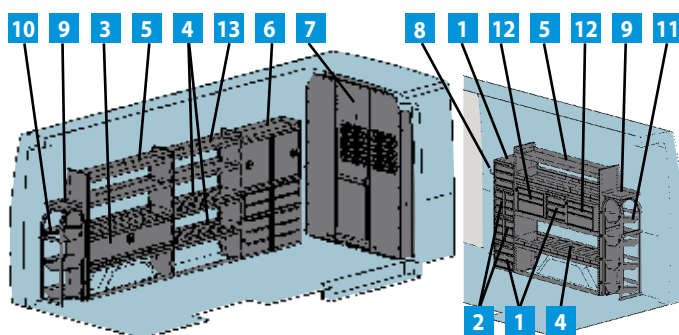
Item	Model	Description	Qty.
1	ACT3	Aerosol Can Tray/3-Hole	1
2	CL1446D	Cable Locker Mid Door	1
3	DC6	Drawer Component 6" Wide	5
4	DK552	Door Kit 52"	1
5	DV14	Divider 4x14	12
6	HD-52SWP	HD Adj. Closed Ended Shelving 14x56x52	2
7	MD601	Drawer/Cabinet Module 12x56x18	1
8	MD603	Drawer/Cabinet Module 12x54x18	1
9	STM2HC2	Partition/07/Sprinter	1
10	TA1	Four Hook Bar	1
11	UH50	5" Hook Bar	2
12	919	3-Drawer Combo	1
13	HD-42SWP	HD Adj. Closed Ended Shelving 14x56x42	1
14	DK542	Door Kit 42"	1
15	4B	Parts Tray	1



170" SPRINTER ELECTRICAL SERVICE PACKAGE

4002H High Roof Package

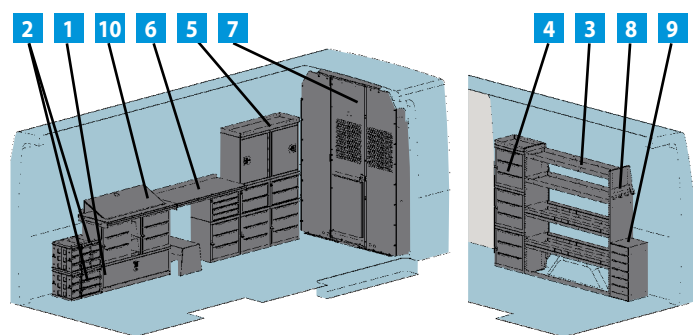
Item	Model	Description	Qty.
1	DC12	Drawer Component 12" Wide	2
2	DC6	Drawer Component 6" Wide	4
3	DK552	Door Kit 52"	2
4	DV14	Divider 4x14	16
5	HD-52SWP	HD Adj. Closed Ended Shelving 14x56x52	2
6	MD601	Drawer/Cabinet Module 12x56x18	1
7	MD604	Drawer/Cabinet Module 12x56x36	1
8	STM2HC2	Partition/07/Sprinter	1
9	TA1	Four Hook Bar	1
10	WRH5	Wire Reel Holder 5-Bar	1
11	43	Catalog File 34"	1
12	HD-42SWP	HD Adj. Closed Ended Shelving 14x56x42	1



170" SPRINTER HVAC PACKAGE

4003H High Roof Package

Item	Model	Description	Qty.
1	DC12	Drawer Component 12" Wide	3
2	DC6	Drawer Component 6" Wide	4
3	DK552	Door Kit 52"	1
4	DV14	Divider 4x14	12
5	HD-52SWP	HD Adj. Closed Ended Shelving 14x56x52	2
6	MD605	Drawer/Cabinet Module 12x54x36	1
7	STM2HC2	Partition/07/Sprinter	1
8	TA1	Four Hook Bar	1
9	WTRTRAY	Shelf Assy, Top, Tank Rack	2
10	WTR350	Welded Tank Rack, 3-50	1
11	WTR430	Welded Tank Rack, 4-30	1
12	919	3-Drawer Combo	2
13	HD-42SWP	HD Adj. Closed Ended Shelving 14x56x42	1

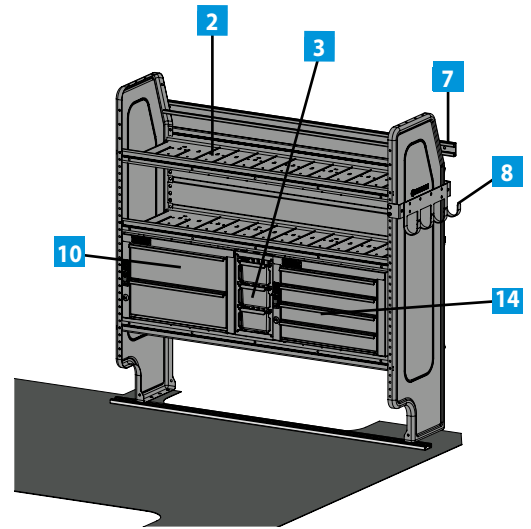
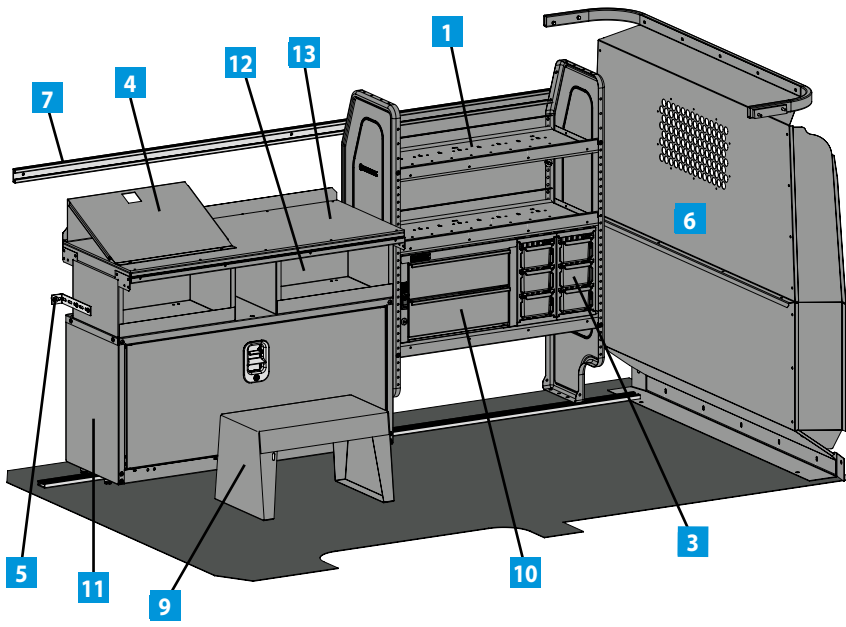


170" SPRINTER LOCKSMITH PACKAGE

4004H High Roof Package

Item	Model	Description	Qty.
1	DC12	Drawer Component 12" Wide	1
2	DC6	Drawer Component 6" Wide	4
3	HD-52SWP	HD Adj. Closed Ended Shelving 14x56x52	1
4	MD602	Drawer/Cabinet Module 12x56x18	1
5	MD605	Drawer/Cabinet Module 12x54x36	1
6	MD610	Workbench Module 18x32x84	1
7	STM2HC2	Partition/07/Sprinter	1
8	TA1	Four Hook Bar	1
9	17A	Catalog File 6 Shelf	1
10	KMB36	Key Machine Base 36"	1

Note: Illustrations and descriptions are for 2007 and newer Sprinter vehicles. Call Adrian Steel for package information for 2006 and older vehicles. 170" interior installed in a Mega High roof Sprinter will require OEM partition.

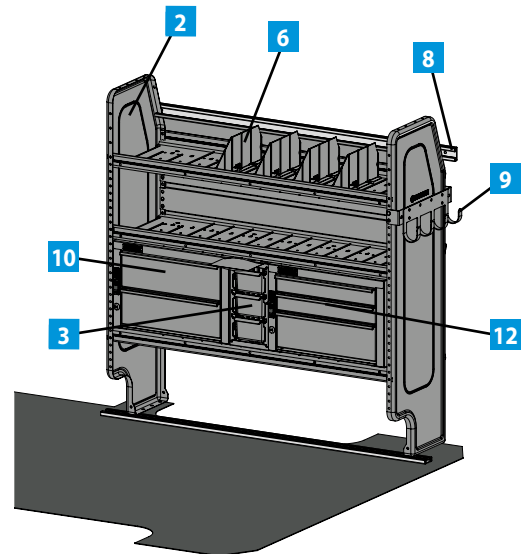
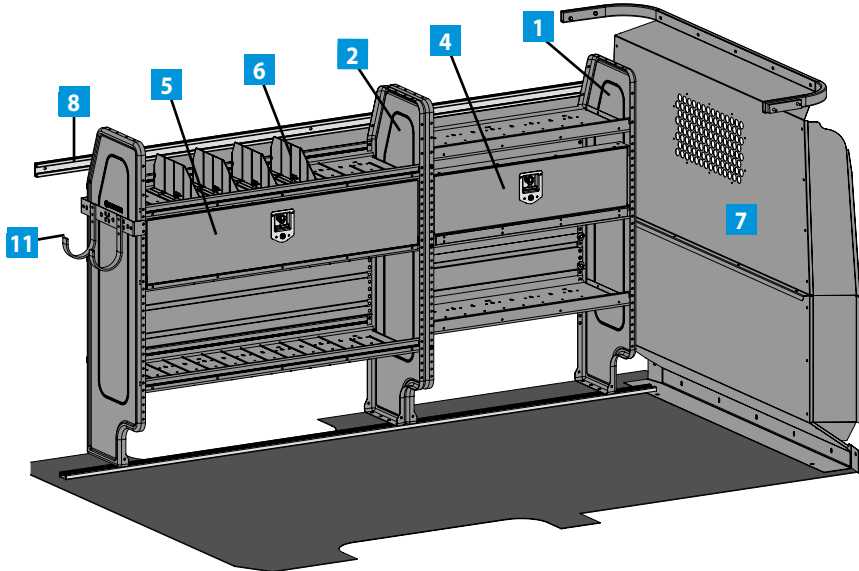


METRIS LOCKSMITH PACKAGE

2255MM

Item	Model	Description	Qty.
2255MM Locksmith Upfit			
1	AD32FP	AD32FP Shelf Assembly	1
2	AD44FP	AD44FP Shelf Module	1
3	DC6	Drawer Component 6" Wide	3
4	KMB18	Key Machine Base 18"	1
5	MB113	Mount Bracket W/Fas 1X5	2
6	P2MMS	Partition, Metris, Steel	1
7	RKMM	Rail Kit, Single	1
8	TA1WAD	Hookbar TA1 W/AD Adapter	1

Item	Model	Description	Qty.
9	14	Step Stool	1
10	19	2 Drawer Medium	2
11	40H	Wheel House Bin, ProMaster	1
12	46618	Riser Shelf Kit, MD608PM	2
13	54	Workbench (18x42)	1
14	9	4 Drawer Shallow	1

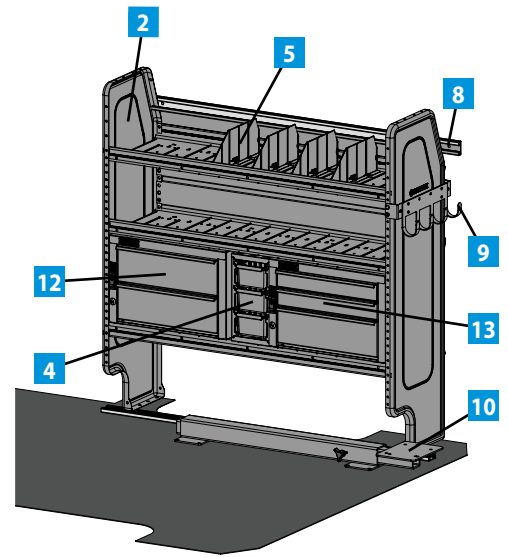
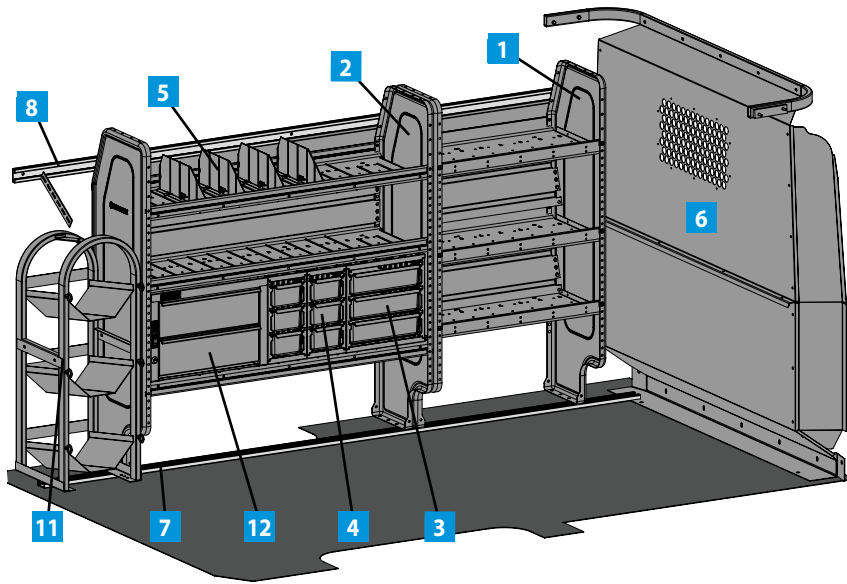


METRIS GENERAL PACKAGE

4317MM

Item	Model	Description	Qty.
4317MM General Package Upfit			
1	AD32FP	Shelf Assembly	1
2	AD44FP	Shelf Module	2
3	DC6	Drawer Component 6" Wide	1
4	DK3008	8" Door Kit	1
5	DK4208	8" Door Kit	1
6	DV14C8	Divider Kit of 8	1
7	P2MMS	Steel Partition	1
8	RKMM	Rail Kit, Single	1

Item	Model	Description	Qty.
9	TA1WAD	Hookbar TA1 W/AD Adapter	1
10	19	2 Drawer Medium	1
11	47939	UH50 (2) W/Adapter	1
12	919	3 Drawer Medium	1

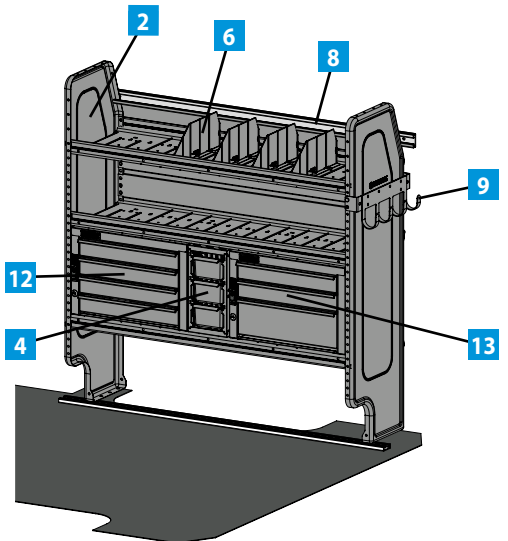
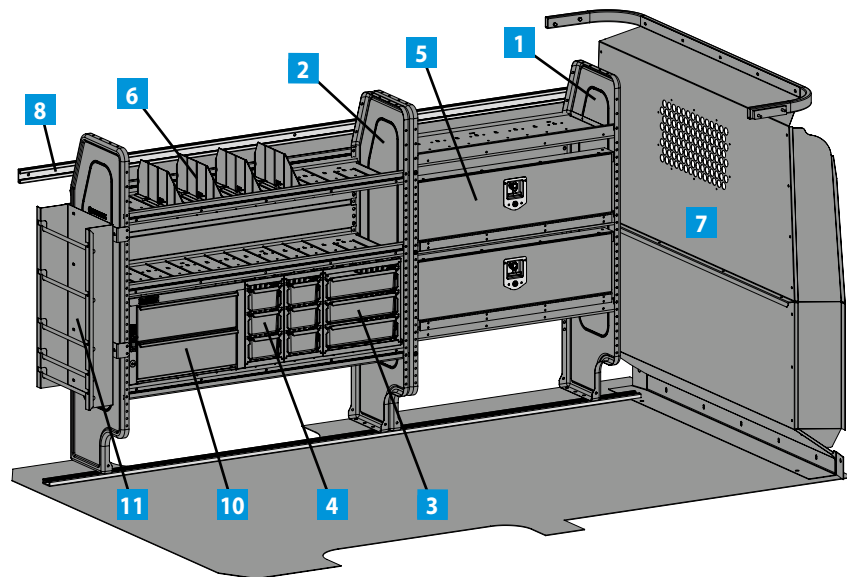


PLUMBING, HEATING, A/C

4318MM

Item	Model	Description	Qty.
4318MM Plumbing, Heating, A/C Upfit			
1	AD26TC	26\"/>	

Item	Model	Description	Qty.
9	RKMM	Rail Kit, Single	1
10	TA1WAD	Hookbar TA1 W/AD Adapter	1
11	VMA36	Vise Mount Assembly	1
12	WTR230150	Welded Tank Rack 2-30 1-50	1
13	19	2 Drawer Medium	2
14	919	3 Drawer Combo	1



METRIS ELECTRIC-GAS APPLIANCE REPAIR

4319MM

Item	Model	Description	Qty.
4319MM Electric-Gas Upfit			
1	AD32FP	Shelf Assembly	1
2	AD44FP	Shelf Module	2
3	DC12	Drawer Component 12\"/>	

Item	Model	Description	Qty.
9	RKMM	Rail Kit, Single	1
10	TA1WAD	Hookbar TA1 W/AD Adapter	1
11	19	2 Drawer Medium	1
12	46106	WRH5 With AD Brackets	1
13	9	4 Drawer Shallow	1
14	919	3 Drawer Combo	1

ADRIAN STEEL COMPANY



QUALITY

- Our products are durable and reliable. Warranty claims are less than 1% of sales.
- Our warranty covers our products for three years or 36,000 miles.

INNOVATIVE PRODUCTS WITH FEATURES THAT MATTER

- Drawers that stay closed while in transit.
- Heavy-duty, adjustable shelving.
- LoadsRite and Grip-Lock ladder racks that load and unload the safe and right way.
- Trade specific accessories including tank racks, cable reel holders and vice mounts.
- Plug and Play accessories.
- Anti-slam drawer latches, and much more!

COMMITMENT

At Adrian Steel, we are committed to you beyond the upfit!

- A dedicated Customer Care Team at corporate headquarters.
- A network of highly qualified distributors to support you locally.
- Our commitment to provide the best cargo management solutions in North America.

EXPERIENCE

- **Over One Million vans upfitted**, and counting! It's a fact that an organized vehicle increases work flow efficiencies and reduces inventory damages.
- Recognized as a National Truck Equipment Association MVP.



SERVICE

- Adrian Steel Products can be purchased throughout North America at authorized Adrian Steel distributors.
- Adrian Steel Customer Service Representatives are available M-F, 8am - 5pm EST at **1-800-677-2726**.
- E-mail us at info@adriansteel.com with questions, comments and feedback.
- Visit AdrianSteel.com for the most up-to-date product information, distributor locator, product catalogs, videos and more.

PROUDLY DISTRIBUTED BY:



906 James Street
Adrian, Michigan 49221-3996
517-265-6194 Fax: 517-265-5834
Toll Free **800-677-2726**
adriansteel.com info@adriansteel.com