

GM EXPRESS/ACCESS & CITY EXPRESS CARGO VAN EQUIPMENT



ADRIAN STEEL®

Cargo Management Solutions for Commercial Vehicles



TIME IS MONEY! GET ON THE ROAD WITH EVERYTHING YOU NEED!

Adrian Steel has the storage products you need, with a nationwide distributor network for professional installation. This catalog will help you set up your work van with the equipment you need to get the job done. Start with a partition to keep your cargo in the cargo area. Choose the shelving and modules for the curb and street side that fit your business needs. Or, choose a pre-designed trade package to start from. Add the accessories you need to make your van more organized. Carry ladders or cargo on your roof? Check out the variety of ladder and utility racks available. The options are many, so if you don't know where to start contact your local Adrian Steel distributor for the expert advice you are looking for.



\$1200 UPFIT CASH*
ON EXPRESS & SAVANA

\$350 UPFIT CASH*
ON CITY EXPRESS

MAKE YOUR CARGO VAN WORK READY WITH THE GM BUSINESS CHOICE PROGRAM.

Get The Ultimate In Flexibility When You Take Upfit Cash And Apply It Towards Any Adrian Steel Upfit, Including Commerical Curb Appeal!

WHAT IS GM BUSINESS CHOICE?

GM Business Choice is an incentive program designed specifically for business owners who use vehicles in the day-to-day operation of their business and not solely for transportation purposes. This incentive is available when you purchase or lease an eligible Chevrolet or GMC cargo van.

SAVE TIME!

Don't go searching around town for product you need for your GM Cargo Van. Adrian Steel has a comprehensive line of cargo management solutions to get your van upfitted for your trade! You can leave the dealership with a cargo van that is ready to go to work!

COMMERCIAL EXPERTS!

Your GM Dealership and Adrian Steel Distributor can guide you through the upfit process. Utilize their product expertise to get a complete, turn-key work vehicle.

PRODUCT FLEXIBILITY!

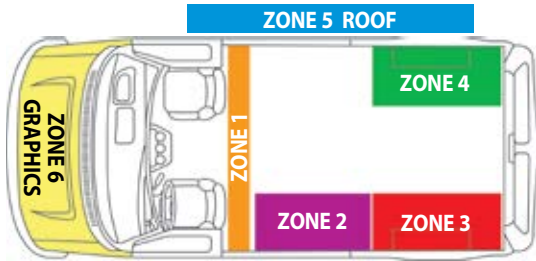
Create a work ready van, designed by you, for your specific cargo carrying needs! Organize the interior of your van to suit your trade with Adrian Steel's modular product line. Start with the essentials: a partition, shelving and a roof rack. Then get trade specific by adding drawer units, door kits, hook bars, floor drawers and more!

PROGRAM TIMEFRAME & DETAILS*

The 2015 GM Business Choice Program runs through September 30, 2015. You must purchase or lease your vehicle and take delivery during the program time frame and provide proof of your business. Program is not available in all areas and may not be compatible with other offers or incentive programs. Consult your dealer for complete program details. For more information, please contact your local Adrian Steel Distributor.

*US program only. See website for GM Canada program details. Program subject to change without notice.

GM is a registered trademark of the General Motors Corporation.



ZONE 1 PARTITION

- Choose partition style: solid or perforated. Do you want a hinged door? See pgs 6-7.
- Choose the standard or 3" setback wing kit and add accessories.

ZONES 2, 3, 4 CURBSIDE & STREETSIDE

- Use layout diagrams to determine the amount of space available.
- Choose from a variety of shelving units and modules that will best organize the tools and equipment you need to carry.
- Or, choose a Work Ready Upfit, complete with a trade specific, pre-designed interior and custom graphics package.

ZONE 5 ROOF

- What do you need to carry?
- Choose from LoadsRite, EZ-Load, Grip-Lock, and Utility racks.
- Add rack accessories including step ladder kits, ratchet straps, conduit carriers and more.

ZONE 6 VEHICLE GRAPHICS

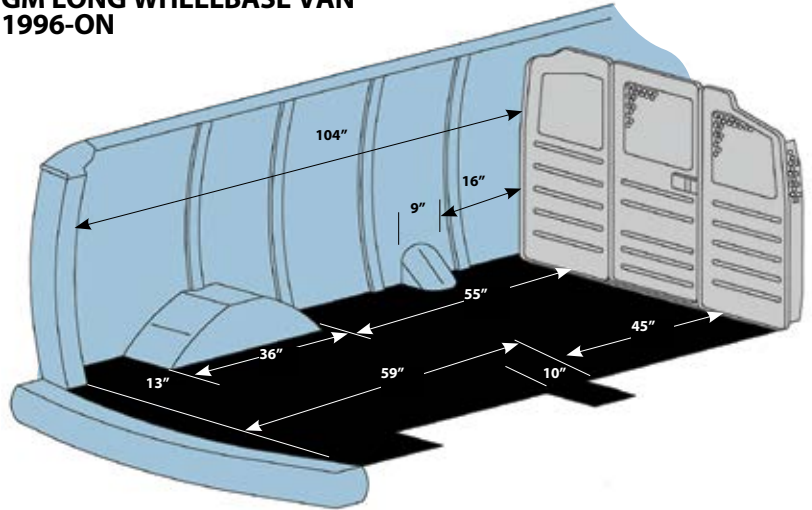
- Stand out in the crowd!
- Vehicle graphics are the most cost effective form of advertising!

ADDITIONAL STORAGE

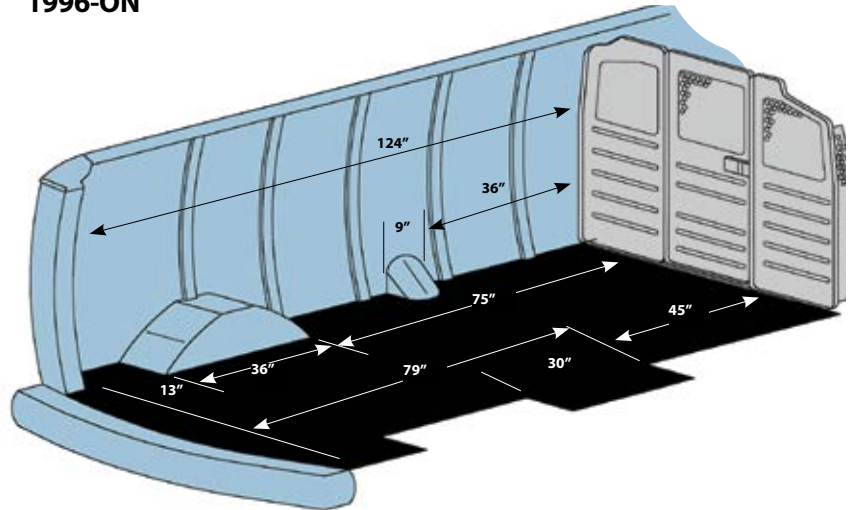
- Determine the space needed for specialty equipment.
- Add accessories to shelving and partition
- Hooks, drawers, files, screens, and more.

Need some help?
Contact your local distributor!
They can provide a wealth of information about utilizing the cargo space in your work van.
Find your local distributor online at adriansteel.com.

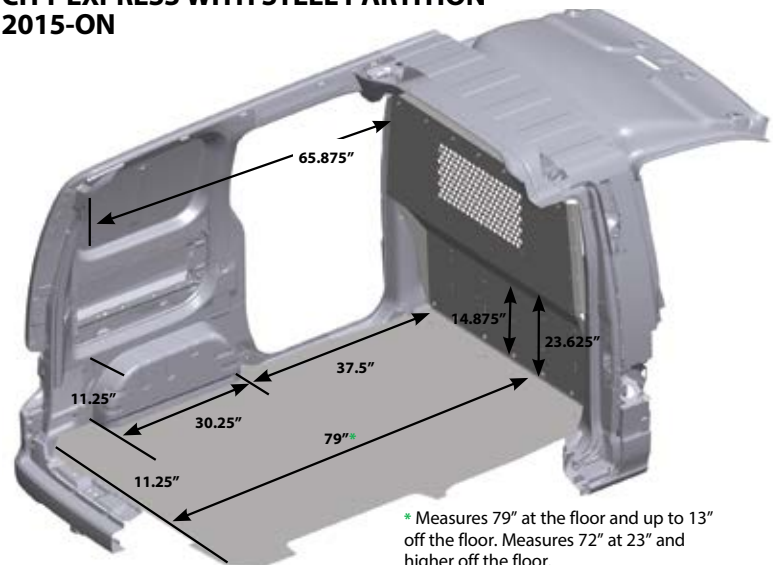
GM LONG WHEELBASE VAN 1996-ON



GM EXTENDED LONG WHEELBASE VAN 1996-ON



CITY EXPRESS WITH STEEL PARTITION 2015-ON



* Measures 79" at the rear and up to 13" off the floor. Measures 72" at 23" and higher off the floor.

All illustrations, photos and specifications in this publication are based on the latest product information available at the time of content approval.

The right is reserved to make changes at any time, without notice, in materials, specifications and models, and also to discontinue models.

Note: Dimensions for reference only. Measure your van or contact your distributor for your exact needs.



MOBILIZE YOUR BRAND WITH ADRIAN STEEL'S VEHICLE GRAPHICS PROGRAM.

Adrian Steel and Signature Graphics have partnered to be able to provide you with a complete, work ready van. Go on-line to create the look you want, then have your graphics and interior package installed all at the same time at your local Adrian Steel distributor. This saves time and gets your new van in service and working for you quicker.

NEW VAN, NEW LOOK

The key to commercial graphics is setting yourself apart from the competition. Effective use of color, direct messaging and simple brand identification turn your vehicle into a viable advertising tool.

WHEN CONSIDERING YOUR DESIGN, START WITH THE BASICS:

- Name and logo
- Phone number and website
- Services you offer
- Your essential message
- Pictures of your product



BRANDING

More than just your logo, your brand is the total package presented at every point of public contact.

Brands can provide customers with instant and powerful recognition of your business and the services or products that you offer. When you take your brand to the streets, you make an impression on every person you pass.

Completely redesign or just upgrade your image as part of your brand strategy to help grow your business. When it comes to graphics, sometimes less can mean more. While full wraps are an attractive option that we offer, a budget conscious small business owner can have a significant impact on their image without covering the entire vehicle.

IT'S EASY!

Step 1

User logs in and selects vehicle year, make, model, and options. The site is preloaded with most commercial vans and pickups.

Step 2

A blank vehicle will appear on the screen and you are ready to begin designing. The design tool allows users to personalize a professionally designed template, or create a new design from scratch.

Step 3

Once you have finished your new vehicle design you can instantly price the production and installation by clicking the estimate button. Print your quote to share with your local dealer at the time of your vehicle purchase and include the cost in your financing. Within 7-10 days, your vehicle will be ready to roll!



Start Now at www.commercialcurbappeal.com!

TO WRAP OR NOT TO WRAP?

Take a look at these examples designed and priced on CommercialCurbAppeal.com

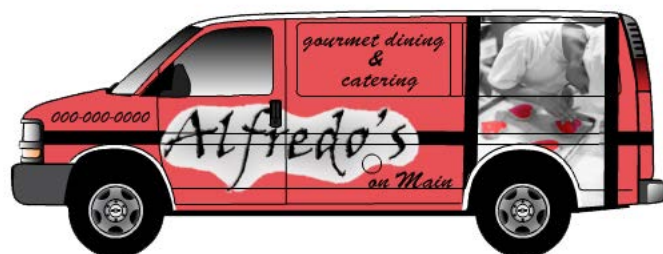
\$1800 Simple design on the side.
Logo on hood or rear door.



\$2200 More complex design on the side.
Logo on hood and/or rear door.



\$4000 A full wrap with a complex design covering all possible areas.



VINYL 101

CommercialCurbAppeal.com produces your graphics on commercial grade vinyls that are the benchmark of the fleet industry. Fit, finish, durability and removability are all critical when considering your investment so they look as good on day 1 as day 1000.

DIRECTV, Best Buy, TRANE, Geek Squad and Penske are all produced with the exact same films. Rest assured that the 3/36 warranty through your Adrian Steel Distributor includes the graphics.

Installation is made simple through your dealer or Adrian Steel distributor.

NEED MORE REASONS WHY?

CommercialCurbAppeal.com allows you to personalize your vehicle and be sure it positively represents your business.

By adding graphics to the upfitting process your vehicle will be in service faster, saving you time and money.

Graphics through CCA can often be added to your financing package, amortizing your new look over the life of your vehicle.

Graphics will help increase your vehicle visibility and build brand awareness in the community.

Comparatively, vehicle graphics are more affordable than most other advertising options.

BEING NOTICED IS EVERYTHING!

www.commercialcurbappeal.com

*Commercial Curb Appeal not available in Canada.

ADRIAN STEEL PARTITIONS KEEP CARGO WHERE IT BELONGS, IN THE CARGO AREA!

Partitions are sold as panel kits and wing kits. Please see application chart below to confirm the appropriate panel kit and wing kit for your vehicle. Partition panel kits and wing kits include assembly and installation fasteners for base van trim level. Higher trim levels may require modifying trim or partition. Wing kits are available in a standard position or an extended position for more leg room.



S1 Solid
S2 Perforated Top
Panels mount behind driver.



M1 Solid
M2 Perforated Top
Fixed center panels can be hinged as key-locking doors



C1 Solid
C2 Perforated top
Panels mount behind passenger seat.



Wing Kits
Available as standard setback or with extra 3" setback.

S-M-C SERIES PARTITIONS FOR EXPRESS & SAVANA VANS

- Choose from solid or perforated panels.
- Partition mounts behind the B-pillar allowing for maximum cab comfort.
- Center M panels can be fixed or hinged with a key-locking door. All hinged door partitions come standard with two 6" hinges, bulb seal and a slam latch. These features reduce vibration noise.
- Partitions feature pre-drilled holes for adding accessories easily, and larger pass-through holes for routing wiring.
- Stamped steel panels reduce product weight without sacrificing strength.

Note: Extended wing kits reduce the amount of cargo space. Please confirm the interior layout of the van package to confirm that the extended wing kit has adequate room needed for installation. 3" extended wings not compatible with GM Pro/Access vans.

MODEL	DESCRIPTION	WING KIT
FIXED CENTER PANEL		
S1M1C1FSV	Solid panels	WKC1FSVGM WKC1FSVGM3
S1M2C1FSV	Center panel perforated	WKC1FSVGM WKC1FSVGM3
S1M2C2FSV	Center and Curb panels perforated	WKC1FSVGM WKC1FSVGM3
S2M2C2FSV	All panels perforated	WKC2FSVGM WKC2FSVGM3
HINGED CENTER PANEL "DOOR"		
S1M1HC1FSV	Solid panels	WKC1FSVGM WKC1FSVGM3
S1M2HC1FSV	Center panel perforated	WKC1FSVGM WKC1FSVGM3
S1M2HC2FSV	Center and Curb panels perforated	WKC1FSVGM WKC1FSVGM3
S2M2HC2FSV	All panels perforated	WKC1FSVGM WKC1FSVGM3

See more partition images and accessories on-line at adriansteel.com.



X SERIES PARTITION

Get maximum side and rear view mirror visibility with X Series partitions. X Series partitions are designed with a large perforated upper panel, eliminating obstructions to driver side and rear views. Made from 16-gauge steel and finished with our Steel-Cote powder coat paint.

MODEL	DESCRIPTION	WING KIT
X-SERIES PARTITION		
X1FSV	fits Express/Savana FSV	WKX1FSVGM WKX1FSVGM3

STEEL AND WIRE PARTITION OPTIONS FOR THE CITY EXPRESS



**P2NV2S
STEEL PARTITION
FOR CITY EXPRESS**

- Features all steel panels to safeguard the cab area against moving or shifting cargo.
- Recessed design allows for maximum adjustability of front seats.
- Perforated window provides full visibility of your cargo area and rear windows.
- Steel header and full perimeter wings provide optimal security.
- Recessed bottom panel provides room for a 6 foot step ladder or other accessories.

Note: Wing kits are not needed.



**P2NV2FW
WIRE MESH PARTITION
FOR CITY EXPRESS**

- Provides maximum visibility while safeguarding your van cab area against moving, shifting cargo.
- Recessed design allows for maximum adjustability of your driver and passenger seats.
- Lightweight and economical, without sacrificing safety and security.

Partition Accessories

Express/Savana



TA1 Hook Bar 2" x 12" bar mounts to partition or shelving. Four welded hooks with 2" hanger opening.



PDK1 Hinged Door Kit converts M-Series fixed center panel into hinged door with keyed slam latch. Includes two 6" hinges, bulb seal and a slam latch that reduce vibration noise.



PA9 First Aid Box Tray secures included first aid box. Measures: 11"W, 4-1/2"H, 3-1/8"D



PA7 Triangle Reflector Kit Includes reflector kit with metal pocket holder, I.C.C. approved.



PA8 1-A: 10-BC Fire Extinguisher is a rechargeable, 2-1/2 lb. dry chemical extinguisher. Stops Class A, B and C fires. Complete with charge gauge and mounting bracket.



PA10 Practice Holder Organizes paperwork. Measures: 12"W, 7"H, 5"D.

TH30 or TH50 Refrigerant Tank Holder holds 30lb. or 50lb. tank to partition or other vertical surface.

Partition Plexiglass Cover Panels (not shown) install over the perforations of the partition to help with climate control in the cab.

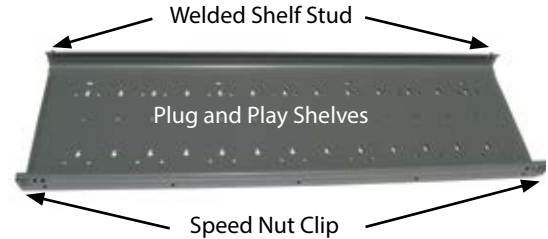
PA5-1: S panel, **PA5-2:** M panel, **PA5-6GMS:** C panel.

PA5-3GMS: fits X-Series partition



THE NEXT GENERATION OF CARGO MANAGEMENT SOLUTIONS

Tools, equipment and cargo come in all shapes and sizes and until now, there hasn't been a shelving unit that is **truly adjustable**. The ADseries is the first of it's kind where, with only a screwdriver, you can simply remove the front shelf bolts and move the shelf where you need it. Shelves can be adjusted in one inch increments and provide the most flexible shelving solution available.



TRULY ADJUSTABLE SHELVES

All you need is a phillips head screwdriver! The unique shelf design features rear shelf studs that lock the shelves in place and speed nut clips that allow you to attach bolt on easily! Simply remove two bolts from the speed nut clips at the front lip of the shelf, tilt the shelf upwards to disengage the rear studs, move the shelf to your desired location, insert the rear shelf studs, reattach the bolts and you're done!



ADAPTABLE INTERIOR

Everyone likes to set their work van up their own way. The ADseries allows you position the shelving where you need it. Exclusive to the ADseries, the unique rail system enables you to reposition the shelving along the rail, increasing the available space for trade specific equipment. All of this is done without removing bolts, plugging holes and redrilling the van! The 6" knock out of the stamped steel end panels provides a 48" floor space to accommodate 4'x 8' sheet goods (up to 22 sheets of 1/4" drywall or a combination of thicknesses).



ADD ACCESSORIES

Businesses change over time and your van interior should be able to change with your needs. Plug and Play shelves have prepunched holes that allow adding storage solutions easily! ADseries dividers simply snap in place, drawer units and door kits simply bolt into place. Many Adrian Steel accessories can be added to the ADseries shelving with the rail adapter kits and end panel brackets.

MODEL	SIZE	DESCRIPTION
AD28NV2	28"W x 46"H x 14"D	fits City Express
AD32FP	32"W x 46"H x 14"D	fits Express/Savana/City Express
AD44FP	44"W x 46"H x 14"D	fits Express/Savana
AD50FP	50"W x 46"H x 14"D	fits Express/Savana
RKFSVLWB	Rail Kit, LWB	fits Express/Savana
RKFSVXLWB	Rail Kit, XLWB	fits Express/Savana
RK67NV2-CS	Rail Kit-full curbside	fits City Express
RK67NV2-SS	Rail Kit-full streetside	fits City Express
RKNV2-CS	Rail Kit-curbside	fits City Express
RKNV2-SS	Rail Kit-streetside	fits City Express

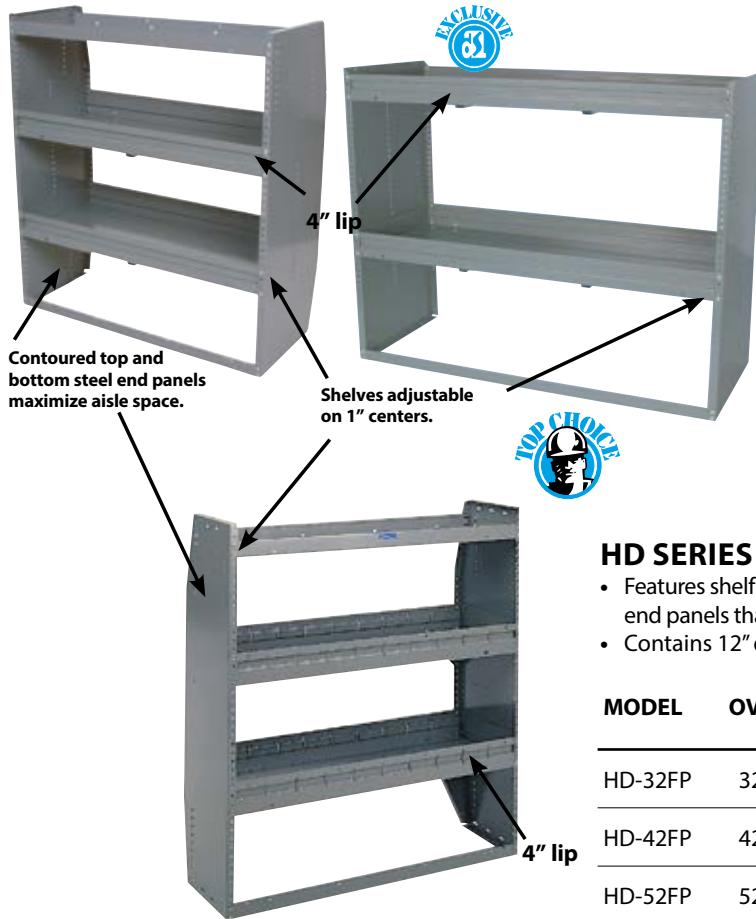
MODEL	SIZE/DESCRIPTION
DV14C1	Divider for ADseries shelf/Single
DV14C8	Divider for ADseries shelf/8 Pack
DK3008	8" High Door Kit/AD32FP
DK3010	10" High Door Kit/AD44FP
DK4208	8" High Door Kit/AD44FP
DK4210	10" High Door Kit/AD44FP
DK4808	8" High Door Kit/AD50FP
DK4810	10" High Door Kit/AD50FP
DK532	Door Kit/AD32FP
BRK14EPS	End Panel Bracket To Add on Accessories
RKA1	Rail Kit Adapter/See list at right
RKA3	Rail Kit Adapter3/See list at right
RKA4	Rail Kit Adapter4/See list at right
RKABRK1	Rail Kit Adapter/End Panel Bracket/See list
RKABRK2	Rail Kit Adapter/17A
RKAWTR	Rail Kit Adapter/Welded Tank Racks
RKA919	Rail Kit Adapter/#9, #19, #919 Drawer Units
35325-G	32" Long Shelf
35327-G	44" Long Shelf
35328-G	50" Long Shelf

- RKA1** – Rail Adapter Kit1
Use with: CB2, CB3, CB4 (uses 2)
- RKA3** – Rail Adapter Kit3
Use with: #1, #12, #2, #8, DC Units, 17A, CRH2, TA19, TA5
- RKA4** – Rail Adapter Kit4
Use with: CL1446D/R, #40, KDRH2, KD Shelving Units, #33, #3, #33W, JD Shelving
- BRK14EPS** – ADseries end panel accessory attachment bracket.
Use with: 17A, CB5, 43, TA19, TA20, WRH5, UH10/25/50, PA9, PA8, ACT3/4, PA11, AGSCH2, PA7, TH30, TH50, TA5
- RKABRK1** – Used with TA19, TA20, TA5

Note: Rails are not included with the shelf units.
Rail kits must be ordered separately.
Note: Shelves have the following weight ratings:
Shelves positioned with the shelf lip facing up have a rating of 100 lbs. per shelf evenly distributed.
Shelves positioned with the shelf lip facing down have a rating of 200 lbs. per shelf evenly distributed.

CONFIGURE SHELF SPACING TO YOUR SPECIFIC CARGO MANAGEMENT NEEDS.

Adrian Steel Adjustable Shelving is available in narrow, 10" units up through extra long, 60" units and are designed to best utilize the space within your van. Set shelf space to fit your particular needs. Shelf lips keep items from rolling off shelf while in transit. Locking Door Kits convert a shelf into an enclosed, locking cabinet.



JD SERIES JUMBO DEEP SHELVING

- Available in 18" and 24" depths.
 - Shelf gussets and floor rail provide extra strength.
 - 18" deep units contain one 14" and two 18" deep shelves.
 - 24" deep units have squared end panels and two shelves.
- See chart.

MODEL	OVERALL SIZE	OPEN SHELF SPACE
JD42FP	42"W x 46"H x 18"D	14.58 sq ft
JD52FP	52"W x 46"H x 18"D	18.56 sq ft
JD48FP	48"W x 48"H x 24"D	20.21 sq ft
JD60FP	60"W x 48"H x 24"D	20 sq ft

HD SERIES HEAVY DUTY SHELVING

- Features shelf gussets and full floor-rail that provide extra strength, and contoured end panels that maximize aisle space.
- Contains 12" deep top tray with 2" lip and two 14" deep shelves with 4" lip.

MODEL	OVERALL SIZE	DOOR POSITION	DOOR KIT MODEL	OPEN SHELF SPACE
HD-32FP	32"W x 46"H x 14"D	Shelf	DK532*	8.89 sq ft
		Floor	DK532A	
HD-42FP	42"W x 46"H x 14"D	Shelf	DK542*	11.67 sq ft
		Floor	DK544	
HD-52FP	52"W x 46"H x 14"D	Shelf	DK552*	14.44 sq ft
		Floor	DK552A	

* Back panel included with door kit



KD SHELVING

- KD shelf racks feature shelves that are fully adjustable on 1" centers.
- #3 and #33 feature solid end and back panels and four adjustable shelves.
- The #33W and 33WB have welded, contoured end panels and contain two welded shelves and three adjustable shelves.
- The 33WB includes four removable plastic bins with dividers.

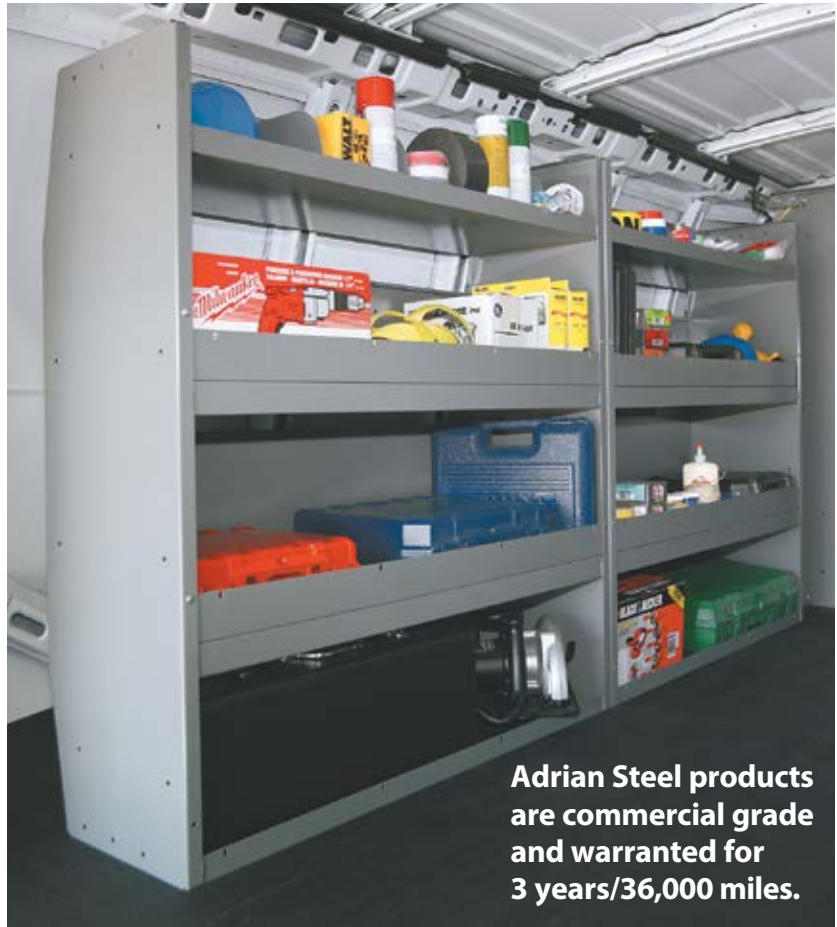
MODEL	OVERALL SIZE	SHELF LIP	OPEN SHELF SPACE
3	18"W x 46"H x 12"D	2"	6 sq ft
33	12"W x 46"H x 12"D	1"	4 sq ft
33W	10"W x 46"H x 14"D	1"	4.71 sq ft
33WB	10"W x 46"H x 14"D	1"	N/A

ADRIAN'S 44 SERIES OF WELDED SHELVING IS SOLID, STRONG AND FUNCTIONAL.

The 44 Series features a top shelf that has been lowered to be more functional allowing you to divide the shelves or add our popular blue bins. The mid and lower shelves are more functional with the ability to add door kits, DC drawer units, Lock and Latch drawer units, dividers and blue bins. The best selling shelf unit just got better.

Features and Benefits

- All shelves welded to end panels – greater weight capacity and reduces cargo noise.
- Contoured end panels provide a flush fit to van wall and maximizes aisle space.
- Welded back panel for containment and reinforcement.
- Shelving can be installed in any position within the van.
- All shelving is finished with Steel Cote™ – a powder coat, diamond-hard finish that resists scratching and chipping better than standard paint finishes.
- Three sizes available – 32", 42" and 50" wide models.



Adrian Steel products are commercial grade and warranted for 3 years/36,000 miles.

HEAVY DUTY UTILITY SHELVES

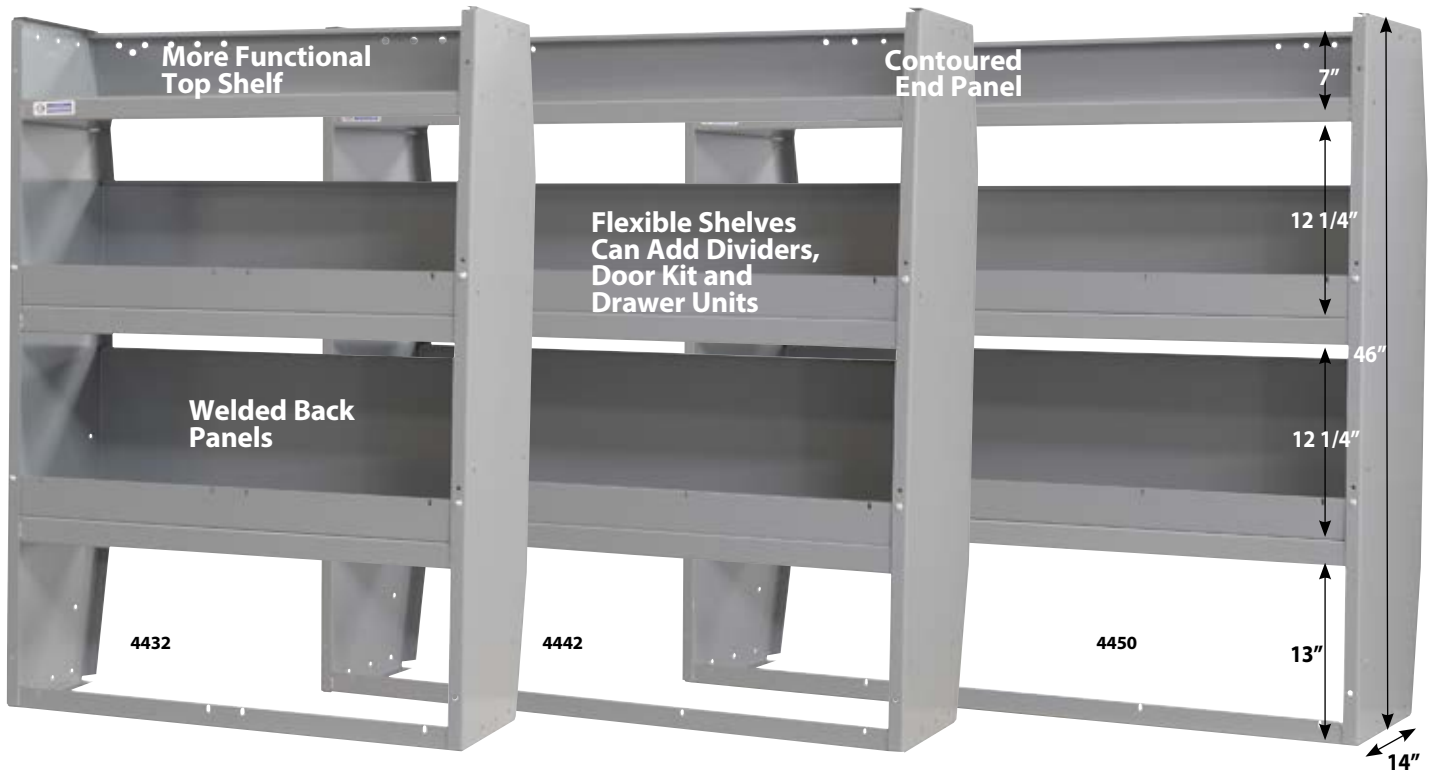
- Constructed from heavier gauge steel.
- Welded dividers maximize carrying capacity.
- Divided top tray is 3" deep for increased rigidity.



No. 18 Heavy Duty Utility Shelf
Measures 36"W x 22"H x 12"D



NOW AVAILABLE IN 32", 42" & 50" LENGTHS



MODEL	DESCRIPTION
4432	Welded Cabinet - 32"W x 46"H x 14"D
4442	Welded Cabinet - 42"W x 46"H x 14"D
4450	Welded Cabinet - 50"W x 46"H x 14"D



Contoured top and bottom steel end panels maximize aisle space.

ACCESSORIES FOR WELDED SHELVING

Upgrade the 44 Series with Dividers, DC Drawer Units, Lock & Latch drawer units, Door Kits and our popular #28 Blue Bins!



Plug & Play units – add accessories in minutes!



DRAWER COMPONENT SHELVES

- Create customized shelving modules with drawer component shelves.
- Built to bolt onto the DC6 and DC12, these shelves can provide additional storage space.
- The shelves are available in 18", 24" and 36" wide configurations.
- Feature a 1" shelf lip.

MODEL	DESCRIPTION	SHELF SIZE
SF11218DC	18" wide DC Shelf	12"D x 18"W
SF11224DC	24" wide DC Shelf	12"D x 24"W
SF11236DC	36" wide DC Shelf	12"D x 36"W

ACCESSORIES

MODEL	DESCRIPTION
DV44U1	Top shelf divider (single)
DV44U4	Top shelf divider kit (4 pack)
DV44U	Top shelf divider kit (8 pack)
DV44L1	Lower shelf divider (single)
DV44L4	Lower shelf divider (4 pack)
DK532	Door kit for 44 series shelving, 4432
DK544	Door kit for 44 series shelving, 4442
DK550	Door kit for 44 series shelving, 4450
28	Plastic Blue Bin

SPECIFIC JOBS DEMAND SPECIFIC STORAGE SOLUTIONS.

Cabinet and Drawer Modules provide secure storage for large and small tools and parts. The modular design allows you to get what you need now and the ability to add more when you need it. Whatever the job demands, Adrian has the storage solutions to transport your gear safely and securely.



TANK CABINETS

- Provide vented storage for Propane, Mapp gas or CO2 tanks.
- Cabinets feature a full door gasket with two snap latches for positive door closure.
- Interior cabinet cradle and retaining straps (foam yokes for TA19) secure tanks and prevent movement.
- Floor vent and tubing are included for exhausting fumes.
- Propane cabinets store 20, 30 or 40 lb. tanks.
- Mapp Gas Cabinets store 6 1/2" diameter tanks.
- CO2 Tank Cabinets store 20 lb. cylinders.

MODEL	DESCRIPTION	CABINET SIZE
TA18	Propane Cabinet	14-3/4"W x 36"H x 13"D
TA19	CO2 Tank Cabinet	13"W x 32"H x 12-1/2"D
TA20	Mapp Gas Cabinet	14"W x 26"H x 8"D

SHELF CABINETS

- Available in 12" and 18" front to rear lengths
- Can be used free standing or stacked with our lockable drawer units.
- Feature locking recessed tee-handles for secure storage and receive a durable gray powder coat finish.
- Cabinets feature an open side and can be combined for side-by-side use holding items up to 35" long.
- Optional end panel can be added to close off side when required.
- Include an adjustable shelf that can be removed
- Cabinets provide a solid surface to stack modular drawers, cabinets and bins.



Folding T handles don't stick out into aisles.

MODEL	DESCRIPTION	CABINET SIZE
1	Shelf Cabinet	18"W x 22"H x 18"L
12	Shelf Cabinet Open Side	18"W x 22"H x 12"L
1A	Optional Shelf	No. 1
12A	Optional End Panel	No.12

40 WHEEL WELL COVER CABINET

- Wheel well cover cabinets are designed with an open back and bottom.
- Serves as an enclosure for rear wheel wells.
- Provides a solid surface to stack modular drawers, cabinets and bins.
- Cabinets come with locking recessed tee-handles for secure storage.
- Finished with a durable gray powder coat finish.
- Cabinet size 42"W x 12.5"H x 14"L



CABINET LOCKERS

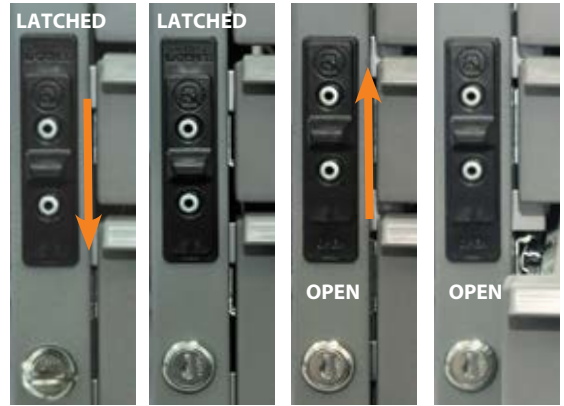
- Full-door Lockers feature a 46" high storage space with 3 removable shelves.
- Short-door Lockers feature a 33" high storage area and with 2 removable shelves.
- Locker doors are reversible for flexibility and feature locked recessed T-handles for security.
- Cabinet Lockers taper from 14" to 12" from front to back in depth at top and bottom to maximize aisle space.

MODEL	DESCRIPTION	CABINET SIZE
CL1446R	Cabinet Locker Full Door	18"W x 46"H x 14"D
CL1446D	Cabinet Locker Short Door	18"W x 46"H x 14"D





2.5" deep drawers come with ABS divided and removable trays perfect for small parts.



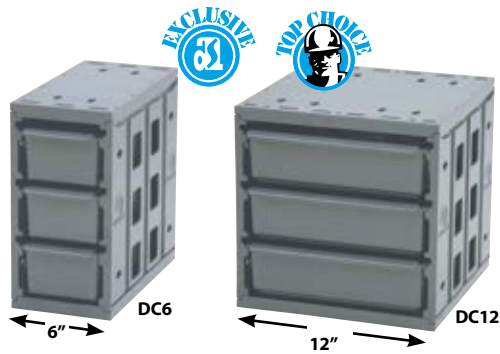
Latched & Locked **Latched & Unlocked** **Drawers Unlatched** **Drawers Open**

DRAWER UNITS – LOCK 'N LATCH SYSTEM

- Our exclusive Lock 'n Latch system provides a choice of drawers open, drawers retained or drawers locked position.
- Drawers are made of an engineered composite material for durability with heavy-duty drawer glides for support and smoother drawer operation.
- The new drawer glides significantly increase the ease of use when opening and closing the drawer units. They all but eliminate the rattle noise of the drawers when the driving the vehicle.
- Drawers and glides can be repositioned within cabinet for increased flexibility.
- Divide 5" deep drawers into compartments using optional metal "egg crate" dividers.

MODEL	DESCRIPTION	DRAWER SIZE (QTY.)
19	2 Drawer Medium	16"W x 5"D x 11-1/2"L (2)
919	3 Drawer Combo	16"W x 2-1/2"D x 11-1/2"L (2) 16"W x 5"D x 11-1/2"L (1)
9	4 Drawer Shallow	16"W x 2-1/2"D x 11-1/2"L (4)
27	Divider Kit	19 or 919 Drawer (1)

Steel outer cabinet measures 18"W x 12"H x 12"L.



DRAWER COMPONENTS

- Organize small parts with our flexible and rugged composite Drawer Components.
- Drawer retention stops prevent drawers from opening while the vehicle is in transit.
- Made of a hi-impact polymer for a quiet operation.
- Each drawer comes with 2 dividers and 7 divider slots.
- Interlocking feature allows up to 2 units stacked vertically or multiple units horizontally.
- Choose from Adrian Steel's pre-configured drawer systems or create your own drawer system from the base models.

MODEL	DESCRIPTION	OVERALL SIZE
DC6	Base 3 drawer narrow model	6"W x 12"H x 12"D
DC12	Base 3 drawer wide model	12"W x 12"H x 12"D
DS06212V	Drawer System (2) DC12's	12"W x 24"H x 12"D
DS36012H	Drawer System (3) DC6's	18"W x 12"H x 12"D
DS46012	Drawer System (4) DC6's	12"W x 24"H x 12"D

5lb. weight capacity per drawer.



DRAWER UNITS – LOCKING HINGE AND HASP

- Drawers are welded and have reinforced drawer slides for strength.
- Can be locked with a padlock (not included) for security.
- Divide drawers with optional metal "egg crate" dividers.

MODEL	DESCRIPTION	DRAWER SIZE (QTY.)
8	3 Drawer Medium	16"W x 5"D x 11-1/2"L (3)
2	4 Drawer Medium	16"W x 5"D x 17-1/2"L (4)
25	Divider Kit	No. 2 Drawer (1)
26	Divider Kit	No. 8 Drawer (1)

TOTE TRAYS AND CASES

- Take small parts and tools right to the job site with removable tote trays and cases.
- Totes are available in both steel tray and poly case designs.
- Steel tote trays feature fold-down carry handles and four large storage compartments with adjustable dividers.
- Poly tote cases offer a see-through lid with latches to prevent spilling, four large compartments and twelve adjustable dividers.
- Trays and cases store in a 19.75"W x 20-1/8"H x 13-3/8"L modular rack that can be stacked or floor mounted.



MODEL	DESCRIPTION	TOTE STYLE (QTY.)
SPT-4	Combo Totes and Rack	Steel Trays (2) Poly Cases (2)
SPT-4P	Poly Totes and Rack	Poly Cases (4)
SPT-4S	Steel Totes and Rack	Steel Trays (4)
SPT-S	Additional Steel Tray	18.5"W x 3"D x 12.5"L
SPT-P	Additional Poly Tote	18.5"W x 3"D x 12.5"L

STORAGE MODULES ARE USEFUL COMBINATIONS OF SHELVING AND STORAGE.

When you need a variety of parts and tools to do the job, it is essential that you have them organized and easily accessible. Offering a variety of storage and workbench combinations, Adrian Steel Modules are the key to efficiency when working out of your van.



**MD507
DRAWER RACK
MODULE**

MD507 INCLUDES:

9	Four Drawer Shallow
18	Utility Shelf
19	Two Drawer Medium
40	Wheelwell Cover Cabinet
43	Three Shelf Catalog File

42"W x 46.5"H x 14"D



**MD506
DRAWER CABINET
MODULE**

MD506 INCLUDES:

9	Four Drawer Shallow
12	Shelf Cabinet (2)
19	Two Drawer Medium
40	Wheelwell Cover Cabinet
43	Three Shelf Catalog File

42"W x 46.5"H x 14"D

**MD534
DRAWER RACK
BIN MODULE**

MD534 INCLUDES:

9	Four Drawer Shallow
12	Shelf Cabinet (2)
19	Two Drawer Medium
33WB	Shelf Rack w/Bins
40	Wheelwell Cover Cabinet
43	Three Shelf Catalog File

52"W x 46.5"H x 14"D



**MD508
WORKBENCH MODULE**

MD508 INCLUDES:

9	Four Drawer Shallow
19	Two Drawer Medium
40	Wheelwell Cover Cabinet
54	Workbench

42"W x 26"H x 14/18"D

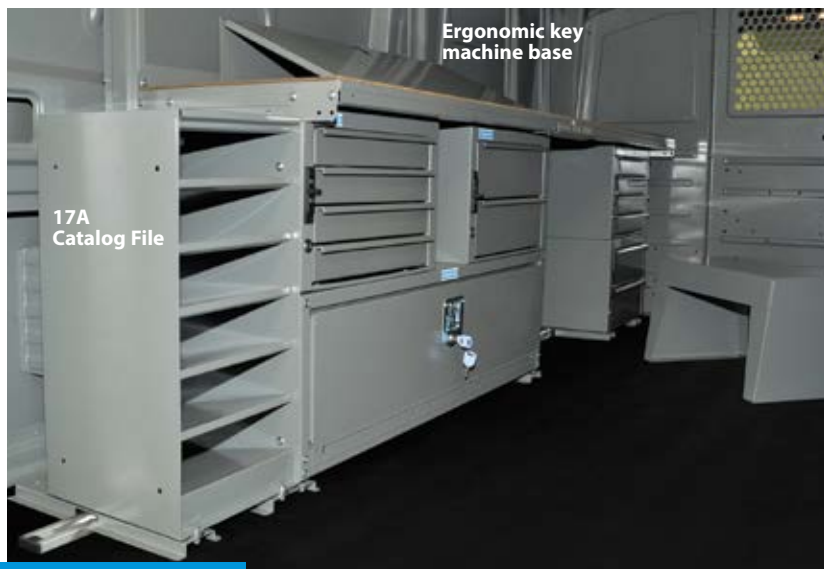


**MD509
WORKBENCH MODULE**

MD509 INCLUDES:

8	Three Drawer Medium (2)
40	Wheelwell Cover Cabinet
54	Workbench
CB2	Two Book File

42"W x 31"H x 14/18"D



**WORKBENCH MODULE
FOR LOW, MEDIUM & HIGH ROOF**

The MD608 Workbench Module features 84" of work top surface perfect for any mobile workshop. Shown with optional 17A Catalog File and floor Rail Kit. See package 5274TL.

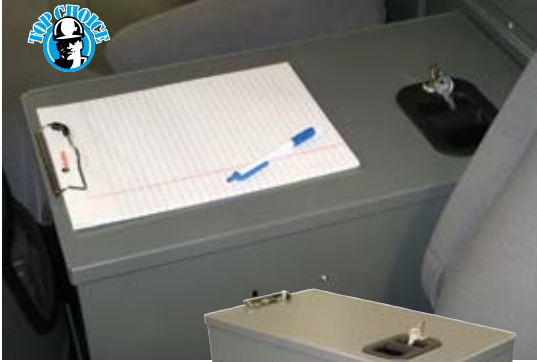
MD608 INCLUDES:

KMB36	36" Key Machine Base
54	Workbench (2)
9	Four Drawer Shallow (2)
19	Two Drawer Medium (2)
40	Wheelwell Cover Cabinet
14	Step Stool

Storage Modules are designed to fit over wheelwells of GM full size vans.

Visit AdrianSteel.com to see more Storage Modules.

KEEP WORK ORDERS AND INVOICES ORGANIZED AND SECURE WITH ADRIAN'S DATA AND STORAGE FILES.



Driver Data Files

- Designed to mount between the front seats.
- Rugged steel construction with a hinged worktop and key locking paddle handle.
- Convenient lid mounted clip holds papers in place on the writing surface.
- Includes built-in rails for hanging standard and legal size file folders.
- Data Files mount securely to the vehicle floor, and can be removed for service.



CH1 Optional Cup Holder
Fits DDF12 and DDF7

DDF12 Driver Data File
12" W, 18" H, 22" D
Fits Full-Size Vans



DDF7 Driver Data File
7" W, 18" H, 22" D
Fits Full-Size Vans

Aluminum Lock Box

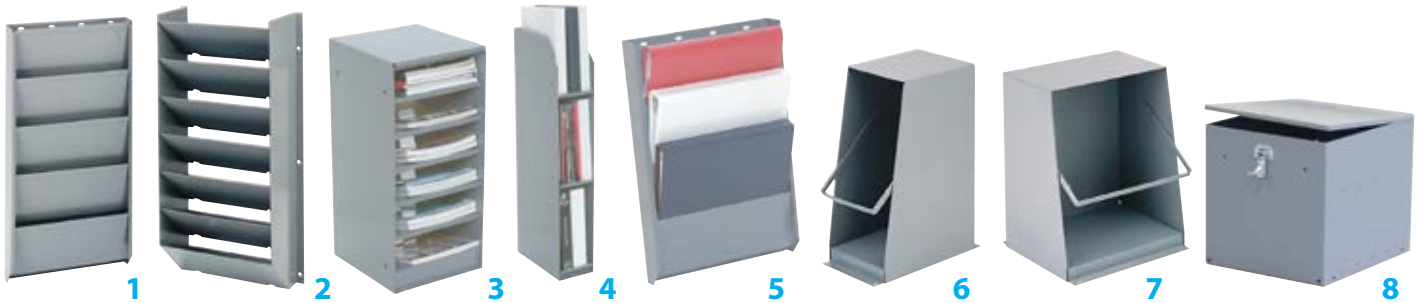
- Stores valuable tools and paperwork.
- Gas shock safely opens and closes the large lid.
- The large lock will accommodate a padlock or hockey puck style lock (not included.)
- Designed to mount on the van floor facing out the side or rear doors.
- Aluminum construction with powder coat black paint.



LKB1 Aluminum Lock Box
20" W, 14.5" H, 25" D



Literature Files



1: CB5 Five Slot Literature Holder Mount on partition or other vertical surface. 2-1/2" deep pockets. Overall size: 12"W, 24"H, 2-1/2"D.

2: CB7 Seven Slot Literature Holder Mount on partition or other vertical surface. 6-3/4" deep pockets. Overall size: 14-3/4"W, 28-7/8"H, 7"D.

3: 17A Six Shelf Catalog File Designed for catalogs but also serves to store a variety of materials between the 3" shelf spacings. Overall size: 11"W, 24"H, 12"D.

4: 43 Three Shelf Catalog File Fits in narrow spaces. It has three tilted shelves. Perfect for binders and catalogs. Overall size: 6" W, 34" H, 12" D.

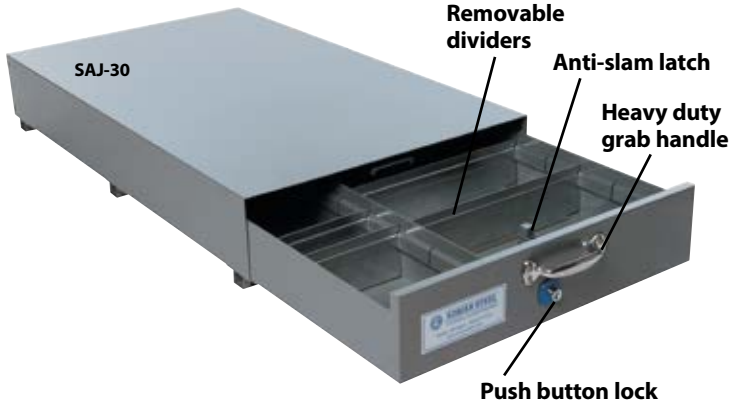
5: BH4 Four Slot Binder Holder Designed to mount on partition or almost any vertical surface. Excellent for binders. Each pocket is 2 1/2" deep. Overall size: 12-3/4" W, 19-1/2" H, 2-1/2" D.

6: CB2 Two Book File Mounts on the floor between front seats and partition. Holds folders 12"H x 10-1/2"D. Overall size: 6"W, 14"H, 12"D.

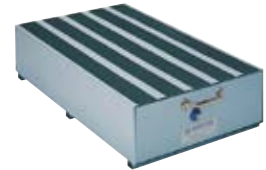
7: CB3 Three Book File Mounts on cabinet tops or on the floor. Multiple units can be flush-mounted. Holds folders 12"H x 10-1/2"D. Overall size: 10-3/4"W, 14"H, 12"D.

8: CB4 Utility Storage Box Stores a variety of printed material. Also suitable for keeping tools, safety glasses, gloves and other items. Hinged lid. Overall size: 12"W, 12"H, 14"D.

ADRIAN'S STOW-ALL IS THE FINEST FLOOR STORAGE UNIT YOU CAN BUY.



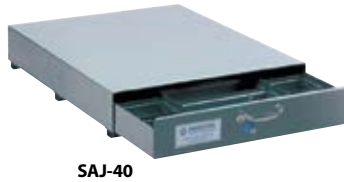
- 14 Gauge steel outer cabinets are constructed with top channel cross support members for strength and rigidity.
- Drawers are constructed with double sidewalls to prevent bowing and to accommodate items up to 48" in length.
- The anti-slam latch stops drawers from completely closing without positive latch activation.
- Heavy-duty grab handle and push button lock allows for comfortable, one-handed drawer operation.
- Durable powder coat finish will provide years of rugged service.
- Easy glide drawers with full width recessed conveyor roller at front and hardened steel roller bearings at rear.
- Install at rear or side doors, and units can be stacked.



STOW-ALL DEEP SERIES

MODEL	DESCRIPTION	CABINET SIZE	DRAWER SIZE	TRACTION KIT	DIVIDER (QTY.)
SA-10	Single Wide Deep	10"W x 12"H x 51-1/2"D	9-5/8"W x 8-1/2"H x 48-1/2"D	TK10	DV9(5)
SA-20	Double Wide Deep	20"W x 12"H x 51-1/2"D	19-5/8"W x 8-1/2"H x 48-1/2"D	TK20	DV19(5)
SA-40	Full Wide Deep	40"W x 12"H x 51-1/2"D	9-5/8"W x 8-1/2"H x 48-1/2"D (2) 19-5/8"W x 8-1/2"H x 48-1/2"D	TK40	DV9(10) DV19(5)

Traction Kits are available to provide a positive friction surface for better footing. Traction Kits are 4" wide, self-adhesive strips.



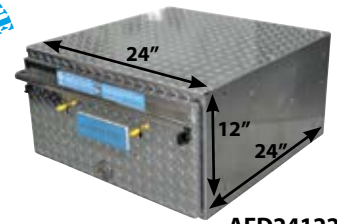
Additional Dividers are available and are sold individually.

STOW-ALL SHALLOW SERIES Stow-All quality in a lower profile

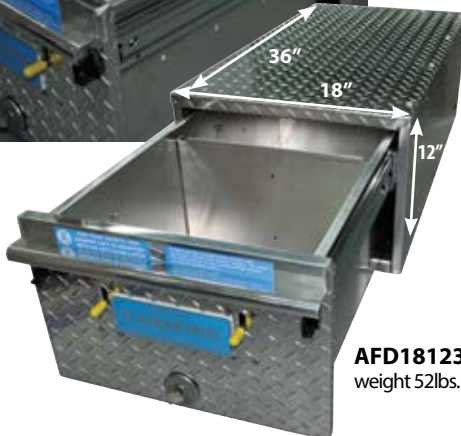
MODEL	DESCRIPTION	CABINET SIZE	DRAWER SIZE	TRACTION KIT	DIVIDER (QTY.)
SAJ-10	Single Wide Shallow	10"W x 8-1/2"H x 51-1/2"D	9-5/8"W x 5-1/4"H x 48-1/2"D	TK10	DVJ9(5)
SAJ-20	Double Wide Shallow	20"W x 8-1/2"H x 51-1/2"D	19-5/8"W x 5-1/4"H x 48-1/2"D	TK20	DVJ19(5)
SAJ-30	Triple Wide Shallow	30"W x 8-1/2"H x 51-1/2"D	9-5/8"W x 5-1/4"H x 48-1/2"D 19-5/8"W x 5-1/4"H x 48-1/2"D	TK30	DVJ9(5)
SAJ-40	Full Wide Shallow	40"W x 8-1/2"H x 51-1/2"D	9-5/8"W x 5-1/4"H x 48-1/2"D (2)	TK40	DVJ9(10)

ALUMINUM FLOOR DRAWERS

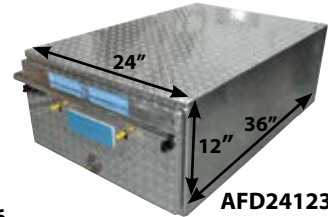
- Adrian Steel exclusive Anti-Slam latch keeps drawer from closing without positive latch activation. The only aluminum drawer in the industry with this feature!
- An automotive grade lock keeps expensive cargo secure and the adjustable divider helps keep contents segmented.
- The integral latch keeps the drawer open when you are on an incline and closed when you're done!
- Heavy duty grab handles and ball bearing slides allow the drawer to open and close with ease.
- Can be stacked to utilize large cubic storage areas.
- 24" deep units have a weight capacity of 350 lbs. and the 36" deep have a 325 lb. weight capacity.



AFD241224
weight 46lbs.



AFD181236
weight 52lbs.



AFD241236
weight 60lbs.

ADRIAN'S BLUE BIN SYSTEM IS PERFECT FOR VISUAL INVENTORY MANAGEMENT.

- 6" and 12" bins maximize the ADseries shelf space.
- The innovative rail system locks the bins in place on the shelf.
- The bins can nest on top of each other when at the job site or in the warehouse getting filled to go.
- Add a label to the front so you can find parts quickly
- Each bin can accommodate one optional divider.

Order our predefined bin systems or create your own configuration of bins. Please note that the bins and the rail are a system. To obtain all the features listed above, both must be ordered.



SBIN120614



SBIN060614



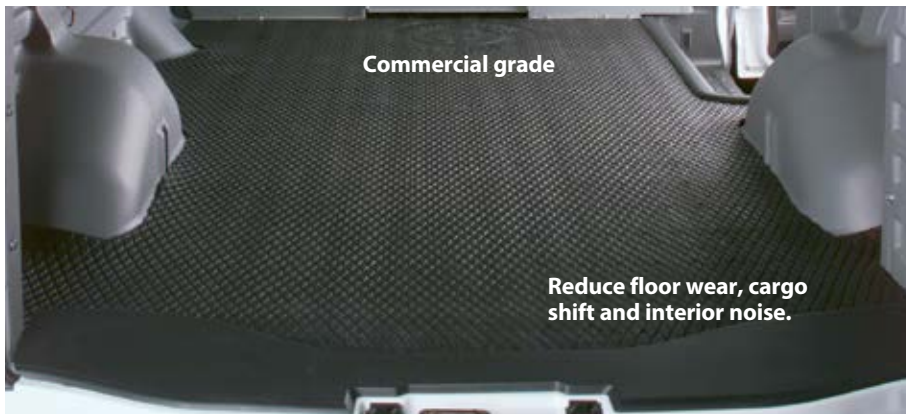
BR36212 Bin System on an AD44FP ADseries shelf unit.



Bins lock into place along the rail for secure transport.

MODEL	DESCRIPTION
SBIN060614	6" Blue Bin
SBIN120614	12" Blue Bin
SBINDIV	Divider
BR36212	Bin System: 3-6" & 2-12" bins w/rail
BR76012	Bin System: 7-6" bins with rail
SRAILAD26	26" Retention rail
SRAILAD32	23" Retention rail
SRAILAD44	44" Retention rail
SRAILAD50	50" Retention rail

PROTECT YOUR VAN AND CARGO WITH ADRIAN STEEL FLOOR MATS.



Commercial grade

Reduce floor wear, cargo shift and interior noise.

Floor Mats are die-cut for wheelwells and meet flammability test MVSS 302. Made of 3/16" rubber, diamond corrugated pattern. Side stepwell and seat pedestals require some trimming.

- 88-2 GM Full Size LWB Vans**
- 88-9 GM Full Size XLWB Vans**

SAFELY TRANSPORT REFRIGERANT TANKS IN AN ADRIAN STEEL TANK RACK.



Vertically carry 30-lb. and 50-lb. refrigerant tanks securely in your van. Tank Racks can be installed for easy access from the side or rear van doors. Racks feature 14-gauge tubular steel frames welded for strength with sloped cradles and nylon straps. The optional **WTRTRAY** provides a storage area mounted on top of the welded tank racks.* The tray can be mounted to any size tubular tank rack.

MODEL	DESCRIPTION
WTR130250	(1) 30 lb & (2) 50 lb tanks
WTR230150	(2) 30 lb & (1) 50 lb tanks
WTR330	(3) 30 lb tanks
WTR350	(3) 50 lb tanks
WTR430	(4) 30 lb tanks
WTRTRAY	Top Tray



*Please confirm the location of the tank rack and tray, some interior locations will not accommodate the tray due to the contour of the vehicle.



1



2



3



4



5

1: DST21 Door Storage Tray offers convenient access to parts and tools.
Overall size: 20" W, 4" D, 8" H

2: Aerosol Can Tray secure cans for easy access.

ACT3 - 3 Can Tray Overall size: 11-3/4" W, 4" D, 6-3/4" H

ACT4 - 4 Can Tray Overall size: 15-7/16" W, 4" D, 6-3/4" H

3: 14 Step Stool has a wide base and is 12" high. Stool can be used with a workbench or as an auxiliary step. Top measures 10" x 20" One size.

4: TA2 Hard Hat Holder secures hat to partition or shelving.

5: VMA36 Vise Mount Assembly is floor mounted and telescopes out beyond side or rear cargo doors when fully opened. Measures 36" closed and 60" open.

6: Touch-Up Paint in spray cans match Steel-Cote™ finish. Three colors:

STP12G - Gray **STP12W** - White **STP12B** - Black

7: Door Tray comes with two dividers and has optional lid for containment.

DT21 - Door Tray Overall size: 18" W, 4" D, 4" H

DTL21 - Door Tray Lid for DT21 only

DTWL21 - Door Tray with Lid Overall size: 20" W, 4" D, 4" H

7: Hooks organize a variety of cargo in easy-to-access locations.

UH10 - 1" hook

UH25 - 2.5" hook

UH50 - 5" hook

TA1 - Four hook bar

9: Parts Tray features a 2" deep shelf lip. Can be mounted to cabinet and drawer modules for added top storage.

4A - Parts Tray Overall size: 36" W, 12" D, 2" H

4B - Parts Tray Overall size: 18" W, 12" D, 2" H



6



Storage for small parts 7



8



9

REEL HOLDERS



1



2



3



4

1: CRH2 Cable Reel Holder features a durable frame, two steel shafts that holds up to a 15-1/2" diameter reel by 14" wide. Overall size: 19-1/8" W, 16" D, 44-7/8" H

2: KDRH2 Cable Reel Holder holds large spools up to 16" wide and 18" in diameter. Spools nest on conveyor rollers. Includes tie-down chains with neoprene covers. Overall size: 18" W, 46" H, 18" D

3: WRH5 Wire Reel Holder Five removable bars hold wire spools up to 6" in diameter. Reel Holder mounts to shelf ends or any vertical surface. Overall size: 12" W, 25" H, 4" D

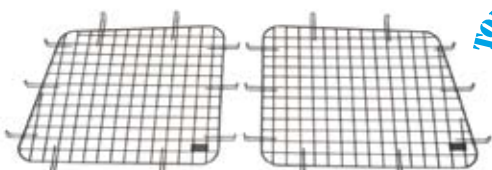
4: End Panel Reel Holder Bar mounts between ADseries shelf end panels for easy access to spools of cable and wire.


KDRH1426 - fits 26" shelf

KDRH1432 - fits 32" shelf

KDRH1444 - fits 44" shelf

KDRH1450 - fits 50" shelf





Wire Window Screens add security to cargo area windows.

60-25 & 60-26 GM Full Size Van Curb Sliding Door
60-21 & 60-22 GM Full Size Van Curb Hinged Door
60-23 & 60-24 GM Full Size Van Rear Hinged Door
60-NV2 City Express Rear Door Kit
60-120 City Express Streetside Rear Door
60-121 City Express Curbside Rear Door

LOADING LADDERS JUST GOT DOWN RIGHT EASY.

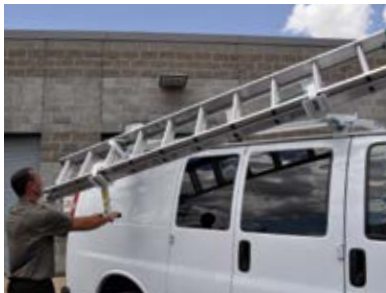
Adrian's LOADSRITE Ladder Racks easily raise and lower to eliminate the need to climb, stretch or reach for your ladder on top or your van. The unique design of the LOADSRITE presents the ladder in a diagonal position bringing it to a comfortable working height in the right way. LOADSRITE, the right way to load and unload ladders.



1. Easy Reach Handle



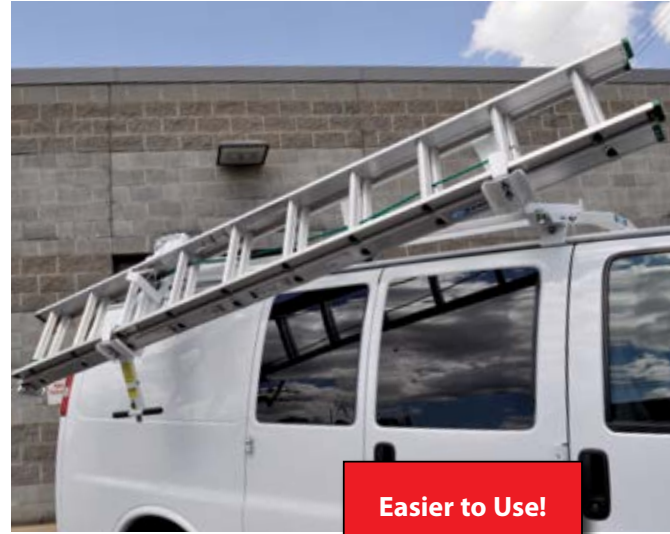
2. Glide-Out Bed Platform



3. Hydraulic Load Assist



4. Ladder Pivot Pad



**Easier to Use!
Lower Handle!
Less Adjusting!**

FEATURES & BENEFITS

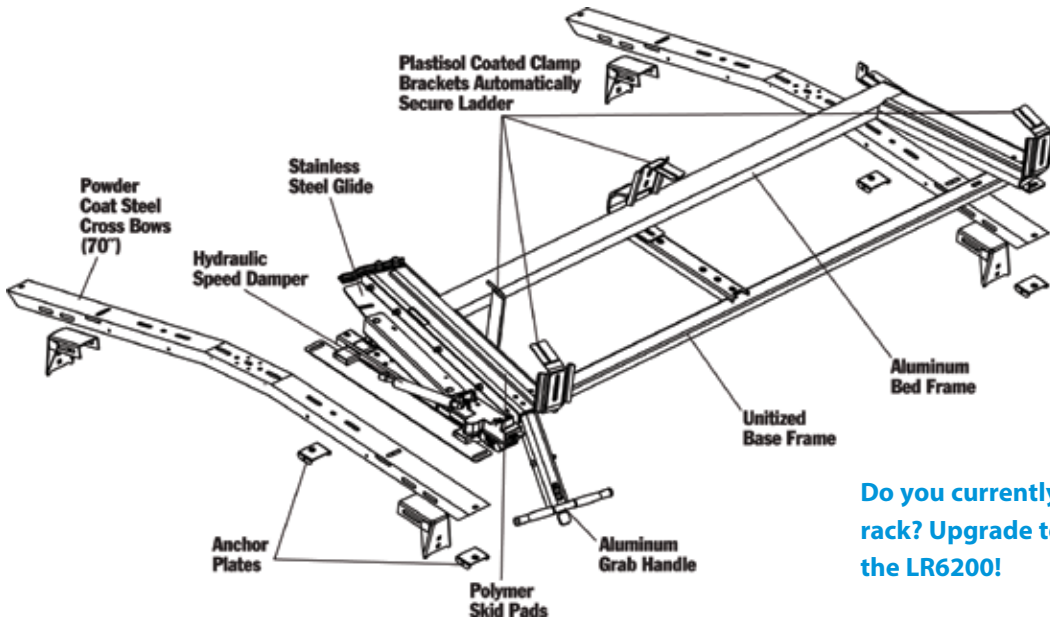
- Aluminum bed frame, cast aluminum grab handle, stainless steel latch and all stainless steel fasteners.
- Allows side and rear access while in the up or down position.
- Ladders can be padlocked for security.
- Hydraulic speed damper gently lowers ladder bed.
- Steel-Cote™ diamond-hard powder coat finish-for quality.
- Easy operation from the side of the vehicle.
- There are no straps to deal with, clamping of ladder is automatic.
- Rear bed lowers to present ladder at a convenient position.
- The Loads Rite cross supports measure 84" front to back and 70" side to side.

Note: Loadsrите is not compatible with GM Pro/Access Van.

Note: Carries 7 to 36 foot extension ladders and 7 to 8 foot step ladders.
Carry 6'-12' step ladders with optional step ladder kit LRSLK612.

MODEL	DESCRIPTION
EXPRESS/SAVANA	
LR6100WCF or WSF*	Single Loadsrите Ladder Rack
LR6200WCF or WSF*	Single Loadsrите Add-on Kit for Grip-Lock Racks
LR6300WF	Double Loadsrите Ladder Rack
LR6400WCF or WSF*	Combo Loadsrите Ladder Rack
LRSLK612	6'-12' Step Ladder Kit

*Note: Loadsrите is ordered preconfigured for the street-side or curbside.



**LOADSRITE
KEEPS
LOADING AND
UNLOADING
FROM BEING
A PAIN IN THE
BACK.**

Do you currently have a Grip Lock ladder rack? Upgrade to the LOADSRITE easily with the LR6200!



Add padlock for security

Adjustable ladder stops securely grip ladder rungs.

SHOWN:
61-1 Grip Lock ladder rack with LR6200WSF LoadsRite ladder rack add-on kit.

SECURELY TRANSPORT YOUR LADDERS WITH A GRIP-LOCK RACK.

Adrian's Grip-Lock racks protect the sides and roof of your van during loading and unloading ladders. All Grip-Lock racks feature a lockable, gripping mechanism which firmly secures one or two ladders to the top of the van. Racks easily adjust for ladders of different sizes.

FEATURES & BENEFITS

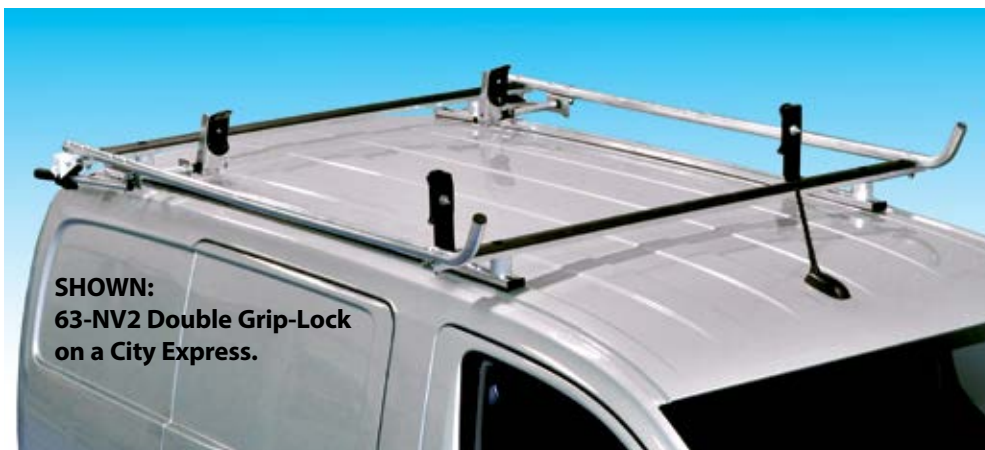
- Heavy-Duty actuating arm firmly grips ladder rungs to prevent shifting of ladder on rack.
- Gripping mechanism is lockable with an optional padlock.
- Rung grips easily adjust to accommodate different types of ladders.
- The full size van racks are finished in a diamond-hard powder coat paint. Key structural members receive durable undercoat of galvanized plating for weather protection and corrosion resistance. Polymer adhesive pads protect the ladder from contact damage.
- The City Express rack features an all aluminum design with a natural finish. Composite extrusions on the crossbars and uprights protect ladders.
- Mounts to drip-rails on full-size vans for easy installation.
- Mounts to pre-existing mounting points in roof of City Express. No drilling required.

SERIES 61 Single Grip-Lock rack provides lock-down mechanism for one ladder.

SERIES 63 Double Grip-Lock rack provides lock-down mechanism for two ladders. All Grip-Lock ladder racks feature heavy-duty handle latch for security.

SERIES 64 Combo Ladder rack combines the features of a 24" ladder rack extension for longer ladders with the stepladder support kit on the Double Grip-Lock ladder rack.

GRIP-LOCK LADDER RACK FOR CITY EXPRESS



SHOWN:
63-NV2 Double Grip-Lock on a City Express.

The **City Express Grip-Lock Rack** features an all aluminum design with a natural finish for the best in quality and longevity. The Grip-Lock mounts directly to pre-existing mounting points in the City Express roof, no drilling is required for installation. Available in single and double configurations.

Tip: Adjusting the clamp brackets for your ladder is important to keep the ladder safe and secure.



SHOWN: 61-1 Grip Lock ladder rack with LR6200WSF LoadsRite ladder rack add-on kit.

STYLE	MODEL	DESCRIPTION
EXPRESS/SAVANA		
SERIES 61	61-1	Single Lock-Down
SERIES 63	63-1	Double Lock-Down
SERIES 64	64-1	COMBO Double Lock-Down includes 69-4 extension kit and 68-3 ladder support kit
CITY EXPRESS		
SERIES 61	61-NV2	Single Grip-Lock Rack
SERIES 63	63-NV2	Double Grip-Lock Rack
ACCESSORIES		
Step Ladder Kit	68-3	Auxiliary Ladder Support
Extension Kit	69-4	24" Ladder Rack Extension
Rail Cover Kit	76	Protective cover for all ladder rack rail and horn
Conduit Carrier	80-1	10' 6" Aluminum Conduit Carrier
Conduit Carrier	80-2	12' 6" Aluminum Conduit Carrier
Conduit Carrier	70-1	4" Diameter PVC Conduit Carrier Kit (use with 4.5" OD PVC)
Conduit Carrier	70-2	6" Diameter PVC Conduit Carrier Kit (use with 6-5/8" OD PVC)

Grip-Lock Rack Accessories

Express / Savana / City Express

CUSTOMIZE YOUR GRIP LOCK LADDER RACK FOR YOUR LADDER CARRYING NEEDS.



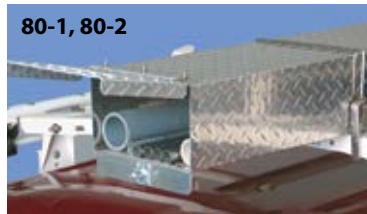
69-4



68-3



76



80-1, 80-2



Aluminum Conduit Carrier

69-4 Extension Kits Ladder rack extension kits add 24" to overall length for longer ladders. Kit includes plastisol side rails and cross support with two polymer ladder pads.

68-3 Step Ladder Support Kits Carry step ladders shorter than the distance between the front and rear cross supports. Kit includes one polymer adhesive-back ladder pad.

76 Rail Cover Kit Protect your fiberglass ladders from wear. Kit includes covers for ladder rack horn and rail to protect ladder from contact damage.

80-1, 80-2 Aluminum Conduit Carriers feature a lift-up door for easy access and lockable swivel closure for security.

70-1, 70-2 PVC Conduit Carrier Kit (not shown) includes cast aluminum hinged lid and end cap, two stainless steel U-bolts, sealant and fasteners. Use with PVC pipe schedule 40 (not supplied.)

2B STEEL UTILITY RACK FOR EXPRESS/SAVANA

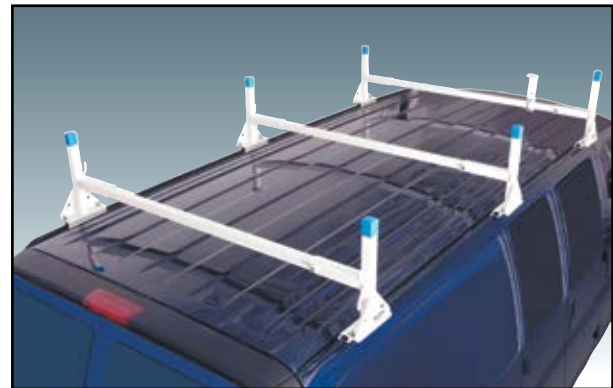
- The new design has eliminated much of the welding. This feature **reduces corrosion up to 80% more compared to similar goal-post style racks!**
- The uprights are fully plastisoled to protect against wear and reduce ladder fatigue.
- Uprights feature a number of attachment points for securing cargo straps.
- Designed to fit GM Express and Savana full size vans.
- Weather resistant cross bar is not cut to fit or perforated in any way improving longevity of the rack.
- Available in our durable black or white powder coat paint.
- Optional center bar supports shorter lengths and provides center support.

MODEL	DESCRIPTION
1BRS-B	Steel One Bar Mid Cross Beam Assembly/Black
1BRS-W	Steel One Bar Mid Cross Beam Assembly/Black
2BRS-B	Steel Two Bar Black
2BRS-W	Steel Two Bar White
SSK-BS	Side Stop Kit Black
SSK-WS	Side Stop Kit White



2B ALUMINUM UTILITY RACK FOR EXPRESS/SAVANA

- Extra wide mount foot and welded tie hooks
- No drilling or cutting required to install prevents exposing metal to the weather.
- Available in our durable black or white powder coat paint.
- Upright caps protect ladders when loading and unloading.
- Optional center bar supports shorter lengths and provides center support.
- Designed to fit GM Express and Savana full size vans.



MODEL	DESCRIPTION
1BAR-B	Aluminum One Bar Mid Cross Beam Assembly/Black
1BAR-W	Aluminum One Bar Mid Cross Beam Assembly/Black
2BAR-B	Aluminum Two Bar Black
2BAR-W	Aluminum Two Bar White
SSK-BA	Side Stop Kit Black
SSK-WA	Side Stop Kit White

ALUMINUM UTILITY RACK FOR CITY EXPRESS COMPACT CARGO

The most flexible rack in the market, the 2BNV2 features an all aluminum design that allows you to maximize the roof of the City Express. No drill installation and an innovative rail system allows the user to easily reposition the crossbows where they are needed. **2BNV2 - Aluminum Utility Rack for City Express**



PERIMETER RACK FOR EXPRESS/SAVANA



PERIMETER RACKS

The VP1 Cargo Rack is designed to fit Express and Savana full size vans. Gutter mounted design requires no drilling. Crossmembers spaced from front bar are 52", 113" and 130" to slantdown rear bar.

- VPE1 Optional Rack Extension (for VP1 only)
- Extend front of rack 30" with additional crossmember for extended long wheel-base full-size vans only.

FEATURES & BENEFITS

- Maximize carrying capacity of van.
- Frame constructed from 2" x 1" 13 GA square tube.
- All racks include rope hooks for easy tie-down.
- Slantdown rear section eases loading.
- Powder coat paint finish for lasting protection.

MODEL	DESCRIPTION
VP1	Perimeter Cargo Rack-fits Express/Savana
VPE1	Rack Extension-fits VP1
CC17	Center Cross Bar-fits VP1
RR5	Cargo Rack Roller-fits VP1

VAN ACCESSORIES	
AS12	Auxiliary Bumper Step
BS6VP	Beacon/Stroke Light Stand
LS3VP	Ladder Stop
RS4	Ratchet Strap
SH12	Step Handle
80-1	10'6" Aluminum Conduit Carrier
80-2	12'6" Aluminum Conduit Carrier



RR5 Cargo Rack Roller makes all your cargo easy-on and easy-off. Fits VP1 only. Includes two U-bolts for mounting.



RS4 Ratchet Strap safely ties down cargo. Locking ratchet action handle with 7 x 1.5" strap. Fits VP1 only.

BS6VP Beacon/Stroke Light Stand raises light above rack for improved visibility.

LS3VP Ladder Stop provides rung stop and tie off point for ladders.

STORING LADDERS INSIDE YOUR WORK VAN IS EASY AS 1, 2, 3, WITH OUR NEW LADDER KEEPER.

Designed to be loaded from outside the vehicle, the Ladder Keeper features a spring-loaded clamp that holds the ladder securely in place. Just set the top of the ladder in the front clamp bracket and push it forward until the bottom of the ladder sits in the rear clamp bracket. Can be mounted to the ceiling or wall of the vehicle to keep ladders inside and out of the elements.



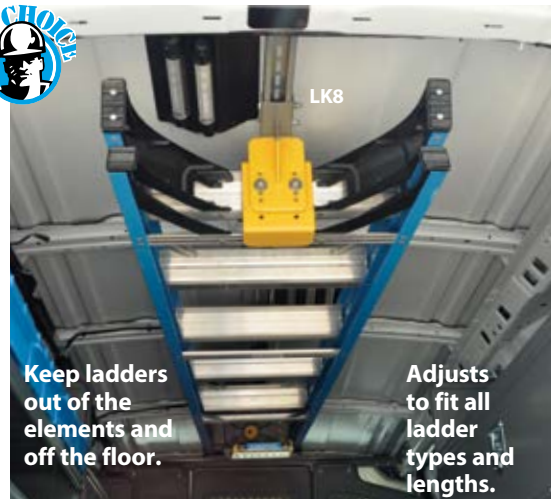
1 Simply press ladder inward to release rear ladder rung from the rear clamp bracket.



2 Walk the ladder back as the front clamp bracket glides on the track.



3 Remove front rung from the front clamp bracket and you're ready to go to the job site!



Keep ladders out of the elements and off the floor.

Adjusts to fit all ladder types and lengths.

Ladder Keeper includes all parts needed to carry up to a 6' ladder in a regular wheelbase van and an 8' ladder in a long wheelbase van. To accommodate larger vehicles or ladders, you will require the LKX extension that provides 4' of additional track.

LK8 - Ladder Keeper for GM Express/Savana LWB
LKX - Four foot Extension for GM Express/Savana XLWB

STORAGE SOLUTIONS THAT STAND UP TO THE JOB.

General Contractor packages feature flexibility with adjustable shelving and drop in dividers that can be configured for what you need today and adjusted for what you need down the road. Complete the package with a ladder or cargo rack, a driver data file to organize your paperwork, and a graphic to turn your vehicle into a billboard for your business.

GENERAL SERVICE PACKAGE
4317G GM FSV long wheelbase
4317GX GM FSV x-long wheelbase

ITEM	MODEL	DESCRIPTION	QTY
1	AD44FP	ADseries 44" shelf unit	3
2	RKFSVLWB	Rail Kit for AD series	1
3	DV14C8	Divider 8 pack	1
4	919	Three Drawer Combo	1
5	S1M2HC2FSV	Partition	1
6	UH50	Utility Hook	2
7	DK4208	8" Door Kit	2
8	TA1	Hook Bar	1
9	19	Two Drawer Medium	1
10	DC6	Drawer Component - 6"	1
11	BRK14EPS	End Panel Bracket	2
12	WKC2FSVGM	Partition Wing Kit	1

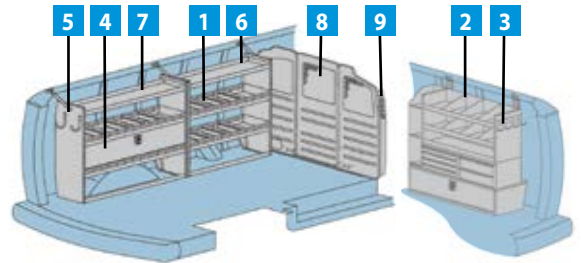


All Trade Packages include a steel cargo partition.

2256G
GENERAL CONTRACTOR PACKAGE

GM Full-Size Long Wheelbase Vans

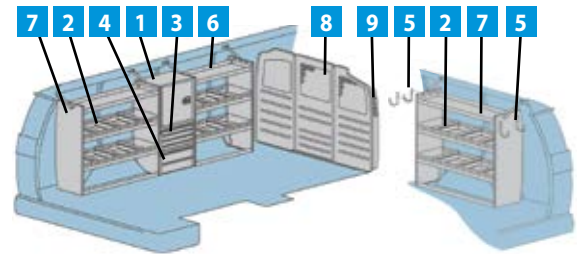
ITEM	MODEL	DESCRIPTION	QTY
1	DV14	14" Divider	14
2	MD507	Drawer Cabinet Rack Module	1
3	TA1	Hook Bar	1
4	DK552	Door Kit	1
5	UH50	Hook 5"	2
6	HD-42FP	HD Adjustable Closed End Shelving Overall Size: 46" H, 42" W, 14" D	1
7	HD-52FP	HD Adjustable Closed End Shelving Overall Size: 46" H, 52" W, 14" D	1
8	S1M2C2FSV	Partition	1
9	WKC2FSVGM	Partition Wing Kit	1



2257G
GENERAL CONTRACTOR PACKAGE

GM Full-Size Long Wheelbase Vans

ITEM	MODEL	DESCRIPTION	QTY
1	12	Open Side Shelf Cabinet	1
2	DV14	14" Divider	16
3	9	Four Drawer Shallow	1
4	19	Two Drawer Medium	1
5	UH50	Hook 5"	4
6	HD-32FP	HD Adjustable Closed End Shelving Overall size: 46" H, 32" W, 14" D	1
7	HD-42FP	HD Adjustable Closed End Shelving Overall size: 46" H, 42" W, 14" D	2
8	S1M2C2FSV	Partition	1
9	WKC2FSVGM	Partition Wing Kit	1



Graphic designed with:



More info on pages 4-5.

Feel like you already work 24/7?
 You may not be able to but your van can with a graphics package advertising you!

Make your van WORK READY with a drop-down ladder rack or versatile cargo rack.



MAXIMIZE YOUR CARGO VAN STORAGE VOLUME WITH 44 SERIES WELDED SHELVING.

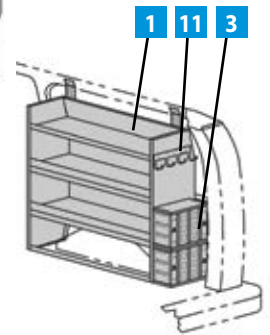
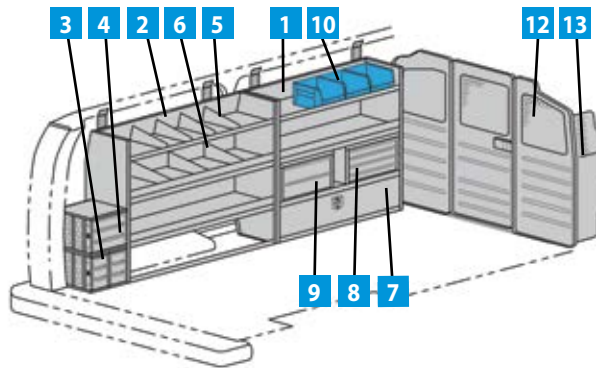
**4135G GENERAL CONTRACTOR PACKAGE
GM Full-Size Long Wheelbase Vans**

ITEM	MODEL	DESCRIPTION	QTY
1	4442	42" Welded Utility Rack	1
2	4450	50" Welded Utility Rack	1
3	4432	32" Welded Utility Rack	1
4	DK550	Door Kit	1
5	DV44U4	Dividers	1
6	TA1	Hook Bar	2
7	CL1446R	Cabinet Locker Tall-Door	1
8	9	4 Drawer Shallow	1
9	19	2 Drawer Medium	1
10	DC12	Drawer Component - 12"	1
11	DC6	Drawer Component - 6"	3
12	DK544	Door Kit	1
13	28	Plastic Bins	3
14	S1M2HC2FSV	Partition (not pictured)	1
15	WKC2FSVGM	GM Partition Wing Kit (not pictured)	1



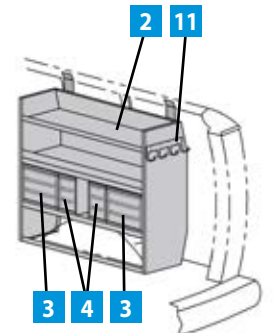
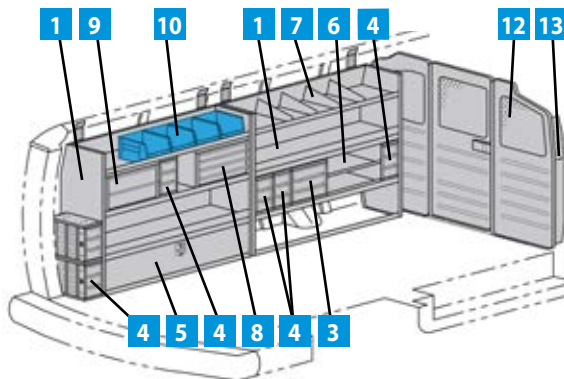
**4136G INDUSTRIAL SERVICES PACKAGE
GM Full-Size Long Wheelbase Vans**

ITEM	MODEL	DESCRIPTION	QTY
1	4442	42" Welded Utility Rack	2
2	4450	50" Welded Utility Rack	1
3	DC6	Drawer Component - 6"	4
4	DC12	Drawer Component - 12"	1
5	DV44U4	Dividers	1
6	DV44L2	Dividers	3
7	DK544	Door Kit	1
8	9	4 Drawer Shallow	1
9	19	2 Drawer Medium	1
10	28	Plastic Bins	3
11	TA1	Hook Bar	1
12	S1M2HC2FSV	Partition	1
13	WKC2FSVGM	GM Partition Wing Kit	1



**4138G GENERAL STORAGE PACKAGE
GM Full-Size Long Wheelbase Vans**

ITEM	MODEL	DESCRIPTION	QTY
1	4450	50" Welded Utility Rack	2
2	4442	42" Welded Utility Rack	1
3	DC12	Drawer Component - 12"	3
4	DC6	Drawer Component - 6"	8
5	DK550	Door Kit	1
6	SF11218DC	18" wide DC shelf	2
7	DV44U4	Dividers	1
8	9	4 Drawer Shallow	1
9	19	2 Drawer Medium	1
10	28	Plastic Bins	4
11	TA1	Hook Bar	1
12	S1M2HC2FSV	Partition	1
13	WKC2FSVGM	GM Partition Wing Kit	1



STORAGE SYSTEMS THAT ARE AS FLEXIBLE AS YOU ARE.

Is there anything that you don't have in the back of your van? For all the fittings, pipe and tools that you need to transport, you need an Adrian Steel Work Ready van with the trade specific equipment you'll use to do the job and a graphics package advertising what you do.

PLUMBING, HEATING & A/C REPAIR PACKAGE

4318G GM FSV long wheelbase
4318GX GM FSV x-long wheelbase

ITEM	MODEL	DESCRIPTION	QTY
1	AD44FP	ADseries 44" shelf unit	3
2	RKFSVLWB	Rail Kit for AD series	1
3	DV14C8	Divider 8 pack	1
4	919	Three Drawer Combo	1
5	S1M2HC2FSV	Partition	1
6	WTR230150	Welded Tank Rack	1
7	19	Two Drawer Medium	2
8	DC6	Drawer Component - 6"	3
9	DC12	Drawer Component - 12"	1
10	DK4208	8" Door Kit	2
11	TA1	Hook Bar	1
12	VMA36	Vice Mount Assembly	1
13	BRK14EPS	End Panel Bracket	1
14	RKAWTR	Tank Holder Adapter	1
15	WKC2FSVGM	Partition Wing Kit	1

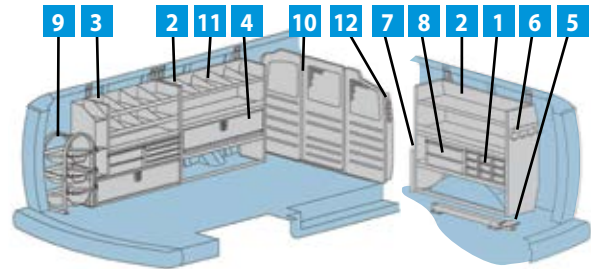


All Trade Packages include a steel cargo partition.

2251G PHVAC PACKAGE

GM Full-Size Long Wheelbase Vans

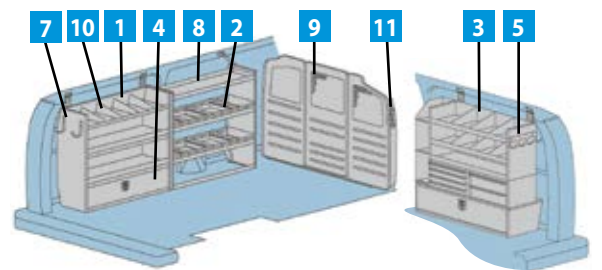
ITEM	MODEL	DESCRIPTION	QTY
1	DS36012H	Drawer System	1
2	4442	Welded Shelf Rack	2
3	MD507	Drawer Cabinet Rack Module (includes: #18, #43, #40, #9, #19)	1
4	DK544	Door Kit	1
5	VMA36	Vise Mount Assembly	1
6	TA1	Hook Bar	1
7	TH50	50-lb. Tank Holder	1
8	19	Two Drawer Medium	1
9	WTR230150	Three Tank Rack	1
10	S1M2C2FSV	Partition	1
11	DV44U4	Dividers	1
12	WKC2FSVGM	Partition Wing Kit	1



2261G PHVAC PACKAGE

GM Full-Size Long Wheelbase Vans

ITEM	MODEL	DESCRIPTION	QTY
1	4442	Welded Shelf Rack	1
2	DV14	14" Divider	6
3	MD507	Drawer Cabinet Rack Module	1
4	DK544	Door Kit	1
5	TA1	Hook Bar	1
6	DTWL21	Door Tray with Lid (not shown)	2
7	UH50	Hook 5"	2
8	HD-42FP	HD Adjustable Closed End Shelving 46" H, 42" W, 14" D	1
9	S1M2C2FSV	Partition	1
10	DV44U4	Dividers	1
11	WKC2FSVGM	Partition Wing Kit	1



Graphic designed with:



More info on pages 4-5.

Promote your COOL BRAND!
Your business name WILL BE seen with a graphics package for your van!

MAKE YOUR VAN WORK READY:
Have the small fittings, fasteners and parts taken over your van? Stay in control with a Bin Storage System!



page 17

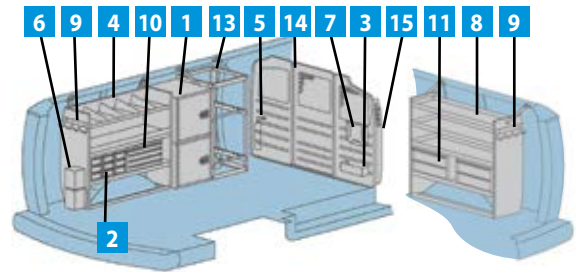
IF IT IS YOUR JOB TO KEEP UP WITH THE LATEST TECHNOLOGY, IT'S OUR JOB TO KEEP THAT TECHNOLOGY ORGANIZED AND EASILY ACCESSIBLE!

Cable TV interiors are designed specifically for service technicians who need to make fast and efficient service and installation calls. Divided shelving and composite drawers are perfect for keeping connectors, adapters, wall plates, cables, splitters and every other small component organized and in its place.

**2258G
CABLE TV
PACKAGE**

**GM Full-Size
Long Wheelbase Vans**

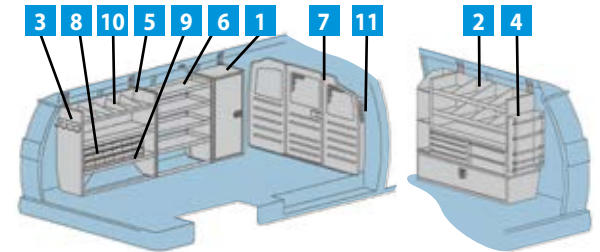
ITEM	MODEL	DESCRIPTION	QTY
1	1	Adjustable Shelf Cabinet	2
2	DS36012H	Nine Drawer System	1
3	PA9	First Aid Tray	1
4	4442	Welded Shelf Rack	1
5	PA8	Fire Extinguisher	1
6	PA7	Reflector Flare Kit	1
7	TA2	Hard Hat Holder	1
8	50-42	KD Shelf Rack	1
9	TA1	Hook Bar	2
10	9	Four Drawer Shallow	1
11	19	Two Drawer Medium	2
12	DDF12	Data File (not shown)	1
13	KDRH2	Cable Reel Holder	1
14	S1M2C2FSV	Partition	1
15	DV44U4	Dividers	1
	WKC2FSVGM	Partition Wing Kit	1



**3230G
CABLE TV
PACKAGE**

**GM Full-Size
Long Wheelbase Vans**

ITEM	MODEL	DESCRIPTION	QTY
1	CL1446R	Cabinet Locker Tall-Door	1
2	MD507	Drawer Rack Module	1
3	TA1	Hook Bar	1
4	WRH5	5-Bar Wire Reel Holder	1
5	4442	Welded Shelf Rack	1
6	50-32	KD Shelf Rack	1
7	S1M2HC2FSV	Partition	1
8	36	18-Drawer Unit	1
9	39	Riser	1
10	DV44U4	Dividers	1
11	WKC2FSVGM	Partition Wing Kit	1



All Trade Packages include a steel cargo partition.

Organize connectors, splitters, adapters and many other small parts in an SPT Tote and tray system. Removable trays have small, divided compartments for easily identifying and choosing what you need to take to the jobsite.



page 13

COMMUNICATE YOUR BRAND!

If you make a living in a highly competitive market you must stand out from all the others. If your work speaks for itself, shouldn't your van speak for you too?

Get the attention you deserve with a vehicle graphics package from Commercial Curb Appeal!



MAKE YOUR VAN WORK READY!

Graphic designed with:



More info on pages 4-5.

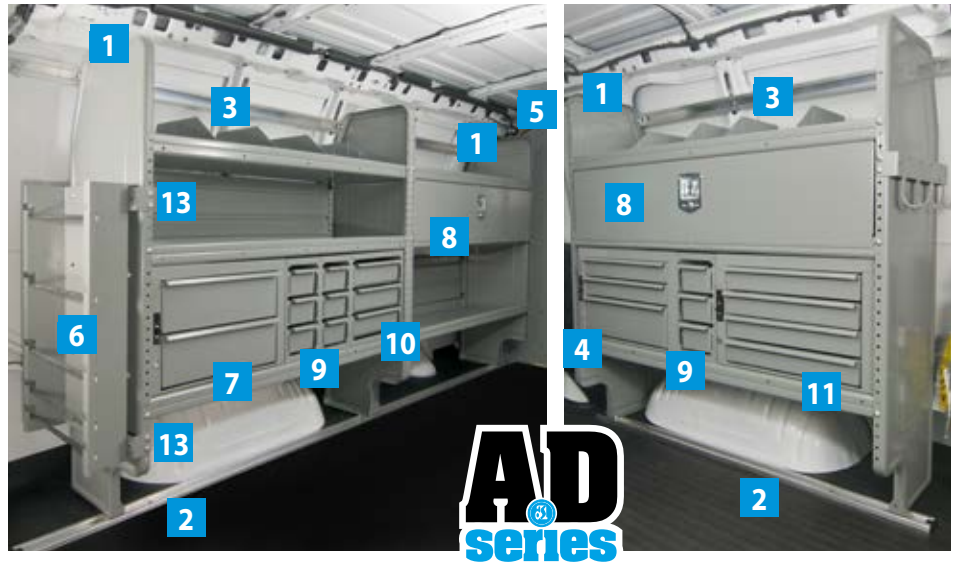
KEEP EVERYTHING IN IT'S PLACE AND EASILY ACCESSIBLE.

Time is money, and no one wants to pay you to dig through your van to find the connectors, junction boxes or tools you need to do the job. You don't want to wait either, so get your interior, ladder rack and graphics wrap all done at one place.

ELECTRICAL & GAS APPLIANCE REPAIR PACKAGE

4319G GM FSV long wheelbase
4319GX GM FSV x-long wheelbase

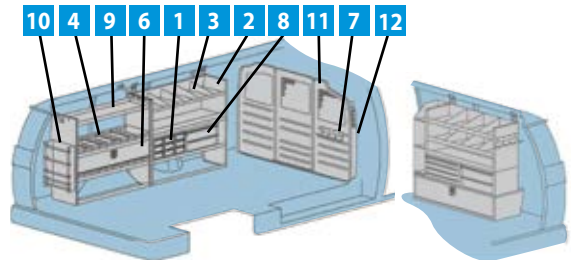
ITEM	MODEL	DESCRIPTION	QTY
1	AD44FP	ADseries 44" shelf unit	3
2	RKFSVLWB	Rail Kit for AD series	1
3	DV14C8	Divider 8 pack	1
4	919	Three Drawer Combo	1
5	S1M2HC2FSV	Partition	1
6	WRH5	Wire Reel Holder	1
7	19	Two Drawer Medium	1
8	DK4208	8" Door Kit	2
9	DC6	Drawer Component - 6"	3
10	DC12	Drawer Component - 12"	1
11	9	Four Drawer Shallow	1
12	TA1	Hook Bar	1
13	BRK14EPS	End Panel Bracket	3
14	WKC2FSVGM	Partition Wing Kit	1



2252G ELECTRICAL CONTRACTOR PACKAGE

GM Full-Size Long Wheelbase Vans

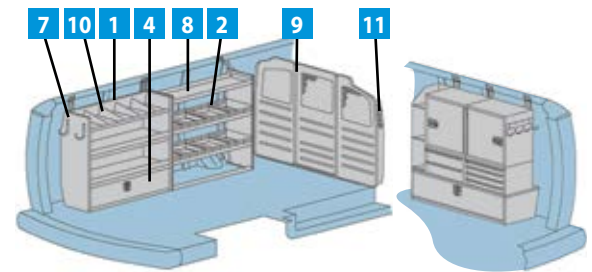
ITEM	MODEL	DESCRIPTION	QTY
1	DS36012H	Nine Drawer System	1
2	4442	Welded Shelf Rack	1
3	DV44U4	Dividers	1
4	DV14	14" Divider	8
5	MD507	Drawer Cabinet Rack Module	1
6	DK542	Door Kit	1
7	TA1	Hook Bar	2
8	19	Two Drawer Medium	1
9	HD-42FP	Heavy-Duty Adjustable KD Shelving Overall Size: 46" H, 42" W, 14" D	1
10	WRH5	5-Bar Wire Reel Holder	1
11	S1M2C2FSV	Partition	1
12	WKC2FSVGM	Partition Wing Kit	1



2262G ELECTRICAL CONTRACTOR PACKAGE

GM Full-Size Long Wheelbase Vans

ITEM	MODEL	DESCRIPTION	QTY
1	4442	Welded Shelf Rack	1
2	DV14	14" Dividers	6
3	MD506	Drawer Cabinet Module	1
4	DK544	Door Kit	1
5	TA1	Hook Bar	1
6	DTW21	Door Tray with Lid (not shown)	2
7	UH50	Hook 5"	2
8	HD-42FP	Heavy-Duty Adjustable KD Shelving Overall Size: 46" H, 42" W, 14" D	1
9	S1M2C2FSV	Partition	1
10	DV44U4	Dividers	1
11	WKC2FSVGM	Partition Wing Kit	1



Graphic designed with:



More info on pages 4-5.

Electrify your brand with a rolling billboard at every service call.

MAKE YOUR VAN WORK READY:
 Carry ladders safely and securely on the top of your van with a LoadsRite or Grip-Lock ladder rack.

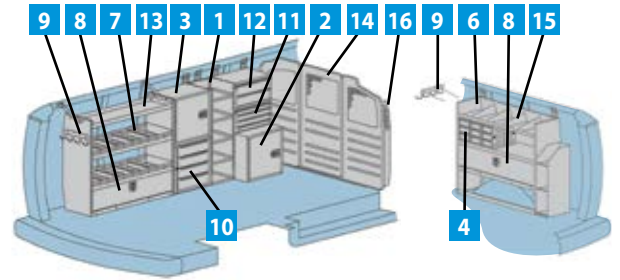


THE KEY TO BEING A MOBILE LOCKSMITH IS HAVING EVERYTHING YOU NEED WHEREVER YOU ARE.

Whether you are helping stranded motorists get back into their vehicle or installing a home security system, having everything needed for the job will keep your work day or night operating efficiently.

**2253G
ALARM
PACKAGE**

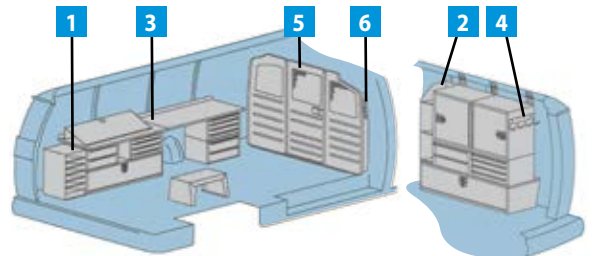
ITEM	MODEL	DESCRIPTION	QTY
1	33	KD Shelf Rack	1
2	1	Adjustable Shelf Cabinet	1
3	12	Open Side Shelf Cabinet	1
4	DC6	Drawer Component 6"	3
5	43	Catalog File	1
6	4442	Welded Shelf Rack	1
7	DV14	14" Dividers	8
8	DK544	Door Kit	2
9	TA1	Hook Bar	2
10	2	Four Drawer Medium	1
11	9	Four Drawer Shallow	1
12	19	Two Drawer Medium	1
13	HD-42FP	Closed End Adjustable KD Shelving	1
14	S1M2C2FSV	Partition	1
15	DV44U4	Dividers	1
16	WKC2FSVGM	Partition Wing Kit	1



**GM Full-Size
Long Wheelbase Vans**

**2255G
LOCKSMITH
PACKAGE**

ITEM	MODEL	DESCRIPTION	QTY
1	17A	Catalog File	1
2	MD506	Drawer Cabinet Module	1
3	MD608	Workbench Module	1
4	TA1	Hook Bar	1
5	S1M2HC2FSV	Partition	1
6	WKC2FSVGM	Partition Wing Kit	1



Key Machine Base holds key cutting machines at a 25-degree slope towards the operator for easy cutting. Mounts to No. 54 Workbench. Two sizes available to hold one or two machines.
KMB36 - 36" Key Machine Base
KMB18 - 18" Key Machine Base



25° slope for easy cutting



MAKE IT A WORK READY VAN!

Day and night, you can lock in those leads with a vehicle graphic wrap from Commercial Curb Appeal.

Design your own look and have it installed at the same time as your interior!



Graphic designed with:



More info on pages 4-5.

**THE ONLY VAN INTERIOR DESIGNED AROUND THE AUTOMOTIVE GLASS REPAIR PROFESSIONAL.
FEATURING BURCO GLASS RACKS.**

Burco S-Series glass racks fit any van and are ideal for loading and unloading from the top or side. They are very adaptable with a variety of widths and mast extensions to best fit your application.



The 45047 Burco Glass Rack accommodates up to 11 windshields. Designed for modern windshields with six 14.5" and six 23.5" divider posts. The glass rack can transport both taller windshields and smaller glass panels safely. Each post is surrounded with a protective foam cover and a twist and lock top to keep your glass safe and secure.

Package shown with S-M-C partition option.



AGSS24 shown with AGSCH2 Suction Cup Holder

Storage Station

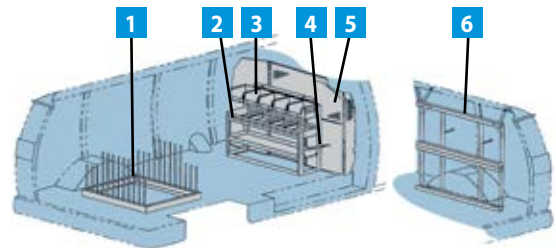
Store all your window prep supplies (glass primers, razor blades, cleaning supplies, power and hand tools) on the Storage Station. The removable blue bins allow you to take parts with you. The AGSS24 measures 36" high by 12" deep by 42" long.



AGTW4

Trim Weld Storage

Safely store windshield gaskets with the AGTW4. Easily pull out the length you need and forget about damaged material that costs time and money! Accommodates 24" by 24" boxed gaskets and most sizes of round gasket containers.



**4145G
AUTO GLASS INTERIOR PACKAGE
GM Express / Savana LWB**

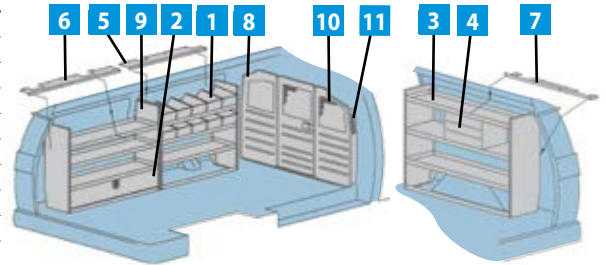
ITEM	MODEL	DESCRIPTION	QTY
1	45047	S-111524B Burco Auto Glass Rack	1
2	AGSS24	Auto Glass Storage Station	1
3	28	Plastic Bins	5
4	AGSCH2	Suction Cup Holder	1
5	X1FSV	X1 Partition	1
6	AGTW4	Auto Glass Trim Weld Storage	1
7	WKX1FSVGM	Partition Wing Kit	1

EXPRESS ACCESS & SAVANA PRO UPFITS PROVIDE EASY ACCESS AND FLEXIBLE STORAGE.

Side panels allow access to bins, drawers and shelving for easy access from the outside of the van.

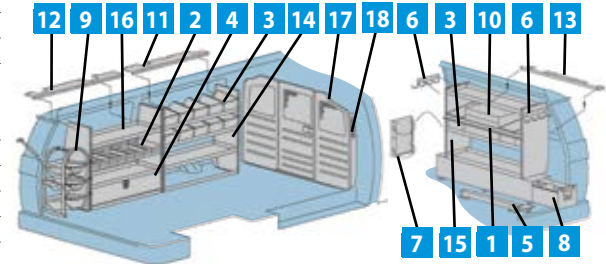
**2940G
GENERAL SERVICE
PACKAGE**

ITEM	MODEL	DESCRIPTION	QTY
1	24	Plastic Bin 15" X 8" X 7"	10
2	DK552A	Door Kit	1
3	AP6	KD Shelf Unit	1
4	919	Three Drawer Combo	1
5	MB121	Strside Frnt Sill Plate 44"	1
6	MB122	Strside Rear Sill Plate 52"	1
7	MB123	Crbside Sill Plate 42"	1
8	AP1	KD Shelf Unit	1
9	AP2	KD Shelf Unit	1
10	S1M2HC2FSV	Partition	1
11	WKC2FSVGM	Partition Wing Kit	1



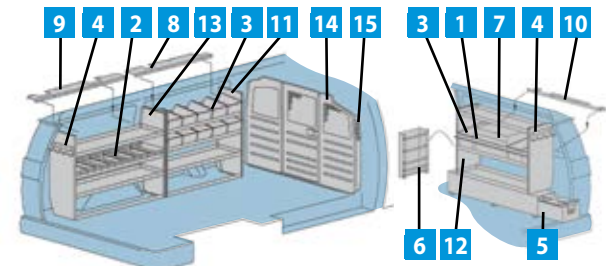
**2942G
HVAC INTERIOR
PACKAGE**

ITEM	MODEL	DESCRIPTION	QTY
1	VM42	Floor Rail 42"	1
2	DV14	14" Divider	4
3	24	Plastic Bin 15" X 8" X 7"	12
4	DK544	Door Kit	1
5	VMA 36	Vise Mount Assembly	1
6	TA1	Hook Bar	2
7	TH50	50-lb. Tank Holder	1
8	SA-10	Single Wide Deep Stow-All	1
9	WTR230150	Three Tank Rack	1
10	919	Three Drawer Combo	1
11	MB121	Strside Frnt Sill Plate 44"	1
12	MB122	Strside Rear Sill Plate 52"	1
13	MB123	Crbside Sill Plate 42"	1
14	AP1	KD Shelf Unit	1
15	AP3	KD Shelf Unit	1
16	AP 5	KD Shelf Unit	1
17	S1M2HC2FSV	Partition	1
18	WKC2FSVGM	Partition Wing Kit	1



**2941G
ELECTRIC & GAS
REPAIR
PACKAGE**

ITEM	MODEL	DESCRIPTION	QTY.
1	VM42	Floor Rail 42"	1
2	DV14	14" Divider	5
3	24	Plastic Bin 15" X 8" X 7"	12
4	TA1	Hook Bar	2
5	SA-10	Single Wide Deep Stow-All	1
6	WRH5	5-Bar Wire Reel Holder	1
7	919	Three Drawer Combo	1
8	MB121	Strside Frnt Sill Plate 44"	1
9	MB122	Strside Rear Sill Plate 52"	1
10	MB123	Crbside Sill Plate 42"	1
11	AP1	KD Shelf Unit	1
12	AP3	KD Shelf Unit	1
13	AP4	KD Shelf Unit	1
14	S1M2HC2FSV	Partition	1
15	WKC2FSVGM	Partition Wing Kit	1





GM POLY PROTECTO-VAN LINER

- Protect your GM van from the inside with a Protec-to-Van Liner Kit.
- Designed to minimize the damage to the walls of your van.
- Liner panels are molded to conform to the shape of the van walls and run from floor to ceiling.
- The kit includes full length E-track and a hinged-door partition.
- Available for long and extended long wheelbase GM full size vans.

3056G fits 2014-older Express/Savana LWB

3057G fits 2014-older Express/Savana XLWB

5384G fits 2015-on Express/Savana LWB

5384GX fits 2015-on Express/Savana XLWB

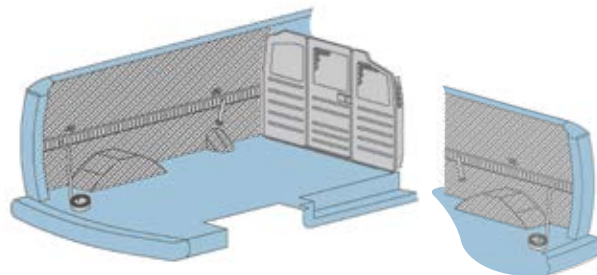


Choose from the Grip-Lock or LoadsRite ladder racks to get your ladders out of the van and on the roof for secure transportation.



Keep the cargo floor open for transporting large items. A Ladder Keeper will keep a step ladder secure on the ceiling and out of the way!

page 23



Vehicle fit: Poly Protecto-Van Liner fit full-size GM vans with long and extended long wheelbases. For use with 60/40 and sliding side doors.

Optional Floor Mat ordering information is on page 17.

4959
CARGO MANAGEMENT PACKAGE #1
 One ADseries Shelf and Steel Partition
City Express

ITEM	MODEL	DESCRIPTION	QTY
1	AD32FP	ADseries Shelf 32"	1
2	RKNV2-SS	Rail Kit-NV200 streetside	1
3	P2NV2S	Steel Partition, NV200	1



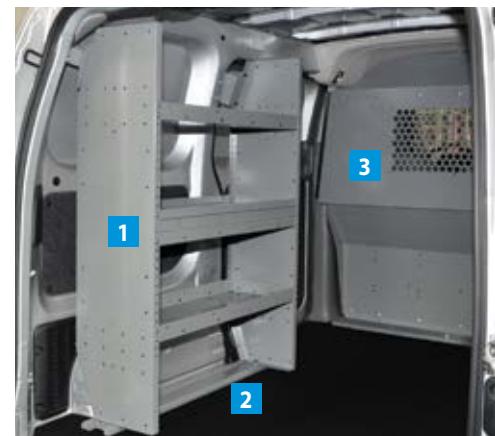
4960
CARGO MANAGEMENT PACKAGE #2
 One ADseries Shelf and Wire Partition
City Express

ITEM	MODEL	DESCRIPTION	QTY
1	AD32FP	ADseries Shelf 32"	1
2	RKNV2-SS	Rail Kit-NV200 streetside	1
3	P2NV2FW	Wire Partition, NV200	1



4961
CARGO MANAGEMENT PACKAGE #3
 One HD Series Shelf and Steel Partition
City Express

ITEM	MODEL	DESCRIPTION	QTY
1	HD-32NV2	HD Shelf 12"x32"	1
2	RKNV2-SS	Rail Kit-NV200 streetside	1
3	P2NV2S	Steel Partition, NV200	1



4962
CARGO MANAGEMENT PACKAGE #4
 One HD Series Shelf and Wire Partition
City Express

ITEM	MODEL	DESCRIPTION	QTY
1	HD-32NV2	HD Shelf 12"x32"	1
2	RKNV2-SS	Rail Kit-NV200 streetside	1
3	P2NV2FW	Wire Partition, NV200	1



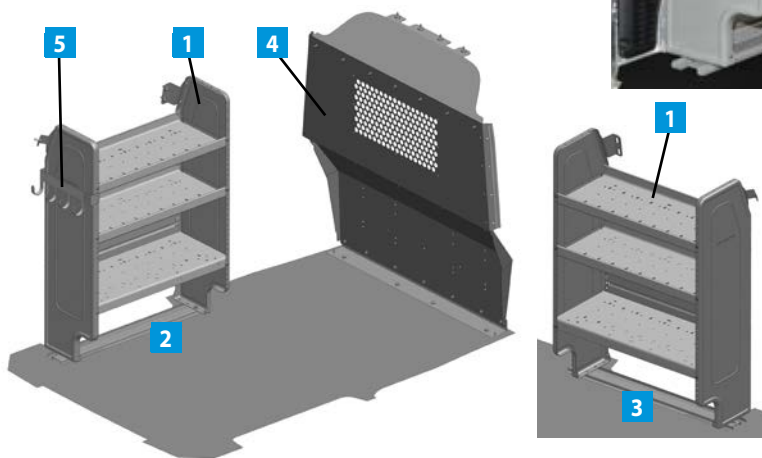
4964

CARGO MANAGEMENT PACKAGE #1

Includes two 32" ADseries Shelves

City Express

ITEM	MODEL	DESCRIPTION	QTY
1	AD32FP	ADseries Shelf 32"	2
2	RKNV2-SS	Rail Kit-NV200 streetside	1
3	RKNV2-CS	Rail Kit-NV200 curbside	1
4	P2NV2S	Steel Partition, NV200	1
5	TA1WAD	Hook Bar	1



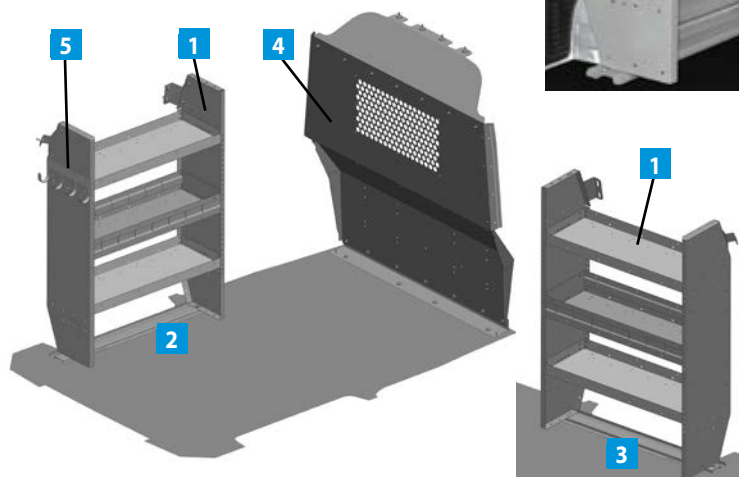
4965

CARGO MANAGEMENT PACKAGE #2

Includes two 32" HD Series Shelves

City Express

ITEM	MODEL	DESCRIPTION	QTY
1	HD-32NV2	HD Shelf 12"x32"	2
2	RKNV2-SS	Rail Kit-NV200 streetside	1
3	RKNV2-CS	Rail Kit-NV200 curbside	1
4	P2NV2S	Steel Partition, NV200	1
5	TA1WAD	Hook Bar	1

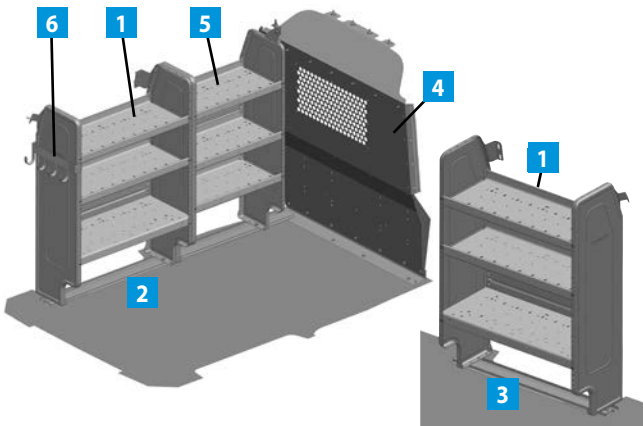


4966

CARGO MANAGEMENT PACKAGE #3

Includes two 32" & one 28" ADseries Shelves
City Express

ITEM	MODEL	DESCRIPTION	QTY
1	AD32FP	ADseries Shelf 32"	2
2	RK67NV2-SS	Rail Kit-NV200 dbl streetside	1
3	RKNV2-CS	Rail Kit-NV200 curbside	1
4	P2NV2S	Steel Partition, NV200	1
5	AD28NV2	ADseries Shelf 28"	1
6	TA1WAD	Hook Bar	1

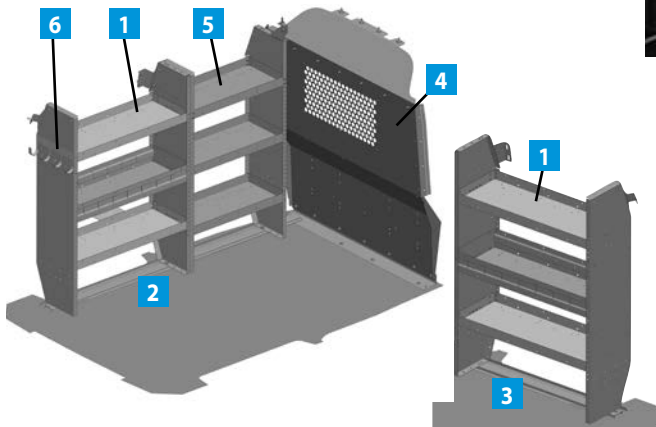


4967

CARGO MANAGEMENT PACKAGE #4

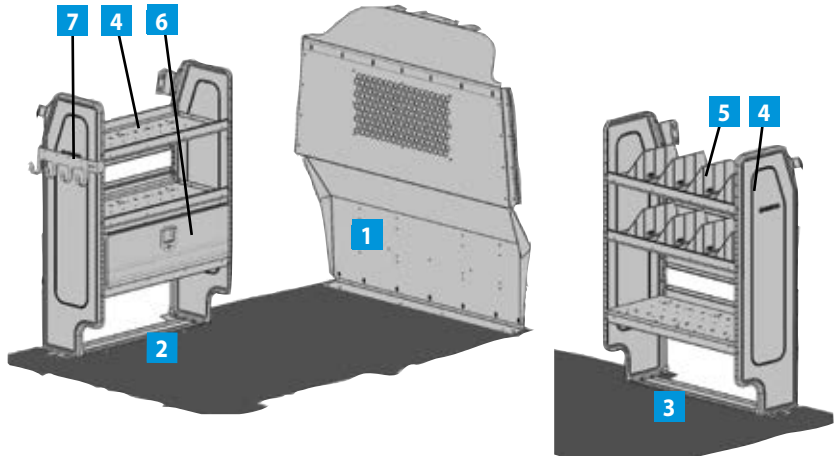
Includes two 32" & one 28" HD Series Shelves
City Express

ITEM	MODEL	DESCRIPTION	QTY
1	HD-32NV2	HD Shelf 12"x32"	2
2	RK67NV2-SS	Rail Kit-NV200 dbl streetside	1
3	RKNV2-CS	Rail Kit-NV200 curbside	1
4	P2NV2S	Steel Partition, NV200	1
5	HD-28NV2	HD Shelf 12"x28"	1
6	TA1	Hook Bar	1



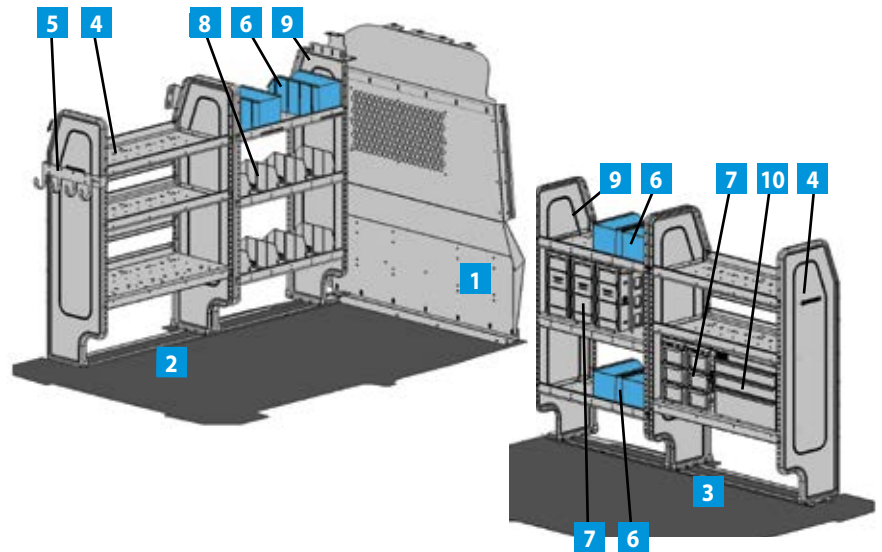
**5098
COMMERCIAL SHELVING PACKAGE
14" ADSERIES SHELVING
City Express**

ITEM	MODEL	DESCRIPTION	QTY
1	P2NV2S	Steel Partition, NV200	1
2	RKNV2-SS	Rail Kit-NV200 streetside	1
3	RKNV2-CS	Rail Kit-NV200 curbside	1
4	AD32FP	ADseries Shelf 32"	2
5	DV14C8	Divider kit of 8	1
6	DK532	Door Kit	1
7	TA1WAD	Four Hook Bar	1



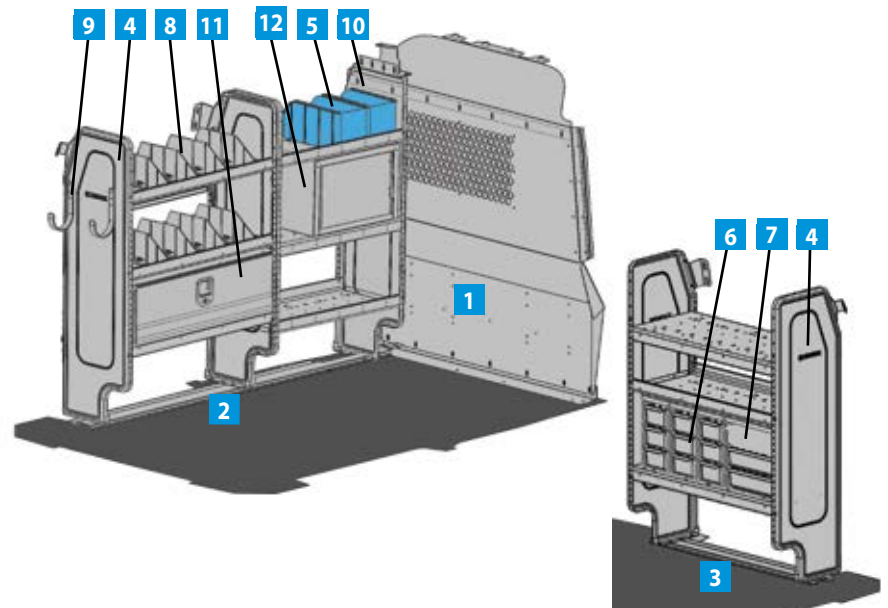
**5100
GENERAL SERVICE PACKAGE
14" ADSERIES SHELVING
City Express**

ITEM	MODEL	DESCRIPTION	QTY
1	P2NV2S	Steel Partition, NV200	1
2	RK67NV2-SS	Rail Kit-NV200 streetside	1
3	RK67NV2-CS	Rail Kit-NV200 curbside	1
4	AD32FP	ADseries Shelf 32"	2
5	TA1WAD	Four Hook Bar	1
6	SBIN060614	6" Snap-in Bin	6
7	DC6	6" Drawer Component	5
8	DV14C8	Divider kit of 8	1
9	AD28NV2	ADseries Shelf 28"	2
10	919	3 Drawer Combo	1



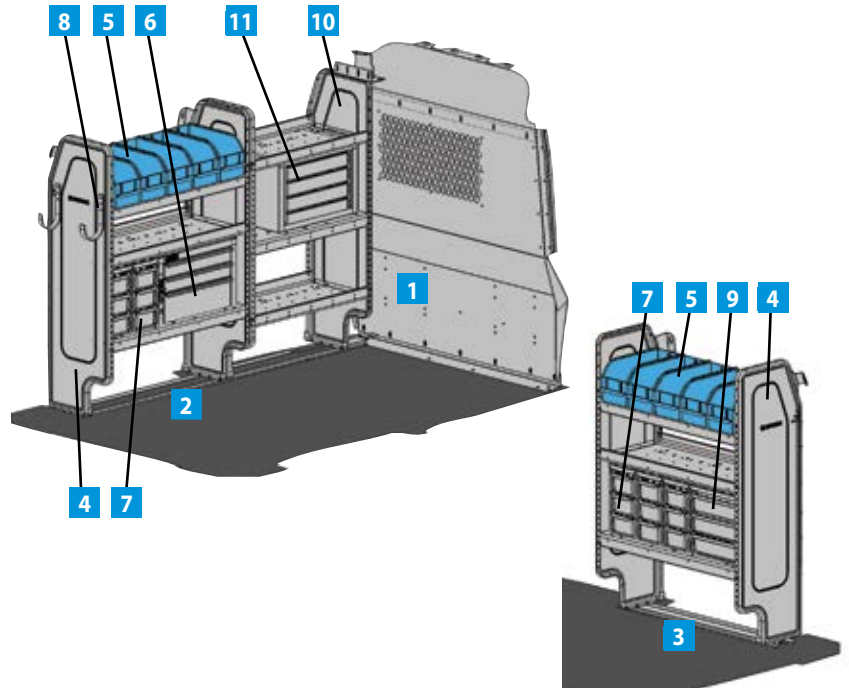
**5097
TELECOMMUNICATIONS PACKAGE
14" ADSERIES SHELVING
City Express**

ITEM	MODEL	DESCRIPTION	QTY
1	P2NV2S	Steel Partition, NV200	1
2	RK67NV2-SS	Rail Kit-NV200 streetside	1
3	RKNV2-CS	Rail Kit-NV200 curbside	1
4	AD32FP	ADseries Shelf 32"	2
5	SBIN060614	6" Snap-in Bin	2
6	DC6	6" Drawer Component	3
7	DC12	12" Drawer Component	1
8	DV14C8	Divider kit of 8	1
9	UH50	5" Hook	2
10	AD28NV2	ADseries Shelf 28"	1
11	DK532	Door Kit	1
12	19	2 Drawer Medium	1



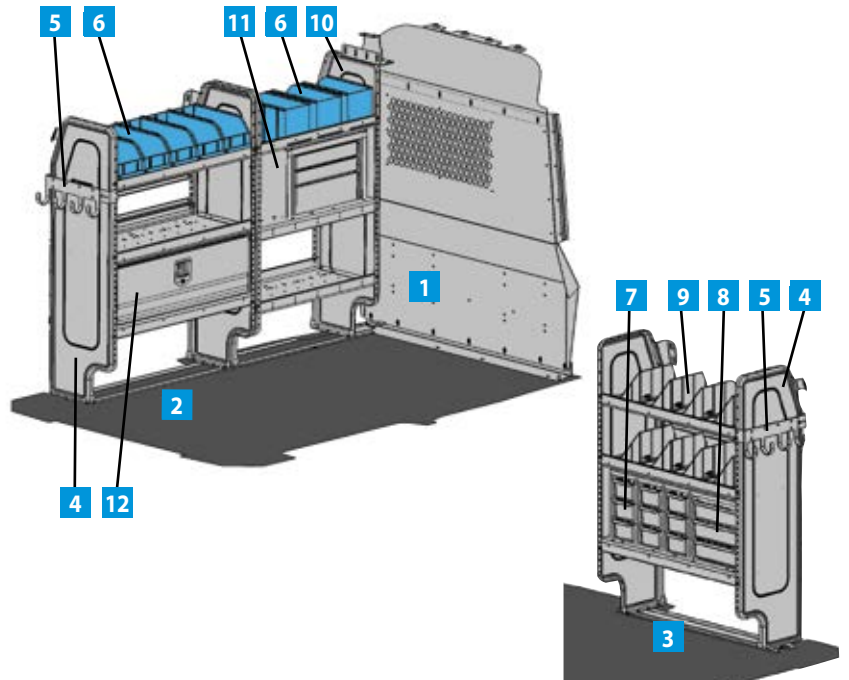
**5096
PLUMBING PACKAGE
14" ADSERIES SHELVING
City Express**

ITEM	MODEL	DESCRIPTION	QTY
1	P2NV2S	Steel Partition, NV200	1
2	RK67NV2-SS	Rail Kit-NV200 streetside	1
3	RKNV2-CS	Rail Kit-NV200 curbside	1
4	AD32FP	ADseries Shelf 32"	2
5	SBIN060614	6" Snap-in Bin	10
6	919	Drawer Unit	1
7	DC6	6" Drawer Component	5
8	UH50	5" Hook	2
9	DC12	12" Drawer Component	1
10	AD28NV2	ADseries Shelf 28"	1
11	9	4 Drawer Shallow	1
12	SRAILAD32	Bin Retention Rail 32"	2
13	BAGSRAIL	Fastener Bag	1



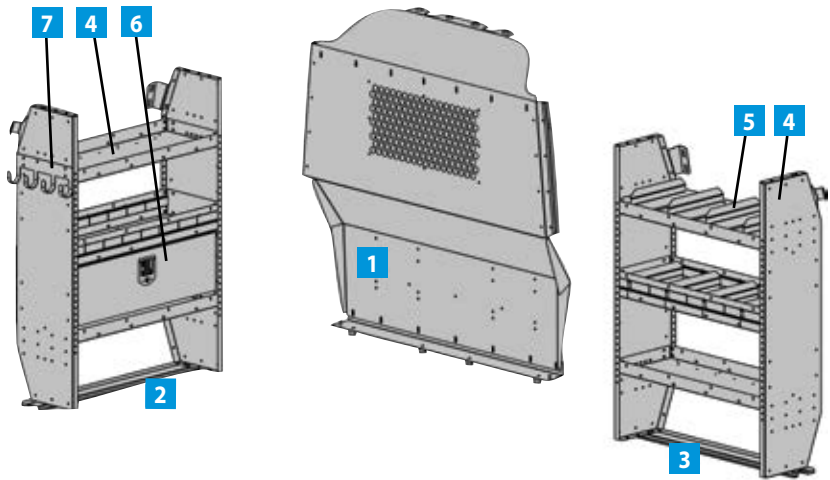
**5099
ELECTRICAL PACKAGE
14" ADSERIES SHELVING
City Express**

ITEM	MODEL	DESCRIPTION	QTY
1	P2NV2S	Steel Partition, NV200	1
2	RK67NV2-SS	Rail Kit-NV200 streetside	1
3	RKNV2-CS	Rail Kit-NV200 curbside	1
4	AD32FP	ADseries Shelf 32"	2
5	TA1WAD	Four Hook Bar	2
6	SBIN060614	6" Snap-in Bin	8
7	DC6	6" Drawer Component	3
8	DC12	12" Drawer Component	1
9	DV14C8	Divider kit of 8	1
10	AD28NV2	ADseries Shelf 28"	1
11	919	3 Drawer Combo	1
12	DK532	Door Kit	1
13	SRAILAD32	Bin Retention Rail 32"	1
14	BAGSRAIL	Fastener Bag	1



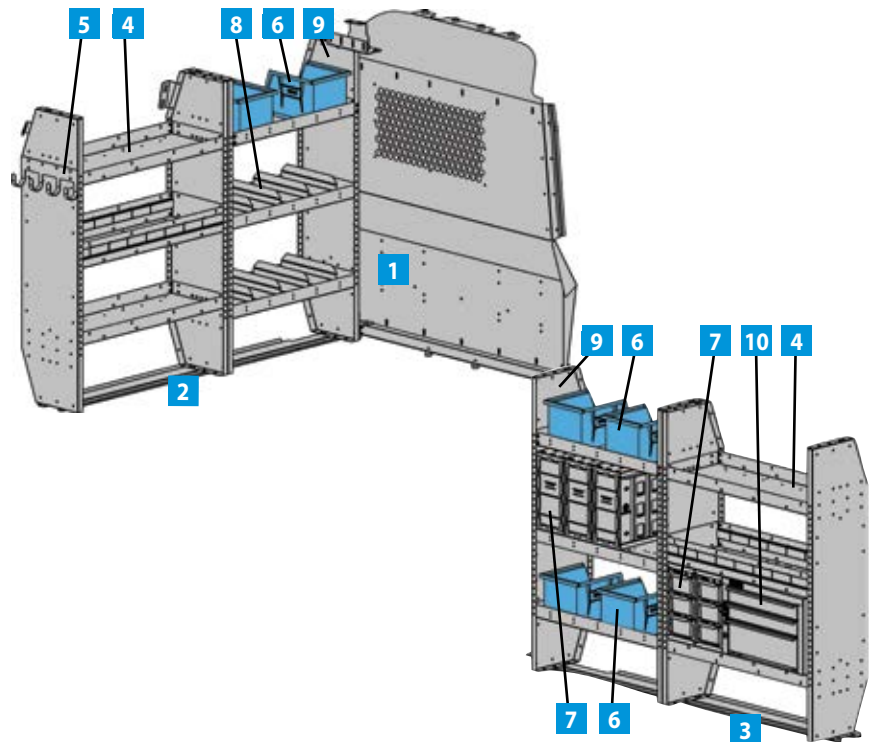
**5082
COMMERCIAL SHELVING PACKAGE
12" HD SERIES SHELVING
City Express**

ITEM	MODEL	DESCRIPTION	QTY
1	P2NV2S	Steel Partition, NV200	1
2	RKNV2-SS	Rail Kit-NV200 streetside	1
3	RKNV2-CS	Rail Kit-NV200 curbside	1
4	HD-32NV2	HD Shelf 12"x32"	2
5	DV12	Dividers	6
6	DK532	Door Kit	1
7	TA1	Four Hook Bar	1



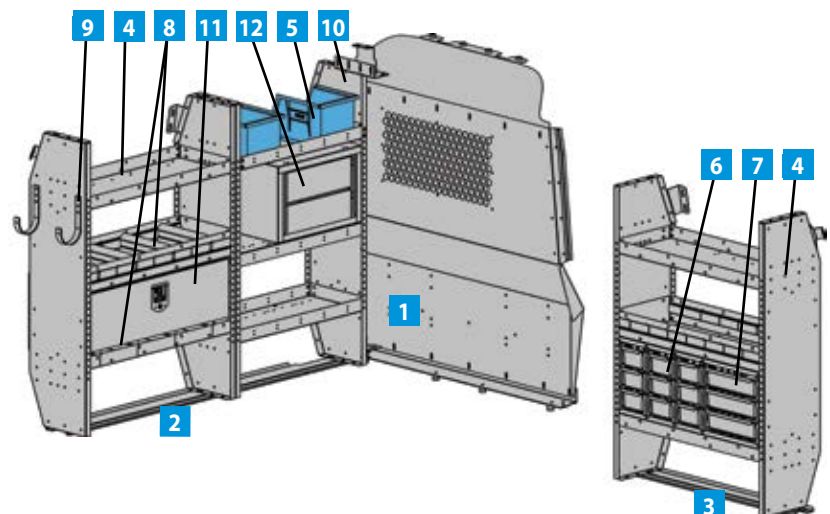
**5084
GENERAL SERVICE PACKAGE
12" HD SERIES SHELVING
City Express**

ITEM	MODEL	DESCRIPTION	QTY
1	P2NV2S	Steel Partition, NV200	1
2	RK67NV2-SS	Rail Kit-NV200 streetside	1
3	RK67NV2-CS	Rail Kit-NV200 curbside	1
4	HD-32NV2	HD Shelf 12"x32"	2
5	TA1	Four Hook Bar	1
6	28	Blue Bin	6
7	DC6	6" Drawer Component	5
8	DV12	Dividers	8
9	HD-28NV2	HD Shelf 12"x28"	2
10	919	3 Drawer Combo	1



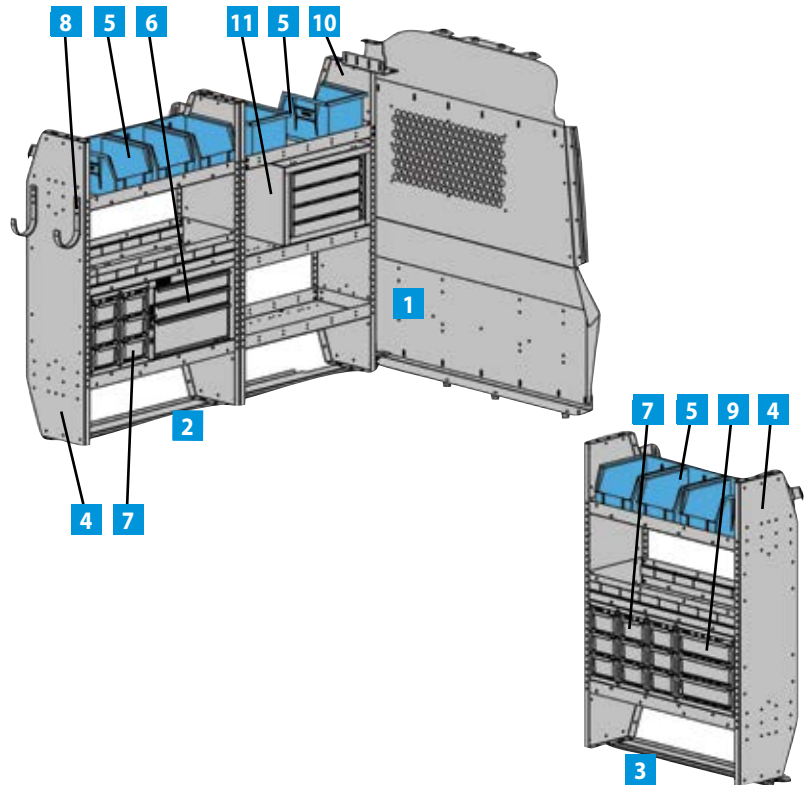
**5081
TELECOMMUNICATIONS PACKAGE
12" HD SERIES SHELVING
City Express**

ITEM	MODEL	DESCRIPTION	QTY
1	P2NV2S	Steel Partition, NV200	1
2	RK67NV2-SS	Rail Kit-NV200 streetside	1
3	RKNV2-CS	Rail Kit-NV200 curbside	1
4	HD-32NV2	HD Shelf 12"x32"	2
5	28	Blue Bin	2
6	DC6	6" Drawer Component	3
7	DC12	12" Drawer Component	1
8	DV12	Dividers	8
9	UH50	5" Hook	2
10	HD-28NV2	HD Shelf 12"x28"	1
11	DK532	Door Kit	1
12	19	2 Drawer Medium	1



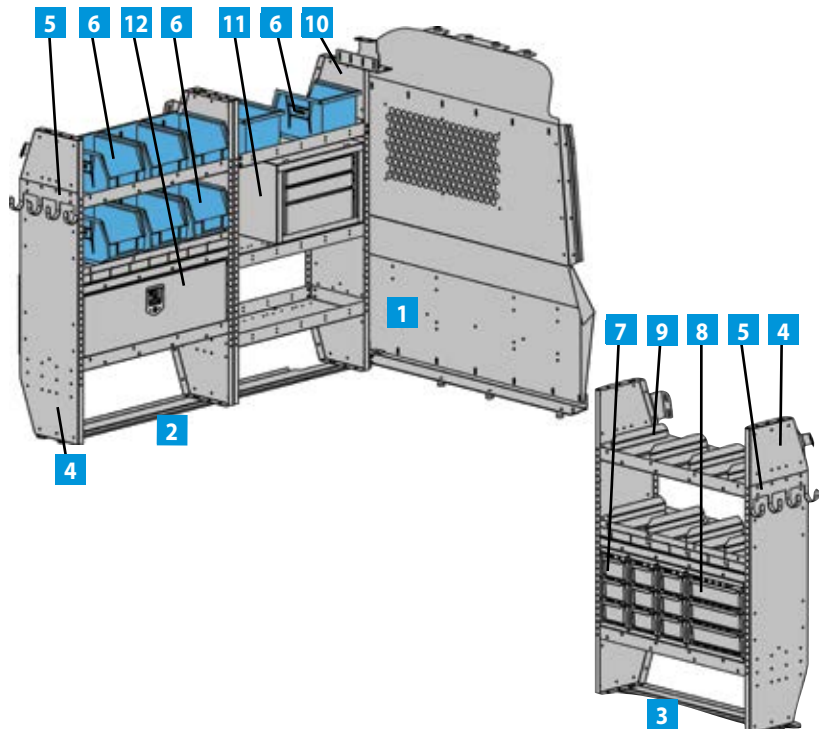
**5080
PLUMBING PACKAGE
12" HD SERIES SHELVING
City Express**

ITEM	MODEL	DESCRIPTION	QTY
1	P2NV2S	Steel Partition, NV200	1
2	RK67NV2-SS	Rail Kit-NV200 streetside	1
3	RKNV2-CS	Rail Kit-NV200 curbside	1
4	HD-32NV2	HD Shelf 12"x32"	2
5	28	Blue Bin	8
6	919	Drawer Unit	1
7	DC6	6" Drawer Component	5
8	UH50	5" Hook	2
9	DC12	12" Drawer Component	1
10	HD-28NV2	HD Shelf 12"x28	1
11	9	4 Drawer Shallow	1



**5083
ELECTRICAL PACKAGE
12" HD SERIES SHELVING
City Express**

ITEM	MODEL	DESCRIPTION	QTY
1	P2NV2S	Steel Partition, NV200	1
2	RK67NV2-SS	Rail Kit-NV200 streetside	1
3	RKNV2-CS	Rail Kit-NV200 curbside	1
4	HD-32NV2	HD Shelf 12"x32"	2
5	TA1	Four Hook Bar	2
6	28	Blue Bin	8
7	DC6	6" Drawer Component	3
8	DC12	12" Drawer Component	1
9	DV12	Dividers	8
10	HD-28NV2	HD Shelf 12"x28	1
11	919	3 Drawer Combo	1
12	DK532	Door Kit	1



Partitions

Accessories	7
City Express	7
Express/Savana	6

Racks

Accessories	20
Grip-Lock	20
Ladder Keeper	23
LoadsRite	19
Perimeter	23
Utility	22

Shelving

Adjustable	9
ADseries	8
Welded	10

Trade Packages - City Express

ADseries	36
Base Shelving	33
HDseries	38
Upgrades	34

Trade Packages - Express/Savana

Alarm/Locksmith	29
Auto Glass Repair	30
Cable TV	27
Electrical Contractor	28
General Contractor	24
General Service	25
PHVAC	26
Pro/Access	31

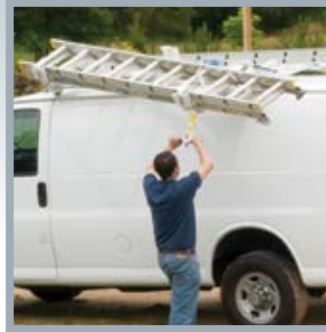
Blue Bins	17
Cabinet Modules	12
Drawer Units	12
Files - Driver Data Files	15
Files - Literature	15
Floor Drawers	16
Floor Mats	17
Glass Racks	30
Graphics - CCA	4
Liner Kits	32
Lock Box	15
Modules-Storage	14
Reel Holders	18
Tank Racks	17
Van Accessories	18
Window Screens	18
Workbench Modules	14

MODEL	PAGE	DESCRIPTION	MODEL	PAGE	DESCRIPTION	MODEL	PAGE	DESCRIPTION
ACT3	18	Aerosol Can Tray	JD48FP	9	48" Shelf Unit	SAJ-10	16	Stow-All/Sgl/Shallow
ACT4	18	Aerosol Can Tray	JD60FP	9	60" Shelf Unit	SAJ-20	16	Stow-All/Db/SHallow
AD28NV2	8	28" ADseries	KDRH1426	18	End Panel Reel Holder	SAJ-30	16	Stow-All/Triple/Shallow
AD32FP	8	32" ADseries	KDRH1432	18	End Panel Reel Holder	SAJ-40	16	Stow-All/Quad/Shallow
AD44FP	8	44" ADseries	KDRH1444	18	End Panel Reel Holder	SBIN060614	17	6" Plastic Bin
AD50FP	8	50"ADseries	KDRH1450	18	End Panel Reel Holder	SBIN120614	17	12" Plastic Bin
AFD181236	16	Aluminum Floor Drawer	KDRH2	18	Reel Holder	SBINDIV	17	Plastic Bin Divider
AFD241224	16	Aluminum Floor Drawer	KMB18	29	18" Key Machine Base	SF11218DC	11	DC Unit Shelf
AFD241236	16	Aluminum Floor Drawer	KMB36	29	36" Key Machine Base	SF11224DC	11	DC Unit Shelf
AGSCH2	30	Suction Cup Holder	LK8	23	Ladder Keeper	SF11236DC	11	DC Unit Shelf
AGSS24	30	Storage Station	LKB1	15	Aluminum Lock Box	SH12	23	Step Handle
AGTW4	30	Trim Weld Storage	LKX	19	Ladder Keeper Ext	SPT-4	13	SP Tote/Combo
AS12	23	Auxiliary Step	LR6100WCF	19	LoadsRite/Single-curbSide	SPT-4P	13	SP Tote/Poly
BH4	15	Binder Holder	LR6100WSF	19	LoadsRite/Single-streetside	SPT-4S	13	SP Tote/Steel
BR36212	17	Bin System	LR6200WCF	19	LoadsRite Add-on Kit - CS	SPT-5	13	SPT Steel Tray
BR76012	17	Bin System	LR6200WSF	19	LoadsRite Add-on Kit - SS	SPT-P	13	SPT Poly Tote
BRK14EPS	8	End Panel Bracket	LR6300WF	19	Double LoadsRite	SRAILAD26	17	Bin Retention Rail 26"
BS6VP	23	Light Mount	LR6400WCF	19	Combo LoadsRite - CS	SRAILAD32	17	Bin Retention Rail 32"
CB2	15	Two Book File	LR6400WSF	19	Combo LoadsRite - SS	SRAILAD44	17	Bin Retention Rail 44"
CB3	15	Three Book File	LRSLK612	19	Step Ladder Kit	SRAILAD50	17	Bin Retention Rail 50"
CB4	15	Utility Storage Box	LS3VP	23	Ladder Stop	SSK-BS	22	Side Stop Kit
CB5	15	Literature Holder	MD506	14	Module, Drawer Cabinet	SSK-BA	22	Side Stop Kit
CB7	15	Literature Holder	MD507	14	Module, Drawer Rack	SSK-WA	22	Side Stop Kit
CC17	23	Center Crossbar	MD508	14	Module, Workbench	SSK-WS	22	Side Stop Kit
CH1	15	DDF Cupholder	MD509	14	Module, Workbench	STP12G	18	Paint, Gray
CL1446D	12	Cabinet Locker	MD534	14	Module, Drawer Rack	STP12W	18	Paint, White
CL1446R	12	Cabinet Locker	MD608	14	Module, Workbench	STP12B	18	Paint, Black
CRH2	18	Cable Reel Holder	PA5-1	7	Plexiglas Panel	TA1	7,18	Hook Bar
DC6	13	Drawer Component	PA5-2	7	Plexiglas Panel	TA2	18	Hard Hat Holder
DC12	13	Drawer Component	PA5-3GMS	7	Plexiglas Kit	TA18	12	Propane Tank Cab.
DDF7	15	Driver Data File	PA5-6GMS	7	Plexiglas Kit	TA19	12	CO2 Tank Cabinet
DDF12	15	Driver Data File	PA7	7	Reflector Flare Kit	TA20	12	Mapp Gas Cabinet
DK3008	8	8" Door Kit	PA8	7	Fire Extinguisher	TH30	7	Freon Tank Holder
DK3010	8	10" Door Kit	PA9	7	First Aid Tray	TH50	7	Freon Tank Holder
DK4208	8	8" Door Kit	PA10	7	Practice Holder	TK10	16	Traction Kit
DK4210	8	10" Door Kit	P2NV2FW	7	Wire Partition-City Express	TK20	16	Traction Kit
DK4808	8	8" Door Kit	P2NV2S	7	Steel Partition-City Express	TK30	16	Traction Kit
DK4810	8	10" Door Kit	PDK1	7	Partition Door Kit	TK40	16	Traction Kit
DK532	8,11	32" Door Kit	RKA1	8	Rail Kit Adapter	UH10	18	Utility Hook
DK544	11	Door Kit	RKA3	8	Rail Kit Adapter	UH25	18	Utility Hook
DK550	11	Door Kit	RKA4	8	Rail Kit Adapter	UH50	18	Utility Hook
DS06212V	13	Drawer System	RKABRK1	8	Rail Kit Adapter	VMA36	18	Vise Mount Assm.
DS36012H	13	Drawer System	RKABRK2	8	Rail Kit Adapter	VP1	23	Perimeter Rack
DS46012	13	Drawer System	RKAWTR	8	Rail Kit Adapter	VPE1	23	Perimeter Rack Ext
DST21	18	Door Storage Tray	RKA919	8	Rail Kit Adapter	WKC1FSVGM	6	Wing Kit
DT21	18	Door Tray	RKFSVLWB	8	Rail System	WKC1FSVGM3	6	Wing Kit 3"
DTL21	18	Door Tray Lid	RKFSVXLWB	8	Rail System	WKC2FSVGM	6	Wing Kit
DTWL21	18	Door Tray w/Lid	RKNV2-CS	8	Rail Kit-City Express	WKC2FSVGM3	6	Wing Kit 3"
DV19	16	Divider/Stow-All	RKNV2-SS	8	Rail Kit-City Express	WKX1FSVGM	6	Wing Kit
DV14C1	8	Divider/Single	RK67NV2-CS	8	Rail Kit-City Express	WKX1FSVGM3	6	Wing Kit 3"
DV14C8	8	Divider/8 Pack	RK67NV2-SS	8	Rail Kit-City Express	WRH5	18	Wire Reel Holder
DVJ9	16	Divider/Stow-All	RR5	23	Cargo Rack Roller	WTR130250	17	Tank Rack
DVJ19	16	Divider/Stow-All	RS4	23	Ratchet Strap	WTR230150	17	Tank Rack
DV9	16	Divider/Stow-All	S1M1C1FSV	6	Partition FSV	WTR330	17	Tank Rack
DV44U	11	Divider/8 pack	S1M1HC1FSV	6	Partition FSV	WTR350	17	Tank Rack
DV44U1	11	Divider/upper	S1M2C1FSV	6	Partition FSV	WTR430	17	Tank Rack
DV44U4	11	Divider/4 pack	S1M2HC1FSV	6	Partition FSV	WTRTRAY	17	Top Tray
DV44L1	11	Divider/lower	S1M2C2FSV	6	Partition FSV	X1FSV	6	Partition
DV44L4	11	Divider/4 pack	S1M2HC2FSV	6	Partition FSV	1	12	Cabinet
HD-32FP	9	32" Shelf Unit	S2M2C2FSV	6	Partition FSV	1A	12	Shelf
HD-42FP	9	42" Shelf Unit	S2M2HC2FSV	6	Partition FSV	1BAR-B	22	Crossbar/Black
HD-52FP	9	52" Shelf Unit	SA-10	16	Stow-All/Single/Deep	1BAR-W	22	Crossbar/White
JD42FP	9	42" Shelf Unit	SA-20	16	Stow-All/Double/Deep	1BRS-B	22	Crossbar/Black
JD52FP	9	52" Shelf Unit	SA-40	16	Stow-All/Quad/Deep	1BRS-W	22	Crossbar/White

MODEL	PAGE	DESCRIPTION
2	13	Drawer Unit
2BAR-B	22	Utility Rack/Black
2BAR-W	22	Utility Rack/White
2BNV2	22	Utility Rack-City Express
2BRS-B	22	Utility Rack/Black
2BRS-W	22	Utility Rack/White
3	9	KD Shelf Rack
4A	18	Parts Tray
4B	18	Parts Tray
8	13	Drawer Unit
9	13	Drawer Unit
12	12	Cabinet
12A	12	End Panel
14	18	Step Stool
17A	15	Catalog File
18	10	Utility Shelf
19	13	Drawer Unit
25	13	Divider/#2
26	13	Divider/#8
27	13	Divider/#19
28	11	Plastic Blue Bin
33	9	KD Shelf Rack
33W	9	Shelf Rack
33WB	9	Shelf Rack w/bins
43	15	Catalog File
60-21	18	Window Screen
60-22	18	Window Screen
60-23	18	Window Screen
60-24	18	Window Screen
60-25	18	Window Screen
60-26	18	Window Screen
60-120	18	Window Screen-City Express
60-121	18	Window Screen-City Express
60-NV2	18	Window Screen-City Express
61-1	21	Grip-Lock Rack
61-NV2	21	Grip-Lock Rack-City Express
63-NV2	21	Grip-Lock Rack-City Express
63-1	21	Grip-Lock Rack
64-1	21	Grip-Lock Rack
68-3	21	Step Ladder Kit
69-4	21	Rack Extension Kit
70-1	21	Conduit Kit
70-2	21	Conduit Kit
71	27	Tie Down Kit
76	21	Rail Cover Kit
80-1	21,23	Conduit Carrier
80-2	21,23	Conduit Carrier
88-2	17	Workmat
88-9	17	Workmat
919	13	Drawer Unit
2251G	26	PHVAC Pkg
2252G	28	Elect. Pkg

MODEL	PAGE	DESCRIPTION
2253G	29	Alarm Pkg
2255G	29	Locksmith Pkg
2256G	24	Gen. Contr. Pkg
2257G	24	Gen. Contr. Pkg
2258G	27	Cable Pkg
2261G	26	PHVAC Pkg
2262G	28	Elect. Pkg
2940G	31	Access/Pro Pkg
2941G	31	Access/Pro Pkg
2942G	31	Access/Pro Pkg
3056G	32	Protecto-Van Liner
3057G	32	Protecto-Van Liner
3230G	27	Cable Pkg.
35325-G	8	32" Shelf ADseries
35327-G	8	44" Shelf ADseries
35328-G	8	50" Shelf ADseries
4135G	25	44 Series Pkg
4136G	25	44 Series Pkg
4138G	25	44 Series Pkg
4145G	30	Auto Glass Pkg
4317G	24	Gen Svc Pkg GM
4317GX	24	Gen Svc Pkg GM
4318G	26	PHVAC Pkg GM
4318GX	26	PHVAC Pkg GM
4319G	28	Electrical Pkg GM
4319GX	28	Electrical Pkg GM
4432	11	32" Welded Cabinet
4442	11	42" Welded Cabinet
4450	11	50" Welded Cabinet
45047	30	Burco Glass Rack
4959	33	Base Pkg 1 - City Express
4960	33	Base Pkg 2 - City Express
4961	33	Base Pkg 3 - City Express
4962	33	Base Pkg 4 - City Express
4964	34	Upgrade Pkg 1 - City Express
4965	34	Upgrade Pkg 2 - City Express
4966	35	Upgrade Pkg 3 - City Express
4967	35	Upgrade Pkg 4 - City Express
5080	39	Plumbing Pkg - City Express
5081	38	Telcom Pkg - City Express
5082	38	Shelving Pkg - City Express
5083	39	Electrical Pkg - City Express
5084	38	Gen Svc Pkg - City Express
5096	37	Plumbing Pkg - City Express
5097	36	Telcom Pkg - City Express
5098	36	Shelving Pkg - City Express
5099	37	Electrical Pkg - City Express
5100	36	Gen Svc Pkg - City Express
5384G	32	Liner Package
5384GX	32	Liner Package

ADRIAN STEEL COMPANY



QUALITY

- Our products are durable and reliable. Warranty claims are less than 1% of sales.
- Our warranty covers our products for three years or 36,000 miles.

INNOVATIVE PRODUCTS WITH FEATURES THAT MATTER

- Drawers that stay closed while in transit.
- ADseries truly adjustable shelving platform.
- LoadsRite and Grip-Lock ladder racks that load and unload the safe and right way.
- Interior ladder storage.
- Plug and Play accessories.
- Anti-slam drawer latches, and much more!



COMMITMENT

At Adrian Steel, we are committed to you beyond the upfit!

- A dedicated Customer Care Team at corporate headquarters.
- A network of highly qualified distributors to support you locally.
- Our commitment to provide the best cargo management solutions in North America.

EXPERIENCE

- **Over One Million vans upfitted**, and counting! It's a fact that an organized vehicle increases work flow efficiencies and reduces inventory damages.
- Recognized as a National Truck Equipment Association MVP.



SERVICE

- Adrian Steel Products can be purchased throughout North America at authorized Adrian Steel distributors.
- Adrian Steel Customer Service Representatives are available M-F, 8am - 5pm EST at **1-800-677-2726**.
- E-mail us at info@adriansteel.com with questions, comments and feedback.
- Visit AdrianSteel.com for the most up-to-date product information, distributor locator, product catalogs, videos and more.

PROUDLY DISTRIBUTED BY:



906 James Street
Adrian, Michigan 49221-3996
517-265-6194 Fax: 517-265-5834
Toll Free **800-677-2726**
adriansteel.com info@adriansteel.com