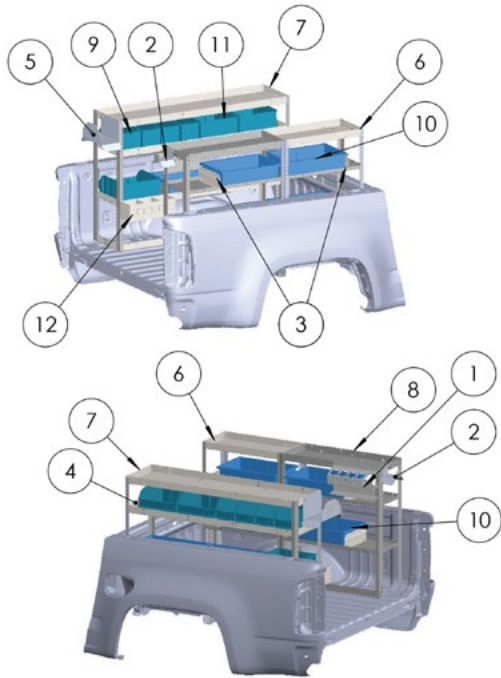


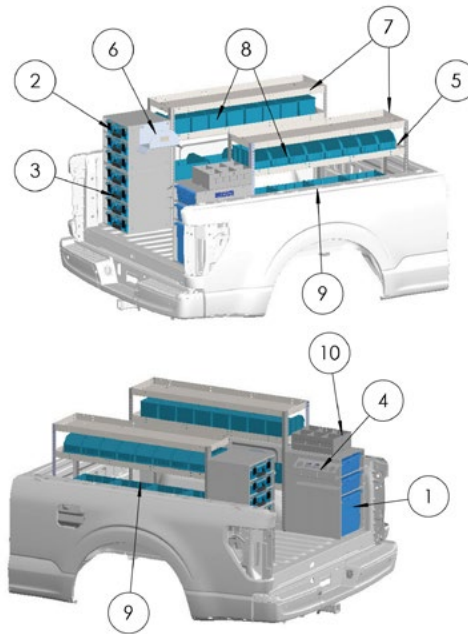
5' BED PLUMBING PACKAGE



PLBG-5TRK

Item	Part #	Description	Qty
1	CHS5	5-Slot Caulk Holder, 10 oz.	1
2	CORDHLDR	Cord Holder	1
3	DV12	12" Shelf Divider, Single	4
4	DV14	14" Shelf Divider, Single	2
5	HOSEHLDR	Hose Holder	1
6	KD123624C	3-Shelf Unit, 24"W x 12"D x 36"H	1
7	KD143652B	3-Shelf Unit, 52"W x 14"D x 36"H	1
8	MD522B	4-Shelf Unit, 36"W x 12"D x 36"H	1
9	SBIN060614	Portable Bin, 6"	4
10	SBIN120418	Portable Bin, 18"	6
12	SBIN120614	Portable Bin, 12"	3
13	66206	Solvent Tray, 14"	1

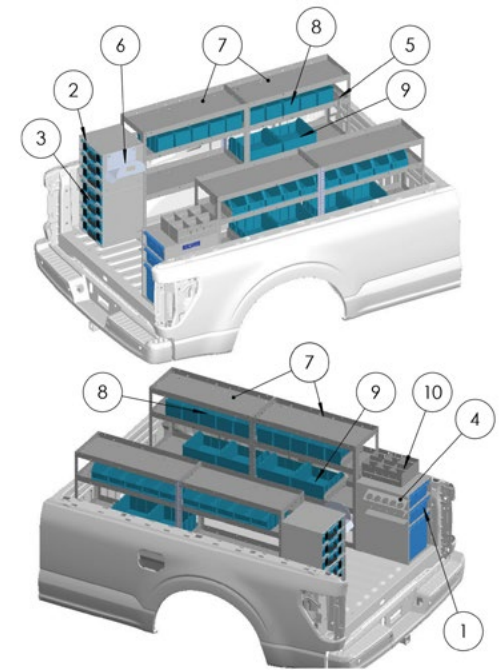
6'-8' BED PLUMBING PACKAGE



PLBG-6TRK

Item	Part #	Description	Qty
1	BC2S1L	3-Bin Cabinet w/ Bins	1
2	CHPPC3S	3-Case Holder w/ Bins	1
3	CHPPC4S	4-Case Holder w/ Bins	1
4	CHS5	5-Slot Caulk Holder, 10 oz.	1
5	DV14	14" Shelf Divider, Single	4
6	HOSEHLDR	Hose Holder	1
7	KD143652B	3-Shelf Unit, 52"W x 14"D x 36"H	2
8	SBIN060614	Portable Bin, 6"	16
9	SBIN120614	Portable Bin, 12"	8
10	66206	Solvent Tray, 14"	2

8'+ BED PLUMBING PACKAGE



PLBG-8TRK

Item	Part #	Description	Qty
1	BC2S1L	3-Bin Cabinet w/ Bins	1
2	CHPPC3S	3-Case Holder w/ Bins	1
3	CHPPC4S	4-Case Holder w/ Bins	1
4	CHS5	5-Slot Caulk Holder, 10 oz.	1
5	DV14	14" Shelf Divider, Single	7
6	HOSEHLDR	Hose Holder	1
7	KD143636B	3-Shelf Unit, 36"W x 14"D x 36"H	4
8	SBIN060614	Portable Bin, 6"	20
9	SBIN120614	Portable Bin, 12"	6
10	66206	Solvent Tray, 14"	2



Scan to find your local distributor today!

Questions?
Contact Us!

AdrianSteel.com
800.677.2726