

# FORD TRANSIT & TRANSIT CONNECT CARGO VAN EQUIPMENT



# ADRIAN STEEL®

Cargo Management Solutions for Commercial Vehicles



**TIME IS MONEY! GET ON THE ROAD WITH EVERYTHING YOU NEED!**

Adrian Steel has the storage products you need, with a nationwide distributor network for professional installation. This catalog will help you set up your work van with the equipment you need to get the job done. Start with a partition to keep your cargo in the cargo area. Choose the shelving and modules for the curb and street side that fit your business needs. Or, choose a pre-designed trade package to start from. Add the accessories you need to make your van more organized. Carry ladders or cargo on your roof? Check out the variety of ladder and utility racks available. The options are many, so if you don't know where to start contact your local Adrian Steel distributor for the expert advice you are looking for.

**\$500 or \$1000  
ON THE JOB ALLOWANCE\*  
ON PROMASTER**

**\$500  
ON THE JOB ALLOWANCE\*  
ON PROMASTER CITY**

**MAKE YOUR RAM CARGO VAN WORK READY WITH THE RAM ON THE JOB INCENTIVE PROGRAM.**

Get The Ultimate In Flexibility When You Take Upfit Cash And Apply It Towards Any Adrian Steel Upfit.

**WHAT ON THE JOB?**

RAM ON THE JOB is an incentive program designed specifically for business owners who use vehicles in the day-to-day operation of their business. This incentive is available through your local RAM dealership. Please see dealership for eligibility requirements.

**PRODUCT FLEXIBILITY!**

Create a work ready van, designed by you, for your specific cargo carrying needs! Organize the interior of your van to suit your trade with Adrian Steel's modular product line. Start with the essentials: a partition, shelving and a roof rack. Then get trade specific by adding drawer units, door kits, hook bars, floor drawers and more!

**SAVE TIME!**

Don't go searching around town for product you need for your RAM Cargo Van. Adrian Steel has a comprehensive line of cargo management solutions to get your van upfitted for your trade! You can leave the dealership with a cargo van that is ready to go to work!

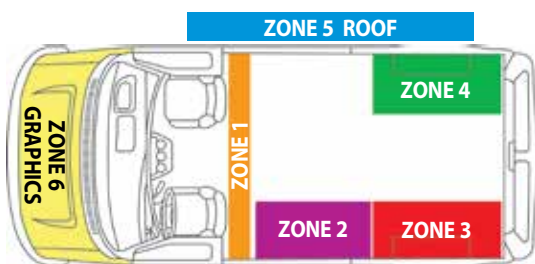
**PROGRAM TIMEFRAME & DETAILS\***

The RAM ON THE JOB COMMERCIAL VEHICLE PROGRAM runs through January 2, 2020. Program is not available in all areas and may not be compatible with other offers or incentive programs. Consult your RAM dealer for complete program details. For more information, please contact your local Adrian Steel Distributor.

**COMMERCIAL EXPERTS!**

Your RAM Dealership and Adrian Steel Distributor can guide you through the upfit process. Utilize their product expertise to get a complete, turn-key work vehicle.

\* Program subject to change without notice.



**Plan Your Van**

**ZONE 1 PARTITION**

- Choose partition style: solid or perforated for the ProMaster. Do you want a hinged door?
- Choose between a steel or wire partition for the ProMaster City.

**ZONES 2, 3, 4 CURBSIDE & STREETSIDE**

- Use layout diagrams to determine the amount of space available.
- Choose from a variety of shelving units and modules that will best organize the tools and equipment you need to carry.
- Or, choose a Work Ready Upfit, complete with a trade specific, pre-designed interior and custom graphics package.

**ZONE 5 ROOF**

- What do you need to carry?
- Choose from LoadsRite, Grip-Lock, and Utility racks.
- Add rack accessories including step ladder kits, ratchet straps, conduit carriers and more.

**ZONE 6 VEHICLE GRAPHICS**

- Stand out in the crowd!
- Vehicle graphics are the most cost effective form of advertising!

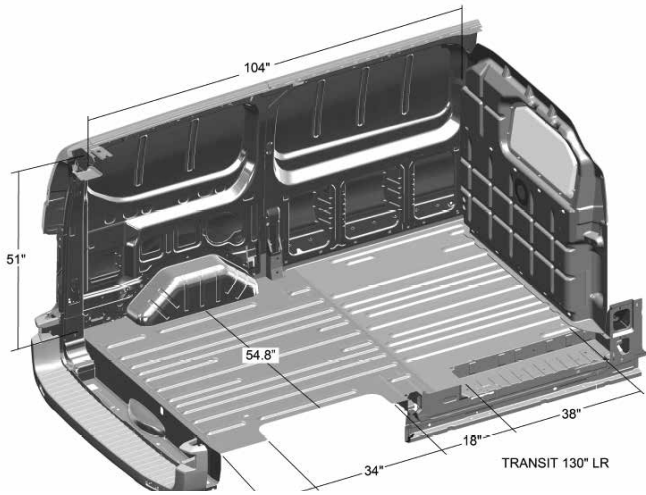
**ADDITIONAL STORAGE**

- Determine the space needed for specialty equipment.
- Add accessories to shelving and partition
- Hooks, drawers, files, screens, and more.

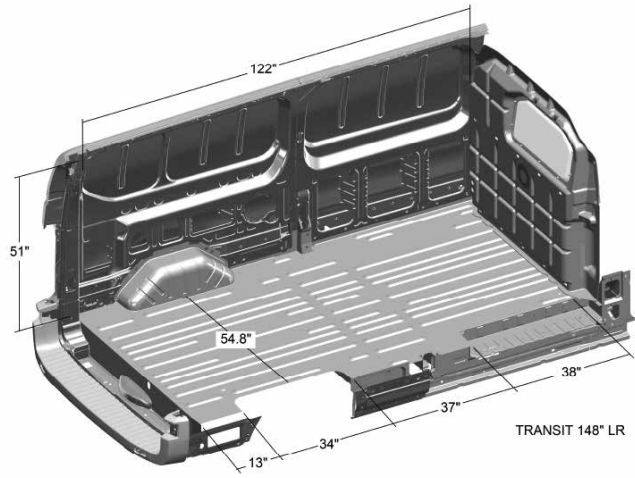
**Need some help?  
Contact your local distributor!  
They can provide a wealth of  
information about utilizing the  
cargo space in your work van.  
Find your local distributor online  
at [adriansteel.com](http://adriansteel.com).**



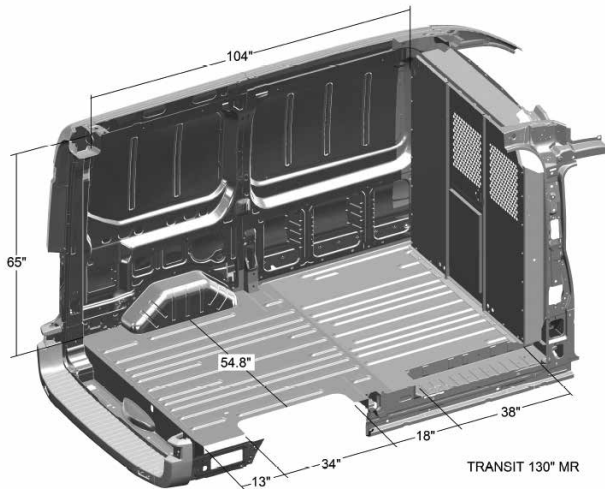
**Transit Low Roof 130" WB**



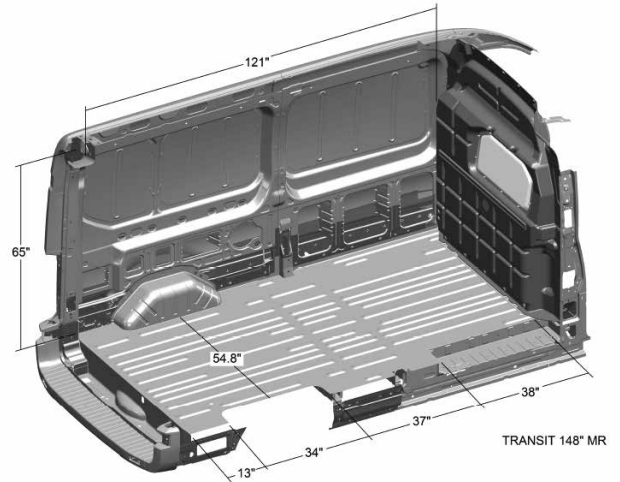
**Transit Low Roof 148" WB**



**Transit Mid Roof 130" WB**

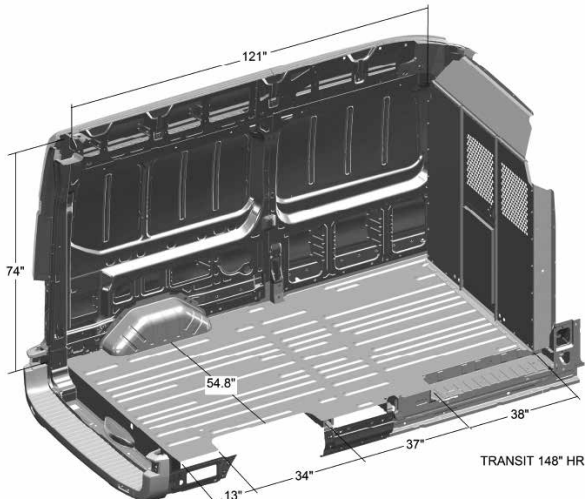


**Transit Mid Roof 148" WB**



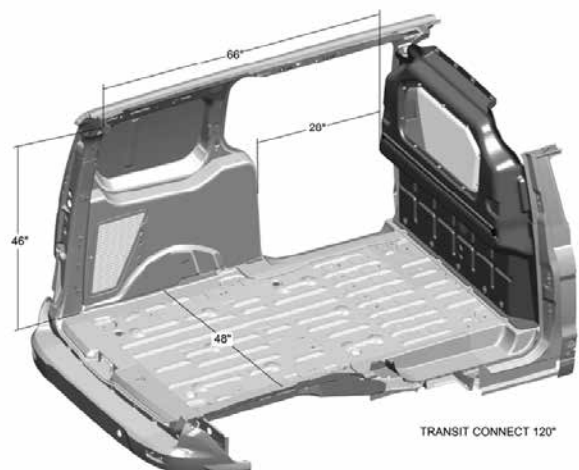
**Transit High Roof 148" WB**

Find Transit High Roof 148" Extended WB on our website, [www.adriansteel.com](http://www.adriansteel.com)>Cargo Vans>Vehicle Dimensions



**Transit Connect 120" WB**

Find Transit Connect 105" WB on our website, [www.adriansteel.com](http://www.adriansteel.com)>Cargo Vans>Vehicle Dimensions



Note: Dimensions for reference only. Measure your van or contact your distributor for your exact needs.

All illustrations, photos and specifications in this publication are based on the latest product information available at the time of content approval.

The right is reserved to make changes at any time, without notice, in materials, specifications and models, and also to discontinue models.

## FOR A MORE COMFORTABLE MOBILE OFFICE

### NEW COMPOSITE PARTITION FOR LOW ROOF TRANSIT

Your mobile office is now more comfortable with an Adrian Steel composite partition. Sound deadening reduces driver distractions. Climate control reduces vehicle idle time for warm up and cool down. Generous leg room for less stress behind the wheel. The integrated steel frame provides the same level of performance that you are accustomed to from Adrian Steel.



- Available with or without a clear poly rear-view window.
- Add hooks along the integrated AD rail.
- Features a mounting location by the door for a fire extinguisher (not included.)



**NEW**

**PARFTL** - Composite Partition w/ Visibility  
**PARFTL-NW** - Composite Partition

### STEEL S-M-C PARTITION FOR LOW ROOF TRANSIT



- Choose from solid or perforated panels.
- Partition mounts behind the B-pillar allowing for maximum cab comfort.
- Compliant with Transit's safety features. It does not interfere with the side-curtain airbag system or seatbelts.
- Center M panels can be fixed or hinged with a key-locking door. All hinged door partitions come standard with two 6" hinges, bulb seal and a slam latch. These features reduce vibration noise.
- The MEDIUM and HIGH ROOF Transit partition door has a 60" opening height.
- Partitions feature pre-drilled holes for adding accessories easily, and larger pass-through holes for routing wiring.
- Stamped steel panels on the LOW ROOF Transit reduce product weight without sacrificing strength.

LOW ROOF  
PARTITION

S PANEL

M PANEL

C PANEL

**INTRODUCING THE PARTITION THAT IS ALL ABOUT DRIVER COMFORT!**

There is a trend happening with cargo van owners in the market. They want a product that offers more value than the traditional steel partition provides. Something that quiets the cab area, provides more leg room and provides better climate control. Drivers that spend 8-12 hours a day working out of their mobile office want a more comfortable experience.

Adrian Steel's new line of composite partitions offers unparalleled comfort for the driver.

**Organize** – Partitions are great location to hang your cargo. Easily add safety items like fire extinguishers and first aid kits, or hooks to hang your extension cords or hoses. Additional accessory kits are available to customize your Adrian Steel composite partition even more.

**Sound Deadening**  
Reduce the harshness of the cargo noise entering the cab area. This reduces driver distractions and makes for a quieter environment to communicate when driving.

**Leg Room** – Full seat travel and a comfortable recline angle makes the composite partition our most comfortable line of partitions we sell.

**Climate Control**  
Quickly cool down or heat up the cab area of the cargo van, reduce idle time doing so and save fuel!

**PARFTM**

Composite Partition w/ Visibility

**PARFTM-NW**

Composite Partition

**PARFTH**

Composite Partition w/ Visibility

**PARFTH-NW**

Composite Partition



**PARFTM-NW**



**PARFTH**

**STEEL S-M-C PARTITION FOR MEDIUM & HIGH ROOF TRANSIT**



**MEDIUM ROOF PARTITION**



**HIGH ROOF PARTITION**

MODEL	DESCRIPTION
<b>LOW ROOF FIXED CENTER PANEL</b>	
S1M1C1FSV	Solid panels
S1M2C1FSV	Center panel perforated
S1M2C2FSV	Center and Curb panels perforated
S2M2C2FSV	All panels perforated
<b>LOW ROOF HINGED CENTER PANEL "DOOR"</b>	
S1M1HC1FSV	Solid panels
S1M2HC1FSV	Center panel perforated
S1M2HC2FSV	Center and Curb panels perforated
S2M2HC2FSV	All panels perforated
<b>MED/HIGH ROOF FIXED CENTER PANEL</b>	
S1M1C1PM	Solid panels
S1M2C2PM	Center and Curb panels perforated
<b>MED/HIGH ROOF HINGED CENTER PANEL "DOOR"</b>	
S1M1HC1PM	Solid panels
S1M2HC2PM	Center and Curb panels perforated
<b>PARTITION WING KITS</b>	
	Steel Partition Mounting Kit
WKC1FDTM	Steel Partition Mounting Kit
WKC1FDTH	Steel Partition Mounting Kit



**S1 - Solid**  
**S2 - Perforated**  
Mounts behind driver seat.

**M1 - Solid**  
**M2 - Perforated**  
Center panel. Also available as a hinged door.

**C1 - Solid**  
**C2 - Perforated**  
Mounts behind passenger seat.

Steel partitions are sold as panel kits and wing kits. Please see application chart to confirm the appropriate panel kit and wing kit for your vehicle.





**TA1 4-Hook Bar** 2" x 12" bar mounts to partition or shelving. Four welded hooks with 2" hanger opening.

**PDK1 Steel Partition Door Kit** converts M-Series fixed center panel into hinged door with keyed slam latch. Includes two 6" hinges, bulb seal and a slam latch that reduce vibration noise. (Not available for the Transit Connect)



**PA9 First Aid Tray** secures first aid box. Measures: 11"W, 4-1/2" H, 3-1/8" D

**PA7 Reflector Kit w/ Bracket** Includes reflector kit with metal pocket holder, I.C.C. approved.

**PA8 Fire Extinguisher** is a rechargeable, 2-1/2 lb. dry chemical extinguisher. Stops Class A, B and C fires. Complete with charge gauge and mounting bracket.



**PA10 File Holder** Organizes paperwork. Measures: 12"W, 7"H, 5"D.

**TH30 or TH50 Tank Holder** holds 30lb. or 50lb. tank to partition or other vertical surface.

**Partition Climate Control Kit** (not shown) install over the perforations of the partition to help with climate control in the cab.  
 Low roof: **PA5-1**: S & C panels, **PA5-2**: M panel.  
 Med & High roof: **PA5-SPR**: M&C panels.

## Partitions

Transit Connect

### NEW COMPOSITE PARTITION FOR TRANSIT CONNECT

Your Transit Connect mobile office is now more comfortable with an Adrian Steel composite partition. Sound deadening reduces driver distractions. Climate control reduces vehicle idle time for warm up and cool down. Generous leg room for less stress behind the wheel. The integrated steel frame provides the same level of performance that you are accustomed to from Adrian Steel.



**PARTC** - Composite Partition w/ Visibility

**PARTC-NW** - Composite Partition

- Better Climate Control (than perforated partitions.)
- Reduces noise from the cargo area.
- Available with or without a clear poly rear-view window.
- Add hooks along the integrated AD rail.
- Mounting location by the door for a fire extinguisher (not included.)

### STEEL PARTITION W/ VISIBILITY

The **P2TCS14** features all steel panels that safeguard the cab area against moving and shifting cargo. The recessed design allows for maximum adjustability of the front seats and provides storage space for a 6 foot step ladder in the back of the LWB Transit Connect. The perforated window allows for visibility of your cargo area and rear windows while the solid steel construction provides better climate control and sound deadening. The steel header and full perimeter wings provide optimal security. Fits 2014 and newer Transit Connect.



### WIRE PARTITION

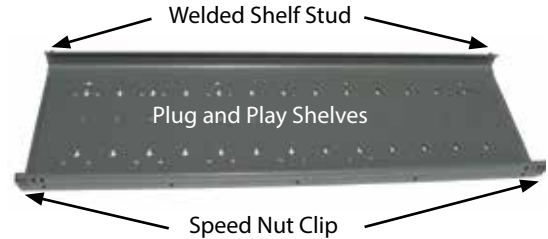
The **P2TCFW14** provides maximum visibility while safeguarding your van cab area against moving and shifting cargo. The recessed design allows for maximum adjustability of the front seats and provides storage space for a 6 foot step ladder in the back of the LWB Transit Connect. The **P2TCFW14** is lightweight and economical without sacrificing safety and security. Fits 2014 and newer Transit Connect.





**THE NEXT GENERATION OF CARGO MANAGEMENT SOLUTIONS**

Tools, equipment and cargo come in all shapes and sizes and until now, there hasn't been a shelving unit that is **truly adjustable**. The ADseries is the first of it's kind where, with only a screwdriver, you can simply remove the front shelf bolts and move the shelf where you need it. Shelves can be adjusted in one inch increments and provide the most flexible shelving solution available.



**TRULY ADJUSTABLE SHELVES**

All you need is a phillips head screwdriver! The unique shelf design features rear shelf studs that lock the shelves in place and speed nut clips that allow you to attach bolt on easily! Simply remove two bolts from the speed nut clips at the front lip of the shelf, tilt the shelf upwards to disengage the rear studs, move the shelf to your desired location, insert the rear shelf studs, reattach the bolts and you're done!



**ADAPTABLE INTERIOR**

Everyone likes to set their work van up their own way. The ADseries allows you position the shelving where you need it. Exclusive to the ADseries, the unique rail system enables you to reposition the shelving along the rail, increasing the available space for trade specific equipment. All of this is done without removing bolts, plugging holes and redrilling the van! The 6" knock out of the stamped steel end panels (available for the Low Roof Transit) provides a 48" floor space to accommodate 4'x 8' sheet goods (up to 22 sheets of 1/4" drywall or a combination of thicknesses).



**ADD ACCESSORIES**

Businesses change over time and your van interior should be able to change with your needs. Plug and Play shelves have prepunched holes that allow adding storage solutions easily! ADseries dividers simply snap in place, drawer units and door kits simply bolt into place. Many Adrian Steel accessories can be added to the ADseries shelving with the rail adapter kits and end panel brackets.

MODEL	SIZE	DESCRIPTION
AD32FP	32"W x 46"H x 14"D	fits low roof Transit
AD44FP	44"W x 46"H x 14"D	fits low roof Transit
AD50FP	50"W x 46"H x 14"D	fits low roof Transit
AD1226TC14	26"W x 44"H x 12"D	fits 14-on Transit Connect
AD1426TC14	26"W x 44"H x 14"D	fits 14-on Transit Connect
AD1232TC14	32"W x 44"H x 12"D	fits 14-on Transit Connect
AD1432TC14	32"W x 44"H x 14"D	fits 14-on Transit Connect
RK130FTS	130"WB Rail Kit,	Mounting Rail Kit
RK148FTS	148"WB Rail Kit	Mounting Rail Kit
RK130FTM	130"WB Rail Kit	Mounting Rail Kit
RK148FTM	148"WB Rail Kit	Mounting Rail Kit
RK148FTH	148"WB Rail Kit	Mounting Rail Kit
RKTC14	Mounting Rail Kit	fits 14-on Tr. Connect SWB, LWB
RKDTC14	Mounting Rail Kit	fits 14-on Tr. Connect LWB

MODEL	SIZE/DESCRIPTION
DV14C1	Shelf Divider
DV14C8	14" Shelf Dividers
DV12	Shelf Divider
DV14	Shelf Divider
DK26TC	Door Kit
DK32TC	Door Kit
DK3008	Door Kit
DK3010	Door Kit
DK4208	Door Kit w/ Open Back
DK4210	Door Kit w/ Open Back
DK4808	Door Kit
DK4810	Door Kit
BRK14EPS	End Panel Mounting Bracket
RKA1	Rail Kit Adapter/See list at right
RKA3	Rail Kit Adapter3/See list at right
RKA4	Rail Kit Adapter4/See list at right
RKABRK1	Single Adapter Bracket for Rail Kit
RKABRK2	Double Adapter Brackets for End Panel
RKAWTR	Welded Tank Rack Rail Adapter
RKA919	Drawer Riser Kit
35325-G	32" Long Shelf
35327-G	44" Long Shelf
35328-G	50" Long Shelf

**RKA1** – Rail Adapter Kit1  
Use with: CB2, CB3, CB4 (uses 2)

**RKA3** – Rail Adapter Kit3  
Use with: #1, #12, #2, #8, DC Units, 17A, CRH2, TA19, TA5

**RKA4** – Rail Adapter Kit4  
Use with: CL1446D/R, #40, KDRH2, KD Shelving Units, #33, #3, #33W, JD Shelving

**BRK14EPS** – End Panel Mounting Bracket  
Use with: 17A, CB5, 43, TA19, TA20, WRH5, UH10/25/50, PA9, PA8, ACT3/4, PA11, AGSCH2, PA7, TH30, TH50, TA5

**RKABRK1** – Used with TA19, TA20, TA5

Note: Rails are not included with the shelf units. Rail kits must be ordered separately.

Note: Shelves have the following weight ratings:

- Shelves positioned with the shelf lip facing up have a rating of 100 lbs. per shelf evenly distributed.
- Shelves positioned with the shelf lip facing down have a rating of 200 lbs. per shelf evenly distributed.



**THE NEXT GENERATION OF CARGO MANAGEMENT SOLUTIONS**

Tools, equipment and cargo come in all shapes and sizes and until now, there hasn't been a shelving unit that is *truly adjustable*. The ADseries is the first of it's kind where, with only a screwdriver, you can simply remove the front shelf bolts and move the shelf where you need it. Shelves can be adjusted in one inch increments and provide the most flexible shelving solution available.



MODEL	SIZE	DESCRIPTION
AD32FP	32"W x 46"H x 14"D	fits low roof Transit
AD44FP	44"W x 46"H x 14"D	fits low roof Transit
RKMM		Mounting Rail Kit



**HAD SHELVING FOR MEDIUM & HIGH ROOF TRANSIT**

The **HAD shelving units** feature two ADseries adjustable shelves in the center of the shelf unit. These two shelves feature a 2" lip and, with only a screwdriver, can be adjusted up or down on one inch increments. Includes two steel back panels and shelves have pre-drilled holes for adding dividers, drawer units and other plug and play accessories. Must be installed with a Rail Kit. See page 8 for the appropriate Rail Kit.

MODEL	OVERALL SIZE
HAD3259	32" x 59" x 14"
HAD4459	44" x 59" x 14"
HAD5059	50" x 59" x 14"

HD & JD Shelving

Transit Medium & High Roof



**HD SHELVING FOR MEDIUM & HIGH ROOF TRANSIT**

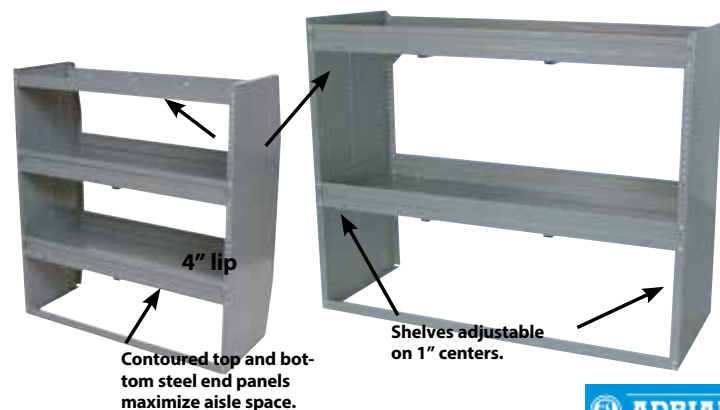
The **HD shelving units** feature KD adjustable shelves. The top and bottom shelf feature a 2" lip, the center two shelves feature a 4" lip. Each shelf can be adjusted up or down on one inch increments.

MODEL	OVERALL SIZE
HD3259	32" x 59" x 14"
HD4459	44" x 59" x 14"
HD5059	50" x 59" x 14"

**JD SERIES JUMBO DEEP SHELVING**

- Available in 18" and 24" depths.
  - Shelf gussets and floor rail provide extra strength.
  - 18" deep units contain one 14" and two 18" deep shelves.
  - 24" deep units have squared end panels and two shelves.
- See chart.

MODEL	OVERALL SIZE	OPEN SHELF SPACE
JD42FP	42"W x 46"H x 18"D	14.58 sq ft
JD52FP	52"W x 46"H x 18"D	18.56 sq ft
JD48FP	48"W x 48"H x 24"D	20.21 sq ft
JD60FP	60"W x 48"H x 24"D	20 sq ft



### WELDED SHELVING FOR LOW ROOF TRANSIT

The 44 Series Welded Shelving feature welded shelves, back panels and end panels. These fully welded shelf units allow for greater weight capacity and reduce cargo noise. Configure your Transit to your specific needs with drawer units, dividers and removable bins to customize your setup.



MODEL	DESCRIPTION
4432	Welded 3-Shelf Unit
4442	Welded 3-Shelf Unit
4450	Welded 3-Shelf Unit



Contoured top and bottom steel end panels maximize aisle space.

### ACCESSORIES FOR WELDED SHELVING

Upgrade the 44 Series with Dividers, DC Drawer Units, Lock & Latch drawer units, Door Kits and our popular #28 Parts bin!



Plug & Play units – add accessories in minutes!



#### ACCESSORIES

MODEL	DESCRIPTION
DV44U1	Top Shelf Divider (single)
DV44U4	Top shelf divider kit (4 pack)
DV44U	Top shelf divider kit (8 pack)
DV44L1	Lower shelf divider (single)
DV44L4	Lower shelf divider kit (4 pack)
DK532	Door Kit w/ Back Panel
DK544	Door Kit
DK550	Door Kit
28	Parts Bin

#### DRAWER COMPONENT SHELVES

- Create customized shelving modules with drawer component shelves.
- Built to bolt onto the DC6 and DC12, these shelves can provide additional storage space.
- The shelves are available in 18", 24" and 36" wide configurations.
- Feature a 1" shelf lip.

MODEL	DESCRIPTION	SHELF SIZE
SF11218DC	Shelf for DC Drawer Units 12"d x 18"w	12"D x 18"W
SF11224DC	Shelf for DC Drawer Units 12"d x 24"w	12"D x 24"W
SF11236DC	Shelf for DC Drawer Units 12"d x 24"w	12"D x 36"W





**STORAGE MODULES ARE USEFUL COMBINATIONS OF SHELVING AND STORAGE.**

When you need a variety of parts and tools to do the job, it is essential that you have them organized and easily accessible. Offering a variety of storage and workbench combinations, Adrian Steel Modules are the key to efficiency when working out of your van.



**MD507 SHELF AND DRAWER MODULE**

**MD507 INCLUDES:**

9	4-Drawer Unit w/ Lock
18	Welded 3-Shelf Unit w/ Dividers
19	2-Drawer Unit w/ Lock
40	Wheelwell Bin w/ Lock
43	3-Shelf Literature Rack

42"W x 46.5"H x 14"D



**MD506 SHELF AND DRAWER MODULE**

**MD506 INCLUDES:**

9	4-Drawer Unit w/ Lock
12	Adjustable Single Shelf Cabinet w/Lock (2)
19	2-Drawer Unit w/ Lock
40	Wheelwell Bin w/ Lock
43	3-Shelf Literature Rack

42"W x 46.5"H x 14"D

**MD534 CABINET AND DRAWER MODULE**

**MD534 INCLUDES:**

9	4-Drawer Unit w/ Lock
12	Adjustable Single Shelf Cabinet w/Lock (2)
19	2-Drawer Unit w/ Lock
33WB	Welded 4-Shelf Unit w/ Bins
40	Wheelwell Bin w/ Lock
43	3-Shelf Literature Rack

52"W x 46.5"H x 14"D



**MD508 WORKBENCH MODULE**

**MD508 INCLUDES:**

9	4-Drawer Unit w/ Lock
19	2-Drawer Unit w/ Lock
40	Wheelwell Bin w/ Lock
54	Workbench Top

42"W x 26"H x 14/18"D



**MD509 WORKBENCH MODULE**

**MD509 INCLUDES:**

8	3-Drawer Unit (2)
40	Wheelwell Bin w/ Lock
54	Workbench Top
CB2	2-Book File

42"W x 31"H x 14/18"D



**WORKBENCH MODULE FOR LOW, MEDIUM & HIGH ROOF**

The MD608 Workbench Module features 84" of work top surface perfect for any mobile workshop. Shown with optional 17A 6-Shelf Catalog File and floor Rail Kit. See package 5274TL.

**MD608 INCLUDES:**

KMB36	Key Machine Base
54	Workbench Top (2)
9	Four Drawer Shallow (2)
19	2-Drawer Unit w/ Lock (2)
40	Wheelwell Bin w/ Lock
14	Step Stool

Storage Modules are designed to fit over wheelwells of the low roof Transit van. Shelving and Modules must be installed on a Rail Kit. See page 6 for the appropriate Rail Kit. Visit AdrianSteel.com to see more Storage Modules.

**SPECIFIC JOBS DEMAND SPECIFIC STORAGE SOLUTIONS.**

Cabinet and Drawer Modules provide secure storage for large and small tools and parts. The modular design allows you to get what you need now and the ability to add more when you need it. Whatever the job demands, Adrian has the storage solutions to transport your gear safely and securely.



**Vented gas storage solutions**

**TANK CABINETS**

- Provide vented storage for Propane, Mapp gas or CO2 tanks.
- Cabinets feature a full door gasket with two snap latches for positive door closure.
- Interior cabinet cradle and retaining straps (foam yokes for TA19) secure tanks and prevent movement.
- Floor vent and tubing are included for exhausting fumes.
- Propane cabinets store 20, 30 or 40 lb. tanks.
- Mapp Gas Cabinets store 6 1/2" diameter tanks.
- CO2 Tank Cabinets store 20 lb. cylinders.

MODEL	DESCRIPTION	CABINET SIZE
TA18	Compressed Gas Tank Cabinet	14-3/4"W x 36"H x 13"D
TA19	Compressed Gas Tank Cabinet	13"W x 32"H x 12-1/2"D
TA20	Mapp Gas Cabinet	14"W x 26"H x 8"D

**SHELF CABINETS**

- Available in 12" and 18" front to rear lengths
- Can be used free standing or stacked with our lockable drawer units.
- Feature locking recessed tee-handles for secure storage and receive a durable gray powder coat finish.
- Cabinets feature an open side and can be combined for side-by-side use holding items up to 35" long.
- Optional end panel can be added to close off side when required.
- Include an adjustable shelf that can be removed
- Cabinets provide a solid surface to stack modular drawers, cabinets and bins.



**Folding T handles don't stick out into aisles.**

MODEL	DESCRIPTION	CABINET SIZE
1	Adjustable Single Shelf Cabinet w/Lock	18"W x 22"H x 18"L
12	Adjustable Single Shelf Cabinet w/Lock	18"W x 22"H x 12"L
1A	Cabinet Shelf	No. 1
12A	Cabinet End Panel	No.12



40

**40 WHEEL WELL COVER CABINET**

- Wheel well cover cabinets are designed with an open back and bottom.
- Serves as an enclosure for rear wheel wells.
- Provides a solid surface to stack modular drawers, cabinets and bins.
- Cabinets come with locking recessed tee-handles for secure storage.
- Finished with a durable gray powder coat finish.
- Cabinet size 42"W x 12.5"H x 14"L



CL1446D

CL1446R

**CABINET LOCKERS**

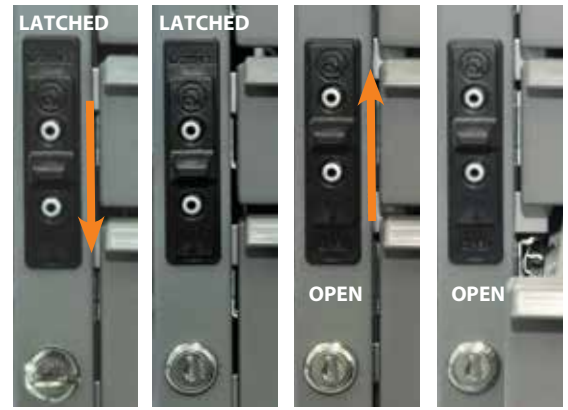
- Full-door Lockers feature a 46" high storage space with 3 removable shelves.
- Short-door Lockers feature a 33" high storage area and with 2 removable shelves.
- Locker doors are reversible for flexibility and feature locked recessed T-handles for security.
- Cabinet Lockers taper from 14" to 12" from front to back in depth at top and bottom to maximize aisle space.

MODEL	DESCRIPTION	CABINET SIZE
CL1446R	Adjustable 3-Shelf Cabinet w/ Lock	18"W x 46"H x 14"D
CL1446D	Adjustable 3-Shelf Cabinet w/ Lock	18"W x 46"H x 14"D





2.5" deep drawers come with ABS divided and removable trays perfect for small parts.

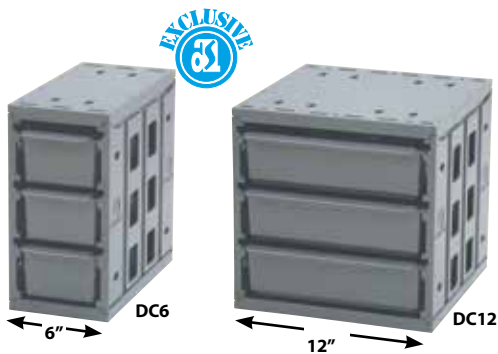


**DRAWER UNITS – LOCK ‘N LATCH SYSTEM**

- Our exclusive Lock ‘n Latch system provides a choice of drawers open, drawers retained or drawers locked position.
- Drawers are made of an engineered composite material for durability with heavy-duty drawer glides for support and smoother drawer operation.
- The new drawer glides significantly increase the ease of use when opening and closing the drawer units. They all but eliminate the rattle noise of the drawers when the driving the vehicle.
- Drawers and glides can be repositioned within cabinet for increased flexibility.
- Divide 5" deep drawers into compartments using optional metal "egg crate" dividers.

MODEL	DESCRIPTION	DRAWER SIZE (QTY.)
19	2-Drawer Unit w/ Lock	16"W x 5"D x 11-1/2"L (2)
919	3-Drawer Unit w/ Lock	16"W x 2-1/2"D x 11-1/2"L (2) 16"W x 5"D x 11-1/2"L (1)
9	4-Drawer Unit w/ Lock	16"W x 2-1/2"D x 11-1/2"L (4)
27	Drawer Divider Assembly	19 or 919 Drawer (1)

Steel outer cabinet measures 18"W x 12"H x 12"L.



**DRAWER COMPONENTS**

- Organize small parts with our flexible and rugged composite Drawer Components.
- Drawer retention stops prevent drawers from opening while the vehicle is in transit.
- Made of a hi-impact polymer for a quiet operation.
- Each drawer comes with 2 dividers and 7 divider slots.
- Interlocking feature allows up to 2 units stacked vertically or multiple units horizontally.
- Choose from Adrian Steel's pre-configured drawer systems or create your own drawer system from the base models.

MODEL	DESCRIPTION	OVERALL SIZE
DC6	3-Drawer Unit	6"W x 12"H x 12"D
DC12	3-Drawer Unit	12"W x 12"H x 12"D
DS06212V	6-Drawer Unit	12"W x 24"H x 12"D
DS36012H	9-Drawer Unit	18"W x 12"H x 12"D
DS46012	12-Drawer Unit	12"W x 24"H x 12"D

5lb. weight capacity per drawer.



#2 Cabinet Size  
18"W x 24"H x 18"L

#8 Cabinet Size  
18"W x 18"H x 12"L

**DRAWER UNITS – LOCKING HINGE AND HASP**

- Drawers are welded and have reinforced drawer slides for strength.
- Can be locked with a padlock (not included) for security.
- Divide drawers with optional metal "egg crate" dividers.

MODEL	DESCRIPTION	DRAWER SIZE (QTY.)
8	3-Drawer Unit	16"W x 5"D x 11-1/2"L (3)
2	4-Drawer Unit	16"W x 5"D x 17-1/2"(4)
25	Drawer Divider Assembly	No. 2 Drawer (1)
26	Drawer Divider Assembly	No. 8 Drawer (1)

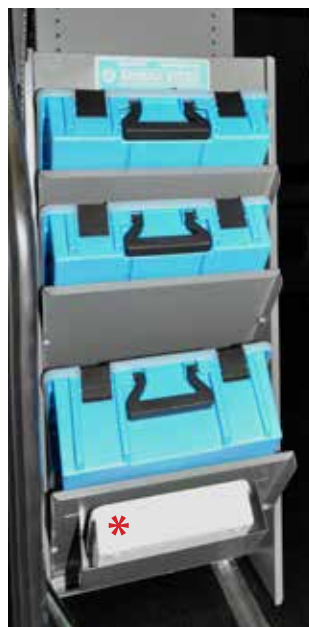
BE MORE EFFICIENT WITH INVENTORY THAT IS READY TO GO WHEN AND WHERE YOU ARE.

Versatile, lightweight, durable, convenient and mobile - these **Portable Parts Cases** are perfect for the tech who needs to carry small parts and inventory to the jobsite.

The impact resistant body can be organized with the included adjustable dividers. The see-through lids with snap latches make identifying contents easy.

**PPCS** 14" x 14" x 3.75"

**PPCL** 14" x 14" x 6.25"



**CH-EP**  
15.5" x 11.25" x 37.5"

\* **FIRST AID KIT NOT INCLUDED**



**CHPPC5SM**  
16.5" x 14" x 35"



Add a single **CH1514SGL 15" x 14" x 12"** or double **CH-1514DBL 15" x 14" x 12"** **Case Holder** to an existing shelf to house included cases that stay put while in transport.

INCORPORATE THE PORTABLE PARTS CASES INTO YOUR VAN WITH THE STORAGE OPTION THAT FITS YOUR NEED.

Three different **Case Holder** options give you the ability to house multiple Portable Parts Cases near the vehicle door for easy access to grab-and-go. The **CH-EP** and **CHPPC5SM** include a tray that holds an optional first aid kit and feature slanted shelves.

The **CHPPC4S** includes four PPCS cases and each shelf has a retaining lip to keep cases in place.



**CHPPC4S**  
14.5" x 11.5" x 18"



**A CENTER CONSOLE DESK KEEPS ELECTRONICS SECURE AND OUT OF SIGHT.**

Designed to be mounted in the cab, between the front seats.



**Tech Desk Console for Ford Transit**

- Designed to mount between the front seats.
- 2 USB Ports.
- Non-Slip lid tray to keep items from falling off during transit.
- Internal Organization.
- Lockable Lid.
- Interior LED lights.

**TDC6 Tech Desk Console**

Fits Ford Transit



**Center Console Desk for Ford Transit**

- Designed to mount between the front seats.
- Rugged steel construction with a hinged worktop and key locking paddle handle.
- Convenient lid mounted clip holds papers in place on the writing surface.
- Center Console Desks mount securely to the vehicle floor, and can be removed for service.
- Measures 6.7" W, 18.3" H, 22.3" D

**CCD6 Center Console**

Fits Ford Transit

**CCDHF6 Center Console Hanging File**

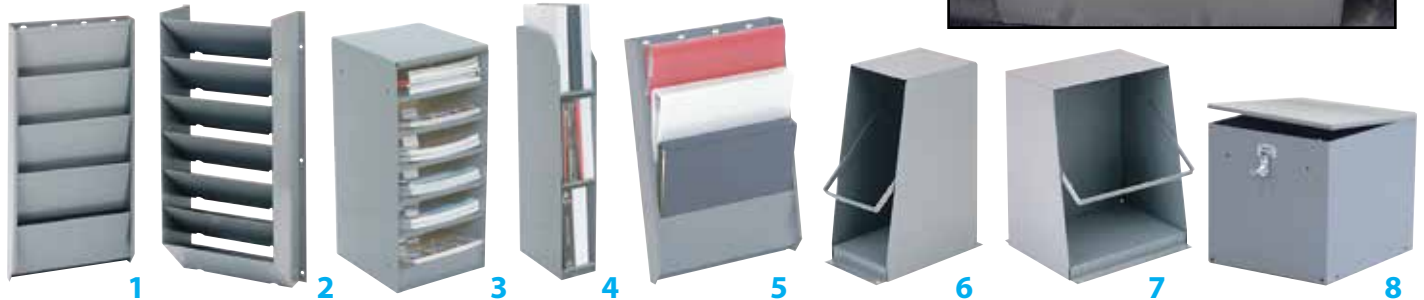
**ALUMINUM LOCK BOX**

- Stores valuable tools and paperwork.
- Gas shock safely opens and closes the large lid.
- The large lock will accommodate a padlock or hockey puck style lock (not included.)
- Designed to mount on the van floor facing out the side or rear doors.
- Aluminum construction with powder coat black paint.



**LKB1 Lock Box**  
20" W, 14.5" H, 25" D

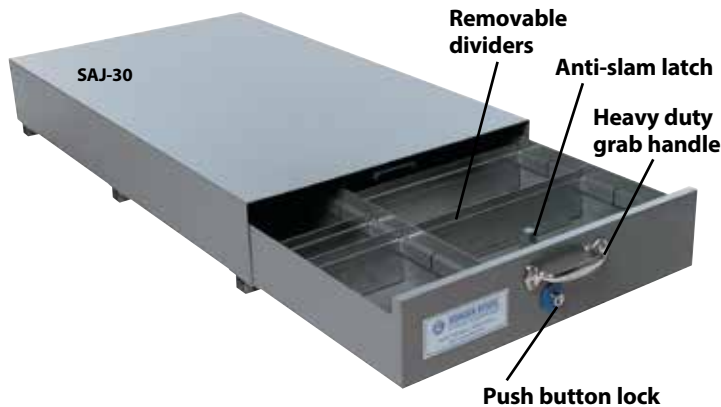
**LITERATURE FILES**



- 1: CB5 5-Slot Literature Rack** Mount on partition or other vertical surface. 2-1/2" deep pockets. Overall size: 12"W, 24"H, 2-1/2"D.
- 2: CB7 7-Slot Literature Rack** Mount on partition or other vertical surface. 6-3/4" deep pockets. Overall size: 14-3/4"W, 28-7/8"H, 7"D.
- 3: 17A 6-Shelf Catalog File** Designed for catalogs but also serves to store a variety of materials between the 3" shelf spacings. Overall size: 11"W, 24"H, 12"D.
- 4: 43 3-Shelf Literature Rack** Fits in narrow spaces. It has three tilted shelves. Perfect for binders and catalogs. Overall size: 6" W, 34" H, 12" D.

- 5: BH4 4-Slot Literature Rack** Designed to mount on partition or almost any vertical surface. Excellent for binders. Each pocket is 2 1/2" deep. Overall size: 12-3/4" W, 19-1/2" H, 2-1/2" D.
- 6: CB2 2-Book File** Mounts on the floor between front seats and partition. Holds folders 12"H x 10-1/2"D. Overall size: 6"W, 14"H, 12"D.
- 7: CB3 3-Book File** Mounts on cabinet tops or on the floor. Multiple units can be flush-mounted. Holds folders 12"H x 10-1/2"D. Overall size: 10-3/4"W, 14"H, 12"D.
- 8: CB4 Utility Box** Stores a variety of printed material. Also suitable for keeping tools, safety glasses, gloves and other items. Hinged lid. Overall size: 12"W, 12"H, 14"D.

**ADRIAN'S FLOOR DRAWER IS THE FINEST FLOOR STORAGE UNIT YOU CAN BUY.**



- 14 Gauge steel outer cabinets are constructed with top channel cross support members for strength and rigidity.
- Drawers are constructed with double sidewalls to prevent bowing and to accommodate items up to 48" in length.
- The anti-slam latch stops drawers from completely closing without positive latch activation.
- Heavy-duty grab handle and push button lock allows for comfortable, one-handed drawer operation.
- Durable powder coat finish will provide years of rugged service.
- Easy glide drawers with full width recessed conveyor roller at front and hardened steel roller bearings at rear.
- Install at rear or side doors, and units can be stacked.



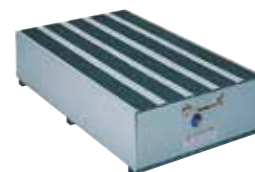
**FLOOR DRAWER DEEP SERIES**

MODEL	DESCRIPTION	CABINET SIZE	DRAWER SIZE	FLOOR DRAWER TRACTION KIT	DIVIDER (QTY.)
SA-10	Single Compartment Floor Drawer	10"W x 12"H x 51-1/2"D	9-5/8"W x 8-1/2"H x 48-1/2"D	TK10	DV9(5)
SA-20	Single Compartment Floor Drawer	20"W x 12"H x 51-1/2"D	19-5/8"W x 8-1/2"H x 48-1/2"D	TK20	DV19(5)
SA-40	Triple Compartment Floor Drawer	40"W x 12"H x 51-1/2"D	9-5/8"W x 8-1/2"H x 48-1/2"D (2) 19-5/8"W x 8-1/2"H x 48-1/2"D	TK40	DV9(10) DV19(5)



**FLOOR DRAWER SHALLOW SERIES** Floor Drawer quality in a lower profile

MODEL	DESCRIPTION	CABINET SIZE	DRAWER SIZE	FLOOR DRAWER TRACTION KIT	DIVIDER (QTY.)
SAJ-10	Single Compartment Floor Drawer	10"W x 8-1/2"H x 51-1/2"D	9-5/8"W x 5-1/4"H x 48-1/2"D	TK10	DVJ9(5)
SAJ-20	Single Compartment Floor Drawer	20"W x 8-1/2"H x 51-1/2"D	19-5/8"W x 5-1/4"H x 48-1/2"D	TK20	DVJ19(5)
SAJ-30	Double Compartment Floor Drawer	30"W x 8-1/2"H x 51-1/2"D	9-5/8"W x 5-1/4"H x 48-1/2"D 19-5/8"W x 5-1/4"H x 48-1/2"D	TK30	DVJ9(5)
SAJ-40	Triple Compartment Floor Drawer	40"W x 8-1/2"H x 51-1/2"D	9-5/8"W x 5-1/4"H x 48-1/2"D (2)	TK40	DVJ9(10)

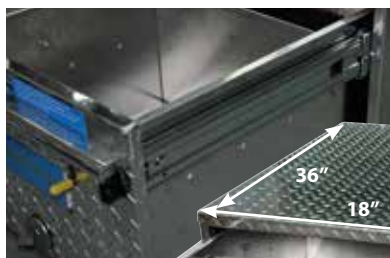


**Floor Drawer Traction Kits** are available to provide a positive friction surface for better footing. Traction Kits are 4" wide, self-adhesive strips.

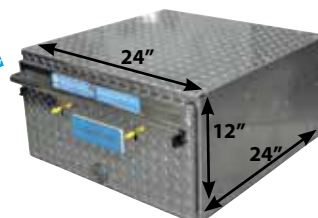
**Floor Drawer Dividers** are available and are sold individually.

**FLOOR DRAWERS**

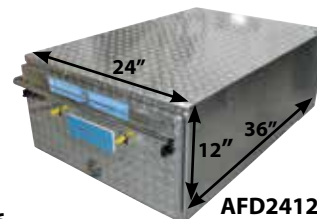
- Adrian Steel exclusive Anti-Slam latch keeps drawer from closing without positive latch activation. The only aluminum drawer in the industry with this feature!
- An automotive grade lock keeps expensive cargo secure and the adjustable divider helps keep contents segmented.
- The integral latch keeps the drawer open when you are on an incline and closed when you're done!
- Heavy duty grab handles and ball bearing slides allow the drawer to open and close with ease.
- Can be stacked to utilize large cubic storage areas.
- 24" deep units have a weight capacity of 350 lbs. and the 36" deep have a 325 lb. weight capacity.



**AFD181236**  
weight 52lbs.



**AFD241224**  
weight 46lbs.



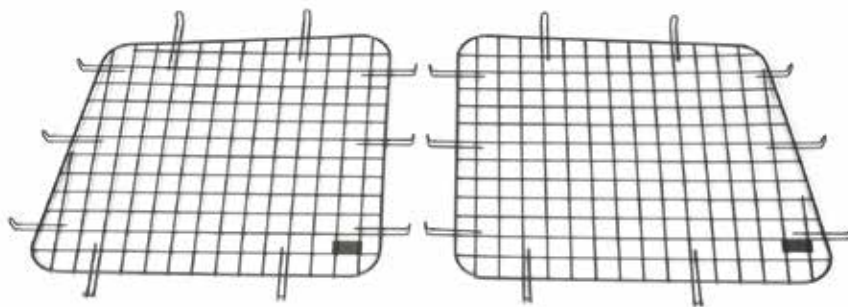
**AFD241236**  
weight 60lbs.

**REEL HOLDERS**



- 1: CRH2 Cable Reel Holder** features a durable frame, two steel shafts that holds up to a 15-1/2" diameter reel by 14" wide. Overall size: 19-1/8" W, 16" D, 44-7/8" H
- 2: KDRH2 2-Bar Wire Reel Holder** holds large spools up to 16" wide and 18" in diameter. Spools nest on conveyor rollers. Includes tie-down chains with neoprene covers. Overall size: 18" W, 46" H, 18" D
- 3: WRH5 5-Bar Spool Holder** Five removable bars hold wire spools up to 6" in diameter. Reel Holder mounts to shelf ends or any vertical surface. Overall size: 12" W, 25" H, 4" D
- 4: End Panel Reel Holder Bar** mounts between **ADseries** shelf end panels for easy access to spools of cable and wire.  
**KDRH1426** - Wire Reel Holder  
**KDRH1432** - Wire Reel Holder  
**KDRH1444** - Wire Reel Holder  
**KDRH1450** - Wire Reel Holder

**WIRE WINDOW SCREENS**



**Wire Window Screens** add security to cargo area windows. Contoured to fit the window and feature a non-glare gray powder coat finish.

**Transit Low Roof:**

- 60-134** Passenger Side Rear Door Security Screen
- 60-135** Driver Side Rear Door Security Screen
- 60-138** Passenger Side Sliding Door Security Screen
- 60-140** Passenger Side Door Security Screen
- 60-141** Passenger Side Door Security Screen
- 60-TRLHDRD** Passenger Side Hinged & Rear Doors Security Screen Kit
- 60-TRLRDR** Rear Doors Security Screen Kit
- 60-TRLSDR** Passenger Side Sliding & Rear Doors Security Screen Kit

**Transit Mid & High Roof**

- 60-132** Passenger Side Rear Door Security Screen
- 60-133** Driver Side Rear Door Security Screen
- 60-136** Passenger Side Sliding Door Security Screen
- 60-137** Driver Side Sliding Door Security Screen
- 60-TRMHRDR** Rear Doors Security Screen Kit
- 60-TRMHSDR** Passenger Side Sliding & Rear Doors Security Screen Kit

**Transit Connect:**

- 60-TC14RB** Rear Doors Security Screen Kit
- 60-TCS14S** Sliding Doors Security Screen Kit
- 60-TCL14S** Sliding Doors Security Screen Kit



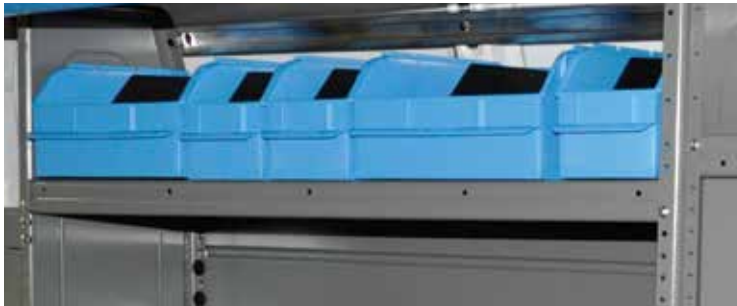
**ADRIAN'S BLUE BIN SYSTEM IS PERFECT FOR VISUAL INVENTORY MANAGEMENT.**

- 6" and 12" bins maximize the ADseries shelf space.
- The bins can nest on top of each other when at the job site or in the warehouse getting filled to go.
- Add a label to the front so you can find parts quickly
- Each bin can accommodate one optional divider.



SBIN120614

SBIN060614



MODEL	DESCRIPTION
SBIN060614	Snap In Bin
SBIN120614	Snap In Bin Divider
SBINDIV	Snap In Bin Divider

**BURCO S-SERIES GLASS RACKS FIT THE FORD TRANSIT AND ARE ADAPTABLE TO YOUR NEEDS.**



The 45047 Burco Glass Rack accommodates up to 11 windshields. Designed for modern windshields with six 14.5" and six 23.5" divider posts. The glass rack can transport both taller windshields and smaller glass panels safely and are ideal for loading and unloading glass from the top or side. Each post is surrounded with a protective foam cover and a twist and lock top to keep your glass safe and secure. Fits Ford Transit.

**SAFELY TRANSPORT REFRIGERANT TANKS IN AN ADRIAN STEEL TANK RACK.**



Vertically carry 30-lb. and 50-lb. refrigerant tanks securely in your van. Tank Racks can be installed for easy access from the side or rear van doors. Racks feature 14-gauge tubular steel frames welded for strength with sloped cradles and nylon straps. The optional **WTRTRAY** provides a storage area mounted on top of the welded tank racks.\* The tray can be mounted to any size tubular tank rack.

MODEL	DESCRIPTION
WTR130250	(1) 30 lb & (2) 50 lb tanks
WTR230150	(2) 30 lb & (1) 50 lb tanks
WTR330	(3) 30 lb tanks
WTR350	(3) 50 lb tanks
WTR430	(4) 30 lb tanks



\*Please confirm the location of the tank rack and tray, some interior locations will not accommodate the tray due to the contour of the vehicle.



1



2



3



4



5



6

**1: DST21 Door Storage Tray** offers convenient access to parts and tools.

Overall size: 20" W, 4" D, 8" H

**2: Aerosol Can Tray** secure cans for easy access.

**ACT3** - 3-Place Aerosol Can Holder

**ACT4** - 4-Place Aerosol Can Holder

**3: 14 Step Stool** has a wide base and is 12" high. Stool can be used with a workbench or as an auxiliary step. Top measures 10" x 20" One size.

**4: TA2 Hard Hat Holder** secures hat to partition or shelving.

**5: VMA36 Vise Mount Assembly** is floor mounted and telescopes out beyond side or rear cargo doors when fully opened. Measures 36" closed and 60" open.

**6: Touch-Up Paint** in spray cans match Steel-Cote™ finish. Three colors:

**STP12G** - Gray **STP12W** - White **STP12B** - Black

**7: Door Tray** comes with two dividers and has optional lid for containment.

**DT21** - Door Tray Overall size: 18" W, 4" D, 4" H

**DTL21** - Door Tray Lid for DT21 only

**DTWL21** - Door Tray w/ Latching Lid

**8: Hooks** organize a variety of cargo in easy-to-access locations.

**UH10** - Utility Hook

**UH25** - Utility Hook

**UH50** - Utility Hook

**TA1** - 4-hook bar

**9: Parts Tray** features a 2" deep shelf lip. Can be mounted to cabinet and drawer modules for added top storage.

**4A** - Parts Tray Overall size: 36" W, 12" D, 2" H

**4B** - Parts Tray Overall size: 18" W, 12" D, 2" H



**Storage for small parts** 7



8



9

# FINALLY!

## A LADDER RACK DESIGNED AROUND YOU... NOT YOUR VEHICLE.

Introducing the All-New Drop-Down Ladder Rack from Adrian Steel!



The new, simpler design makes it easier to install and adjust. The aluminum build of the rack reduces corrosion and keeps your ladder rack looking like new. It will accommodate a variety of ladders and safely secure them for transport.

Technicians that are 5'-4" or taller can safely load and unload the ladder because of the lower, more ergonomic load and unload height. Durability testing ensures that the rack will stand the test of time and perform as it should for many years.



**DDL61FTL** - Passenger Side Drop Down Ladder Rack

**DDL63FTL** - Double Drop Down Ladder Rack

**DDL64FTL2** - Drop Down Combo Ladder Rack

**DDL61FTL** - Passenger Side Drop Down Ladder Rack

**DDL63FTL** - Double Drop Down Ladder Rack

**DDL64FTL2** - Drop Down Combo Ladder Rack

**DDL61FTL2** - Passenger Side Drop Down Ladder Rack

**DDL63FTL2** - Double Drop Down Ladder Rack

**DDL64FTL2** - Drop Down Combo Ladder Rack

**DDL61FTL2** - Passenger Side Drop Down Ladder Rack

**DDL63FTL2** - Double Drop Down Ladder Rack

**DDL64FTL2** - Drop Down Combo Ladder Rack

**DDL61FTL2** - Passenger Side Drop Down Ladder Rack

**DDL63FTL2** - Double Drop Down Ladder Rack

**DDL64FTL2** - Drop Down Combo Ladder Rack

**DDL61FTL2** - Passenger Side Drop Down Ladder Rack

**DDL63FTL2** - Double Drop Down Ladder Rack

**DDL64FTL2** - Drop Down Combo Ladder Rack

**DDL61FTL2** - Passenger Side Drop Down Ladder Rack

**DDL63FTL2** - Double Drop Down Ladder Rack

**DDL64FTL2** - Drop Down Combo Ladder Rack

**DDL61FTL2** - Passenger Side Drop Down Ladder Rack

**DDL63FTL2** - Double Drop Down Ladder Rack

**DDL64FTL2** - Drop Down Combo Ladder Rack

**DDL61FTL2** - Passenger Side Drop Down Ladder Rack

**DDL63FTL2** - Double Drop Down Ladder Rack

**DDL64FTL2** - Drop Down Combo Ladder Rack

**DDL61FTL2** - Passenger Side Drop Down Ladder Rack

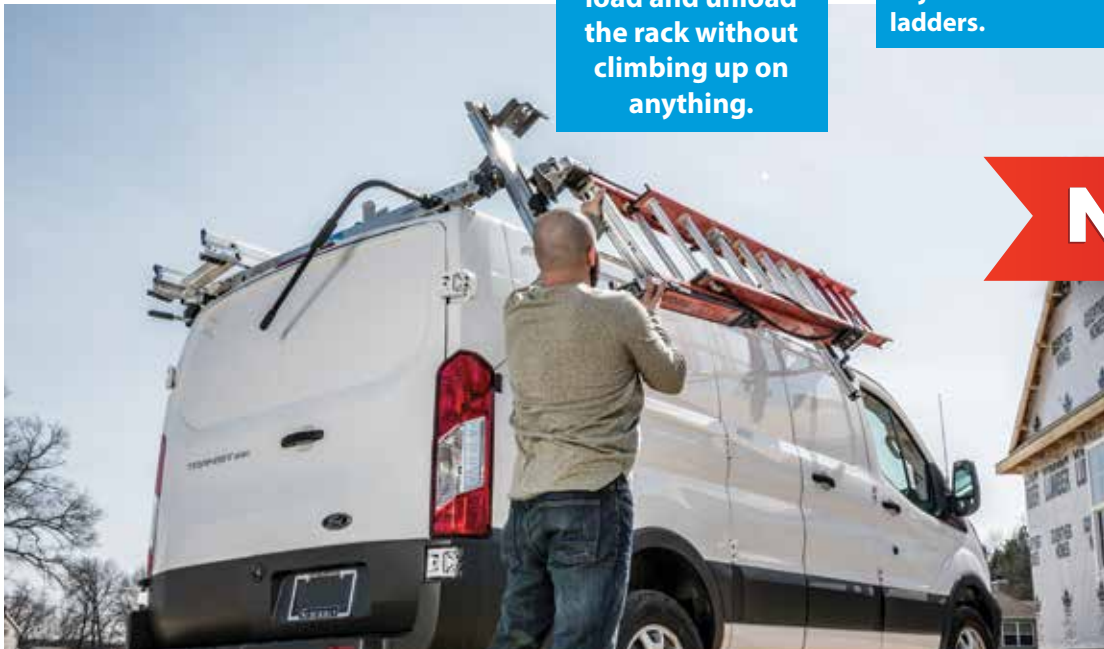
**DDL63FTL2** - Double Drop Down Ladder Rack

**DDL64FTL2** - Drop Down Combo Ladder Rack

Technicians that are 5'-4" or taller can easily load and unload the rack without climbing up on anything.

**EXCLUSIVE!**  
With the turn of a knob, you can quickly adjust the rack to fit a wide variety of ladders.

**NEW**



Standard rack accommodates 28' extension ladder and 10' step ladder – short step ladders will need optional step ladder kit and up to 32' extension ladder with extension ladder kit.

See it in action on [AdrianSteel.com](http://AdrianSteel.com)



**FINALLY!**

**A LADDER RACK DESIGNED AROUND YOU... NOT YOUR VEHICLE.**

Introducing the All-New Drop-Down Ladder Rack from Adrian Steel!



Our most user friendly ladder rack ever! Featuring the patent pending twist to adjust! The fastest way to adjust your rack to your ladder! The outboard design and two stage drop brings ladder down to an ergonomic load position where operators 5' 4" or taller can safely load and unload the ladder. The aluminum build of the rack reduces corrosion and keeps your ladder rack looking like new. Adrian Steel's Drop-Down Ladder Rack will accommodate a variety of ladders and safely secure them for transport.

Technicians that are 5'-4" or taller can easily load and unload the rack without climbing up on anything.



**EXCLUSIVE!**  
With the turn of a knob, you can quickly adjust the rack to fit a wide variety of ladders.

**Mid Roof**

**DDL61FTM** - Single, Transit Medium Roof

**DDL63FTM** - Double Drop Down Ladder Rack

**High Roof**

**DDL61FTH** - Single, Transit High Roof

**DDL63FTH** - Double Drop Down Ladder Rack

**Accessories**

**DDL61SLK2** - Adjustable Step Ladder Kit

**NEW**



We know different jobs require different ladders. The new Drop-Down ladder rack safely transports all different types of ladders. Extension ladders, step ladders and specialty ladders. Standard rack accommodates 28' extension ladder and 10' step ladder – short step ladders will need optional step ladder kit and up to 32' extension ladder with extension ladder kit.

**See it in action on [AdrianSteel.com](http://AdrianSteel.com)**

## ALL-NEW & COMPLETELY REDESIGNED ALUMINUM GRIP-LOCK RACK

Off-the-Roof, Angled Design Offers a Lower Reach Height than Traditional Grip-Lock Racks.

The innovative "tilt angle" design offers a lower reach height than traditional grip lock racks.



**NEW**

Technicians that are 5'-7" or taller can easily load and unload the rack without climbing up on anything.

Adrian Steel's completely redesigned grip-lock style ladder rack is designed to make your job easier when loading and unloading your ladders. The innovative "tilt angle" design offers a lower reach height than traditional grip lock style racks. Technicians that are 5'7" or taller can safely load and unload ladders without having to climb up on something.

The clamping mechanism secures and protects ladders when they are stowed or in transit. A padlock can be added for extra security. The natural aluminum finish reduces corrosion and helps preserve the integrity of the rack.

The all-new Grip-Lock Ladder Rack is an economical option that will look great and perform effortlessly for many years on your van!



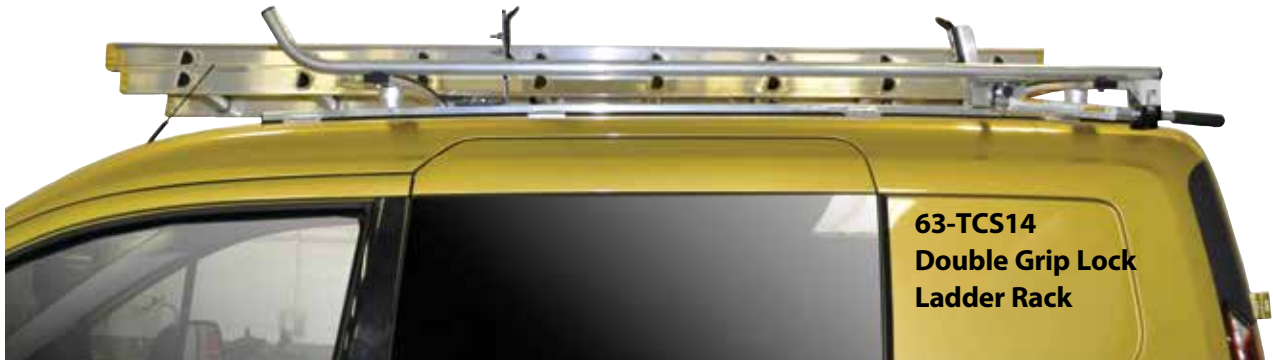
**61-GLFTL2** - Single Grip Lock Ladder Rack  
**63-GLFTL2** - Double Grip Lock Ladder Rack  
**GLSLKFSV** - Step Ladder Kit  
**70-1LR** - Conduit Kit w/ Round End Caps  
**70-2LR** - Conduit Kit w/ Round End Caps

**See it in action on [AdrianSteel.com](http://AdrianSteel.com)**



**GRIP YOUR LADDERS SECURELY WITH ADRIAN'S LOCKING STYLE LADDER RACKS.**

Adrian's Grip-Lock racks protect the sides and roof of your van during loading and unloading ladders. All Grip-Lock racks feature a lockable, gripping mechanism which firmly secures one or two ladders to the top of the van. Racks easily adjust for ladders of different sizes.



**63-TCS14  
Double Grip Lock  
Ladder Rack**

**TRANSIT CONNECT GRIP-LOCK RACK FEATURES AND BENEFITS**

- Heavy-Duty actuating arm firmly grips ladder rungs to prevent shifting of ladder on rack.
- Gripping mechanism is lockable.
- Composite extrusions on front and rear crossbows and uprights protect ladders.
- Rung grips easily adjust to accommodate different types of ladders.
- Features an all aluminum design with a natural aluminum finish.
- There are no straps to deal with, clamping of ladder is automatic.
- Accommodates 24 ft. extension ladder on the SWB and a 28 ft.\* extension ladder on the LWB.
- To carry a 6 ft. step ladder on the LWB only, order 1BTCGL14.

**2014 TRANSIT CONNECT GRIP-LOCK LADDER RACKS**

- |                 |                                     |
|-----------------|-------------------------------------|
| <b>61-TCS19</b> | <b>Single Grip Lock Ladder Rack</b> |
| <b>63-TCS19</b> | <b>Double Grip Lock Ladder Rack</b> |
| <b>61-TCL19</b> | <b>Single Grip Lock Ladder Rack</b> |
| <b>63-TCL19</b> | <b>Double Grip Lock Ladder Rack</b> |

**2014 TRANSIT CONNECT 2 BAR ALUMINUM UTILITY RACK (NOT SHOWN)**

- |                |                           |
|----------------|---------------------------|
| <b>2BTC19</b>  | <b>2-Bar Utility Rack</b> |
| <b>2BTCL19</b> | <b>2-Bar Utility Rack</b> |



**63-TCL19  
Double Grip-Lock on a  
LWB Transit Connect**

\*Note: This rack can accommodate 28 ft. extension ladders with extra length extending off the rear of the vehicle for balance. Check with local regulations regarding rear overhang of loads.

**ALUMINUM UTILITY RACK FOR TRANSIT LOW ROOF**

**LOW ROOF TRANSIT**



- This all aluminum rack is corrosion free! Available in white or black powder coat paint.
- The uprights are fully plastisoled to protect against wear and reduce ladder fatigue.
- Uprights feature many attachment points for securing cargo straps.
- The Rear Roller Bar eases the loading and unloading of the rack. The Rear Roller comes standard with the 2 and 3 Bar racks.
- Optional center bars support shorter lengths and provide additional support.
- Utilizes factory attachment points in roof so no drilling is needed.
- The Utility Rack rail system allows for 7 foot crossbar spacing.

MODEL	DESCRIPTION	COLOR
3BFT-B	3-Bar Utility Rack	Black
3BFT-W	3-Bar Utility Rack	White
2BFT-B	2-Bar Utility Rack	Black
2BFT-W	2-Bar Utility Rack	White
3BARRFT-B	3-Bar Utility Rack w/ Rear Roller	Black
3BARRFT-W	3-Bar Utility Rack w/ Rear Roller	White
2BARRFT-B	2-Bar Utility Rack w/ rear Roller	Black
2BARRFT-W	2-Bar Utility Rack w/ rear Roller	White
RRBFT-B	Rear Roller Assist	Black
RRBFT-W	Rear Roller Assist	White
1BARRFT-B	Center Cross Bow Kit	Black
1BARRFT-W	Center Cross Bow Kit	White
80-1	Conduit Kit	
80-2	Conduit Kit	





### LADDER KEEPER

- Designed to be loaded from outside the vehicle, the Ladder Keeper features a spring-loaded clamp that holds the ladder securely in place.
- Just set the top of the ladder in the front clamp bracket and push it forward until the bottom of the ladder sits in the rear clamp bracket. It allows quick and easy access to your ladder from outside of your vehicle.
- **LK8FT** fits 130" WB Transit, Low and Medium roof, and can carry up to a 6 ft. ladder.
- **LK8FT148** fits 148" WB Transit, Low, Medium and High roof, and can carry up to a 8 ft. ladder. (Does not fit 148EXT WB.)





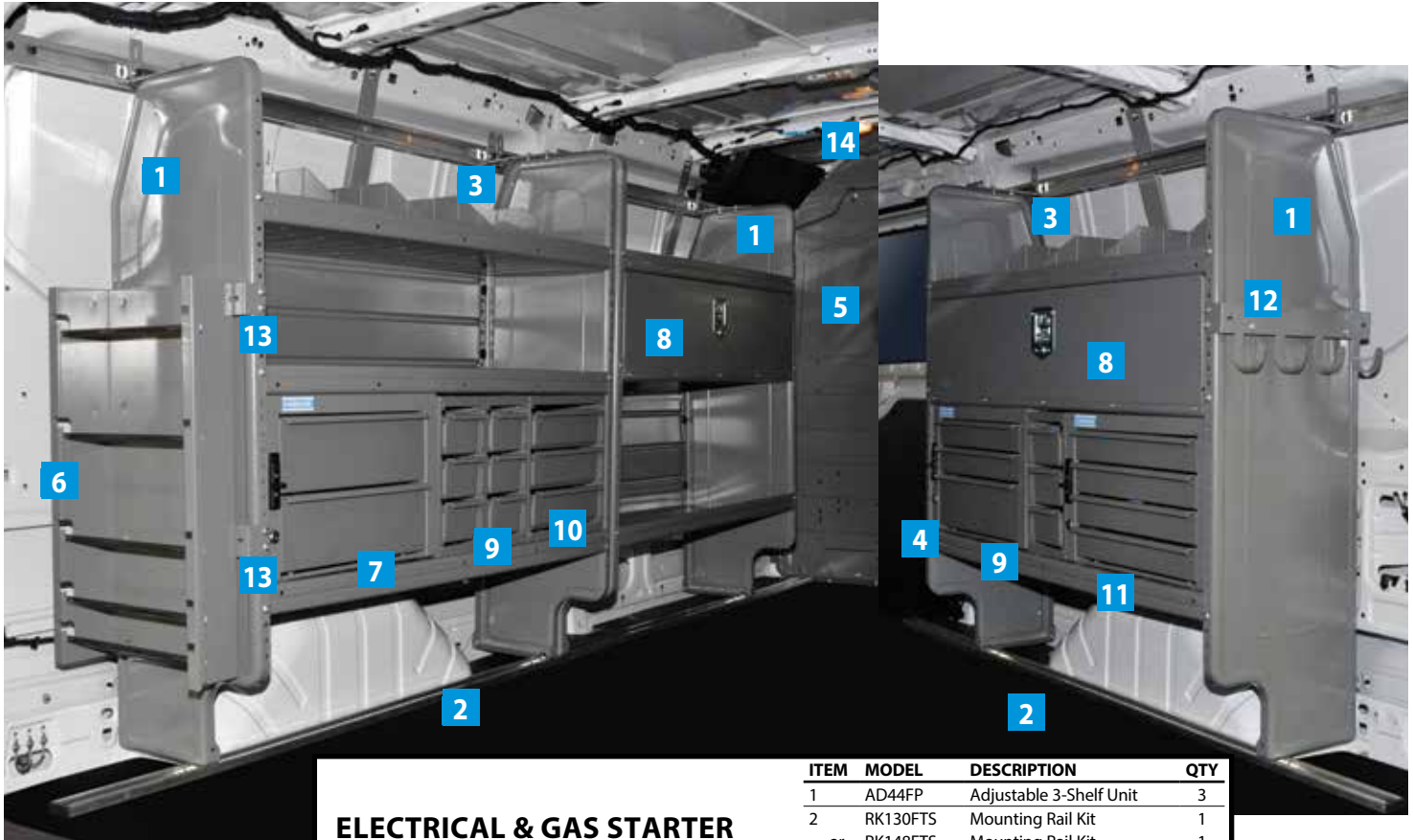
### INTERIOR LADDER RACKS OUT OF THE WAY, BUT NEVER OUT OF REACH.

When you transport your ladders within the cargo area of your van, you reduce the wear and tear on the ladder, and on yourself with easy to access and operate ladder storage solutions.



#### ILR LADDER HOLDER

- The Interior Ladder Rack does not take up, limit, or reduce vertical standing room in your van and it allows quick and easy access to your ladder from outside of your vehicle.
- Eliminate the outside wear and tear on your ladder; protect your ladder from the elements, theft, and road grime.
- Customers will appreciate your use of clean, well taken care of equipment rather than bringing the outside mess into their home.
- Perfect for carrying 4ft and 6ft step ladders. Works best in medium and high roof vans and features plastic coated clamps to protect the ladder rungs during transit.



**ELECTRICAL & GAS STARTER PACKAGE**

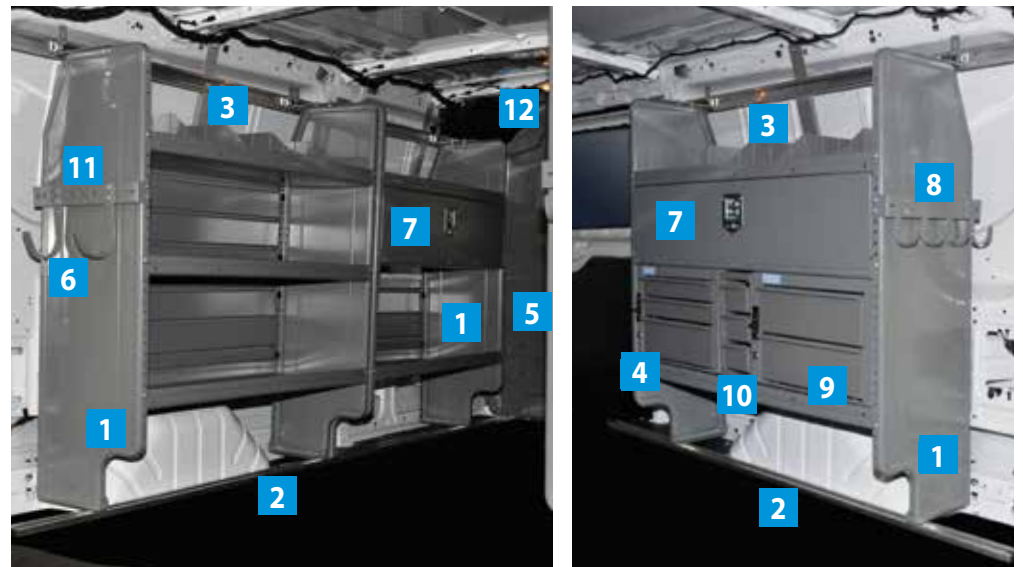
**4319TL130** Transit 130"WB Low Roof  
**4319TL148** Transit 148"WB Low Roof

ITEM	MODEL	DESCRIPTION	QTY
1	AD44FP	Adjustable 3-Shelf Unit	3
2	RK130FTS or RK148FTS	Mounting Rail Kit	1
3	DV14C8	14" Shelf Dividers	1
4	919	3-Drawer Unit w/ Lock	1
5	S1M2HC2FSV	Steel Partition Panel Kit w/ Visibility & Door Kit	1
6	WRH5	5-Bar Spool Holder	1
7	19	2-Drawer Unit w/ Lock	1
8	DK4208	Door Kit w/ Open Back	2
9	DC6	3-Drawer Unit	3
10	DC12	3-Drawer Unit	1
11	9	4-Drawer Unit w/ Lock	1
12	TA1WAD	4-Hook Bar w/ Adapter	1
13	BRK14EPS	End Panel Mounting Bracket	2
14	WKC1FDTS	Steel Partition Mounting Kit	1

**GENERAL SERVICE STARTER PACKAGE**

**4317TL130** Transit 130"WB Low Roof  
**4317TL148** Transit 148"WB Low Roof

ITEM	MODEL	DESCRIPTION	QTY
1	AD44FP	Adjustable 3-Shelf Unit	3
2	RK130FTS or RK148FTS	Mounting Rail Kit	1
3	DV14C8	14" Shelf Dividers	1
4	919	3-Drawer Unit w/ Lock	1
5	S1M2HC2FSV	Steel Partition Panel Kit w/ Visibility & Door Kit	1
6	UH50	Utility Hook	2
7	DK4208	Door Kit w/ Open Back	2
8	TA1WAD	4-Hook Bar w/ Adapter	1
9	19	2-Drawer Unit w/ Lock	1
10	DC6	3-Drawer Unit	1
11	BRK14EPS	End Panel Mounting Bracket	1
12	WKC1FDTS	Steel Partition Mounting Kit	1

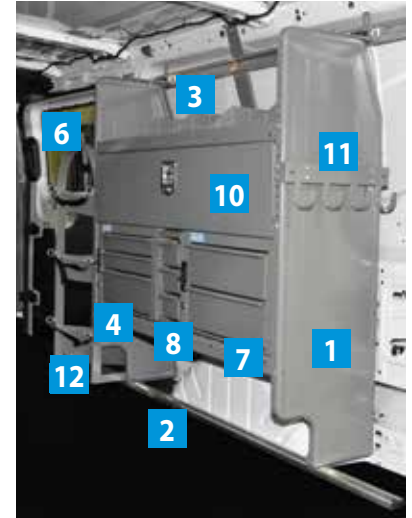
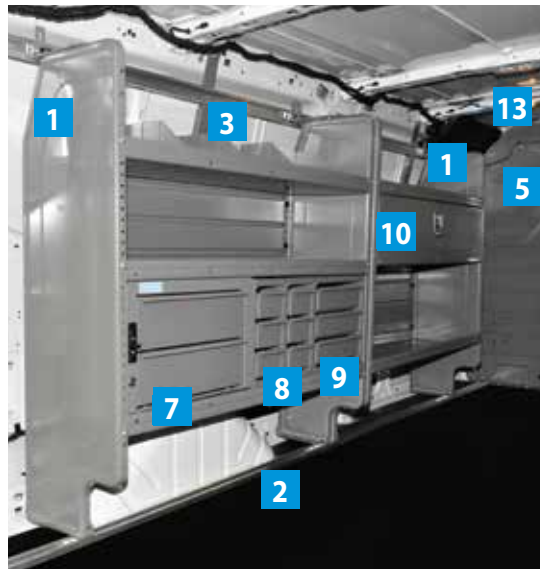




**PLUMBING & HVAC STARTER PACKAGE**

**4318TL130** Transit 130"WB Low Roof  
**4318TL148** Transit 148"WB Low Roof

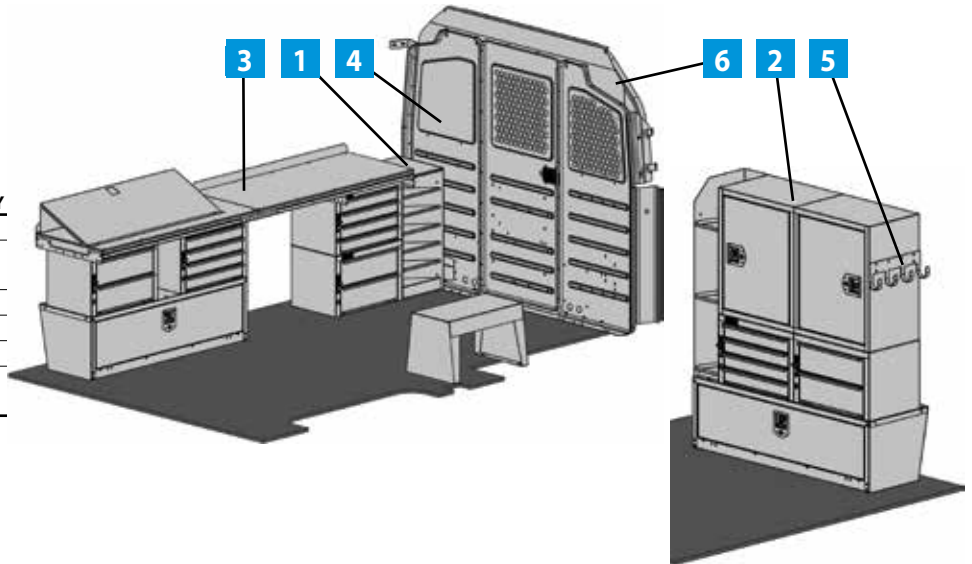
ITEM	MODEL	DESCRIPTION	QTY
1	AD44FP	Adjustable 3-Shelf Unit	3
2	RK130FTS	Mounting Rail Kit	1
or	RK148FTS	Mounting Rail Kit	1
3	DV14C8	14" Shelf Dividers	1
4	919	3-Drawer Unit w/ Lock	1
5	S1M2HC2FSV	Partition with door	1
6	WTR230150	Welded Tank Rack	1
7	19	2-Drawer Unit w/ Lock	2
8	DC6	3-Drawer Unit	3
9	DC12	3-Drawer Unit	1
10	DK4208	Door Kit w/ Open Back	2
11	TA1WAD	4-Hook Bar w/ Adapter	1
12	RKAWTR	Welded Tank Rack Rail Adapter	1
13	WKC1FDTS	Steel Partition Mounting Kit	1



**LOCKSMITH STARTER PACKAGE**

**5274TL** Transit 130"/148"WB Low Roof

ITEM	MODEL	DESCRIPTION	QTY
1	17A	6-Shelf Catalog File	1
2	MD506	Shelf and Drawer Module	1
3	MD608	Workbench Module	1
4	S1M2HC2FSV	Partition with door	1
5	TA1	4-Hook Bar	1
6	WKC1FDTS	Steel Partition Mounting Kit	1



**TRIPLE SHELF STARTER PACKAGE**

**5156TL130** Transit 130"WB Low Roof  
**5156TL148** Transit 148"WB Low Roof

ITEM	MODEL	DESCRIPTION	QTY
1	AD44FP	Adjustable 3-Shelf Unit	3
2	RK130FTS	Mounting Rail Kit	1
or	RK148FTS	Mounting Rail Kit	1
3	S1M2HC2FSV	Partition with door	1
4	WKC1FDTS	Steel Partition Mounting Kit	1

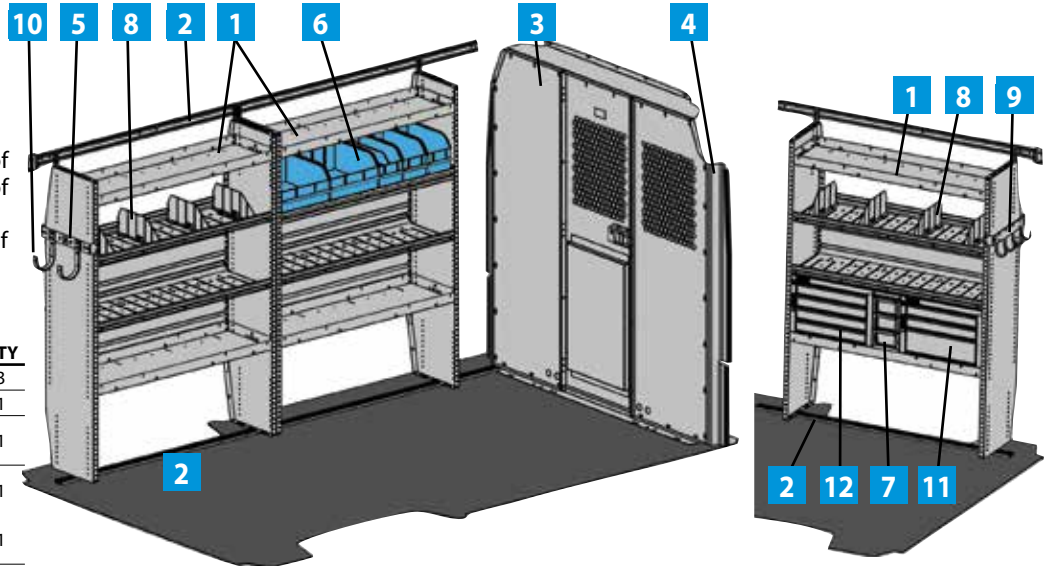


**GENERAL SERVICE STARTER PACKAGE**

**4317TM130** Transit 130"WB Med Roof  
**4317TM148** Transit 148"WB Med Roof

**4317TH148** Transit 148"WB High Roof  
**4317TH148X** Transit 148"EXT WB High Roof

ITEM	MODEL	DESCRIPTION	QTY
1	HAD4459	Hybrid 4-Shelf Unit	3
2	RAIL KIT	*see list below	1
3	S1M2HC2PM	Steel Partition Panel Kit w/ Visibility & Door Kit	1
4	WKC1FDTM	Steel Partition Mounting Kit	1
or	WKC1FDTH	Steel Partition Mounting Kit	1
5	BRK14EPS	End Panel Mounting Bracket	1
6	BR36212	Bin Set for Adjustable Shelving	1
7	DC6	3-Drawer Unit	1
8	DV14C8	14" Shelf Dividers	1
9	TA1WAD	4-Hook Bar w/ Adapter	1
10	UH50	Utility Hook	2
11	919	3-Drawer Unit w/ Lock	1
12	9	4-Drawer Unit w/ Lock	1

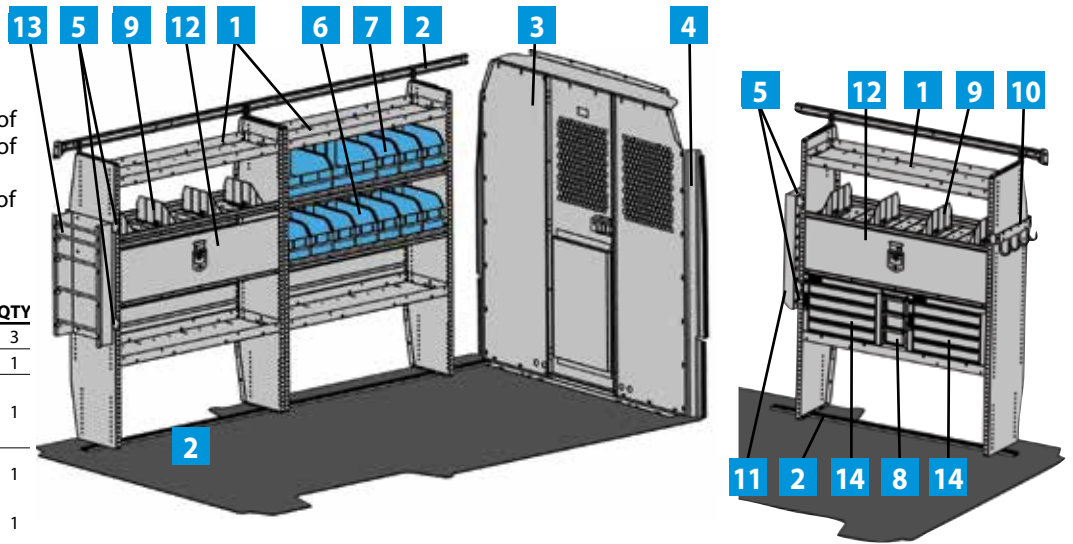


**ELECTRICAL & GAS STARTER PACKAGE**

**4319TM130** Transit 130"WB Med Roof  
**4319TM148** Transit 148"WB Med Roof

**4319TH148** Transit 148"WB High Roof  
**4319TH148X** Transit 148"EXT WB High Roof

ITEM	MODEL	DESCRIPTION	QTY
1	HAD4459	Hybrid 4-Shelf Unit	3
2	RAIL KIT	*see list below	1
3	S1M2HC2PM	Steel Partition Panel Kit w/ Visibility & Door Kit	1
4	WKC1FDTM	Steel Partition Mounting Kit	1
or	WKC1FDTH	Steel Partition Mounting Kit	1
5	BRK14EPS	End Panel Mounting Bracket	4
6	BR76012	Bin Set for Adjustable Shelving	1
7	BR36212	Bin Set for Adjustable Shelving	1
8	DC6	3-Drawer Unit	1
9	DV14C8	14" Shelf Dividers	1
10	TA1WAD	4-Hook Bar w/ Adapter	1
11	CB5	5-Slot Literature Rack	1
12	DK4210	Door Kit w/ Open Back	2
13	WRH5	5-Bar Spool Holder	1
14	9	4-Drawer Unit w/ Lock	2



**\*RAIL KITS**

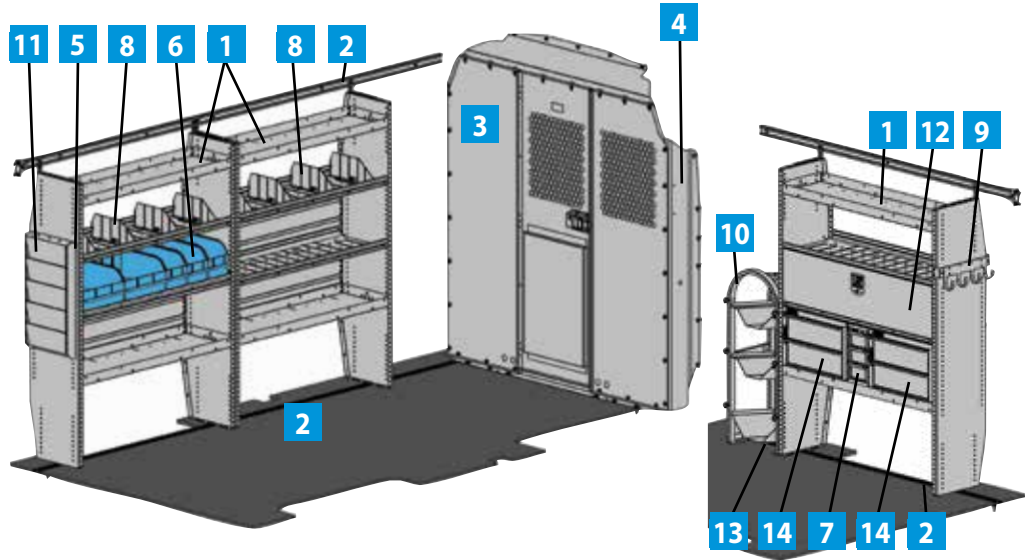
MODEL	DESCRIPTION
RK130FTM	Mounting Rail Kit
RK148FTM	Mounting Rail Kit
RK148FTHE	Mounting Rail Kit

**PLUMBING & HVAC STARTER PACKAGE**

**4318TM130** Transit 130"WB Med Roof  
**4318TM148** Transit 148"WB Med Roof

**4318TH148** Transit 148"WB High Roof  
**4318TH148X** Transit 148"EXT WB High Roof

ITEM	MODEL	DESCRIPTION	QTY
1	HAD4459	Hybrid 4-Shelf Unit	3
2	RAIL KIT	*see list on page 22	1
3	S1M2HC2PM	Steel Partition Panel Kit w/ Visibility & Door Kit	1
4	WKC1FDTM	Steel Partition Mounting Kit	1
or	WKC1FDTH	Steel Partition Mounting Kit	1
5	BRK14EPS	End Panel Mounting Bracket	2
6	BR36212	Bin Set for Adjustable Shelving	1
7	DC6	3-Drawer Unit	1
8	DV14C8	14" Shelf Dividers	1
9	TA1WAD	4-Hook Bar w/ Adapter	1
10	WTR230150	Welded Tank Rack	1
11	CB5	5-Slot Literature Rack	1
12	DK4210	Door Kit w/ Open Back	1
13	RKAWTR	Welded Tank Rack Rail Adapter	1
14	19	2-Drawer Unit w/ Lock	2

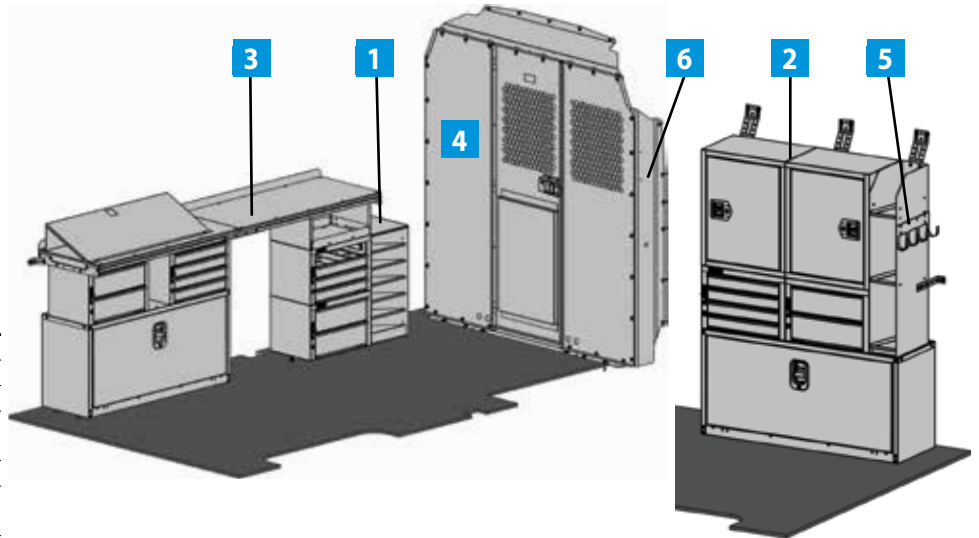


**LOCKSMITH STARTER PACKAGE**

**5274TM** Transit 130"/148" WB Med Roof

**5274TH** Transit 148"/148" EXT WB High Roof

ITEM	MODEL	DESCRIPTION	QTY
1	17A	6-Shelf Catalog File	1
2	MD506PM	Drawer Cabinet Module	1
3	MD608PM	Workbench Module	1
4	S1M2HC2PM	Steel Partition Panel Kit w/ Visibility & Door Kit	1
5	TA1	4-Hook Bar	1
6	WKC1FDTM	Steel Partition Mounting Kit	1
or	WKC1FDTH	Steel Partition Mounting Kit	1

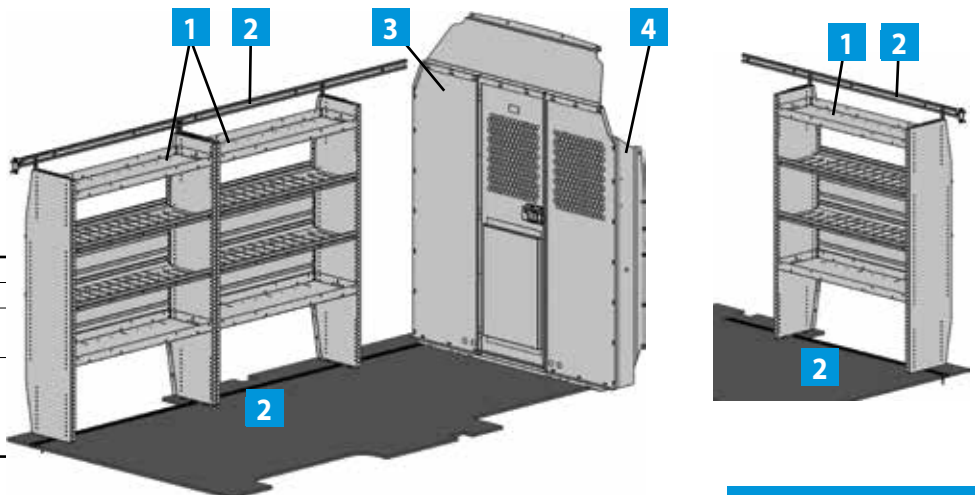


**TRIPLE SHELF STARTER PACKAGE**

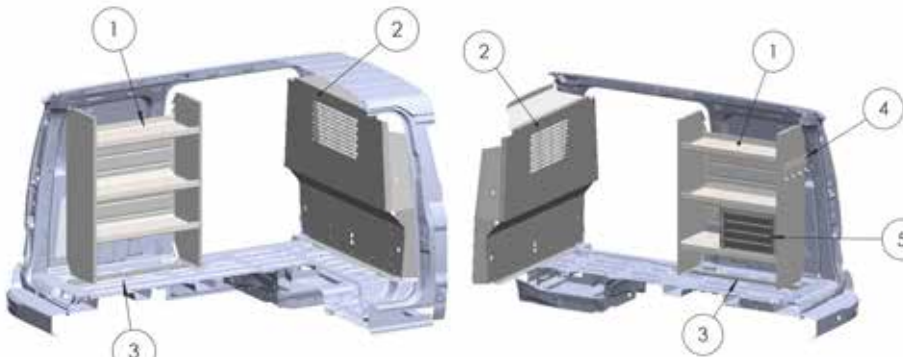
**5156TM130** Transit 130"WB Med Roof  
**5156TM148** Transit 148"WB Med Roof

**5156TH148** Transit 148"WB High Roof  
**5156TH148X** Transit 148"EXT WB High Roof

ITEM	MODEL	DESCRIPTION	QTY
1	HAD4459	Hybrid 4-Shelf Unit	3
2	Rail Kit	*see list on page 22	1
3	S1M2HC2PM	Steel Partition Panel Kit w/ Visibility & Door Kit	1
4	WKC1FDTM	Steel Partition Mounting Kit	1
or	WKC1FDTH	Steel Partition Mounting Kit	1



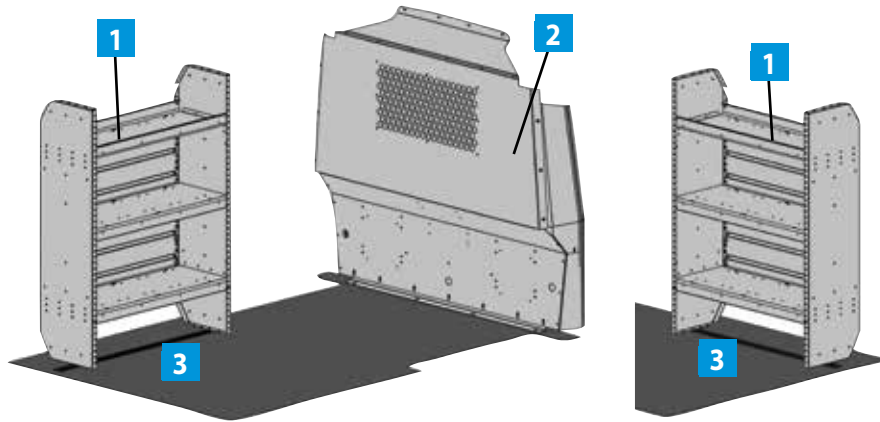




**5053  
GENERAL SERVICE STARTER  
PACKAGE**

2014-on Transit Connect LWB

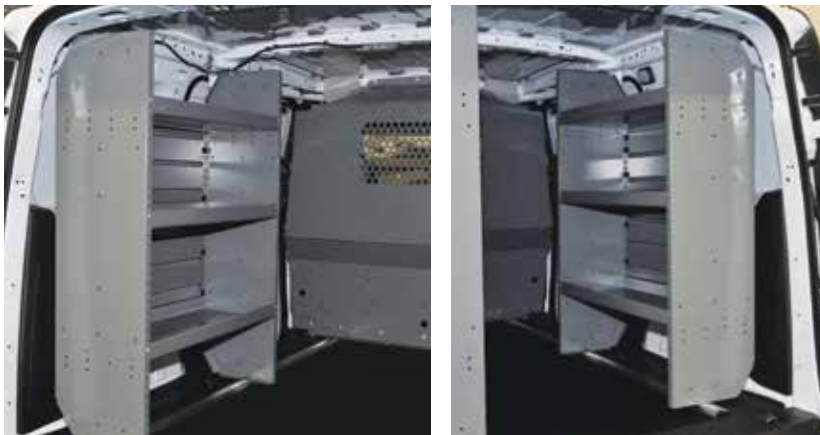
ITEM	MODEL	DESCRIPTION	QTY
1	AD1432TC14	Adjustable 3-Shelf Unit	2
2	P2TCS14	Steel Partition w/ Visibility	1
3	RKTC14	Mounting Rail Kit	2
4	TA1WAD	4-Hook Bar TA1 w/ AD Adapter	1
5	9	4-DRAWER UNIT W/ LOCK	1



**5218  
SHELVING STARTER PACKAGE**

2014-on Transit Connect LWB

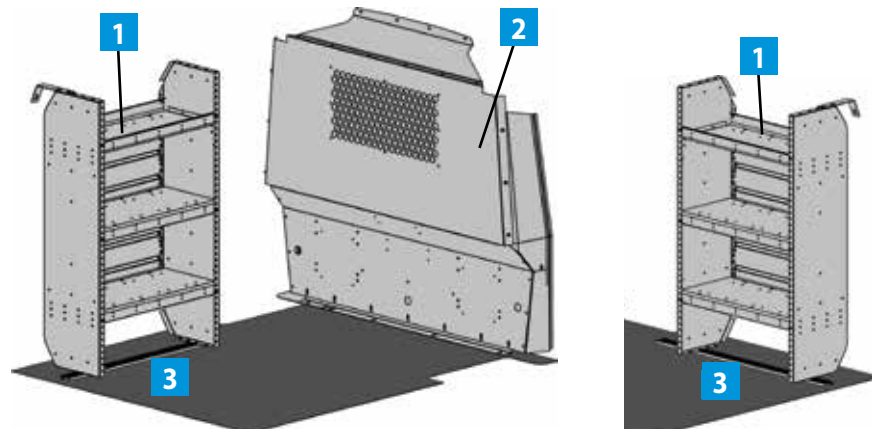
ITEM	MODEL	DESCRIPTION	QTY
1	AD1232TC14	Adjustable 3-Shelf Unit	2
2	P2TCS14	Steel Partition w/ Visibility	1
3	RKTC14	Mounting Rail Kit	2



**5224  
COMMERCIAL SHELVING STARTER  
PACKAGE**

2014-on Transit Connect SWB

ITEM	MODEL	DESCRIPTION	QTY
1	AD1226TC14	Adjustable 3-Shelf Unit	2
2	P2TCS14	Steel Partition w/ Visibility	1
3	RKTC14	Mounting Rail Kit	2

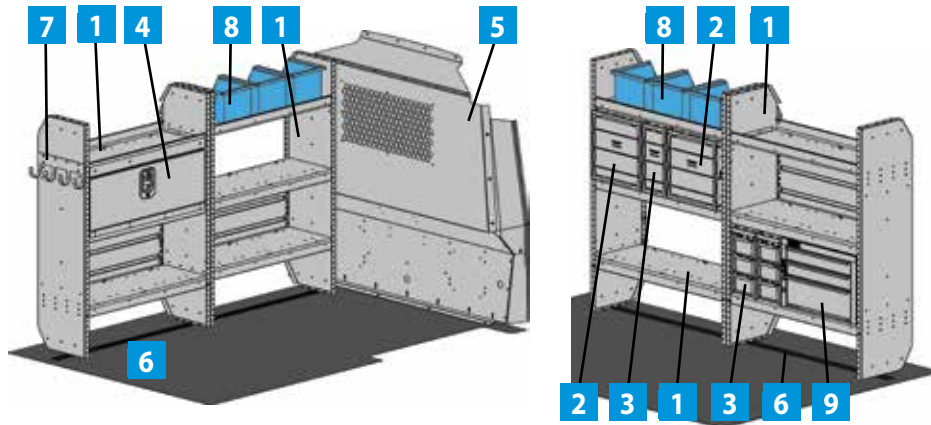




**5219  
GENERAL SERVICE STARTER  
PACKAGE**

2014-on Transit Connect LWB

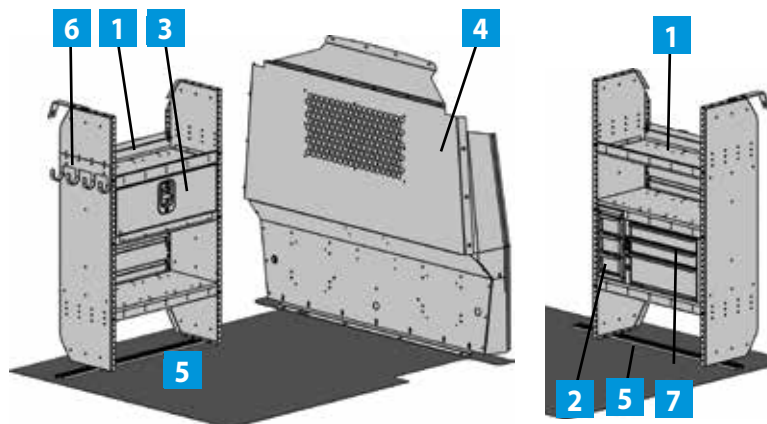
ITEM	MODEL	DESCRIPTION	QTY
1	AD1232TC14	Adjustable 3-Shelf Unit	4
2	DC12	3-Drawer Unit	2
3	DC6	3-Drawer Unit	3
4	DK32TC	Door Kit	1
5	P2TCS14	Steel Partition w/ Visibility	1
6	RKDTC14	Mounting Rail Kit	2
7	TA1	4-Hook Bar	1
8	28	Parts Bin	6
9	919	3-Drawer Unit w/ Lock	1



**5225  
GENERAL SERVICE STARTER  
PACKAGE**

2014-on Transit Connect SWB

ITEM	MODEL	DESCRIPTION	QTY
1	AD1226TC14	Adjustable 3-Shelf Unit	2
2	DC6	3-Drawer Unit	1
3	DK26TC	Door Kit	1
4	P2TCS14	Steel Partition w/ Visibility	1
5	RKTC14	Mounting Rail Kit	2
6	TA1	4-Hook Bar	1
7	919	3-Drawer Unit w/ Lock	1

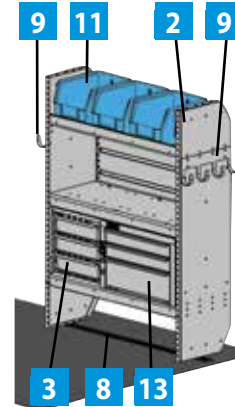
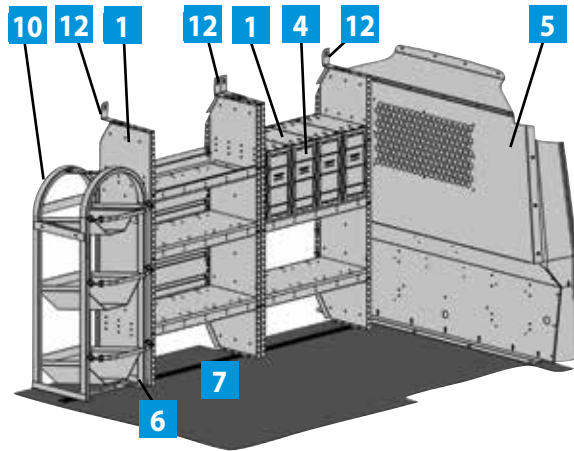


All illustrations, photos and specifications in this publication are based on the latest product information available at the time of content approval. The right is reserved to make changes at any time, without notice, in materials, specifications and models, and also to discontinue models.



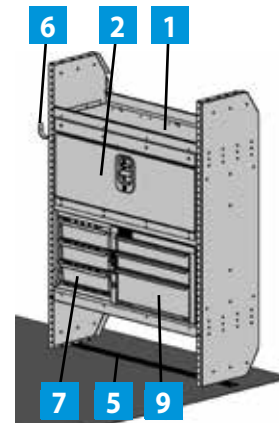
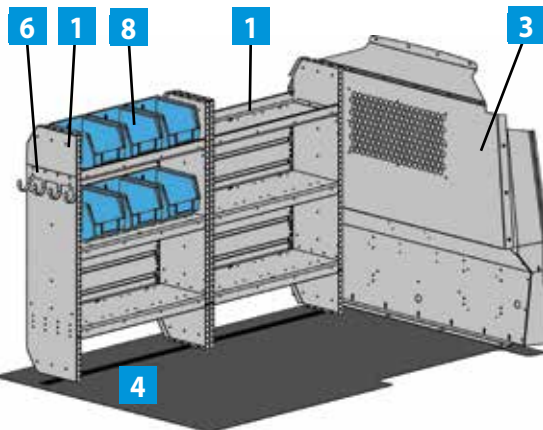
**5217  
HVAC Starter Package**  
2014-on Transit Connect LWB

ITEM	MODEL	DESCRIPTION	QTY
1	AD1226TC14	Adjustable 3-Shelf Unit	2
2	AD1232TC14	Adjustable 3-Shelf Unit	1
3	DC12	3-Drawer Unit	1
4	DC6	3-Drawer Unit	4
5	P2TCS14	Steel Partition w/ Visibility	1
6	RKAWTR	Welded Tank Rack Rail Adapter	1
7	RKDTC14	Mounting Rail Kit	1
8	RKTC14	Mounting Rail Kit	1
9	TA1	4-Hook Bar	2
10	WTR130250	Welded Tank Rack	1
11	28	Parts Bin	3
12	46361-G	Mounting Bracket	3
13	919	3-Drawer Unit w/ Lock	1



**5220  
ELECTRICAL STARTER PACKAGE**  
2014-on Transit Connect LWB

ITEM	MODEL	DESCRIPTION	QTY
1	AD1232TC14	Adjustable 3-Shelf Unit	3
2	DK32TC	Door Kit	1
3	P2TCS14	Steel Partition w/ Visibility	1
4	RKDTC14	Mounting Rail Kit	1
5	RKTC14	Mounting Rail Kit	1
6	TA1	4-Hook Bar	2
7	DC12	3-Drawer Unit	1
8	28	Parts Bin	6
9	919	3-Drawer Unit w/ Lock	1



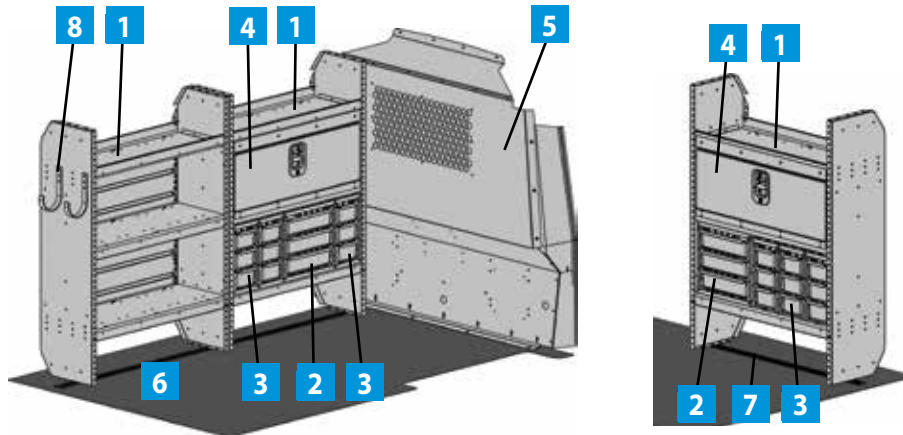




**5221  
SATELLITE INSTALLATION STARTER  
PACKAGE**

2014-on Transit Connect LWB

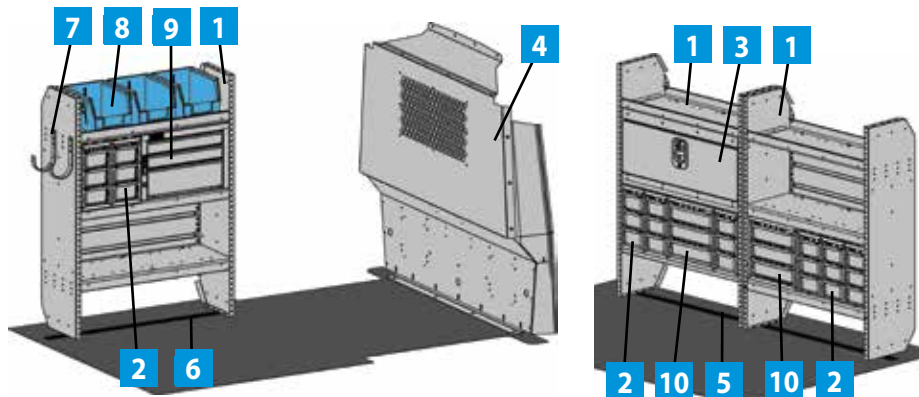
ITEM	MODEL	DESCRIPTION	QTY
1	AD1232TC14	Adjustable 3-Shelf Unit	3
2	DC12	3-Drawer Unit	2
3	DC6	3-Drawer Unit	6
4	DK32TC	Door Kit	2
5	P2TCS14	Steel Partition w/ Visibility	1
6	RKDTC14	Mounting Rail Kit	1
7	RKTC14	Mounting Rail Kit	1
8	UH50	Utility Hook	2



**5222  
PLUMBING STARTER PACKAGE**

2014-on Transit Connect LWB

ITEM	MODEL	DESCRIPTION	QTY
1	AD1232TC14	Adjustable 3-Shelf Unit	3
2	DC6	3-Drawer Unit	8
3	DK32TC	Door Kit	1
4	P2TCS14	Steel Partition w/ Visibility	1
5	RKDTC14	Mounting Rail Kit	1
6	RKTC14	Mounting Rail Kit	1
7	UH50	Utility Hook	2
8	28	Parts Bin	3
9	919	3-Drawer Unit w/ Lock	1
10	DC12	3-Drawer Unit	2



All illustrations, photos and specifications in this publication are based on the latest product information available at the time of content approval. The right is reserved to make changes at any time, without notice, in materials, specifications and models, and also to discontinue models.

MODEL	PAGE	DESCRIPTION	MODEL	PAGE	DESCRIPTION	MODEL	PAGE	DESCRIPTION
ACT3	19	3-Place Aerosol Can Holder	DV12	8	Shelf Divider	P2TCS14	7	Steel Partition w/ Visibility
ACT4	19	4-Place Aerosol Can Holder	DV14	8	Shelf Divider	RKA1	8	Rail Kit Adapter
AD1226TC14	8	Adjustable 3-Shelf Unit	DV19	16	Floor Drawer Divider	RKA3	8	Rail Kit Adapter
AD1232TC14	8	Adjustable 3-Shelf Unit	DV12AD	8	Shelf Divider	RKA4	8	Rail Kit Adapter
AD1426TC14	8	Adjustable 3-Shelf Unit	DV14C8	8	14" Shelf Dividers	RKABRK1	8	Single Adapter Bracket for Rail Kit
AD1432TC14	8	Adjustable 3-Shelf Unit	DV44U	10	Top Shelf Divider Kit	RKABRK2	8	Double Adapter Brackets for End Panel
AD32FP	8, 9	Adjustable 3-Shelf Unit	DV44U1	10	Top Shelf Divider	RKAWTR	8	Welded Tank Rack Rail Adapter
AD44FP	8, 9	Adjustable 3-Shelf Unit	DV44U4	10	Top Shelf Divider Kit	RKA919	8	Drawer Riser Kit
AD50FP	8	Adjustable 3-Shelf Unit	DV44L1	10	Lower Shelf Divider	RKDTC14	8	Mounting Rail Kit
AFD181236	16	Floor Drawer	DV44L4	10	Lower Shelf Divider Kit	RKTC14	8	Mounting Rail Kit
AFD241224	16	Floor Drawer	DVJ9	16	Floor Drawer Divider	RKMM	9	Mounting Rail Kit
AFD241236	16	Floor Drawer	DVJ19	16	Floor Drawer Divider	RK130FTM	8	Mounting Rail Kit
BH4	15	4-Slot Literature Rack	DV9	16	Floor Drawer Divider	RK130FTS	8	Mounting Rail Kit
BRK14EPS	8	End Panel Mounting Bracket	GLSLK	22	Step Ladder Kit	RK148FTHE	8	Mounting Rail Kit
CB2	11, 15	2-Book File	HAD3259	9	Hybrid 4-Shelf Unit	RK148FTM	8	Mounting Rail Kit
CB3	15	3-Book File	HAD4459	9	Hybrid 4-Shelf Unit	RK148FTS	8	Mounting Rail Kit
CB4	15	Utility Box	HAD5059	9	50" HAD Shelving	RRBFT- B OR W	23	Rear Roller Bar
CB5	15	5-Slot Literature Rack	HD3259	9	4-Shelf Unit	S1M1C1FSV	4, 5	Steel Partition Panel Kit
CB7	15	7-Slot Literature Rack	HD4459	9	4-Shelf Unit	S1M1C1PM	4, 5	Steel Partition Panel Kit
CCD6	15	Center Console	HD5059	9	4-Shelf Unit	S1M1HC1FSV	4, 5	Steel Partition Panel Kit w/ Door Kit
CCDHF6	15	Center Console Hanging File	ILR	25	Ladder Holder	S1M1HC1PM	4, 5	Steel Partition Panel Kit w/ Door Kit
CCDLTH	15	Center Console Laptop Holder	JD42FP	9	3-Shelf Unit	S1M2C1FSV	4, 5	Steel Partition Panel Kit w/ Visibility
CH-EP	14	3-Case Holder w/ Cases	JD52FP	9	3-Shelf Unit	S1M2HC1FSV	4, 5	Steel Partition Panel Kit w/ Visibility & Door Kit
CHPPC4S	14	4-Case Holder w/ Cases	JD48FP	9	2-Shelf Unit	S1M2C2FSV	4, 5	Steel Partition Panel Kit w/ Visibility
CHPPC5SM	14	5-Case Holder w/ Cases	JD60FP	9	3-Shelf Unit	S1M2C2PM	4, 5	Steel Partition Panel Kit w/ Visibility
CH1514SGL	14	Single Case Holder w/ Case	KDRH1426	17	Wire Reel Holder	S1M2HC2FSV	4, 5	Partition, low roof
CH-1514DBL	14	2-Case Holder w/ Cases	KDRH1432	17	Wire Reel Holder	S1M2HC2PM	4, 5	Steel Partition Panel Kit w/ Visibility & Door Kit
CL1446D	12	Adjustable 3-Shelf Cabinet w/ Lock	KDRH1444	17	Wire Reel Holder	S2M2C2FSV	4, 5	Steel Partition Panel Kit w/ Visibility
CL1446R	12	Adjustable 3-Shelf Cabinet w/ Lock	KDRH1450	17	Wire Reel Holder	S2M2HC2FSV	4, 5	Steel Partition Panel Kit w/ Visibility & Door Kit
CRH2	17	Cable Reel Holder	KDRH2	17	2-Bar Wire Reel Holder	SA-10	16	Single Compartment Floor Drawer
DC6	13	3-Drawer Unit	KMB36	11	Key Machine Base	SA-20	16	Single Compartment Floor Drawer
DC12	13	3-Drawer Unit	LK8FT	24	Ceiling Ladder Holder	SA-40	16	Triple Compartment Floor Drawer
DDL61FTL	20	Passenger Side Drop Down Ladder Rack	LK8FT148	24	Ceiling Ladder Holder	SAJ-10	16	Single Compartment Floor Drawer
DDL63FTL	20	Double Drop Down Ladder Rack	LKB1	15	Lock Box	SAJ-20	16	Single Compartment Floor Drawer
DDL64FTL2	20	Drop Down Combo Ladder Rack	MD506	11	Shelf and Drawer Module	SAJ-30	16	Double Compartment Floor Drawer
DDL61FTM	21	Single Drop Down Ladder Rack	MD507	11	Shelf and Drawer Module	SAJ-40	16	Triple Compartment Floor Drawer
DDL63FTM	21	Double Drop Down Ladder Rack	MD508	11	Workbench Module	SBIN060614	18	Snap In Bin
DDL63FTM	21	Double Drop Down Ladder Rack	MD509	11	Workbench Module	SBIN120614	18	Snap In Bin
DDL63FTM	21	Double Drop Down Ladder Rack	MD509	11	Workbench Module	SBINDIV	18	Snap In Bin Divider
DDL63FTM	21	Double Drop Down Ladder Rack	MD534	11	Cabinet and Drawer Module	SF11218DC	10	Shelf for DC Drawer Units 12"d x 18"w
DDL63FTM	21	Double Drop Down Ladder Rack	MD534	11	Cabinet and Drawer Module	SF11224DC	10	Shelf for DC Drawer Units 12"d x 24"w
DDL63FTM	21	Double Drop Down Ladder Rack	MD608	11	Module, Workbench	SF11236DC	10	Shelf for DC Drawer Units 12"d x 24"w
DDL63FTM	21	Double Drop Down Ladder Rack	PA5-1	6	Partition Climate Control Kit			
DDL63FTM	21	Double Drop Down Ladder Rack	PA5-2	6	Partition Climate Control Kit			
DDL63FTM	21	Double Drop Down Ladder Rack	PA5-SPR	6	Partition Climate Control Kit			
DDL63FTM	21	Double Drop Down Ladder Rack	PA7	6	Reflector Kit w/ Bracket			
DDL63FTM	21	Double Drop Down Ladder Rack	PA8	6	Fire Extinguisher			
DDL63FTM	21	Double Drop Down Ladder Rack	PA9	6	First Aid Tray			
DDL63FTM	21	Double Drop Down Ladder Rack	PA10	6	File Holder			
DDL63FTM	21	Double Drop Down Ladder Rack	PARFTL	4	Composite Partition w/ Visibility			
DDL63FTM	21	Double Drop Down Ladder Rack	PARFTL-NW	4	Composite Partition			
DDL63FTM	21	Double Drop Down Ladder Rack	PARFTM	5	Composite Partition w/ Visibility			
DDL63FTM	21	Double Drop Down Ladder Rack	PARFTM-NW	5	Composite Partition			
DDL63FTM	21	Double Drop Down Ladder Rack	PARFTH	5	Composite Partition w/ Visibility			
DDL63FTM	21	Double Drop Down Ladder Rack	PARFTH-NW	5	Composite Partition			
DDL63FTM	21	Double Drop Down Ladder Rack	PARTC	6	Composite Partition w/ Visibility			
DDL63FTM	21	Double Drop Down Ladder Rack	PARTC-NW	6	Composite Partition			
DDL63FTM	21	Double Drop Down Ladder Rack	PDK1	6	Steel Partition Door Kit			
DDL63FTM	21	Double Drop Down Ladder Rack	PDK2	6	Steel Partition Door Kit			
DDL63FTM	21	Double Drop Down Ladder Rack	PPCL	14	Large Portable Parts Case			
DDL63FTM	21	Double Drop Down Ladder Rack	PPCS	14	Small Portable Parts Case			
DDL63FTM	21	Double Drop Down Ladder Rack	P2TCFW14	7	Wire Partition			

# Index

MODEL	PAGE	DESCRIPTION	MODEL	PAGE	DESCRIPTION	MODEL	PAGE	DESCRIPTION
STP12G	19	Touch-Up Paint	25	13	Drawer Divider Assembly	4317TM148	28	Gen Svc. Pkg, 148" med roof
STP12W	19	Touch-Up Paint	26	13	Drawer Divider Assembly	4318TH148	29	Plumbing & HVAC Starter Package
STP12B	19	Touch-Up Paint	27	13	Drawer Divider Assembly	4318TH148X	29	Plumbing & HVAC Starter Package
TA1	6	4-Hook Bar	28	10	Parts Bin	4318TL130	27	Plumbing & HVAC Starter Package
TA1WAD	26	4-Hook Bar w/ Adapter	40	11	Wheelhouse Bin	4318TL148	27	Plumbing & HVAC Starter Package
TA2	19	Hard Hat Holder	43	11, 15	3-Shelf Literature Rack	4318TM130	29	Plumbing & HVAC Starter Package
TA18	12	Compressed Gas Tank Cabinet	54	11	Workbench Top	4318TM148	29	Plumbing & HVAC Starter Package
TA19	12	Compressed Gas Tank Cabinet	60-132	17	Passenger Side Rear Door Security Screen	4319TH148	28	Electrical & Gas Starter Package
TA20	12	Compressed Gas Tank Cabinet	60-133	17	Driver Side Rear Door Security Screen	4319TH148X	28	Electrical & Gas Starter Package
TDC6	15	Tech Desk Console	60-134	17	Passenger Side Rear Door Security Screen	4319TL130	26	Electrical & Gas Starter Package
TH30	6	Tank Holder	60-135	17	Driver Side Rear Door Security Screen	4319TL148	26	Electrical & Gas Starter Package
TH50	6	Tank Holder	60-136	17	Passenger Side Sliding Door Security Screen	4319TM130	28	Electrical & Gas Starter Package
TK10	16	Floor Drawer Traction Kit	60-137	17	Driver Side Sliding Door Security Screen	4319TM148	28	Electrical & Gas Starter Package
TK20	16	Floor Drawer Traction Kit	60-138	17	Passenger Side Sliding Door Security Screen	4432	10	Welded 3-Shelf Unit
TK30	16	Floor Drawer Traction Kit	60-137	17	Driver Side Sliding Door Security Screen	4442	10	Welded 3-Shelf Unit
TK40	16	Floor Drawer Traction Kit	60-140	17	Passenger Side Door Security Screen	4450	10	Welded 3-Shelf Unit
UH10	19	Utility Hook	60-141	17	Passenger Side Door Security Screen	46361-G	32	Mounting Bracket
UH25	19	Utility Hook	60-TC14RB	17	Rear Doors Security Screen Kit	5156TH148	29	Base Pkg, 148" high roof
UH50	19	Utility Hook	60-TCL14S	17	Sliding Doors Security Screen Kit	5156TH148X	29	Base Pkg, 148"ext high roof
VMA36	19	Vise Mount Assm.	60-TCS14S	17	Sliding Doors Security Screen Kit	5156TL130	27	Triple Shelf Starter Package
WKC1FDTH	29	Steel Partition Mounting Kit	60-TRLHDRD	17	Passenger Side Hinged & Rear Doors Security Screen Kit	5156TL148	27	Triple Shelf Starter Package
WKC1FDTM	29	Steel Partition Mounting Kit	60-TRLRDR	17	Rear Doors Security Screen Kit	5156TM130	29	Triple Shelf Starter Package
WKC1FDTS	26	Steel Partition Mounting Kit	60-TRLSDR	17	Passenger Side Sliding & Rear Doors Security Screen Kit	5156TM148	29	Triple Shelf Starter Package
WRH5	17	5-Bar Spool Holder	60-TRMHRDR	17	Rear Doors Security Screen Kit	5217	32	HVAC Starter Package
WTR130250	18	Welded Tank Rack	60-TRMHSRDR	17	Passenger Side Sliding & Rear Doors Security Screen Kit	5218	30	Shelving Starter Package
WTR230150	18	Welded Tank Rack	61-GLFTL2	22	Single Grip Lock Ladder Rack	5219	31	General Service Starter Package
WTR330	18	Welded Tank Rack	63-GLFTL2	22	Double Grip Lock Ladder Rack	5220	32	Electrical Pkg TC LWB
WTR350	18	Welded Tank Rack	61-TCL19	23	Single Grip Lock Ladder Rack	5221	33	Satellite Installation Starter Package
WTR430	18	Welded Tank Rack	61-TCS19	23	Single Grip Lock Ladder Rack	5222	33	Plumbing Starter Package
WTRTRAY	18	Welded Tank Rack Shelf Kit	63-TCL19	23	Double Grip Lock Ladder Rack	5224	30	Commercial Shelving Starter Package
1	12	Adjustable Single Shelf Cabinet w/Lock	63-TCS19	23	Double Grip Lock Ladder Rack	5225	31	General Service Starter Package
1A	12	Cabinet Shelf	70-1LR	20, 22	Conduit Kit w/ Round End Caps	5274TH	29	Locksmith Starter Package
1BARRFT-B	23	Center Cross Bow Kit	70-2LR	20, 22	Conduit Kit w/ Round End Caps	5274TL	27	Locksmith Starter Package
1BARRFT-W	23	Center Cross Bow Kit	80-1	23	Conduit Carrier	5274TM	29	Locksmith Starter Package
1BTCGL19a	23	Center Cross Bow Kit	80-2	23	Conduit Kit	35325-G	8	32" ADseries Shelf
2	13	4-Drawer Unit	919	13	3-Drawer Unit w/ Lock	35327-G	8	44" ADseries Shelf
2BARRFT-B	23	2-Bar Utility Rack w/ rear Roller	4317TH148	28	General Service Starter Package	35328-G	8	50" ADseries Shelf
2BARRFT-W	23	2-Bar Utility Rack w/ rear Roller	4317TH148X	28	General Service Starter Package	45047	18	Burco glass rack
2BFT-B	23	2-Bar Utility Rack	4317TL130	26	General Service Starter Package			
2BFT-W	23	2-Bar Utility Rack	4317TL148	26	General Service Starter Package			
2BTCL19	23	2-Bar Utility Rack	4317TM130	28	General Service Starter Package			
2BTCS19	23	2-Bar Utility Rack						
3BARRFT-B	23	3-Bar Utility Rack w/ Rear Roller						
3BARRFT-W	23	3-Bar Utility Rack w/ Rear Roller						
3BFT-B	23	3-Bar Utility Rack						
3BFT-W	23	3-Bar Utility Rack						
4A	19	Parts Tray						
4B	19	Parts Tray						
8	11, 13	3-Drawer Unit						
9	11	4-Drawer Unit w/ Lock						
12	12	Adjustable Single Shelf Cabinet w/Lock						
12A	12	Cabinet End Panel						
14	11	Step Stool						
17A	11, 15	6-Shelf Catalog File						
18	11	Welded 3-Shelf Unit w/ Dividers						
19	11	2-Drawer Unit w/ Lock						



# ADRIAN STEEL COMPANY



## QUALITY

- Our products are durable and reliable. Warranty claims are less than 1% of sales.
- Our warranty covers our products for three years or 36,000 miles.

## INNOVATIVE PRODUCTS WITH FEATURES THAT MATTER

- Drawers that stay closed while in transit.
- ADseries truly adjustable shelving platform.
- Drop Down and Grip Lock ladder racks that load and unload the safe and right way.
- Interior ladder storage.
- Plug and Play accessories.
- Anti-slam drawer latches, and much more!

## COMMITMENT

At Adrian Steel, we are committed to you beyond the upfit!

- A dedicated Customer Care Team at corporate headquarters.
- A network of highly qualified distributors to support you locally.
- Our commitment to provide the best cargo management solutions in North America.

## EXPERIENCE

- **Over One Million vans upfitted**, and counting! It's a fact that an organized vehicle increases work flow efficiencies and reduces inventory damages.
- Recognized as a National Truck Equipment Association MVP.



## SERVICE

- Adrian Steel Products can be purchased throughout North America at authorized Adrian Steel distributors.
- Adrian Steel Customer Service Representatives are available M-F, 8am - 5pm EST at **1-800-677-2726**.
- E-mail us at [info@adriansteel.com](mailto:info@adriansteel.com) with questions, comments and feedback.
- Visit [AdrianSteel.com](http://AdrianSteel.com) for the most up-to-date product information, distributor locator, product catalogs, videos and more.

## PROUDLY DISTRIBUTED BY:



906 James Street  
Adrian, Michigan 49221-3996  
517-265-6194 Fax: 517-265-5834  
Toll Free **800-677-2726**  
[adriansteel.com](http://adriansteel.com) [info@adriansteel.com](mailto:info@adriansteel.com)