

RAM PROMASTER & PROMASTER CITY CARGO VAN EQUIPMENT



ADRIAN STEEL®

Cargo Management Solutions for Commercial Vehicles



TIME IS MONEY! GET ON THE ROAD WITH EVERYTHING YOU NEED!

Adrian Steel has the storage products you need, with a nationwide distributor network for professional installation. This catalog will help you set up your work van with the equipment you need to get the job done. Start with a partition to keep your cargo in the cargo area. Choose the shelving and modules for the curb and street side that fit your business needs. Or, choose a pre-designed trade package to start from. Add the accessories you need to make your van more organized. Carry ladders or cargo on your roof? Check out the variety of ladder and utility racks available. The options are many, so if you don't know where to start contact your local Adrian Steel distributor for the expert advice you are looking for.



**\$500 or \$1000
ON THE JOB ALLOWANCE*
ON 2015 PROMASTER**

**\$500
ON THE JOB ALLOWANCE*
ON 2015 PROMASTER CITY**

MAKE YOUR RAM CARGO VAN WORK READY WITH THE RAM ON THE JOB INCENTIVE PROGRAM.

Get The Ultimate In Flexibility When You Take Upfit Cash And Apply It Towards Any Adrian Steel Upfit.

WHAT ON THE JOB?

RAM ON THE JOB is an incentive program designed specifically for business owners who use vehicles in the day-to-day operation of their business. This incentive is available through your local RAM dealership. Please see dealership for eligibility requirements.

SAVE TIME!

Don't go searching around town for product you need for your RAM Cargo Van. Adrian Steel has a comprehensive line of cargo management solutions to get your van upfitted for your trade! You can leave the dealership with a cargo van that is ready to go to work!

COMMERCIAL EXPERTS!

Your RAM Dealership and Adrian Steel Distributor can guide you through the upfit process. Utilize their product expertise to get a complete, turn-key work vehicle.

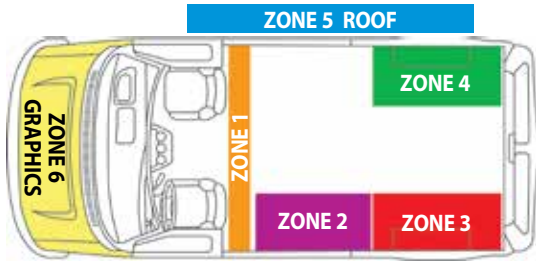
PRODUCT FLEXIBILITY!

Create a work ready van, designed by you, for your specific cargo carrying needs! Organize the interior of your van to suit your trade with Adrian Steel's modular product line. Start with the essentials: a partition, shelving and a roof rack. Then get trade specific by adding drawer units, door kits, hook bars, floor drawers and more!

PROGRAM TIMEFRAME & DETAILS*

The 2015 model year RAM ON THE JOB COMMERCIAL VEHICLE PROGRAM runs through January 4, 2016. Program is not available in all areas and may not be compatible with other offers or incentive programs. Consult your RAM dealer for complete program details. For more information, please contact your local Adrian Steel Distributor.

* Program subject to change without notice.



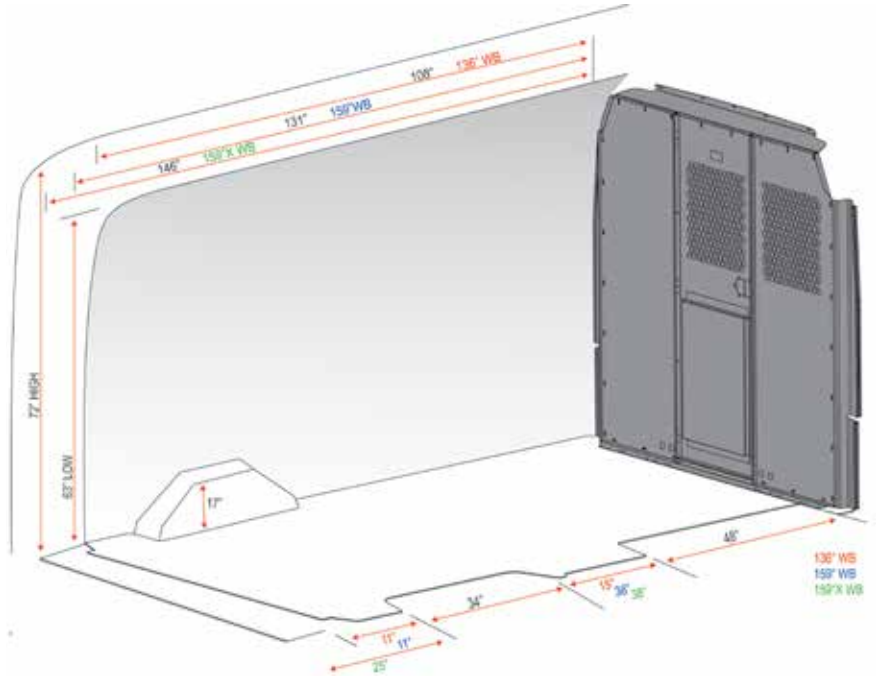
PROMASTER

ZONE 1 PARTITION

- Choose partition style: solid or perforated for the ProMaster.
- Do you want a hinged door?
- Choose between a steel or wire partition for the ProMaster City.

ZONES 2, 3, 4 CURBSIDE & STREETSIDE

- Use layout diagrams to determine the amount of space available.
- Choose from a variety of shelving units and modules that will best organize the tools and equipment you need to carry.
- Or, choose a Work Ready Upfit, complete with a trade specific, pre-designed interior and custom graphics package.



ZONE 5 ROOF

- What do you need to carry?
- Choose from LoadsRite, Grip-Lock, and Utility racks.
- Add rack accessories including step ladder kits, ratchet straps, conduit carriers and more.

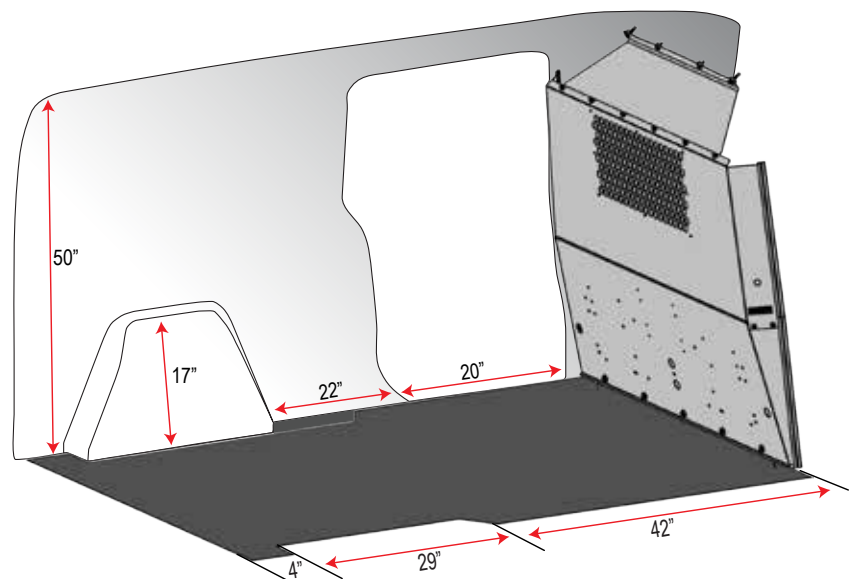
PROMASTER CITY

ZONE 6 VEHICLE GRAPHICS

- Stand out in the crowd!
- Vehicle graphics are the most cost effective form of advertising!

ADDITIONAL STORAGE

- Determine the space needed for specialty equipment.
- Add accessories to shelving and partition
- Hooks, drawers, files, screens, and more.



Need some help?
Contact your local distributor!
 They can provide a wealth of information about utilizing the cargo space in your work van.
 Find your local distributor online at adriansteel.com.

Note: Dimensions for reference only. Measure your van or contact your distributor for your exact needs.

All illustrations, photos and specifications in this publication are based on the latest product information available at the time of content approval.

The right is reserved to make changes at any time, without notice, in materials, specifications and models, and also to discontinue models.

ADRIAN STEEL PARTITIONS KEEP CARGO WHERE IT BELONGS, IN THE CARGO AREA!



S-M-C Series Partitions

Choose from solid or perforated top panels made from 18-gauge steel for strength and finished in a tough powder coat paint. Center M panels can be fixed or hinged with a key-locking door. Partitions are sold as panel kits and wing kits. Please see application chart to confirm the appropriate panel kit and wing kit for your vehicle. Optional extended wing kits offer 3" of additional space in the cab area to allow for more seat adjustability.

Note: Extended wing kits reduce the amount of cargo space. Please confirm the interior layout of the van package to confirm that the extended wing kit has adequate room needed for installation.

S1 SOLID PANEL

Panels mount behind driver seat.

M1 SOLID PANEL

M2 PERFORATED TOP PANEL

Fixed center panels can be hinged as key-locking doors

C1 SOLID PANEL

C2 PERFORATED TOP PANEL

Panels mount behind passenger seat

DRIVER DATA FILE



- Designed to mount between the front seats.
- Rugged steel construction with a hinged worktop and key locking paddle handle.
- Convenient lid mounted clip holds papers in place on the writing surface.
- Data Files mount securely to the vehicle floor, and can be removed for service.
- Designed to be used with a power strip and a PA9 for electrical use.
- Measures 10.3" x 22.4" x 20.4".

DDF-E10PM Data File for RAM ProMaster

PROMASTER PARTITION OPTIONS:

Fixed Center Panel

- S1M1C1PM** All Solid Panels
- S1M2C2PM** Perforated Center and Curb Panels

Hinged Center Panel "Door"

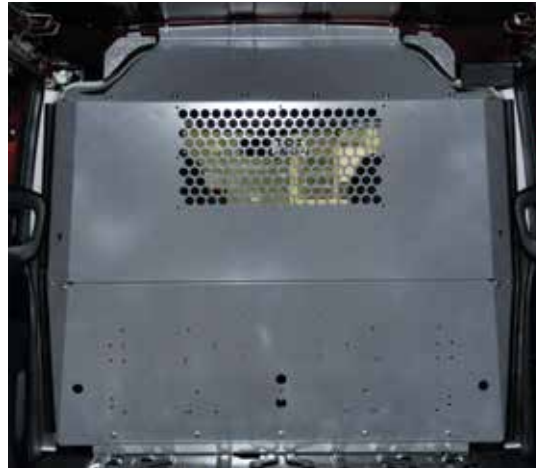
- S1M1HC1PM** All Solid Panels
- S1M2HC2PM** Perforated Center and Curb Panels

Wing Kits - Standard & High Roof

- WKC1PM** Standard Position
- WKC1PM3** Extended Position - adds 3" to the cab area (reduces cargo area)
- WKC1PMR** Standard Position when Factory Partition was Removed
- WKC1PMR3** Extended Position when Factory Partition was Removed - adds 3" to the cab area (reduces cargo area)

STEEL PARTITION FOR PROMASTER CITY

The **P2PMCS15** features all steel panels that safeguard the cab area against moving and shifting cargo. The recessed design allows for maximum adjustability of the front seats and provides storage space for a 6 foot step ladder in the back of the ProMaster City. The perforated window allows for visibility of your cargo area and rear windows while the solid steel construction provides better climate control and sound deadening. The steel header and full perimeter wings provide optimal security. Order the **P1PMCS15** for a solid partition with out the perforated window. Perfect for extra cab climate control.



WIRE MESH PARTITION FOR PROMASTER CITY

The **P2PMCFW15** provides maximum visibility while safeguarding your van cab area against moving and shifting cargo. The recessed design allows for maximum adjustability of the front seats and provides storage space for a 6 foot step ladder in the back of the ProMaster City. The **P2PMCFW15** is lightweight and economical without sacrificing safety and security.



Partition Accessories



TA1 Hook Bar 2" x 12" bar mounts to partition or shelving. Four welded hooks with 2" hanger opening.

PDK2 Hinged Door Kit converts ProMaster M-Series fixed center panel partition into a hinged door with keyed slam latch. Includes two 6" hinges, bulb seal and a slam latch that reduce vibration noise.



PA9 First Aid Box Tray secures included first aid box. Measures: 11" W, 4-1/2" H, 3-1/8" D

PA7 Triangle Reflector Kit Includes reflector kit with metal pocket holder, I.C.C. approved.



PA8 1-A: 10-BC Fire Extinguisher is a rechargeable, 2-1/2 lb. dry chemical extinguisher. Stops Class A, B and C fires. Complete with charge gauge and mounting bracket.

PA10 Practice Holder Organizes paperwork. Measures: 12" W, 7" H, 5" D.

TH30 or TH50 Refrigerant Tank Holder holds 30lb. or 50lb. tank to partition or other vertical surface.

PA5-SPR Partition Plexiglass Cover Panels (not shown) install over the perforations of the ProMaster partition to help with climate control in the cab.

EXCLUSIVELY FROM ADRIAN STEEL: A SHELVING PLATFORM THAT ALLOWS YOU TO PUT SHELVES WHERE YOU WANT THEM, NOT WHERE WE THINK YOU NEED THEM!

ADseries is the next generation of cargo management solutions, engineered to optimize your work van storage and accessibility. Featuring truly ADjustable shelves, an ADaptable rail system, and heavy-duty shelves designed to accommodate the diverse range of cargo you need to get the job done.

ADJUSTABLE SHELVES

Tools, equipment and cargo come in all shapes and sizes and until now, there hasn't been a shelving unit that is truly adjustable. The ADseries is the first of it's kind where, with only a screwdriver, you can simply remove the front shelf bolts and move the shelf to where you need it.



HAD5059
shown with
optional TA1
Hook Bar

The **HAD shelving units** for the Promaster feature two ADseries adjustable shelves in the center of the shelf unit. These two shelves feature a 2" lip and, with only a screwdriver, can be adjusted up or down on one inch increments.

| MODEL | OVERALL SIZE |
|---------|-----------------|
| HAD3259 | 32" x 59" x 14" |
| HAD4459 | 44" x 59" x 14" |
| HAD5059 | 50" x 59" x 14" |

HD shelving units for the **ProMaster** and the **ProMaster City** feature KD adjustable shelves.



HD-28NV2

The top and bottom shelf feature a 2" lip, the center shelf features a 4" lip. Each shelf can be adjusted up or down on one inch increments. The contoured end panels allow the shelf to sit closer to the van wall. **DV12 Dividers** are available. Fits RAM ProMaster City.



HD32TC

All shelves are adjustable on one inch increments and feature a one inch lip. **DV12 Dividers** are available. Fits RAM ProMaster City.



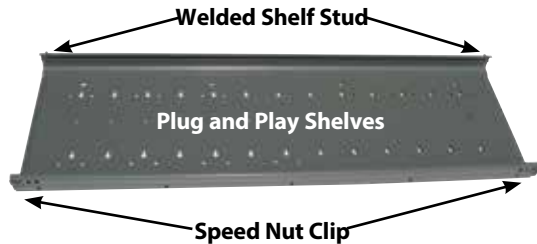
HD4459

The top and bottom shelf feature a 2" lip, the center two shelves feature a 4" lip. Each shelf can be adjusted up or down on one inch increments. Fits full size RAM ProMaster.

| MODEL | OVERALL SIZE | DESCRIPTION |
|----------|--------------------|---------------------|
| HD3259 | 32"W x 59"H x 14"D | Fits ProMaster |
| HD4459 | 44"W x 59"H x 14"D | Fits ProMaster |
| HD5059 | 50"W x 59"H x 14"D | Fits ProMaster |
| HD32TC | 32"W x 46"H x 12"D | fits ProMaster City |
| HD-28NV2 | 28"W x 46"H x 12"D | fits ProMaster City |

ADAPTABLE INTERIOR

Everyone likes to set their work van up their own way. The new ADseries shelving lets you position the shelving where you need it. Exclusive to the ADseries, the unique rail system enables you to reposition the shelving in the van, increasing the available space for trade specific equipment. All of this is done without removing bolts, plugging holes and re-drilling the van!



Truly Adjustable Shelves All you need is a phillips screwdriver! Simply remove two bolts from the speed nut clips that come with the shelf, tilt the shelf upwards, move the shelf to your desired location, insert the rear shelf studs, reattach the bolts and you're done!

Rear Shelf Studs unique design lock shelves in place!

ADD ACCESSORIES

Businesses change over time and your van interior should be able to change with your needs. Plug and Play shelves have prepunched holes that allow adding storage solutions easily! ADseries dividers simply snap in place, drawer units simply bolt in and door kits can be added to lock your more valuable parts and equipment. Many Adrian Steel accessories can be added to the ADseries shelving with the rail adapter kits and end panel brackets.



ADSERIES SHELF UNITS AND RAIL KITS

| MODEL | SIZE | DESCRIPTION |
|----------|---------------------|----------------------------------|
| HAD3259 | 32"W x 59"H x 14"D | fits ProMaster, std. & high roof |
| HAD4459 | 44"W x 59"H x 14"D | fits ProMaster, std. & high roof |
| HAD5059 | 50"W x 59"H x 14"D | fits ProMaster, std. & high roof |
| AD28PMC | 28"W x 46"H x 14"D | fits ProMaster City |
| AD32PMC | 32"W x 46"H x 14"D | fits ProMaster City |
| RKPMSWB | 118" WB Rail Kit | ProMaster curb or streetside |
| RKPMWB | 136" WB Rail Kit | ProMaster curb or streetside |
| RKPMLWB | 159" WB Rail Kit | ProMaster curb or streetside |
| RKPMXLWB | 159"EXT WB Rail Kit | ProMaster curb or streetside |
| RKPMC | Short Rail Kit | ProMaster City |
| RK72PMC | Long Rail Kit | ProMaster City |

Note: Rails are not included with the shelf units. Rail kits must be ordered separately

Note: Shelves have the following weight rating:

- Shelves positioned with the shelf lips facing up have a rating of 100lbs per shelf evenly distributed.
- Shelves positioned with the shelf lips facing down have a rating of 200lbs per shelf evenly distributed.

ADSERIES ACCESSORIES

| MODEL | SIZE/DESCRIPTION |
|----------|---|
| DV14C1 | Divider for ADseries shelf/Single |
| DV14C8 | Divider for ADseries shelf/8 Pack |
| DV12 | Divider for HAD top shelf/Single |
| DV14 | Divider for HAD bottom shelf/Single |
| DK3008 | 8" High Door Kit/HAD3259 |
| DK3010 | 10" High Door Kit/HAD3259 |
| DK4208 | 8" High Door Kit/HAD4459 |
| DK4210 | 10" High Door Kit/HAD4459 |
| DK4808 | 8" High Door Kit/HAD5059 |
| DK4810 | 10" High Door Kit/HAD5059 |
| BRK14EPS | End Panel Bracket To Add on Accessories |
| RKA1 | Rail Kit Adapter/See list at right |
| RKA3 | Rail Kit Adapter3/See list at right |
| RKA4 | Rail Kit Adapter4/See list at right |
| RKABRK1 | Rail Kit Adapter/End Panel Bracket/See list |
| RKABRK2 | Rail Kit Adapter/17A |
| RKAWTR | Rail Kit Adapter/Welded Tank Racks |
| RKA919 | Rail Kit Adapter/#9, #19, #919 Drawer Units |
| 35325-G | 32" Long Shelf |
| 35327-G | 44" Long Shelf |
| 35328-G | 50" Long Shelf |

RKA1 – Rail Adapter Kit1
Use with: CB2, CB3, CB4 (uses 2)

RKA3 – Rail Adapter Kit3
Use with: #1, #12, #2, #8, DC Units, 17A, CRH2, TA19, TA5

RKA4 – Rail Adapter Kit4
Use with: CL1446D/R, #40, KDRH2, KD Shelving Units, #33, #3, #33W, JD Shelving

BRK14EPS – ADseries end panel accessory attachment bracket.
Use with: 17A, CB5, 43, TA19, TA20, WRH5, UH10/25/50, PA9, PA8, ACT3/4, PA11, AGSCH2, PA7, TH30, TH50, TA5

RKABRK1 – Used with TA19, TA20, TA5

SPECIFIC JOBS DEMAND SPECIFIC STORAGE SOLUTIONS.

Cabinet and Drawer Modules provide secure storage for large and small tools and parts. The modular design allows you to get what you need now and the ability to add more when you need it. Whatever the job demands, Adrian has the storage solutions to transport your gear safely and securely.



TANK CABINETS

- Provide vented storage for Propane, Mapp gas or CO2 tanks.
- Cabinets feature a full door gasket with two snap latches for positive door closure.
- Interior cabinet cradle and retaining straps (foam yokes for TA19) secure tanks and prevent movement.
- Floor vent and tubing are included for exhausting fumes.
- Propane cabinets store 20, 30 or 40 lb. tanks.
- Mapp Gas Cabinets store 6 1/2" diameter tanks.
- CO2 Tank Cabinets store 20 lb. cylinders.

| MODEL | DESCRIPTION | CABINET SIZE |
|-------|------------------|------------------------|
| TA18 | Propane Cabinet | 14-3/4"W x 36"H x 13"D |
| TA19 | CO2 Tank Cabinet | 13"W x 32"H x 12-1/2"D |
| TA20 | Mapp Gas Cabinet | 14"W x 26"H x 8"D |



Folding T handles don't stick out into aisles.

SHELF CABINETS

- Available in 12" and 18" front to rear lengths
- Can be used free standing or stacked with our lockable drawer units.
- Feature locking recessed tee-handles for secure storage and receive a durable gray powder coat finish.
- Cabinets feature an open side and can be combined for side-by-side use holding items up to 35" long.
- Optional end panel can be added to close off side when required.
- Include an adjustable shelf that can be removed
- Cabinets provide a solid surface to stack modular drawers, cabinets and bins.

| MODEL | DESCRIPTION | CABINET SIZE |
|-------|-------------------------|--------------------|
| 1 | Shelf Cabinet | 18"W x 22"H x 18"L |
| 12 | Shelf Cabinet Open Side | 18"W x 22"H x 12"L |
| 1A | Optional Shelf | No. 1 |
| 12A | Optional End Panel | No.12 |



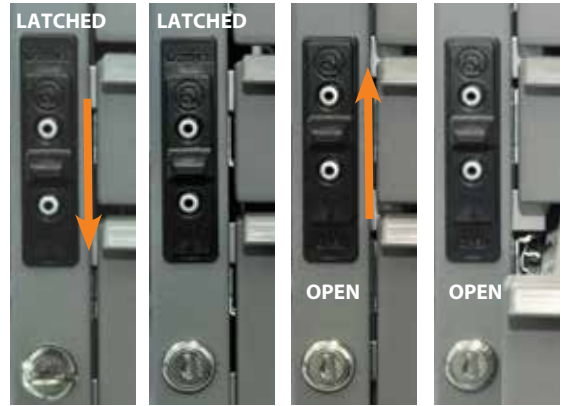
CABINET LOCKERS

- Full-door Lockers feature a 46" high storage space with 3 removable shelves.
- Short-door Lockers feature a 33" high storage area and with 2 removable shelves.
- Locker doors are reversible for flexibility and feature locked recessed T-handles for security.
- Cabinet Lockers taper from 14" to 12" from front to back in depth at top and bottom to maximize aisle space.

| MODEL | DESCRIPTION | CABINET SIZE |
|---------|---------------------------|--------------------|
| CL1446R | Cabinet Locker Full Door | 18"W x 46"H x 14"D |
| CL1446D | Cabinet Locker Short Door | 18"W x 46"H x 14"D |



2.5" deep drawers come with ABS divided and removable trays perfect for small parts.



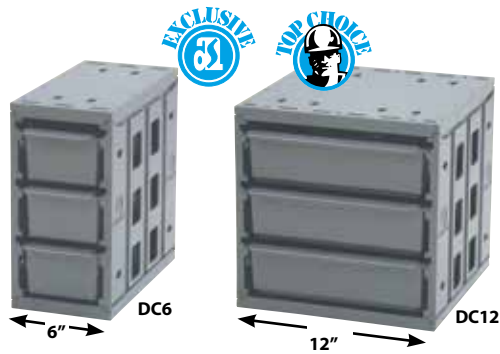
Latched & Locked Latched & Unlocked Drawers Unlatched Drawers Open

DRAWER UNITS – LOCK 'N LATCH SYSTEM

- Our exclusive Lock 'n Latch system provides a choice of drawers open, drawers retained or drawers locked position.
- Drawers are made of an engineered composite material for durability with heavy-duty drawer glides for support and smoother drawer operation.
- The new drawer glides significantly increase the ease of use when opening and closing the drawer units. They all but eliminate the rattle noise of the drawers when the driving the vehicle.
- Drawers and glides can be repositioned within cabinet for increased flexibility.
- Divide 5" deep drawers into compartments using optional metal "egg crate" dividers.

| MODEL | DESCRIPTION | DRAWER SIZE (QTY.) |
|-------|------------------|--|
| 19 | 2 Drawer Medium | 16"W x 5"D x 11-1/2"L (2) |
| 919 | 3 Drawer Combo | 16"W x 2-1/2"D x 11-1/2"L (2) 16"W x 5"D x 11-1/2"L (1) |
| 9 | 4 Drawer Shallow | 16"W x 2-1/2"D x 11-1/2"L (4) |
| 27 | Divider Kit | 19 or 919 Drawer (1) |

Steel outer cabinet measures 18"W x 12"H x 12"L.



DRAWER COMPONENTS

- Organize small parts with our flexible and rugged composite Drawer Components.
- Drawer retention stops prevent drawers from opening while the vehicle is in transit.
- Made of a hi-impact polymer for a quiet operation.
- Each drawer comes with 2 dividers and 7 divider slots.
- Interlocking feature allows up to 2 units stacked vertically or multiple units horizontally.
- Choose from Adrian Steel's pre-configured drawer systems or create your own drawer system from the base models.

| MODEL | DESCRIPTION | OVERALL SIZE |
|----------|----------------------------|--------------------|
| DC6 | Base 3 drawer narrow model | 6"W x 12"H x 12"D |
| DC12 | Base 3 drawer wide model | 12"W x 12"H x 12"D |
| DS06212V | Drawer System (2) DC12's | 12"W x 24"H x 12"D |
| DS36012H | Drawer System (3) DC6's | 18"W x 12"H x 12"D |
| DS46012 | Drawer System (4) DC6's | 12"W x 24"H x 12"D |

5lb. weight capacity per drawer.

#2 Cabinet Size
18"W x 24"H x 18"L

#8 Cabinet Size
18"W x 18"H x 12"L



DRAWER UNITS – LOCKING HINGE AND HASP

- Drawers are welded and have reinforced drawer slides for strength.
- Can be locked with a padlock (not included) for security.
- Divide drawers with optional metal "egg crate" dividers.

| MODEL | DESCRIPTION | DRAWER SIZE (QTY.) |
|-------|-----------------|---------------------------|
| 8 | 3 Drawer Medium | 16"W x 5"D x 11-1/2"L (3) |
| 2 | 4 Drawer Medium | 16"W x 5"D x 17-1/2"L (4) |
| 25 | Divider Kit | No. 2 Drawer (1) |
| 26 | Divider Kit | No. 8 Drawer (1) |

TOTE TRAYS AND CASES

- Take small parts and tools right to the job site with removable tote trays and cases.
- Totes are available in both steel tray and poly case designs.
- Steel tote trays feature fold-down carry handles and four large storage compartments with adjustable dividers.
- Poly tote cases offer a see-through lid with latches to prevent spilling, four large compartments and twelve adjustable dividers.
- Trays and cases store in a 19.75"W x 20-1/8"H x 13-3/8"L modular rack that can be stacked or floor mounted.



Portable trays

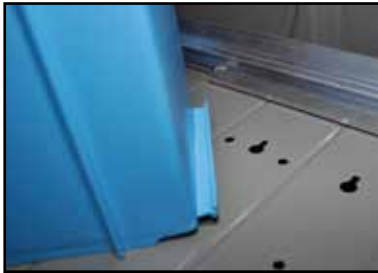
| MODEL | DESCRIPTION | TOTE STYLE (QTY.) |
|--------|-----------------------|--------------------------------|
| SPT-4 | Combo Totes and Rack | Steel Trays (2) Poly Cases (2) |
| SPT-4P | Poly Totes and Rack | Poly Cases (4) |
| SPT-4S | Steel Totes and Rack | Steel Trays (4) |
| SPT-S | Additional Steel Tray | 18.5"W x 3"D x 12.5"L |
| SPT-P | Additional Poly Tote | 18.5"W x 3"D x 12.5"L |

ADRIAN'S BLUE BIN SYSTEM IS PERFECT FOR VISUAL INVENTORY MANAGEMENT.



- 6" and 12" bins maximize the ADseries shelf space.
- The innovative rail system locks the bins in place on the shelf.
- The bins can nest on top of each other when at the job site or in the warehouse getting filled to go.
- Add a label to the front so you can find parts quickly
- Each bin can accommodate one optional divider.

Order our predefined bin systems or create your own configuration of bins. Please note that the bins and the rail are a system. To obtain all the features listed above, both must be ordered.

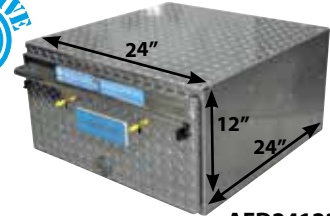
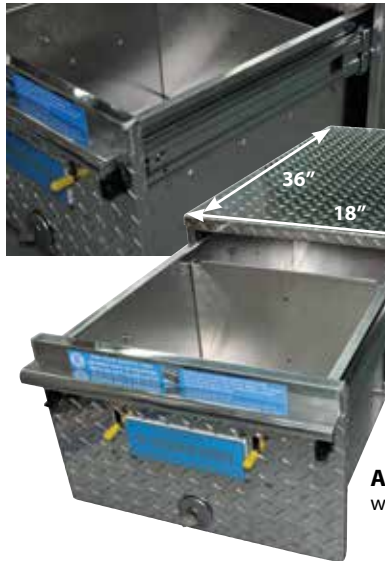


The innovative rail system locks the bins in place on the shelf.

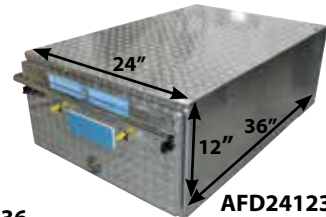
| MODEL | DESCRIPTION |
|------------|--------------------------------------|
| SBIN060614 | 6" Blue Bin |
| SBIN120614 | 12" Blue Bin |
| SBINDIV | Divider |
| BR36212 | Bin System: 3-6" & 2-12" bins w/rail |
| BR76012 | Bin System: 7-6" bins with rail |
| SRAILAD26 | 26" Retention rail |
| SRAILAD32 | 23" Retention rail |
| SRAILAD44 | 44" Retention rail |
| SRAILAD50 | 50" Retention rail |

ALUMINUM FLOOR DRAWERS

- Adrian Steel exclusive Anti-Slam latch keeps drawer from closing without positive latch activation. The only aluminum drawer in the industry with this feature!
- An automotive grade lock keeps expensive cargo secure and the adjustable divider helps keep contents segmented.
- The integral latch keeps the drawer open when you are on an incline and closed when you're done!
- Heavy duty grab handles and ball bearing slides allow the drawer to open and close with ease.
- Can be stacked to utilize large cubic storage areas.
- 24" deep units have a weight capacity of 350 lbs. and the 36" deep have a 325 lb. weight capacity.



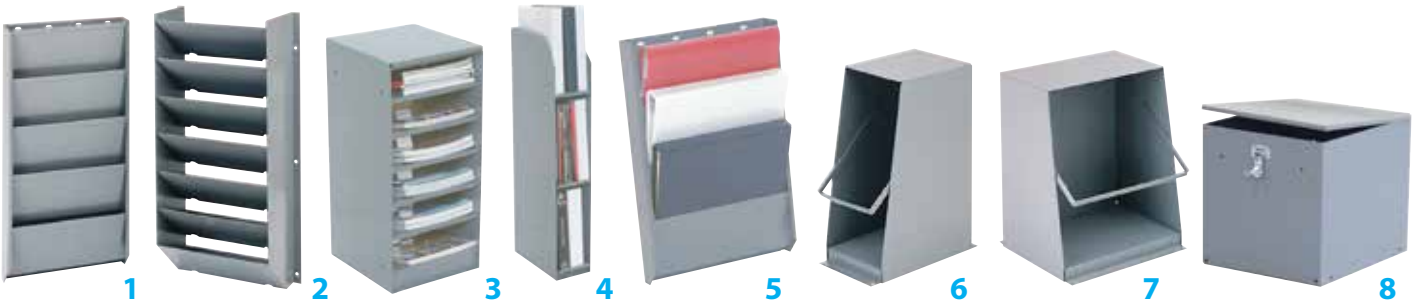
AFD241224
weight 46lbs.



AFD181236
weight 52lbs.

AFD241236
weight 60lbs.

LITERATURE FILES



- 1: CB5 Five Slot Literature Holder** Mount on partition or other vertical surface. 2-1/2" deep pockets. Overall size: 12"W, 24"H, 2-1/2"D.
- 2: CB7 Seven Slot Literature Holder** Mount on partition or other vertical surface. 6-3/4" deep pockets. Overall size: 14-3/4"W, 28-7/8"H, 7"D.
- 3: 17A Six Shelf Catalog File** Designed for catalogs but also serves to store a variety of materials between the 3" shelf spacings. Overall size: 11"W, 24"H, 12"D.
- 4: 43 Three Shelf Catalog File** Fits in narrow spaces. It has three tilted shelves. Perfect for binders and catalogs. Overall size: 6" W, 34" H, 12" D.

- 5: BH4 Four Slot Binder Holder** Designed to mount on partition or almost any vertical surface. Excellent for binders. Each pocket is 2 1/2" deep. Overall size: 12-3/4" W, 19-1/2" H, 2-1/2" D.
- 6: CB2 Two Book File** Mounts on the floor between front seats and partition. Holds folders 12"H x 10-1/2"D. Overall size: 6"W, 14"H, 12"D.
- 7: CB3 Three Book File** Mounts on cabinet tops or on the floor. Multiple units can be flush-mounted. Holds folders 12"H x 10-1/2"D. Overall size: 10-3/4"W, 14"H, 12"D.
- 8: CB4 Utility Storage Box** Stores a variety of printed material. Also suitable for keeping tools, safety glasses, gloves and other items. Hinged lid. Overall size: 12"W, 12"H, 14"D.



1



2



3



4



5

1: DST21 Door Storage Tray offers convenient access to parts and tools.

Overall size: 20" W, 4" D, 8" H

2: Aerosol Can Tray secure cans for easy access.

ACT3 - 3 Can Tray Overall size: 11-3/4" W, 4" D, 6-3/4" H

ACT4 - 4 Can Tray Overall size: 15-7/16" W, 4" D, 6-3/4" H

3: 14 Step Stool has a wide base and is 12" high. Stool can be used with a workbench or as an auxiliary step. Top measures 10" x 20" One size.

4: TA2 Hard Hat Holder secures hat to partition or shelving.

5: VMA36 Vise Mount Assembly is floor mounted and telescopes out beyond side or rear cargo doors when fully opened. Measures 36" closed and 60" open.

6: Touch-Up Paint in spray cans match Steel-Cote™ finish. Three colors:

STP12G - Gray **STP12W** - White **STP12B** - Black

7: Door Tray comes with two dividers and has optional lid for containment.

DT21 - Door Tray Overall size: 18" W, 4" D, 4" H

DTL21 - Door Tray Lid for DT21 only

DTWL21 - Door Tray with Lid Overall size: 20" W, 4" D, 4" H

8: Hooks organize a variety of cargo in easy-to-access locations.

UH10 - 1" hook

UH25 - 2.5" hook

UH50 - 5" hook

TA1 - Four hook bar

9: Parts Tray features a 2" deep shelf lip. Can be mounted to cabinet and drawer modules for added top storage.

4A - Parts Tray Overall size: 36" W, 12" D, 2" H

4B - Parts Tray Overall size: 18" W, 12" D, 2" H

10: Work Mat (not shown) Skid resistant commercial rubber floor mat with an aluminum threshold for the side and rear doors.

88-118PM - ProMaster 118" WB **88-159PM** - ProMaster 159" WB

88-136PM - ProMaster 136" WB **88-159EXPM** - ProMaster 159"EXT WB

11: Composite Floor (not shown) Solid surface flooring that protects the vehicle floor while eases the loading and unloading large cargo.

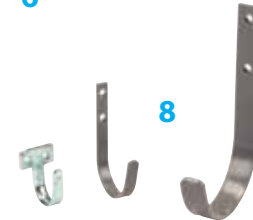
89-PM136 - ProMaster 136" WB **89-PM159** - ProMaster 159" WB



6



Storage for small parts 7



8



9

REEL HOLDERS



1



2



3



4

1: CRH2 Cable Reel Holder features a durable frame, two steel shafts that holds up to a 15-1/2" diameter reel by 14" wide. Overall size: 19-1/8" W, 16" D, 44-7/8" H

2: KDRH2 Cable Reel Holder holds large spools up to 16" wide and 18" in diameter. Spools nest on conveyor rollers. Includes tie-down chains with neoprene covers. Overall size: 18" W, 46" H, 18" D

3: WRH5 Wire Reel Holder Five removable bars hold wire spools up to 6" in diameter. Reel Holder mounts to shelf ends or any vertical surface. Overall size: 12" W, 25" H, 4" D

4: End Panel Reel Holder Bar mounts between ADseries shelf end panels for easy access to spools of cable and wire.

KDRH1426 - fits 26" shelf **KDRH1432** - fits 32" shelf
KDRH1444 - fits 44" shelf **KDRH1450** - fits 50" shelf

WIRE WINDOW SCREENS

60-PM-MLXW ProMaster LWB curbside sliding door and rear door Window Screen Kit.

60-PM SWB ProMaster SWB curbside sliding door and rear door Window Screen Kit.

60-129 ProMaster Rear Door Screen (1)

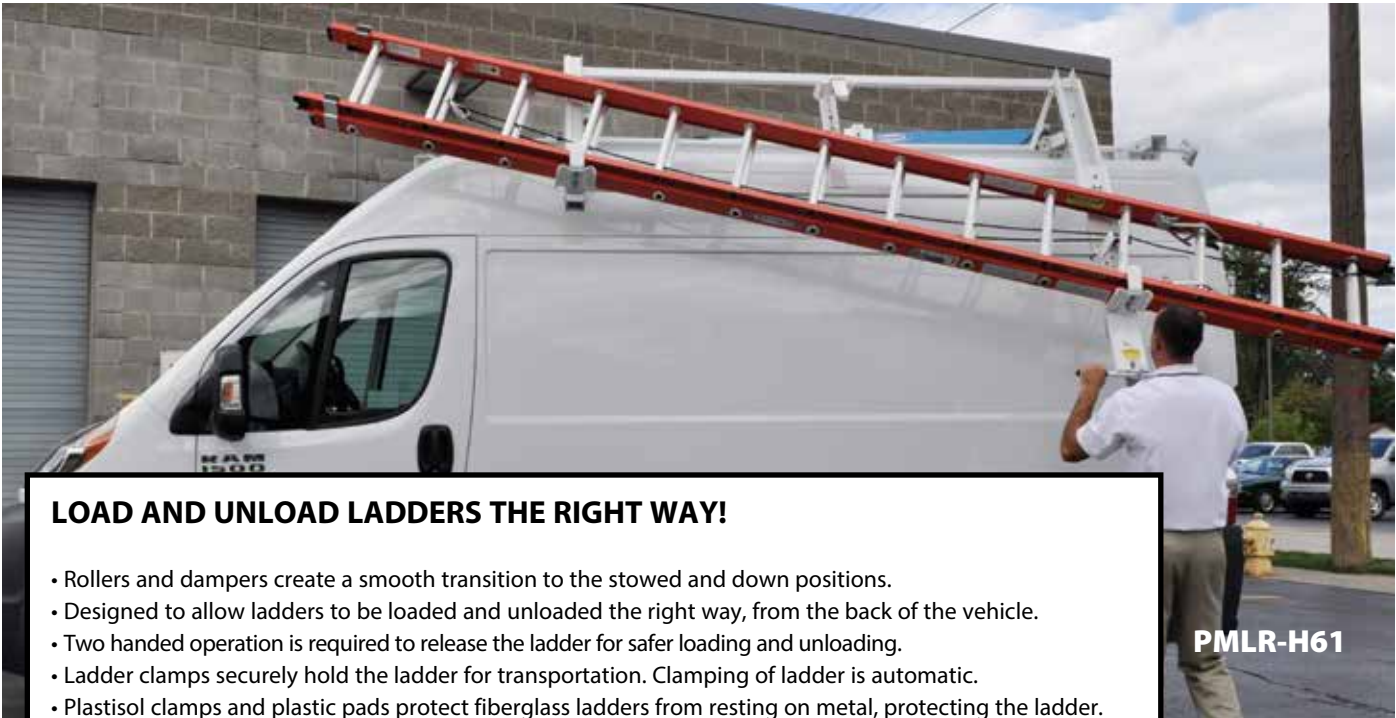
60-130 ProMaster SWB Sliding Door Screen (1)

60-131 ProMaster LWB Sliding Door Screen (1)

60-PMCRD ProMaster City Rear Doors Screen (2)

60-PMCSL ProMaster City Sliding Side Doors Screen (2)





PMLR-H61

LOAD AND UNLOAD LADDERS THE RIGHT WAY!

- Rollers and dampers create a smooth transition to the stowed and down positions.
- Designed to allow ladders to be loaded and unloaded the right way, from the back of the vehicle.
- Two handed operation is required to release the ladder for safer loading and unloading.
- Ladder clamps securely hold the ladder for transportation. Clamping of ladder is automatic.
- Plastisol clamps and plastic pads protect fiberglass ladders from resting on metal, protecting the ladder.
- The LoadsRite Ladder Rack can carry 16' - 36' extension ladders.
- The all aluminum design maximizes payload.
- Order **PMLRSLKHR** Step Ladder Kit to carry shorter ladders.



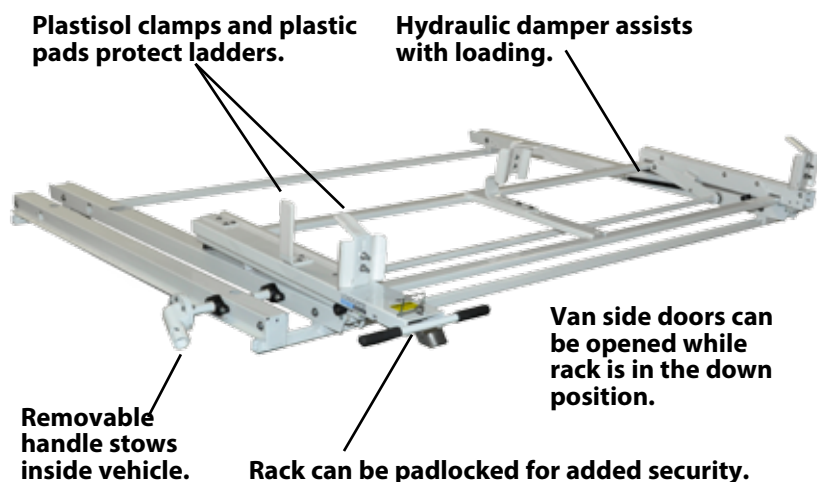
ROTATE HANDLE



PRIMARY DROP



SECONDARY DROP & UNLOAD LADDER



LOADSRITE FOR PROMASTER STANDARD ROOF

| MODEL | DESCRIPTION |
|------------|--------------------------|
| PMLR-SWS61 | Single drop-down, 118"WB |
| PMLR-SWS63 | Double drop-down, 118"WB |
| PMLR-LWS61 | Single drop-down, 136"WB |
| PMLR-LWS63 | Double drop-down, 136"WB |

LOADSRITE FOR PROMASTER HIGH ROOF

| MODEL | DESCRIPTION |
|----------|---------------------------------|
| PMLR-H61 | Single drop-down, 136" & 159"WB |
| PMLR-H63 | Double drop-down, 136" & 159"WB |

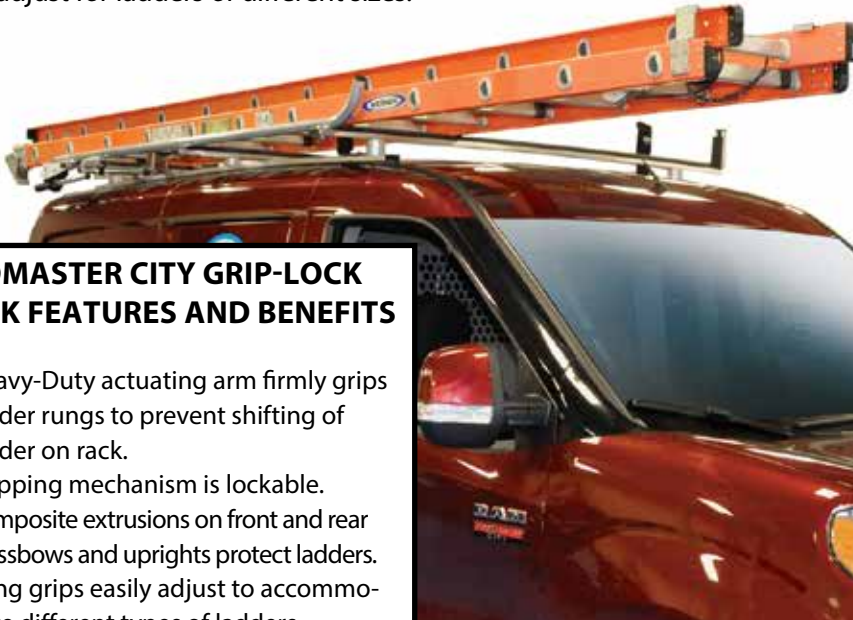
LOADSRITE FOR PROMASTER RAIL KITS

| MODEL | DESCRIPTION |
|------------|------------------|
| PMLRRKSWB | 118"WB Rail Kit |
| PMLRRKMWB | 136"WB Rail Kit |
| PMLRRKLWB | 159"WB Rail Kit |
| PMLRRKXLWB | 159X"WB Rail Kit |

NOTE: Must order the appropriate Rail Kit to complete the ladder rack.

GRIP YOUR LADDERS SECURELY WITH ADRIAN'S LOCKING STYLE LADDER RACKS.

Adrian's Grip-Lock racks protect the sides and roof of your van during loading and unloading ladders. All Grip-Lock racks feature a lockable, gripping mechanism which firmly secures one or two ladders to the top of the van. Racks easily adjust for ladders of different sizes.



| MODEL | DESCRIPTION |
|----------|--|
| 61-PMC | Single Grip Lock Rack, fits ProMaster City |
| 63-PMC | Double Grip Lock Rack, fits ProMaster City |
| 2BPMC | Aluminum Utility Rack, fits ProMaster City |
| 61TCSSUR | Utility Rack add on kit, fits 61-PMC |

PROMASTER CITY GRIP-LOCK RACK FEATURES AND BENEFITS

- Heavy-Duty actuating arm firmly grips ladder rungs to prevent shifting of ladder on rack.
- Gripping mechanism is lockable.
- Composite extrusions on front and rear crossbars and uprights protect ladders.
- Rung grips easily adjust to accommodate different types of ladders.
- Features an all aluminum design with a natural aluminum finish.
- There are no straps to deal with, clamping of ladder is automatic.
- Accommodates up to a 24 ft. extension ladder.
- To carry a 6 ft. step ladder, order **1BPMCGL**.



61-PMC Single Grip Lock Rack with a 61TCSSUR Utility Rack add on kit on a ProMaster City.

UTILITY RACK - PROMASTER STANDARD ROOF

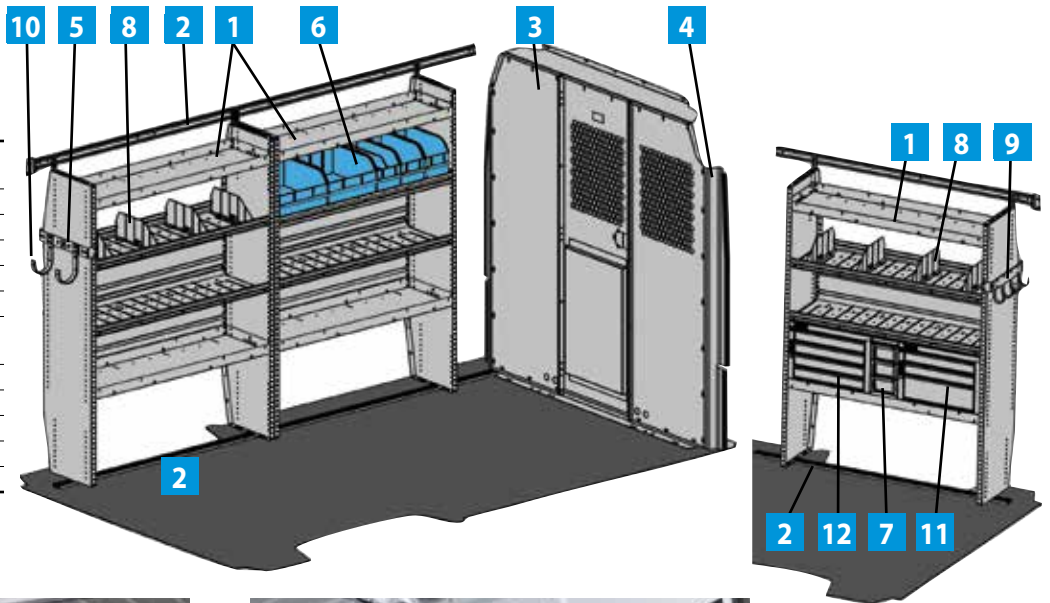


| MODEL | DESCRIPTION | COLOR |
|-----------|--------------------------------------|-------|
| 3BARRPM-B | 3 Bar Utility Rack w/rear roller bar | Black |
| 3BARRPM-W | 3 Bar Utility Rack w/rear roller bar | White |
| 2BARRPM-B | 2 Bar Utility Rack w/rear roller bar | Black |
| 2BARRPM-W | 2 Bar Utility Rack w/rear roller bar | White |
| 1BARRPM-B | 1 Crossbar | Black |
| 1BARRPM-W | 1 Crossbar | White |
| 80-1 | Aluminum Conduit Carrier 10'6" | |
| 80-2 | Aluminum Conduit Carrier 12'6" | |

- This all aluminum rack is designed to reduce corrosion by eliminating much of the welding.
- The uprights are fully plastisolled to protect against wear and reduce ladder fatigue.
- Uprights feature many attachment points for securing cargo straps.
- Weather resistant cross bar is not cut to fit or perforated in any way improving longevity of the rack.
- The Rear Roller Bar eases loading and unloading of the rack.
- The Rear Roller comes standard with the 2 and 3 Bar racks.
- Available in our durable black or white powder coat paint.
- Optional center bars support shorter lengths and provide additional support.

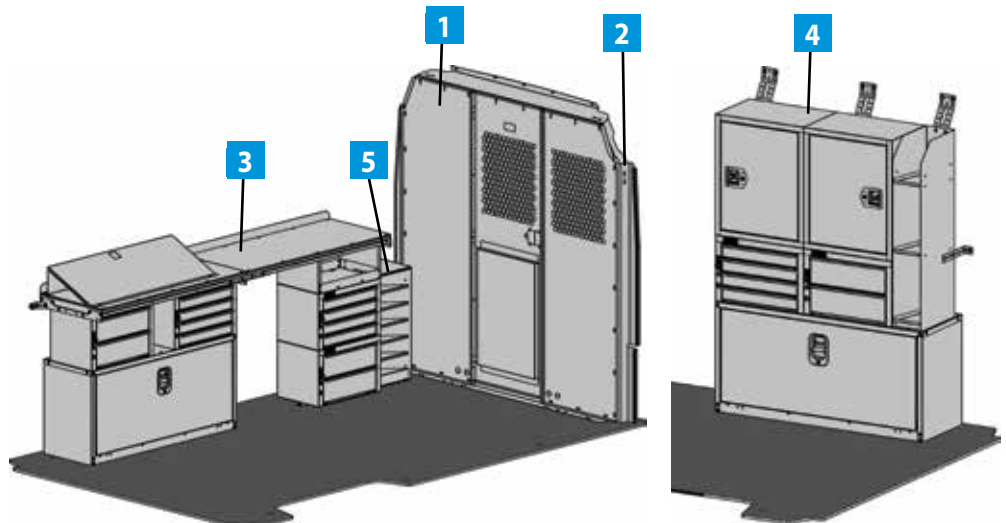
**5180
GENERAL SERVICE PACKAGE
RAM PROMASTER 136" WB**

| ITEM | MODEL | DESCRIPTION | QTY |
|------|-----------|-------------------------|-----|
| 1 | HAD4459 | ADSeries Shelf Unit 44" | 3 |
| 2 | RKPMWMB | Rail Kit 136" PM | 1 |
| 3 | S1M2HC2PM | Partition with door | 1 |
| 4 | WKC1PM | Partition Wing Kit | 1 |
| 5 | BRK14EPS | End Panel Bracket | 1 |
| 6 | BR36212 | Blue Bin System | 1 |
| 7 | DC6 | 6" Drawer Component | 1 |
| 8 | DV14C8 | Divider Kit of 8 | 1 |
| 9 | TA1WAD | 3 Hook Bar | 1 |
| 10 | UH50 | 5" Hook | 2 |
| 11 | 919 | 3 Drawer Combo | 1 |
| 12 | 9 | 4 Drawer Shallow | 1 |



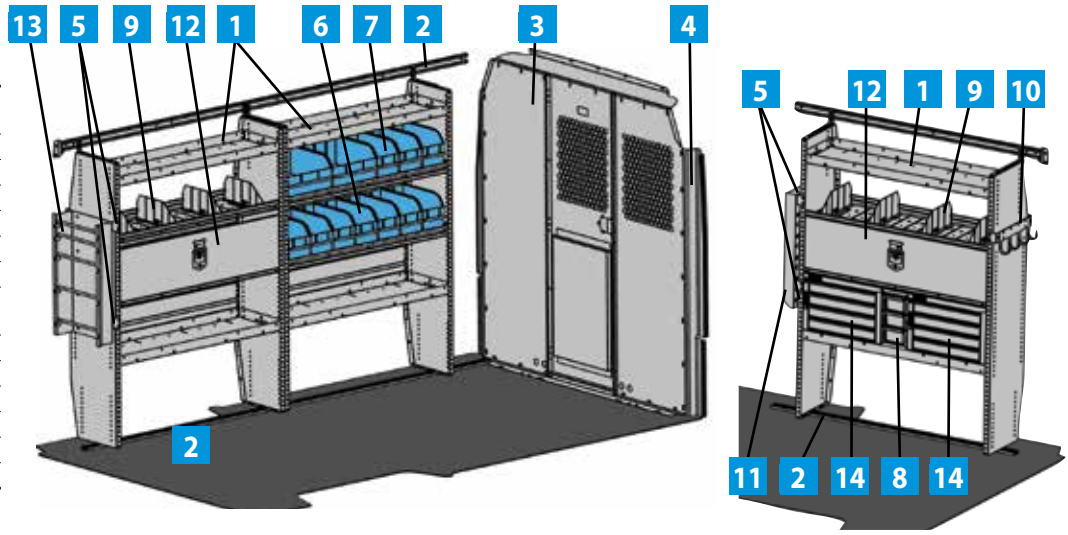
**5274
LOCKSMITH PACKAGE
RAM PROMASTER 136" WB AND
RAM PROMASTER 159" WB**

| ITEM | MODEL | DESCRIPTION | QTY |
|------|-----------|------------------------|-----|
| 1 | S1M2HC2PM | Partition with door | 1 |
| 2 | WKC1PM | Partition Wing Kit | 1 |
| 3 | MD608PM | 84" Workbench Module | 1 |
| 4 | MD506PM | Drawer Module | 1 |
| 5 | 17A | Six Shelf Catalog File | 1 |



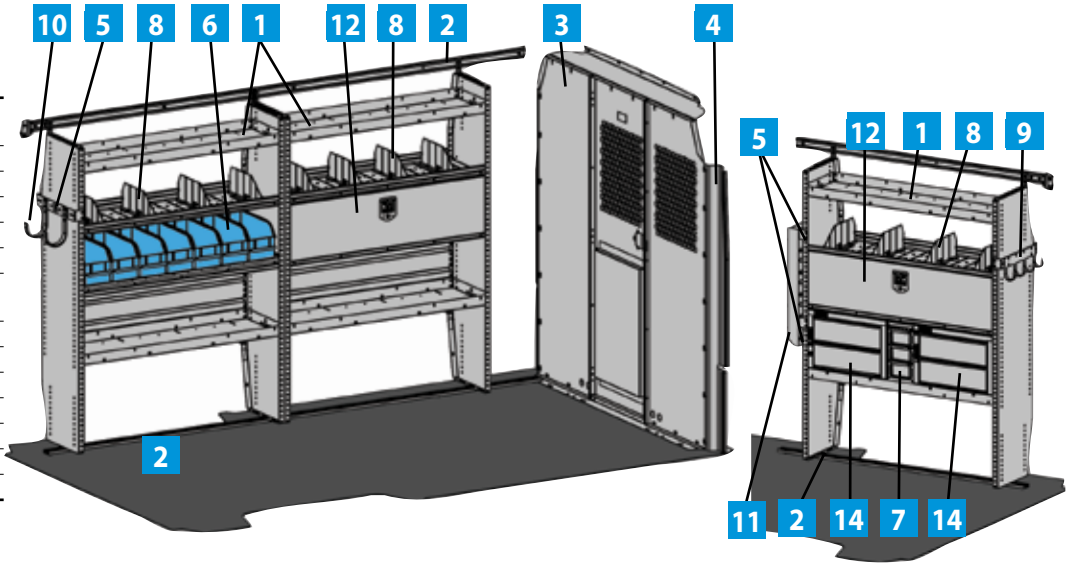
**5181
ELECTRICAL CONTRACTOR
PACKAGE
RAM PROMASTER 136" WB**

| ITEM | MODEL | DESCRIPTION | QTY |
|------|-----------|-------------------------|-----|
| 1 | HAD4459 | ADseries Shelf Unit 44" | 3 |
| 2 | RKPMMWB | Rail Kit 136" PM | 1 |
| 3 | S1M2HC2PM | Partition with door | 1 |
| 4 | WKC1PM | Partition Wing Kit | 1 |
| 5 | BRK14EPS | End Panel Bracket | 4 |
| 6 | BR76012 | Blue Bin System | 1 |
| 7 | BR36212 | Blue Bin System | 1 |
| 8 | DC6 | 6" Drawer Component | 1 |
| 9 | DV14C8 | Divider Kit of 8 | 1 |
| 10 | TA1WAD | 3 Hook Bar | 1 |
| 11 | CB5 | Literature Rack | 1 |
| 12 | DK4210 | Door Kit | 2 |
| 13 | WRH5 | Wire Reel Holder | 1 |
| 14 | 9 | 4 Drawer Shallow | 2 |



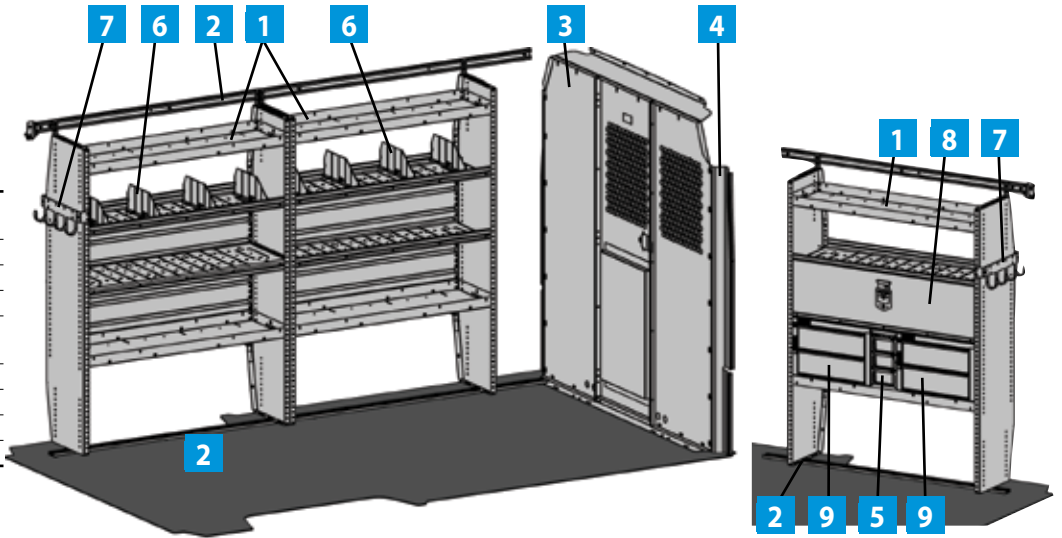
**5182
SECURITY PACKAGE
RAM PROMASTER 136" WB**

| ITEM | MODEL | DESCRIPTION | QTY |
|------|-----------|-------------------------|-----|
| 1 | HAD4459 | ADseries Shelf Unit 44" | 3 |
| 2 | RKPMMWB | Rail Kit 136" PM | 1 |
| 3 | S1M2HC2PM | Partition with door | 1 |
| 4 | WKC1PM | Partition Wing Kit | 1 |
| 5 | BRK14EPS | End Panel Bracket | 3 |
| 6 | BR76012 | Blue Bin System | 1 |
| 7 | DC6 | 6" Drawer Component | 1 |
| 8 | DV14C8 | Divider Kit of 8 | 1 |
| 9 | TA1WAD | 3 Hook Bar | 1 |
| 10 | UH50 | 5" Hook | 2 |
| 11 | CB5 | Literature Rack | 1 |
| 12 | DK4210 | Door Kit | 2 |
| 13 | DV14C1 | Shelf Divider | 4 |
| 14 | 19 | 2 Drawer Medium | 2 |



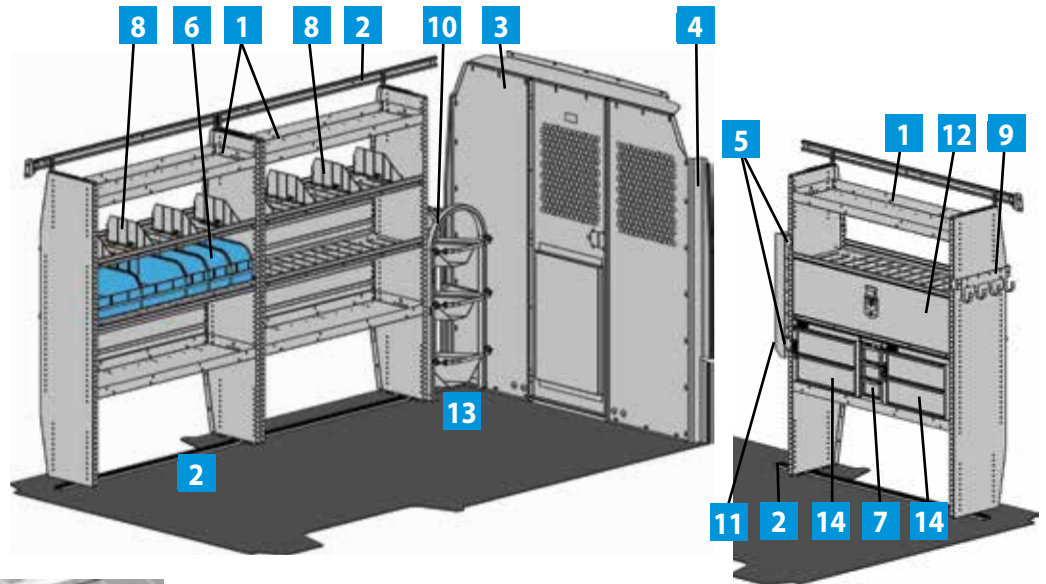
**5183
CABLE PACKAGE
RAM PROMASTER 136" WB**

| ITEM | MODEL | DESCRIPTION | QTY |
|------|-----------|-------------------------|-----|
| 1 | HAD4459 | ADseries Shelf Unit 44" | 3 |
| 2 | RKPMMWB | Rail Kit 136" PM | 1 |
| 3 | S1M2HC2PM | Partition with door | 1 |
| 4 | WKC1PM | Partition Wing Kit | 1 |
| 5 | DC6 | 6" Drawer Component | 1 |
| 6 | DV14C8 | Divider Kit of 8 | 1 |
| 7 | TA1WAD | 3 Hook Bar | 2 |
| 8 | DK4210 | Door Kit | 1 |
| 9 | 19 | 2 Drawer Medium | 2 |



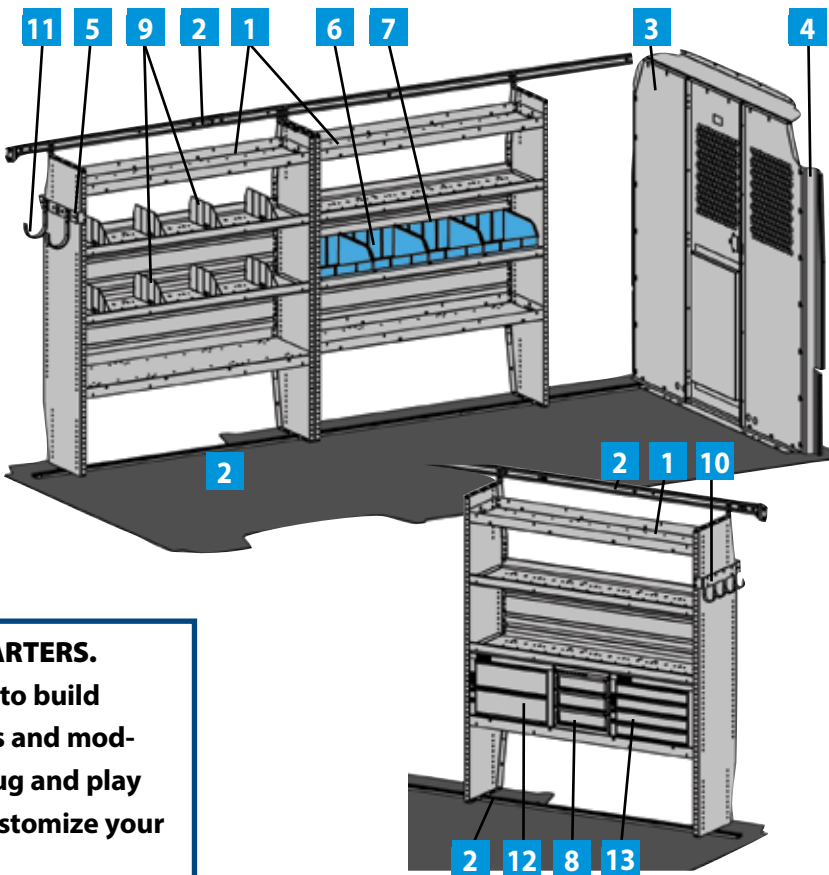
**5184
HVAC PACKAGE
RAM PROMASTER 136" WB**

| ITEM | MODEL | DESCRIPTION | QTY |
|------|-----------|-------------------------|-----|
| 1 | HAD4459 | ADseries Shelf Unit 44" | 3 |
| 2 | RKPMMWB | Rail Kit 136" PM | 1 |
| 3 | S1M2HC2PM | Partition with door | 1 |
| 4 | WKC1PM | Partition Wing Kit | 1 |
| 5 | BRK14EPS | End Panel Bracket | 2 |
| 6 | BR36212 | Blue Bin System | 1 |
| 7 | DC6 | 6" Drawer Component | 1 |
| 8 | DV14C8 | Divider Kit of 8 | 1 |
| 9 | TA1WAD | 3 Hook Bar | 1 |
| 10 | WTR230150 | Welded Tank Rack | 1 |
| 11 | CB5 | Literature Rack | 1 |
| 12 | DK4210 | Door Kit | 1 |
| 13 | RKAWTR | Tank Rack Adapter | 1 |
| 14 | 19 | 2 Drawer Medium | 2 |



**5185
GENERAL SERVICE PACKAGE
RAM PROMASTER 159" WB**

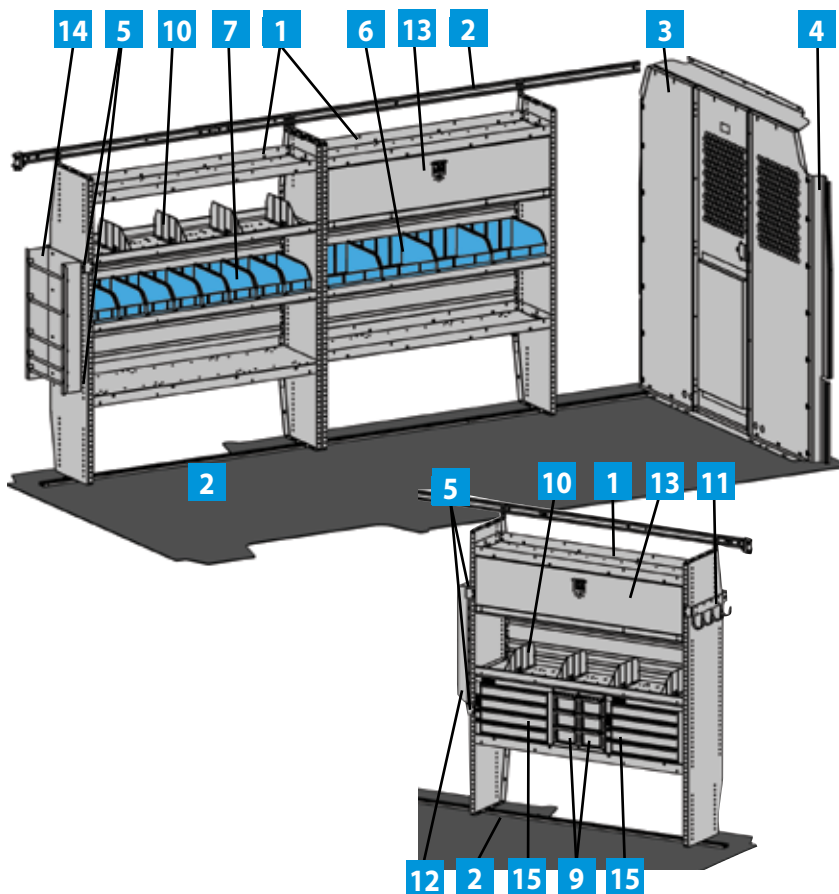
| ITEM | MODEL | DESCRIPTION | QTY |
|------|------------|-------------------------|-----|
| 1 | HAD5059 | ADseries Shelf Unit 50" | 3 |
| 2 | RKPMLWB | Rail Kit 159" PM | 1 |
| 3 | S1M2HC2PM | Partition with door | 1 |
| 4 | WKC1PM | Partition Wing Kit | 1 |
| 5 | BRK14EPS | End Panel Bracket | 1 |
| 6 | SBIN120614 | Blue Bin 12" | 4 |
| 7 | SRAILAD50 | Snap Rail for Blue Bins | 1 |
| 8 | DC12 | 12" Drawer Component | 1 |
| 9 | DV14C8 | Divider Kit of 8 | 1 |
| 10 | TA1WAD | 3 Hook Bar | 1 |
| 11 | UH50 | 5" Hook | 2 |
| 12 | 19 | 2 Drawer Medium | 1 |
| 13 | 9 | 4 Drawer Shallow | 1 |



TRADE PACKAGES ARE THOUGHT STARTERS.
Use these packages as a starting point to build your own interior using the accessories and modules shown in this catalog. With our plug and play shelves and accessories, it is easy to customize your storage options.

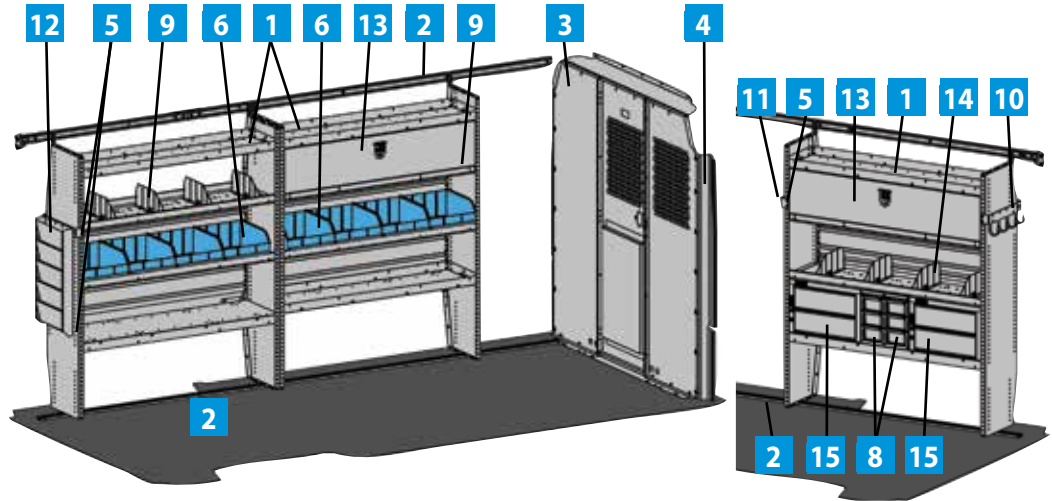
**5186
ELECTRICAL CONTRACTOR PACKAGE
RAM PROMASTER 159" WB**

| ITEM | MODEL | DESCRIPTION | QTY |
|------|------------|-------------------------|-----|
| 1 | HAD5059 | ADseries Shelf Unit 50" | 3 |
| 2 | RKPMLWB | Rail Kit 159" PM | 1 |
| 3 | S1M2HC2PM | Partition with door | 1 |
| 4 | WKC1PM | Partition Wing Kit | 1 |
| 5 | BRK14EPS | End Panel Bracket | 4 |
| 6 | SBIN120614 | Blue Bin 12" | 4 |
| 7 | SBIN060614 | Blue Bin 6" | 8 |
| 8 | SRAILAD50 | Snap Rail for Blue Bins | 2 |
| 9 | DC6 | 6" Drawer Component | 2 |
| 10 | DV14C8 | Divider Kit of 8 | 1 |
| 11 | TA1WAD | 3 Hook Bar | 1 |
| 12 | CB5 | Literature Rack | 1 |
| 13 | DK4810 | Door Kit | 2 |
| 14 | WRH5 | Wire Reel Holder | 1 |
| 15 | 9 | 4 Drawer Shallow | 2 |



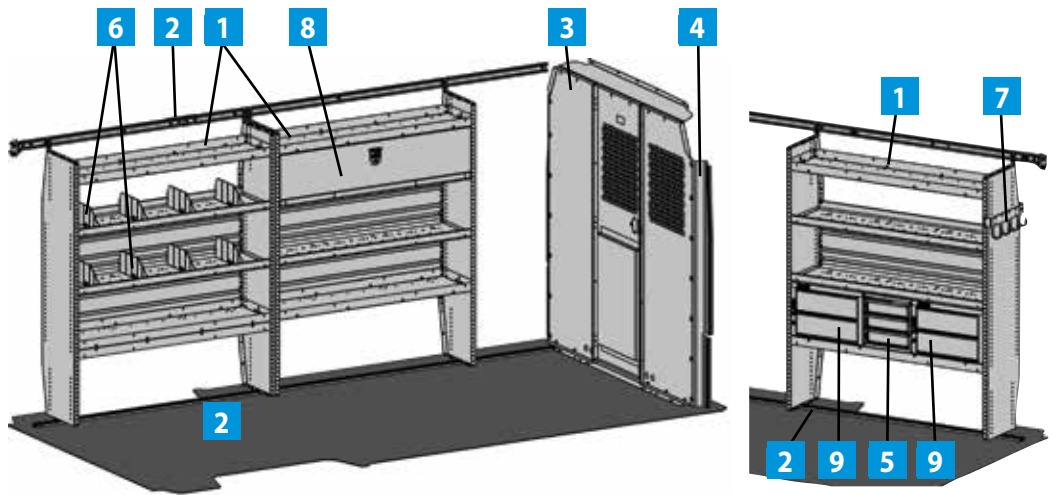
**5187
SECURITY PACKAGE
RAM PROMASTER 159" WB**

| ITEM | MODEL | DESCRIPTION | QTY |
|------|------------|-------------------------|-----|
| 1 | HAD5059 | ADseries Shelf Unit 50" | 3 |
| 2 | RKPLMLWB | Rail Kit 159" PM | 1 |
| 3 | S1M2HC2PM | Partition with door | 1 |
| 4 | WKC1PM | Partition Wing Kit | 1 |
| 5 | BRK14EPS | End Panel Bracket | 3 |
| 6 | SBIN120614 | Blue Bin 12" | 8 |
| 7 | SRAILAD50 | Snap Rail for Blue Bins | 2 |
| 8 | DC6 | 6" Drawer Component | 2 |
| 9 | DV14C8 | Divider Kit of 8 | 1 |
| 10 | TA1WAD | 3 Hook Bar | 1 |
| 11 | UH50 | 5" Hook | 2 |
| 12 | CB5 | Literature Rack | 1 |
| 13 | DK4810 | Door Kit | 2 |
| 14 | DV14C1 | Shelf Divider | 4 |
| 15 | 19 | 2 Drawer Medium | 2 |



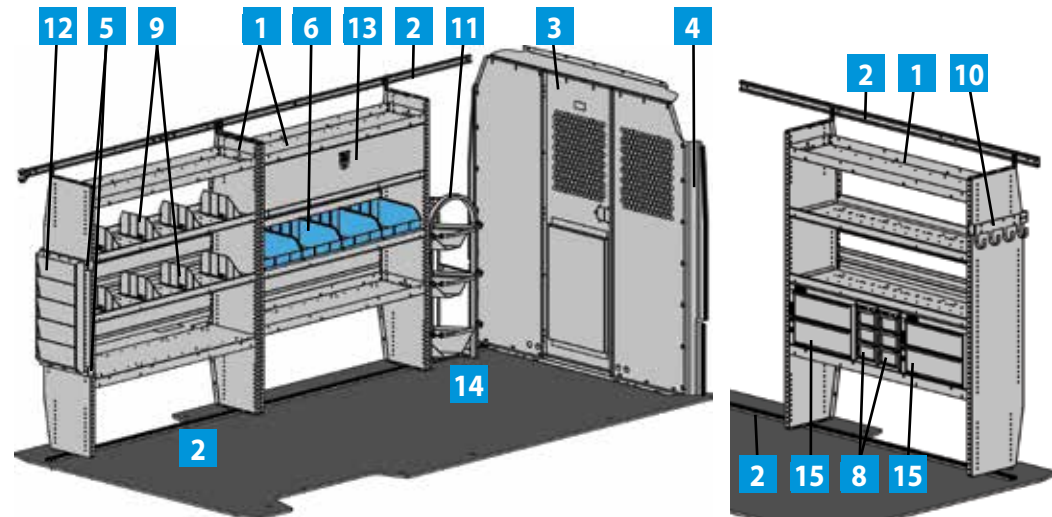
**5188
CABLE PACKAGE
RAM PROMASTER 159" WB**

| ITEM | MODEL | DESCRIPTION | QTY |
|------|-----------|-------------------------|-----|
| 1 | HAD5059 | ADseries Shelf Unit 50" | 3 |
| 2 | RKPLMLWB | Rail Kit 159" PM | 1 |
| 3 | S1M2HC2PM | Partition with door | 1 |
| 4 | WKC1PM | Partition Wing Kit | 1 |
| 5 | DC12 | 12" Drawer Component | 1 |
| 6 | DV14C8 | Divider Kit of 8 | 1 |
| 7 | TA1WAD | 3 Hook Bar | 1 |
| 8 | DK4810 | Door Kit | 1 |
| 9 | 19 | 2 Drawer Medium | 2 |



**5189
HVAC PACKAGE
RAM PROMASTER 159" WB**

| ITEM | MODEL | DESCRIPTION | QTY |
|------|------------|-------------------------|-----|
| 1 | HAD5059 | ADseries Shelf Unit 50" | 3 |
| 2 | RKPLMLWB | Rail Kit 159" PM | 1 |
| 3 | S1M2HC2PM | Partition w/ door | 1 |
| 4 | WKC1PM | Partition Wing Kit | 1 |
| 5 | BRK14EPS | End Panel Bracket | 2 |
| 6 | SBIN120614 | Blue Bin 12" | 4 |
| 7 | SRAILAD50 | Snap Rail for Blue Bins | 1 |
| 8 | DC6 | 6" Drawer Component | 2 |
| 9 | DV14C1 | Shelf Divider | 8 |
| 10 | TA1WAD | 3 Hook Bar | 1 |
| 11 | WTR230150 | Welded Tank Rack | 1 |
| 12 | CB5 | Literature Rack | 1 |
| 13 | DK4810 | Door Kit | 1 |
| 14 | RKAWTR | Tank Rack Adapter | 1 |
| 15 | 19 | 2 Drawer Medium | 2 |



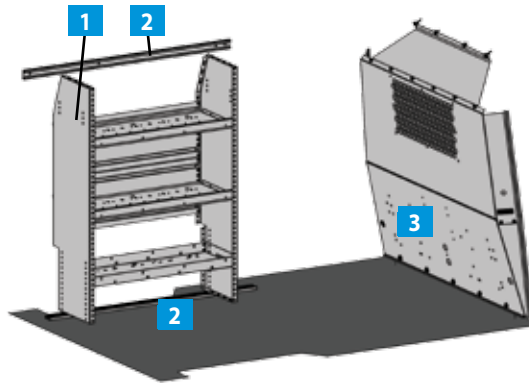
4959PMC

BASE AD SERIES PACKAGE

One 32" ADseries Shelf and Steel Partition

ProMaster City

| ITEM | MODEL | DESCRIPTION | QTY |
|------|----------|------------------------|-----|
| 1 | AD32PMC | ADseries Shelf 14"x32" | 2 |
| 2 | RKPMC | Rail Kit | 2 |
| 3 | P2PMCS15 | Steel Partition | 1 |



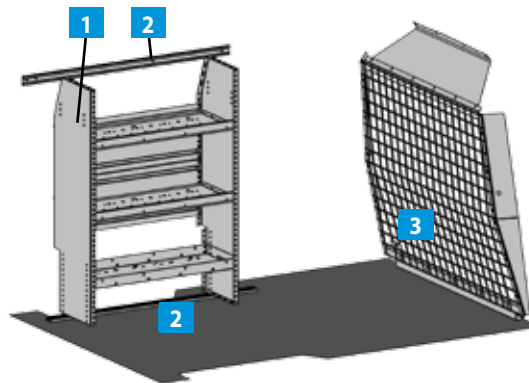
4960PMC

BASE AD SERIES PACKAGE

One 32" ADseries Shelf and Wire Partition

ProMaster City

| ITEM | MODEL | DESCRIPTION | QTY |
|------|-----------|------------------------|-----|
| 1 | AD32PMC | ADseries Shelf 14"x32" | 2 |
| 2 | RKPMC | Rail Kit | 2 |
| 3 | P2PMCFW15 | Wire Partition | 1 |



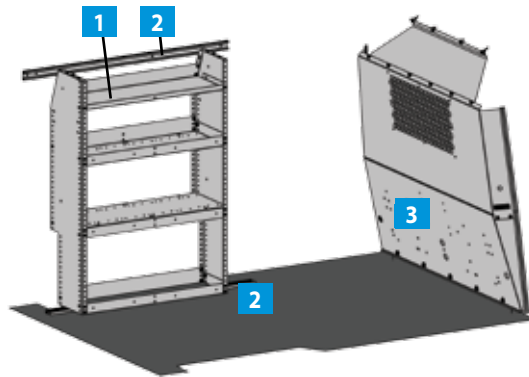
4961PMC

BASE HD PACKAGE

One HD Series Shelf and Steel Partition

ProMaster City

| ITEM | MODEL | DESCRIPTION | QTY |
|------|----------|------------------|-----|
| 1 | HD32TC | HD Shelf 12"x32" | 1 |
| 2 | RKPMC | Rail Kit | 1 |
| 3 | P2PMCS15 | Steel Partition | 1 |



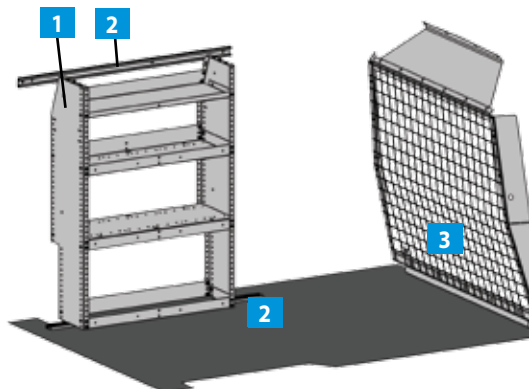
4962PMC

BASE HD PACKAGE

One HD Series Shelf and Wire Partition

ProMaster City

| ITEM | MODEL | DESCRIPTION | QTY |
|------|-----------|------------------|-----|
| 1 | HD32TC | HD Shelf 12"x32" | 1 |
| 2 | RKPMC | Rail Kit | 1 |
| 3 | P2PMCFW15 | Wire Partition | 1 |

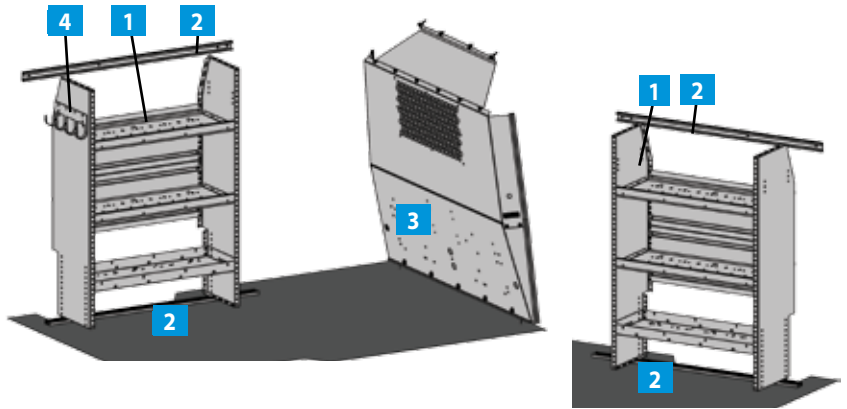


**4964PMC
DUAL AD SHELVING PACKAGE**

Two 32" ADseries Shelves

ProMaster City

| ITEM | MODEL | DESCRIPTION | QTY |
|------|----------|--------------------|-----|
| 1 | AD32PMC | ADseries Shelf 32" | 2 |
| 2 | RKPMC | Rail Kit | 2 |
| 3 | P2PMCS15 | Steel Partition | 1 |
| 4 | TA1 | Hook Bar | 1 |

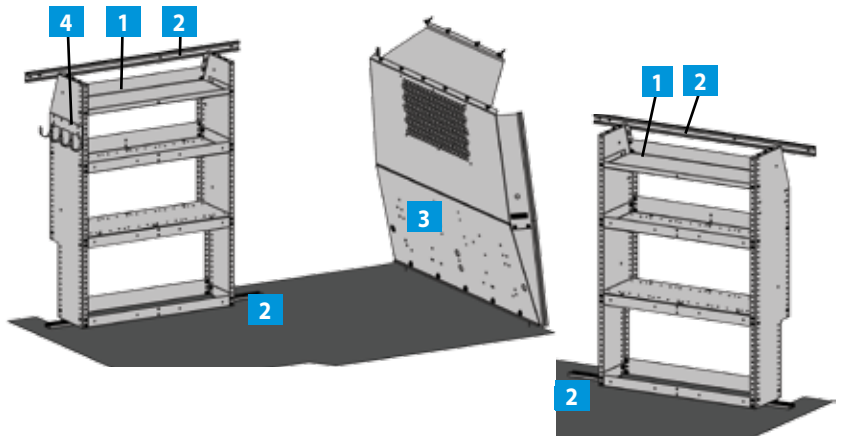


**4965PMC
DUAL HD SHELVING PACKAGE**

Two 32" HD Series Shelves

ProMaster City

| ITEM | MODEL | DESCRIPTION | QTY |
|------|----------|---------------------|-----|
| 1 | HD32TC | HD Series Shelf 32" | 2 |
| 2 | RKPMC | Rail Kit | 2 |
| 3 | P2PMCS15 | Steel Partition | 1 |
| 4 | TA1 | Hook Bar | 1 |

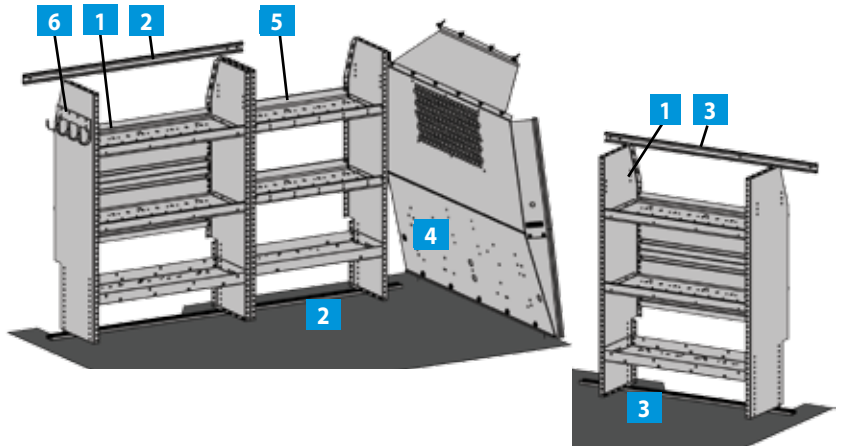


**4966PMC
TRIPLE AD SHELVING PACKAGE**

Two 32" & one 28" ADseries Shelves

ProMaster City

| ITEM | MODEL | DESCRIPTION | QTY |
|------|----------|----------------------------|-----|
| 1 | AD32PMC | ADseries Shelf 32" | 2 |
| 2 | RK72PMC | Rail Kit double streetside | 1 |
| 3 | RKPMC | Rail Kit curbside | 1 |
| 4 | P2PMCS15 | Steel Partition | 1 |
| 5 | AD28PMC | ADseries shelf 28" | 1 |
| 6 | TA1 | Hook Bar | 1 |

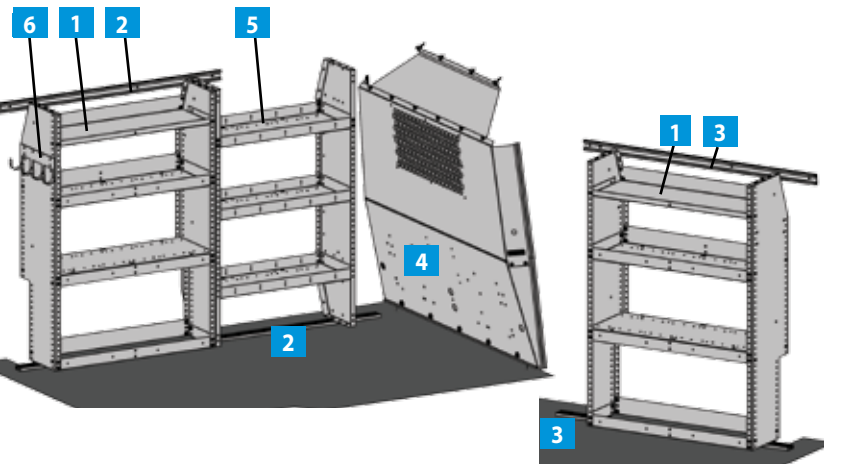


**4967PMC
TRIPLE HD SHELVING PACKAGE**

Two 32" & one 28" HD Series Shelves

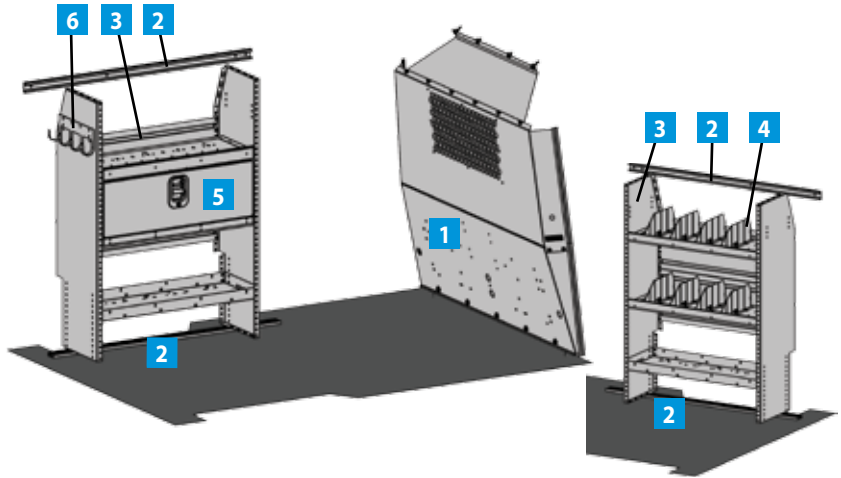
ProMaster City

| ITEM | MODEL | DESCRIPTION | QTY |
|------|----------|----------------------------|-----|
| 1 | HD32TC | HD Series Shelf 32" | 2 |
| 2 | RK72PMC | Rail Kit double streetside | 1 |
| 3 | RKPMC | Rail Kit curbside | 1 |
| 4 | P2PMCS15 | Steel Partition | 1 |
| 5 | HD-28NV2 | HD Series shelf 28" | 1 |
| 6 | TA1 | Hook Bar | 1 |



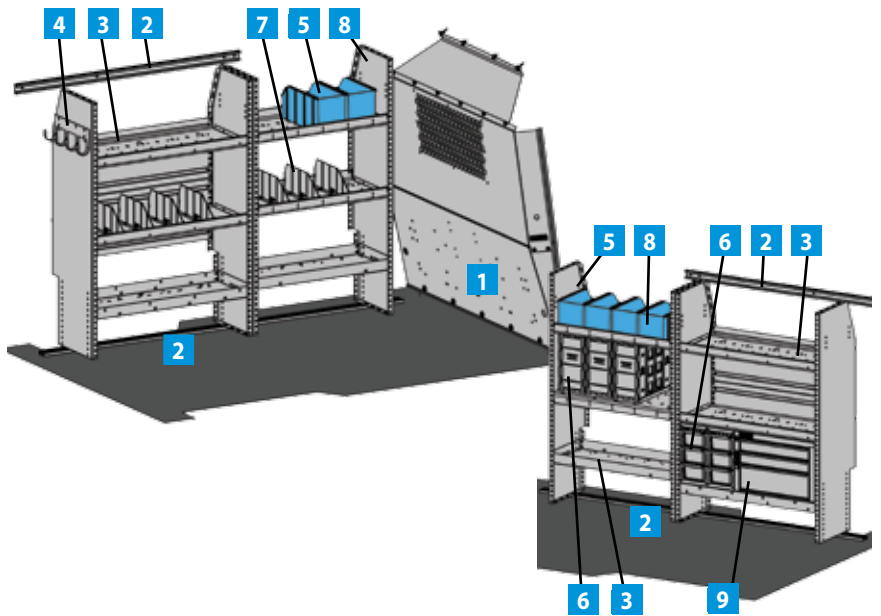
**5098PMC
COMMERCIAL SHELVING PACKAGE
14" ADSERIES SHELVING
ProMaster City**

| ITEM | MODEL | DESCRIPTION | QTY |
|------|----------|--------------------|-----|
| 1 | P2PMCS15 | Steel Partition | 1 |
| 2 | RKPMC | Rail Kit | 2 |
| 3 | AD32PMC | ADseries Shelf 32" | 2 |
| 4 | DV14C8 | Divider kit of 8 | 1 |
| 5 | DK32TC | Door Kit | 1 |
| 6 | TA1 | Four Hook Bar | 1 |



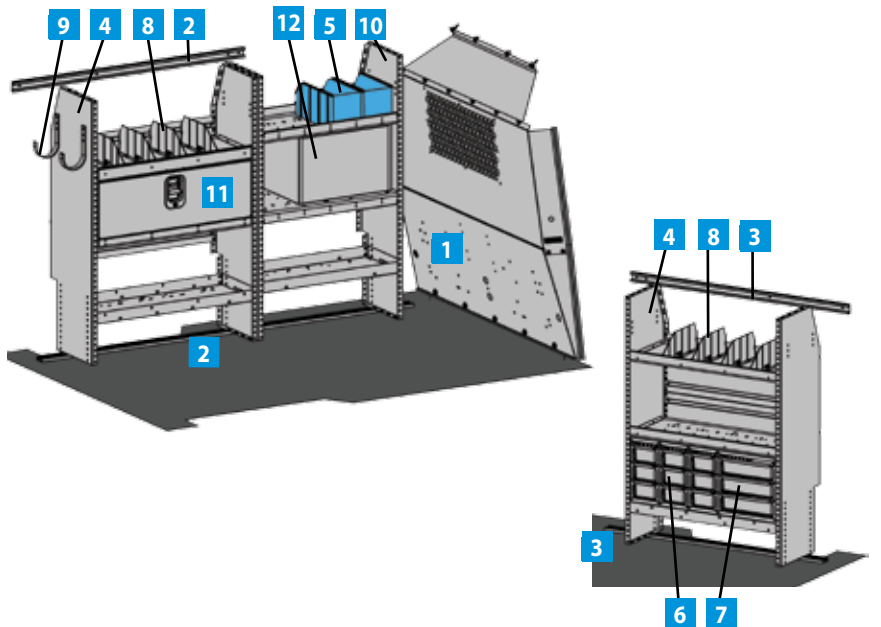
**5100PMC
GENERAL SERVICE PACKAGE
14" ADSERIES SHELVING
ProMaster City**

| ITEM | MODEL | DESCRIPTION | QTY |
|------|------------|---------------------|-----|
| 1 | P2PMCS15 | Steel Partition | 1 |
| 2 | RK72PMC | Rail Kit double | 2 |
| 3 | AD32PMC | ADseries Shelf 32" | 2 |
| 4 | TA1 | Four Hook Bar | 1 |
| 5 | SBIN060614 | 6" Snap-in Bin | 6 |
| 6 | DC6 | 6" Drawer Component | 5 |
| 7 | DV14C8 | Divider kit of 8 | 1 |
| 8 | AD28PMC | ADseries Shelf 28" | 2 |
| 9 | 919 | 3 Drawer Combo | 1 |



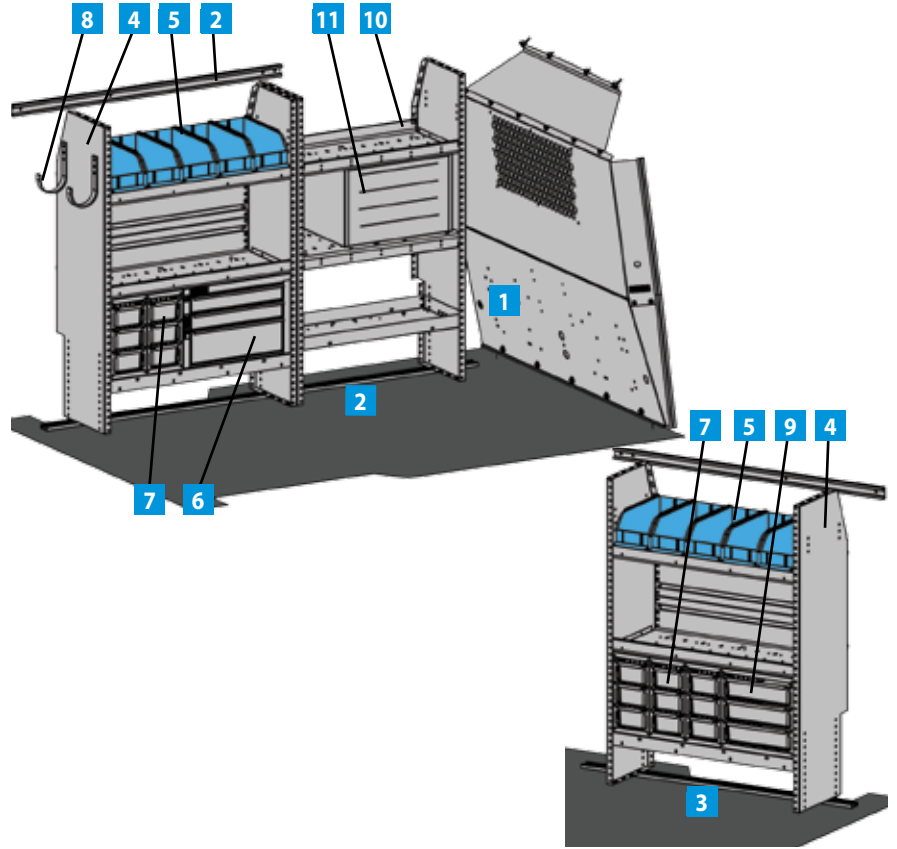
**5097PMC
TELECOMMUNICATIONS PACKAGE
14" ADSERIES SHELVING
ProMaster City**

| ITEM | MODEL | DESCRIPTION | QTY |
|------|------------|-----------------------------|-----|
| 1 | P2PMCS15 | Steel Partition | 1 |
| 2 | RK72PMC | Rail Kit- double streetside | 1 |
| 3 | RKPMC | Rail Kit- curbside | 1 |
| 4 | AD32PMC | ADseries Shelf 32" | 2 |
| 5 | SBIN060614 | 6" Snap-in Bin | 2 |
| 6 | DC6 | 6" Drawer Component | 3 |
| 7 | DC12 | 12" Drawer Component | 1 |
| 8 | DV14C8 | Divider kit of 8 | 1 |
| 9 | UH50 | 5" Hook | 2 |
| 10 | AD28PMC | ADseries Shelf 28" | 1 |
| 11 | DK32TC | Door Kit | 1 |
| 12 | 19 | 2 Drawer Medium | 1 |



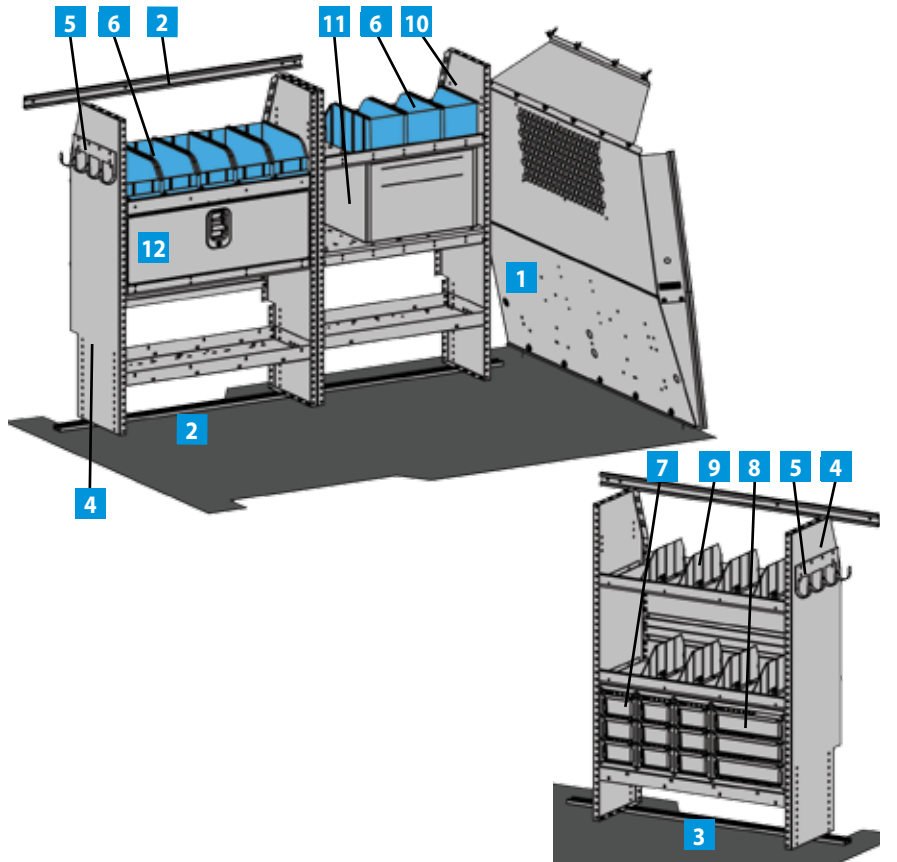
**5096PMC
PLUMBING PACKAGE
14" ADseries SHELVING
ProMaster City**

| ITEM | MODEL | DESCRIPTION | QTY |
|------|------------|----------------------------|-----|
| 1 | P2PMCS15 | Steel Partition | 1 |
| 2 | RK72PMC | Rail Kit-double streetside | 1 |
| 3 | RKPMC | Rail Kit | 1 |
| 4 | AD32PMC | ADseries Shelf 32" | 2 |
| 5 | SBIN060614 | 6" Snap-in Bin | 10 |
| 6 | 919 | Drawer Unit | 1 |
| 7 | DC6 | 6" Drawer Component | 5 |
| 8 | UH50 | 5" Hook | 2 |
| 9 | DC12 | 12" Drawer Component | 1 |
| 10 | AD28PMC | ADseries Shelf 28" | 1 |
| 11 | 9 | 4 Drawer Shallow | 1 |
| 12 | SRAILAD32 | Bin Retention Rail 32" | 2 |
| 13 | BAGSRAIL | Fastener Bag | 1 |



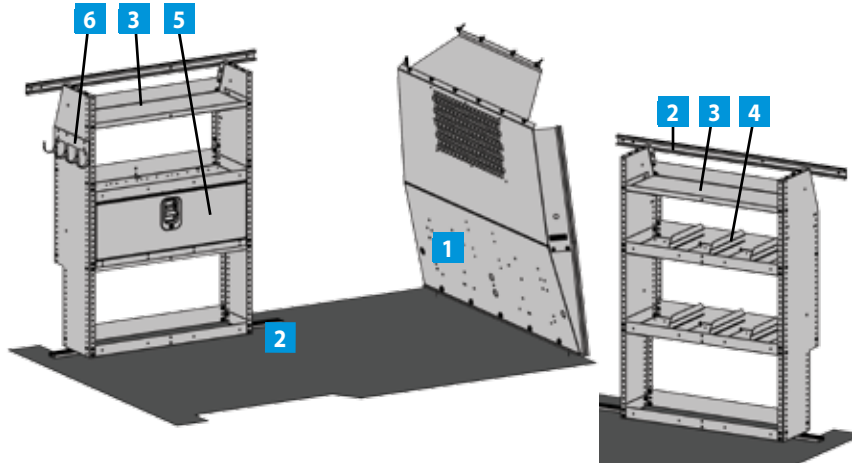
**5099PMC
ELECTRICAL PACKAGE
14" ADseries SHELVING
ProMaster City**

| ITEM | MODEL | DESCRIPTION | QTY |
|------|------------|-----------------------------|-----|
| 1 | P2PMCS15 | Steel Partition | 1 |
| 2 | RK72PMC | Rail Kit- double streetside | 1 |
| 3 | RKPMC | Rail Kit-curbside | 1 |
| 4 | AD32PMC | ADseries Shelf 32" | 2 |
| 5 | TA1 | Four Hook Bar | 2 |
| 6 | SBIN060614 | 6" Snap-in Bin | 8 |
| 7 | DC6 | 6" Drawer Component | 3 |
| 8 | DC12 | 12" Drawer Component | 1 |
| 9 | DV14C8 | Divider kit of 8 | 1 |
| 10 | AD28PMC | ADseries Shelf 28" | 1 |
| 11 | 919 | 3 Drawer Combo | 1 |
| 12 | DK32TC | Door Kit | 1 |
| 13 | SRAILAD32 | Bin Retention Rail 32" | 1 |
| 14 | BAGSRAIL | Fastener Bag | 1 |



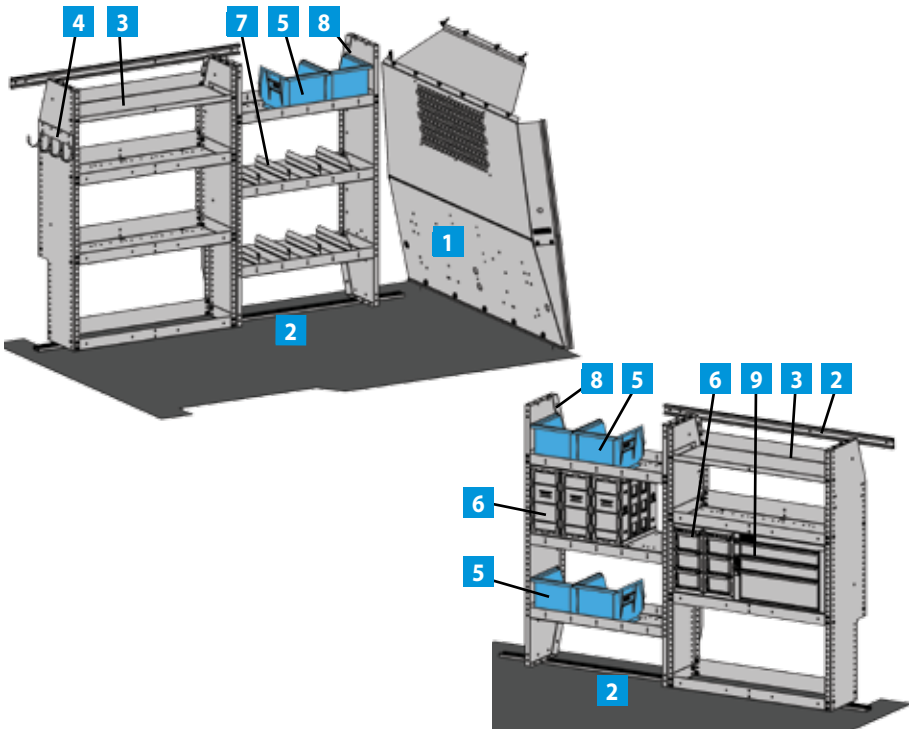
**5082PMC
COMMERCIAL SHELVING PACKAGE
12" HD SERIES SHELVING
ProMaster City**

| ITEM | MODEL | DESCRIPTION | QTY |
|------|----------|------------------|-----|
| 1 | P2PMCS15 | Steel Partition | 1 |
| 2 | RKPMC | Rail Kit | 2 |
| 3 | HD32TC | HD Shelf 12"x32" | 2 |
| 4 | DV12 | Dividers | 6 |
| 5 | DK32TC | Door Kit | 1 |
| 6 | TA1 | Four Hook Bar | 1 |



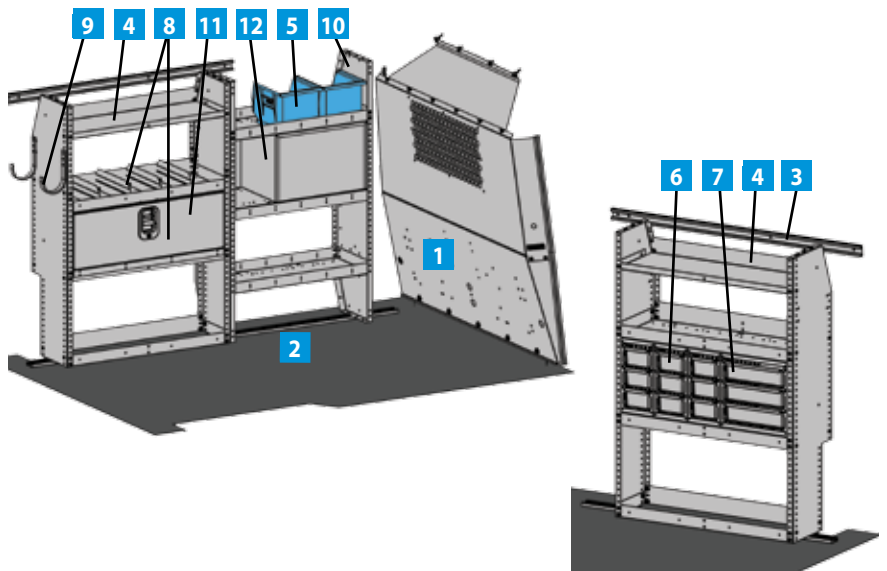
**5084PMC
GENERAL SERVICE PACKAGE
12" HD SERIES SHELVING
ProMaster City**

| ITEM | MODEL | DESCRIPTION | QTY |
|------|----------|---------------------|-----|
| 1 | P2PMCS15 | Steel Partition | 1 |
| 2 | RK72PMC | Rail Kit- double | 2 |
| 3 | HD32TC | HD Shelf 12"x32" | 2 |
| 4 | TA1 | Four Hook Bar | 1 |
| 5 | 28 | Blue Bin | 6 |
| 6 | DC6 | 6" Drawer Component | 5 |
| 7 | DV12 | Dividers | 8 |
| 8 | HD-28NV2 | HD Shelf 12"x28" | 2 |
| 9 | 919 | 3 Drawer Combo | 1 |



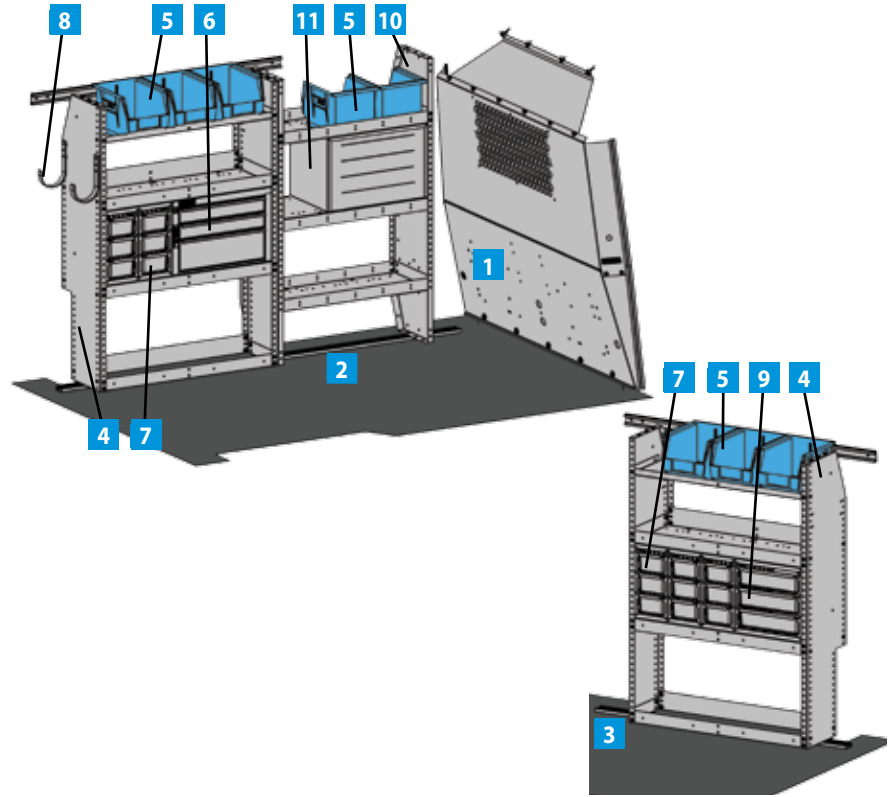
**5081PMC
TELECOMMUNICATIONS PACKAGE
12" HD SERIES SHELVING
ProMaster City**

| ITEM | MODEL | DESCRIPTION | QTY |
|------|----------|-----------------------------|-----|
| 1 | P2PMCS15 | Steel Partition | 1 |
| 2 | RK72PMC | Rail Kit- double streetside | 1 |
| 3 | RKPMC | Rail Kit | 1 |
| 4 | HD32TC | HD Shelf 12"x32" | 2 |
| 5 | 28 | Blue Bin | 2 |
| 6 | DC6 | 6" Drawer Component | 3 |
| 7 | DC12 | 12" Drawer Component | 1 |
| 8 | DV12 | Dividers | 8 |
| 9 | UH50 | 5" Hook | 2 |
| 10 | HD-28NV2 | HD Shelf 12"x28" | 1 |
| 11 | DK32TC | Door Kit | 1 |
| 12 | 19 | 2 Drawer Medium | 1 |



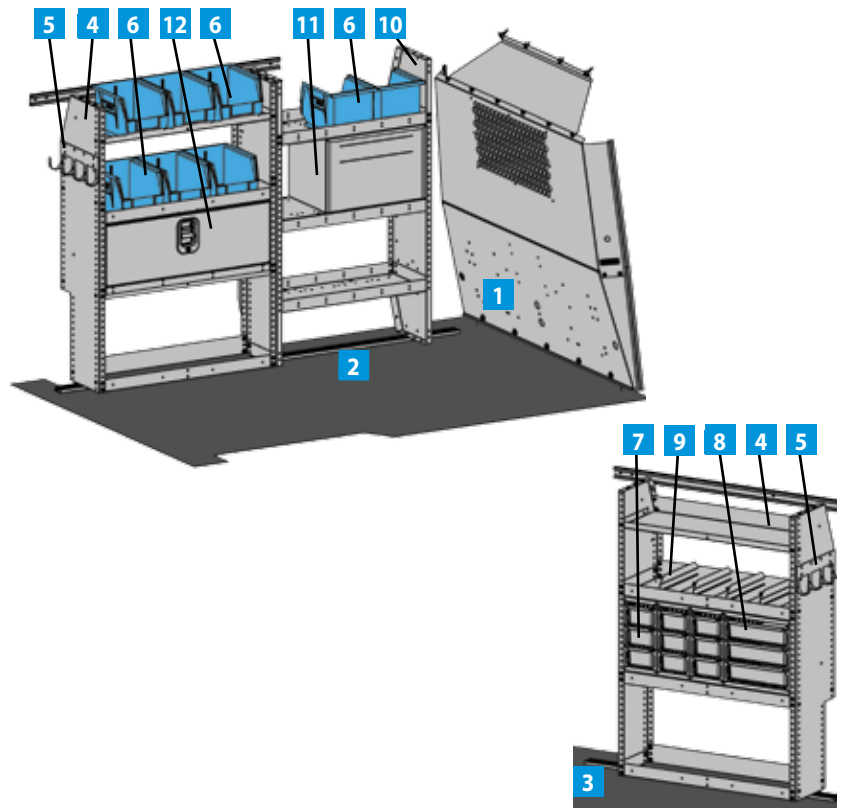
**5080PMC
PLUMBING PACKAGE
12" HD SERIES SHELVEING
ProMaster City**

| ITEM | MODEL | DESCRIPTION | QTY |
|------|----------|----------------------------|-----|
| 1 | P2PMCS15 | Steel Partition | 1 |
| 2 | RK72PMC | Rail Kit-double streetside | 1 |
| 3 | RKPMC | Rail Kit | 1 |
| 4 | HD32TC | HD Shelf 12"x32" | 2 |
| 5 | 28 | Blue Bin | 8 |
| 6 | 919 | Drawer Unit | 1 |
| 7 | DC6 | 6" Drawer Component | 5 |
| 8 | UH50 | 5" Hook | 2 |
| 9 | DC12 | 12" Drawer Component | 1 |
| 10 | HD-28NV2 | HD Shelf 12"x28 | 1 |
| 11 | 9 | 4 Drawer Shallow | 1 |



**5083PMC
ELECTRICAL PACKAGE
12" HD SERIES SHELVEING
ProMaster City**

| ITEM | MODEL | DESCRIPTION | QTY |
|------|----------|----------------------------|-----|
| 1 | P2PMCS15 | Steel Partition | 1 |
| 2 | RK72PMC | Rail Kit-double streetside | 1 |
| 3 | RKPMC | Rail Kit | 1 |
| 4 | HD32TC | HD Shelf 12"x32" | 2 |
| 5 | TA1 | Four Hook Bar | 2 |
| 6 | 28 | Blue Bin | 8 |
| 7 | DC6 | 6" Drawer Component | 3 |
| 8 | DC12 | 12" Drawer Component | 1 |
| 9 | DV12 | Dividers | 4 |
| 10 | HD-28NV2 | HD Shelf 12"x28 | 1 |
| 11 | 919 | 3 Drawer Combo | 1 |
| 12 | DK32TC | Door Kit | 1 |



Partitions

| | |
|----------------|---|
| Accessories | 5 |
| ProMaster | 4 |
| ProMaster City | 5 |

Racks

| | |
|-----------|----|
| Grip-Lock | 13 |
| LoadsRite | 12 |
| Utility | 13 |

Shelving

| | |
|------------|---|
| Adjustable | 6 |
| ADseries | 7 |

| | |
|---------------------|----|
| Blue Bins | 10 |
| Cabinet Modules | 8 |
| Drawer Units | 9 |
| Files - Driver Data | 4 |
| Files - Literature | 10 |
| Floor Drawers | 10 |
| Reel Holders | 11 |
| Van Accessories | 11 |
| Window Screens | 11 |

Trade Packages - ProMaster 136" WB

| | |
|-----------------|----|
| Cable | 16 |
| Electrical | 15 |
| General Service | 14 |
| Locksmith | 14 |
| Security | 16 |
| HVAC | 16 |

Trade Packages - ProMaster 159" WB

| | |
|-----------------|----|
| Cable | 19 |
| Electrical | 18 |
| General Service | 18 |
| Locksmith | 14 |
| Security | 19 |
| HVAC | 19 |

Trade Packages - ProMaster City

ADseries Packages

| | |
|-----------------------|----|
| Base Packages | 20 |
| Commercial Shelving | 22 |
| Electrical Contractor | 23 |
| General Service | 22 |
| Plumbing | 23 |
| Shelving Packages | 21 |
| Telecommunications | 22 |

HD Series Packages

| | |
|-----------------------|----|
| Base Packages | 20 |
| Commercial Shelving | 24 |
| Electrical Contractor | 25 |
| General Service | 24 |
| Plumbing | 25 |
| Shelving Packages | 21 |
| Telecommunications | 24 |

| MODEL | PAGE | DESCRIPTION | MODEL | PAGE | DESCRIPTION | MODEL | PAGE | DESCRIPTION |
|------------|------|-----------------------------|------------|------|-----------------------------|------------|------|------------------------------|
| ACT3 | 11 | Aerosol Can Tray | PMLR-SWS61 | 12 | LoadsRite PM Std. Roof 118" | 4B | 11 | Parts Tray |
| ACT4 | 11 | Aerosol Can Tray | PMLR-SWS63 | 12 | LoadsRite PM Std. Roof 118" | 8 | 9 | Drawer Unit |
| AD28PMC | 7 | ADseries shelf 28" | PMLRRKLWB | 12 | LoadsRite Rail Kit 159" | 9 | 9 | Drawer Unit |
| AD32PMC | 7 | ADseries shelf 32" | PMLRRKMWB | 12 | LoadsRite Rail Kit 136" | 12 | 8 | Cabinet |
| AFD181236 | 10 | Aluminum Floor Drawer | PMLRRKSWB | 12 | LoadsRite Rail Kit 118" | 12A | 8 | End Panel |
| AFD241224 | 10 | Aluminum Floor Drawer | PMLRRKXLWB | 12 | LoadsRite Rail Kit 159X" | 14 | 11 | Step Stool |
| AFD241236 | 10 | Aluminum Floor Drawer | RKA1 | 7 | Rail Kit Adapter | 17A | 10 | Six Shelf Catalog File |
| BH4 | 10 | Binder Holder | RKA3 | 7 | Rail Kit Adapter | 19 | 9 | Drawer Unit |
| BR36212 | 10 | Bin System | RKA4 | 7 | Rail Kit Adapter | 25 | 9 | Divider/#2 |
| BR76012 | 10 | Bin System | RKA919 | 7 | Rail Kit Adapter | 26 | 9 | Divider/#8 |
| BRK14EPS | 7 | End Panel Bracket | RKABRK1 | 7 | Rail Kit Adapter | 27 | 9 | Divider/#19 |
| CB2 | 10 | Two Book File | RKABRK2 | 7 | Rail Kit Adapter | 43 | 10 | Three Shelf Catalog File |
| CB3 | 10 | Catalog File | RK72PMC | 7 | Rail Kit 72" Pro City | 60-129 | 11 | Window Screen-PM |
| CB4 | 10 | Utility Storage Box | RKPMC | 7 | Rail Kit - Pro City | 60-131 | 11 | Window Screen-PM |
| CB5 | 10 | Literature Holder | RKPMLWB | 7 | Rail Kit 159" WB PM | 60-PM-MLXW | 11 | Window Screen Kit-PM |
| CB7 | 10 | Literature Holder | RKPMMWB | 7 | Rail Kit 136" WB PM | 60-PM-SWB | 11 | Window Screen |
| CL1446D | 8 | Cabinet Locker | RKPMXLWB | 7 | Rail Kit 159" ext WB PM | 60-PMCRD | 11 | Window Screen - Pro City |
| CL1446R | 8 | Cabinet Locker | RKPSWB | 7 | Rail Kit 118" WB PM | 60-PMCS | 11 | Window Screen - Pro City |
| CRH2 | 11 | Cable Reel Holder | S1M1C1PM | 4 | Partition PM | 61-PMC | 13 | Single Grip-Lock Rack-PMC |
| DC6 | 9 | Drawer Component | S1M1HC1PM | 4 | Partition PM | 61-TCSSUR | 13 | Utility Rack add-on, PMC |
| DC12 | 9 | Drawer Component | S1M2C2PM | 4 | Partition PM | 63-PMC | 13 | Double Grip-Lock Rack-PMC |
| DDF-E10PM | 4 | Driver Data File PM | S1M2HC2PM | 4 | Partition PM | 80-1 | 13 | 10' Aluminum Conduit Carrier |
| DK3008 | 7 | 8" Door Kit/HAD3259 | SBIN060614 | 10 | 6" Plastic Bin | 80-2 | 13 | 12' Aluminum Conduit Carrier |
| DK3010 | 7 | 10" Door Kit/HAD3259 | SBIN120614 | 10 | 12" Plastic Bin | 88-118PM | 11 | Work Mat PM 118" |
| DK4208 | 7 | 8" Door Kit/HAD4459 | SBINDIV | 10 | Plastic Bin Divider | 88-136PM | 11 | Work Mat PM 136" |
| DK4210 | 7 | 10" Door Kit/HAD4459 | SPT-4 | 9 | SP Tote/Combo | 88-159EXPM | 11 | Work Mat PM 159" EXT |
| DK4808 | 7 | 8" Door Kit/HAD5059 | SPT-4P | 9 | SP Tote/Poly | 88-159PM | 11 | Work Mat PM 159" |
| DK4810 | 7 | 10" Door Kit/HAD5059 | SPT-4S | 9 | SP Tote/Steel | 89-PM136 | 11 | Composite Floor PM 136" |
| DS06112V | 9 | Drawer System | SPT-S | 9 | SPT Steel Tray | 89-PM159 | 11 | Composite Floor PM 159" |
| DS36012H | 9 | Drawer System | SPT-P | 9 | SPT Poly Tote | 919 | 9 | Drawer Unit |
| DS46012 | 9 | Drawer System | SRAILAD26 | 10 | Bin Retention Rail 26" | 4959PMC | 20 | Base AD Pkg Pro City |
| DST21 | 11 | Door Storage Tray | SRAILAD32 | 10 | Bin Retention Rail 32" | 4960PMC | 20 | Base AD Pkg Pro City |
| DT21 | 11 | Door Tray | SRAILAD44 | 10 | Bin Retention Rail 44" | 4961PMC | 20 | PMC Pkg with Steel Part. |
| DTL21 | 11 | Door Tray Lid | SRAILAD50 | 10 | Bin Retention Rail 50" | 4962PMC | 20 | PMC Pkg with Wire Part. |
| DTWL21 | 11 | Door Tray w/Lid | STP12G | 11 | Paint, Gray | 4964PMC | 21 | AD Shelving Pkg Pro City |
| DV12 | 7 | Divider | STP12W | 11 | Paint, White | 4965PMC | 21 | HD Shelving Pkg Pro City |
| DV14 | 7 | Divider | STP12B | 11 | Paint, Black | 4966PMC | 21 | AD Shelving Pkg Pro City |
| DV14C1 | 7 | Divider, Single | TA1 | 5,11 | Hook Bar | 4967PMC | 21 | HD Shelving Pkg Pro City |
| DV14C8 | 7 | Divider, 8 Pack | TA2 | 11 | Hard Hat Holder | 5080PMC | 24 | Plumbing Pkg PMC |
| HAD3259 | 6,7 | HAD Shelf 32" | TA18 | 8 | Propane Tank Cab. | 5081PMC | 24 | Telecom Pkg PMC |
| HAD4459 | 6,7 | HAD Shelf 44" | TA19 | 8 | CO2 Tank Cabinet | 5082PMC | 24 | Comm Shelving Pkg PMC |
| HAD5059 | 6,7 | HAD Shelf 50" | TA20 | 8 | Mapp Gas Cabinet | 5083PMC | 25 | Electrical Pkg PMC |
| HD3259 | 6 | HD Shelf 32" | TH30 | 5 | Tank Holder 30 lb | 5084PMC | 25 | Gen Service Pkg PMC |
| HD32TC | 6 | HD Shelf 32" | TH50 | 5 | Tank Holder 50 lb | 5096PMC | 23 | Plumbing Pkg Pro City |
| HD4459 | 6 | HD Shelf 44" | UH10 | 11 | Utility Hook | 5097PMC | 22 | Telecom Pkg Pro City |
| HD5059 | 6 | HD Shelf 50" | UH25 | 11 | Utility Hook | 5098PMC | 22 | Shelving Pkg Pro City |
| HD-28NV2 | 6 | HD Shelf 28" | UH50 | 11 | Utility Hook | 5099PMC | 23 | Plumbing Pkg Pro City |
| KDRH1426 | 11 | End Panel Reel Holder | VMA36 | 11 | Vice Mount Assembly | 5100PMC | 22 | Gen Svc Pkg Pro City |
| KDRH1432 | 11 | End Panel Reel Holder | WKC1PM | 4 | Wing Kit - PM | 5180 | 14 | Gen Svc Pkg. PM 136" |
| KDRH1444 | 11 | End Panel Reel Holder | WKC1PM3 | 4 | Wing Kit - PM | 5181 | 15 | Elect Contr Pkg. PM 136" |
| KDRH1450 | 11 | End Panel Reel Holder | WKC1PMR | 4 | Wing Kit - PM | 5182 | 16 | Security Pkg. PM 136" |
| KDRH2 | 11 | Reel Holder | WKC1PMR3 | 4 | Wing Kit - PM | 5183 | 17 | Cable Pkg. PM 136" |
| P2PMCFW15 | 5 | Wire Partiton - PMC | WRH5 | 11 | Wire Reel Holder | 5184 | 17 | HVAC Pkg. PM 136" |
| P1PMCS15 | 5 | Solid Steel Partition - PMC | 1 | 8 | Cabinet | 5185 | 18 | Gen Svc Pkg. PM 159" |
| P2PMCS15 | 5 | Perf Steel Partition - PMC | 1A | 8 | Shelf | 5186 | 18 | Elect Contr Pkg. PM 159" |
| PA10 | 5 | Practice Holder | 1BARRPM-B | 13 | Crossbar/Black | 5187 | 19 | Security Pkg. PM 159" |
| PA5-SPR | 5 | Plexiglass Cover Panel | 1BARRPM-W | 13 | Crossbar/White | 5188 | 19 | Cable Pkg. PM 159" |
| PA7 | 5 | Triangle Reflector Kit | 1BPMCGL | 13 | Crossbar - Pro City | 5189 | 19 | HVAC Pkg. PM 159" |
| PA8 | 5 | Fire Extinguisher | 2 | 9 | Drawer Unit | 5274 | 14 | Locksmith Pkg. 136", 159" |
| PA9 | 5 | First Aid Box Tray | 2BARRPM-B | 13 | 2 Bar Utility Rack | 35325-G | 7 | 32" ADseries Add-on Shelf |
| PDK2 | 5 | Partition Door Kit | 2BARRPM-W | 13 | 2 Bar Utility Rack | 35327-G | 7 | 44" ADseries Add-on Shelf |
| PMLR-H61 | 12 | LoadsRite PM High Roof | 3BARRPM-B | 13 | 3 Bar Utility Rack | 35328-G | 7 | 50" ADseries Add-on Shelf |
| PMLR-H63 | 12 | LoadsRite PM High Roof | 3BARRPM-W | 13 | 3 Bar Utility Rack | | | |
| PMLR-LWS61 | 12 | LoadsRite PM Std. Roof | 2BPMC | 13 | Utility Rack Pro City | | | |
| PMLR-LWS63 | 12 | LoadsRite PM Std. Roof | 4A | 11 | Parts Tray | | | |

ADRIAN STEEL COMPANY



QUALITY

- Our products are durable and reliable. Warranty claims are less than 1% of sales.
- Our warranty covers our products for three years or 36,000 miles.

INNOVATIVE PRODUCTS WITH FEATURES THAT MATTER

- Drawers that stay closed while in transit.
- ADseries truly adjustable shelving platform.
- LoadsRite ladder racks that load and unload the safe and right way.
- Trade specific interiors.
- Plug and Play accessories.
- File storage, removable small parts bins, and much more!



COMMITMENT

At Adrian Steel, we are committed to you beyond the upfit!

- A dedicated Customer Care Team at corporate headquarters.
- A network of highly qualified distributors to support you locally.
- Our commitment to provide the best cargo management solutions in North America.

EXPERIENCE

- **Over One Million vans upfitted**, and counting! It's a fact that an organized vehicle increases work flow efficiencies and reduces inventory damages.
- Recognized as a National Truck Equipment Association MVP.



SERVICE

- Adrian Steel Products can be purchased throughout North America at authorized Adrian Steel distributors.
- Adrian Steel Customer Service Representatives are available M-F, 8am - 5pm EST at **1-800-677-2726**.
- E-mail us at info@adriansteel.com with questions, comments and feedback.
- Visit AdrianSteel.com for the most up-to-date product information, distributor locator, product catalogs, videos and more.

PROUDLY DISTRIBUTED BY:



906 James Street
Adrian, Michigan 49221-3996
517-265-6194 Fax: 517-265-5834
Toll Free **800-677-2726**
adriansteel.com info@adriansteel.com